



US00D447258B1

(12) **United States Design Patent**
Zeller

(10) **Patent No.:** **US D447,258 S**

(45) **Date of Patent:** **** Aug. 28, 2001**

(54) **FLASHLIGHT**

D. 404,155 * 1/1999 Maddox D26/37

* cited by examiner

(76) Inventor: **Noel E. Zeller**, c/o Zelco Industries,
Inc., 65 Haven Ave., Mount Vernon, NY
(US) 10553-4445

Primary Examiner—Marcus A. Jackson
(74) *Attorney, Agent, or Firm*—Cooper & Dunham LLP;
Donald S. Dowden

(**) Term: **14 Years**

(57) **CLAIM**

(21) Appl. No.: **29/128,198**

The ornamental design for a flashlight, as shown and described.

(22) Filed: **Aug. 18, 2000**

(51) **LOC (7) Cl.** **26-02**

(52) **U.S. Cl.** **D26/37**

(58) **Field of Search** D26/37-50; 362/157,
362/158, 183-208

DESCRIPTION

FIG. 1 is a front view of a flashlight showing my new design, with the broken line showing for illustrative purposes only and forming no part of the claimed design;

FIG. 2 is a top view thereof;

FIG. 3 is a bottom view thereof;

FIG. 4 is a right side view thereof;

FIG. 5 is a left side view thereof; and,

FIG. 6 is a rear view thereof.

(56) **References Cited**

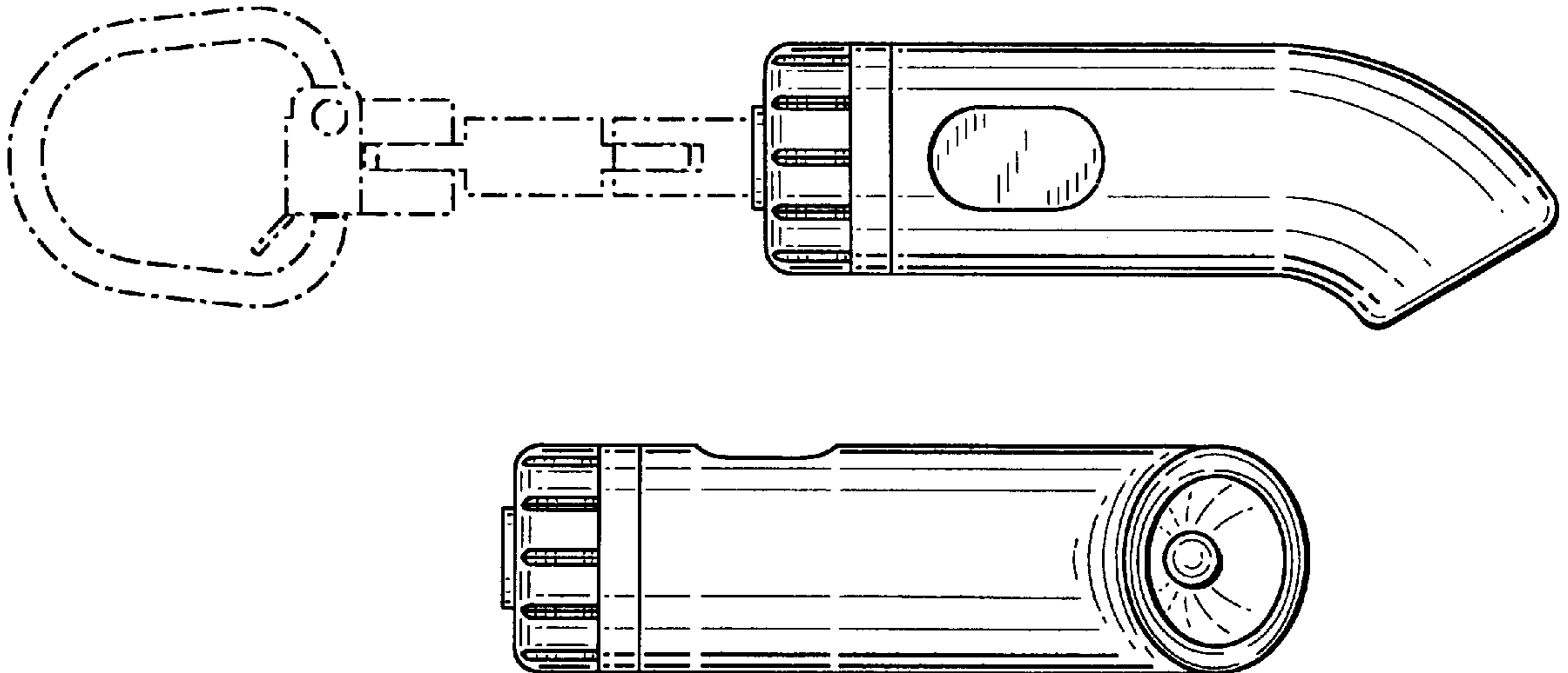
U.S. PATENT DOCUMENTS

D. 402,068 * 12/1998 Parker D26/37

D. 403,450 * 12/1998 Ting D26/37

D. 403,451 * 12/1998 Ting D26/37

1 Claim, 1 Drawing Sheet



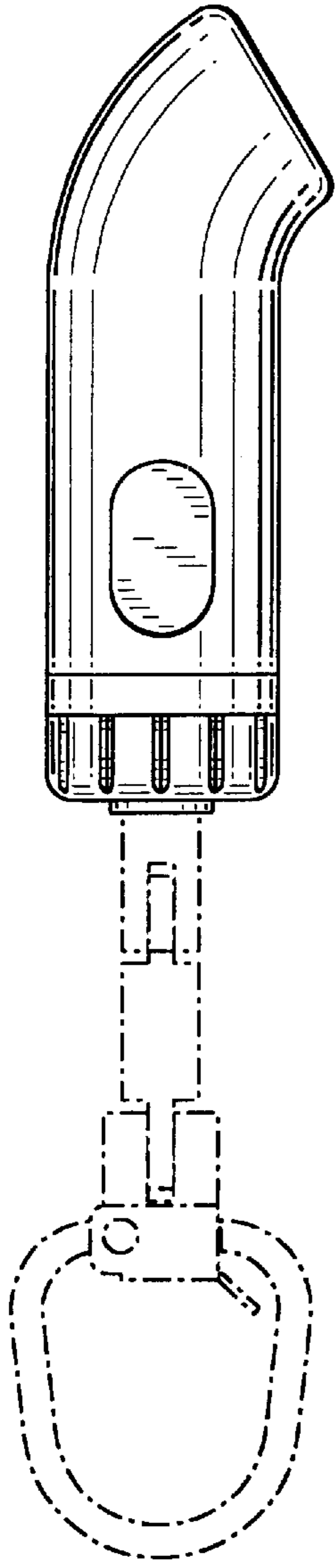


FIG. 1

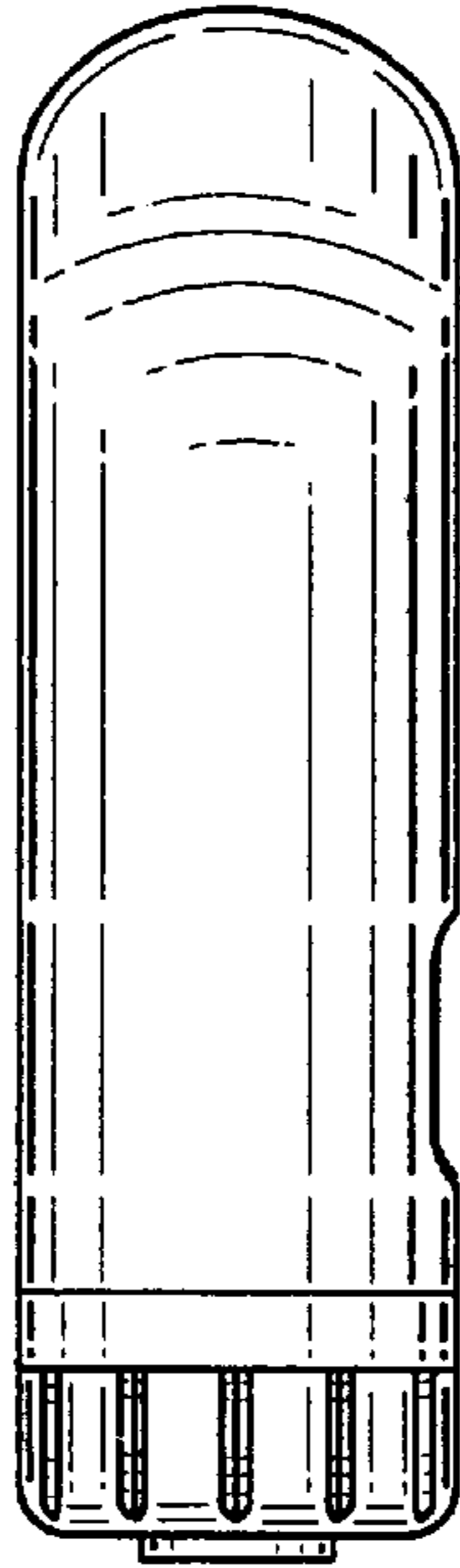


FIG. 2

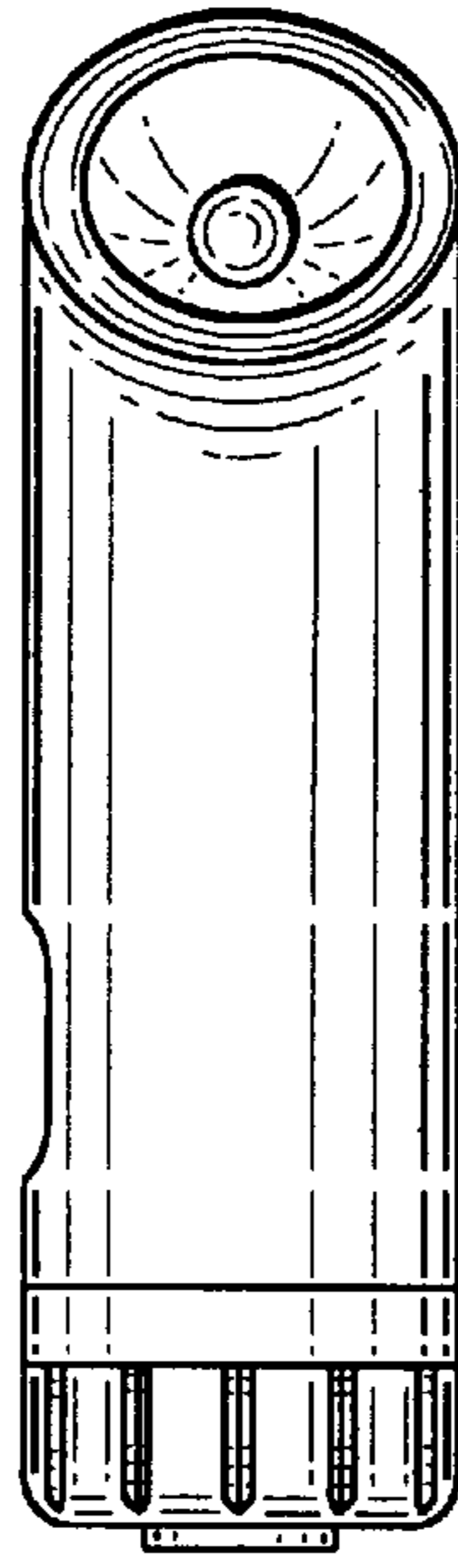


FIG. 3

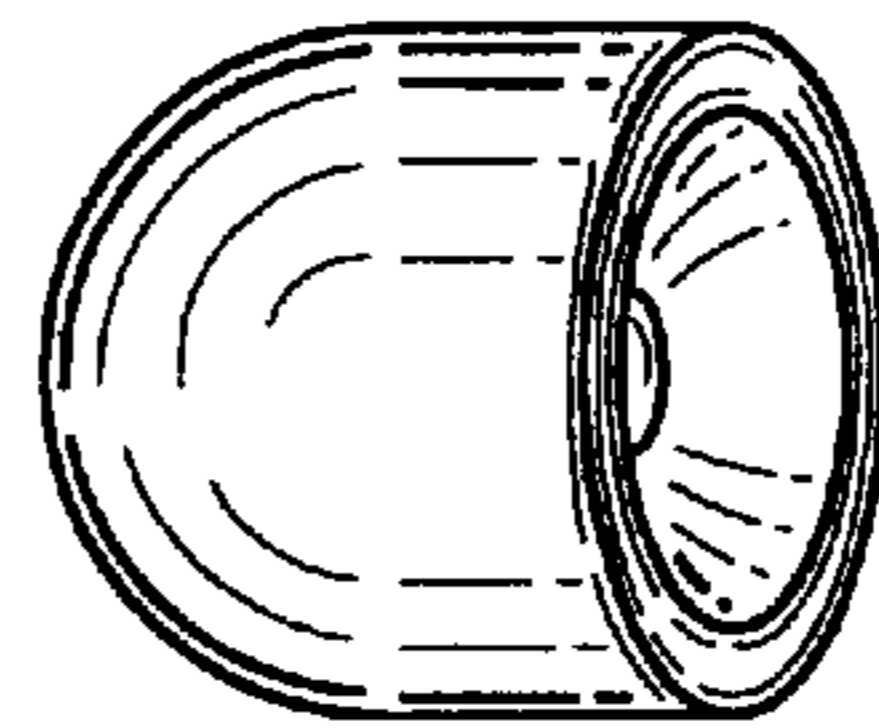


FIG. 4

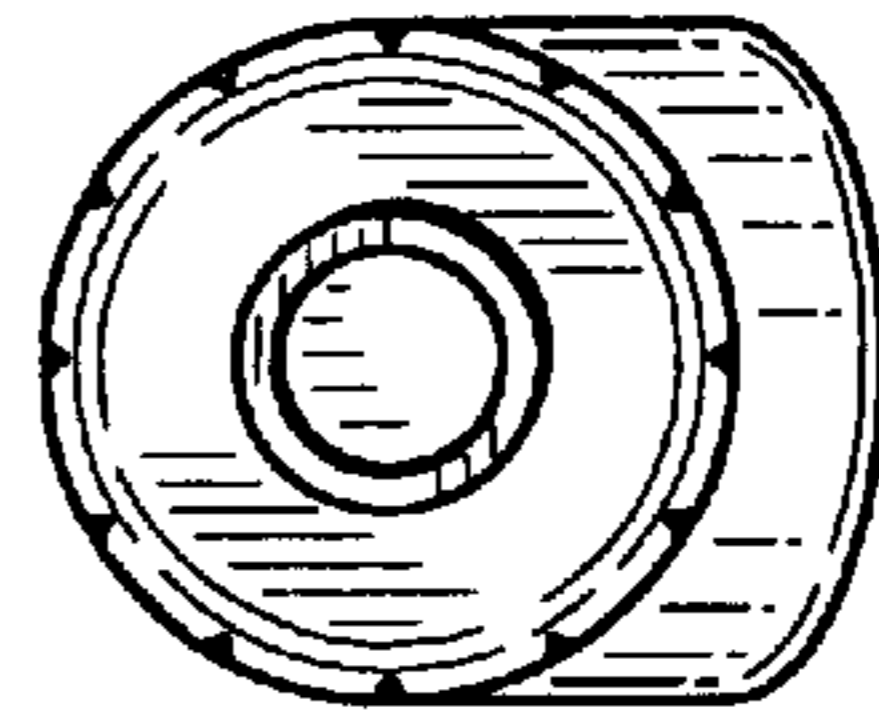


FIG. 5

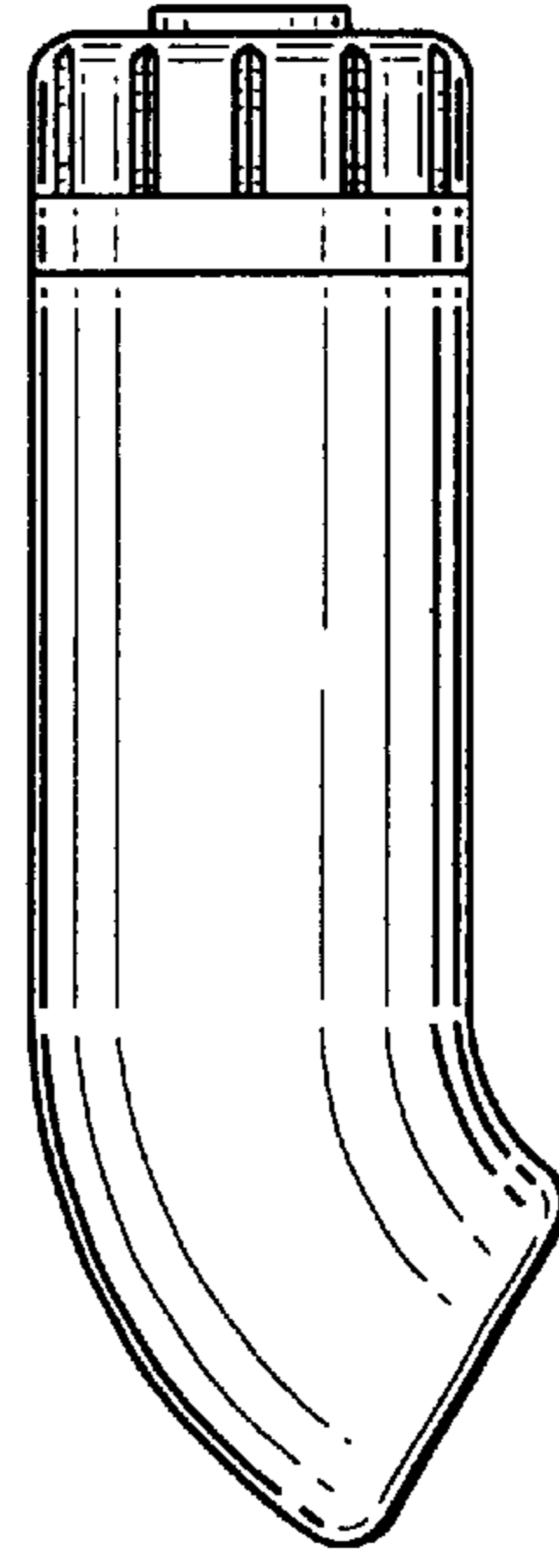


FIG. 6