



US00D447254B1

(12) **United States Design Patent**  
**Takeuchi**

(10) **Patent No.:** **US D447,254 S**

(45) **Date of Patent:** **\*\* Aug. 28, 2001**

(54) **FLUORESCENT LAMP**

(75) **Inventor:** **Eiki Takeuchi, Yokosuka (JP)**

(73) **Assignee:** **Toshiba Lighting & Technology Corporation, Tokyo (JP)**

(\*\*) **Term:** **14 Years**

(21) **Appl. No.:** **29/128,103**

(22) **Filed:** **Aug. 18, 2000**

(30) **Foreign Application Priority Data**

Mar. 29, 2000 (JP) ..... 12-007762

(51) **LOC (7) Cl.** ..... **26-04**

(52) **U.S. Cl.** ..... **D26/3**

(58) **Field of Search** ..... D26/1, 2, 3, 26;  
313/313, 315, 318, 493; 315/53, 56, 57,  
58

(56) **References Cited**

**U.S. PATENT DOCUMENTS**

- D. 284,793 7/1986 Engel .
- D. 291,358 8/1987 Witte .
- D. 302,861 8/1989 Tayama .
- D. 304,377 10/1989 Fujita et al. .
- D. 334,244 3/1993 Shaffer et al. .
- D. 334,245 3/1993 Blaisdell et al. .
- D. 346,456 4/1994 Matsumura et al. .
- D. 366,705 1/1996 Yang .
- D. 372,992 8/1996 Martich et al. .
- D. 379,673 6/1997 Sangen et al. .

- D. 414,569 9/1999 Kato et al. .
- D. 414,883 \* 10/1999 Kato et al. .... D26/3
- D. 417,296 \* 11/1999 Kato et al. .... D26/3
- D. 422,371 \* 4/2000 Kato et al. .... D26/3
- D. 426,324 6/2000 Gunsagar et al. .

**FOREIGN PATENT DOCUMENTS**

D425502 7/2000 (JP) .

\* cited by examiner

*Primary Examiner*—Marcus A. Jackson

(74) *Attorney, Agent, or Firm*—Oblon, Spivak, McClelland, Maier & Neustadt, P.C.

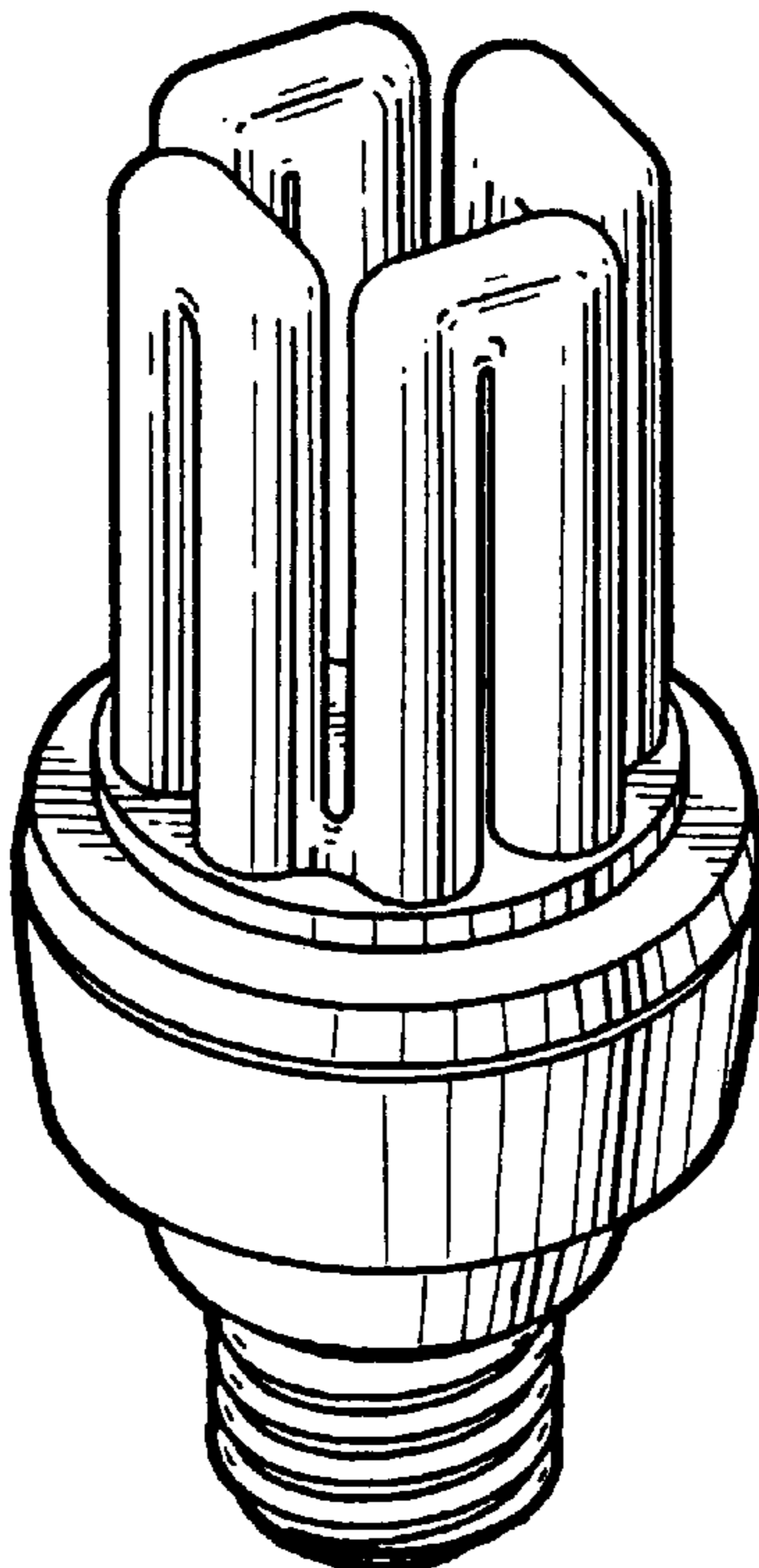
(57) **CLAIM**

The ornamental design for a fluorescent lamp, as shown and described.

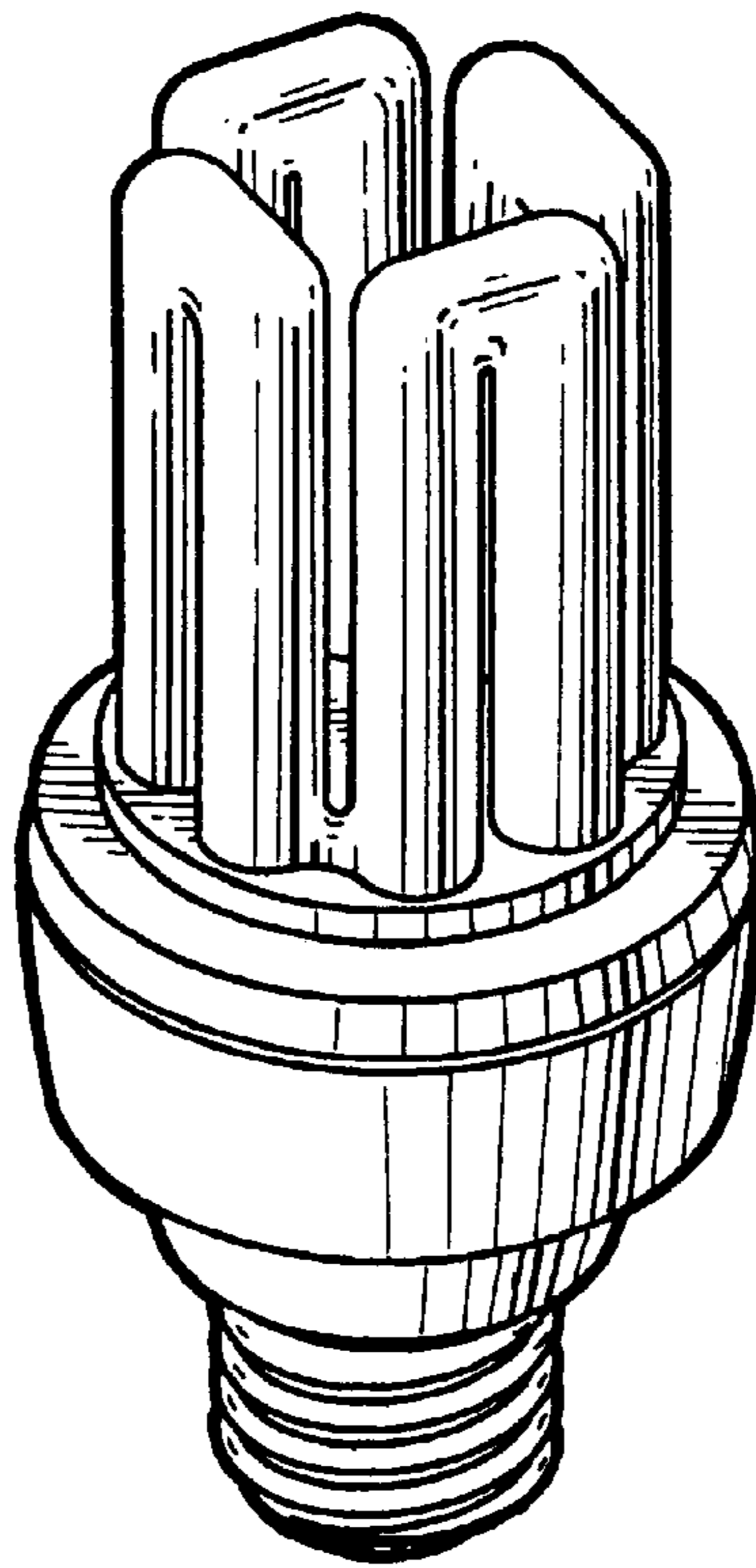
**DESCRIPTION**

FIG. 1 is a top and right front perspective view of a fluorescent lamp showing my design;  
 FIG. 2 is a front elevational view thereof;  
 FIG. 3 is a top plan view thereof;  
 FIG. 4 is a bottom plan view thereof;  
 FIG. 5 is a right side elevational view thereof;  
 FIG. 6 is a left side elevational view thereof;  
 FIG. 7 is a rear elevational view thereof;  
 FIG. 8 is a cross-sectional view thereof taken along lines A—A in FIG. 2; and,  
 FIG. 9 is a cross-sectional view thereof taken along lines B—B in FIG. 2.

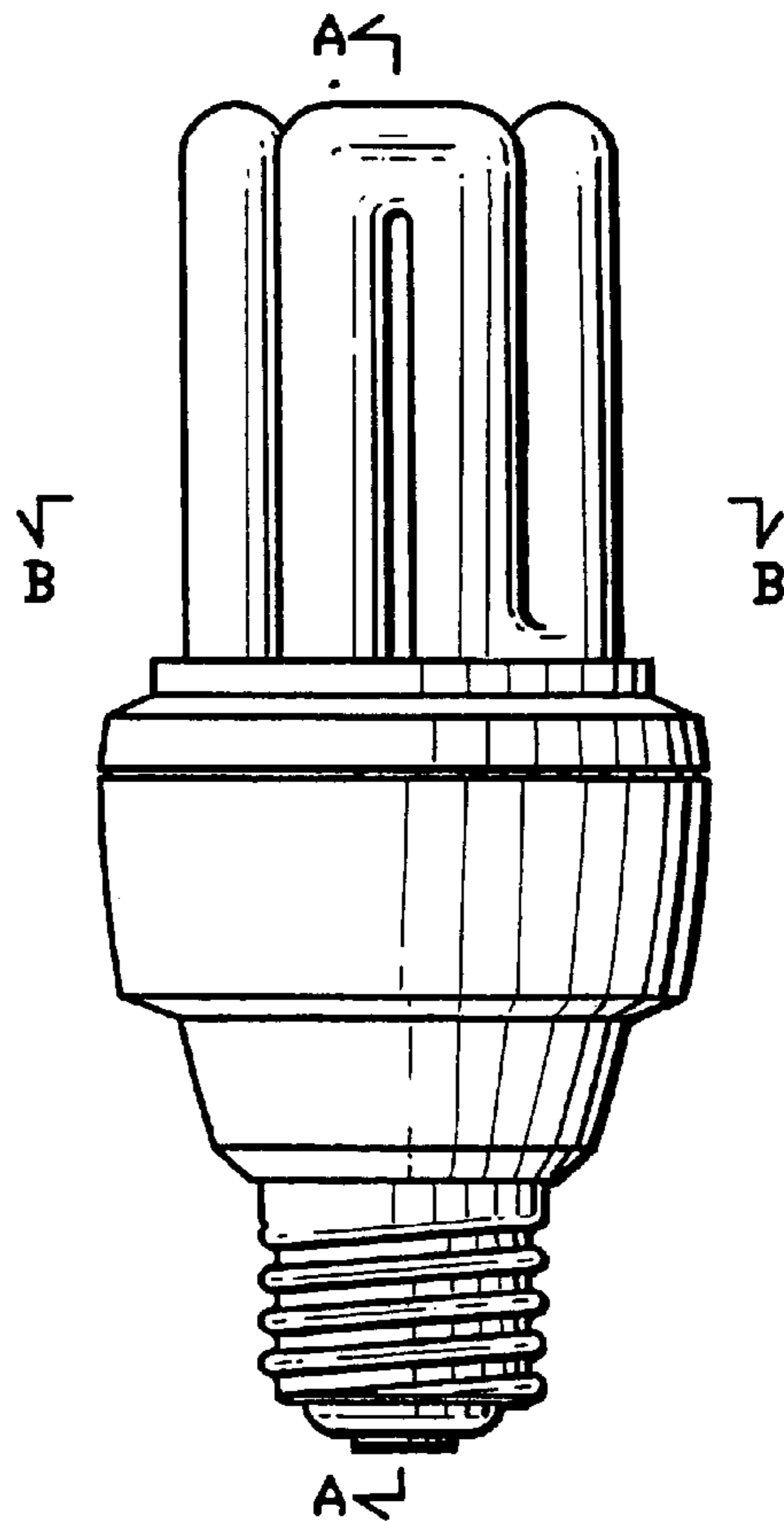
**1 Claim, 5 Drawing Sheets**



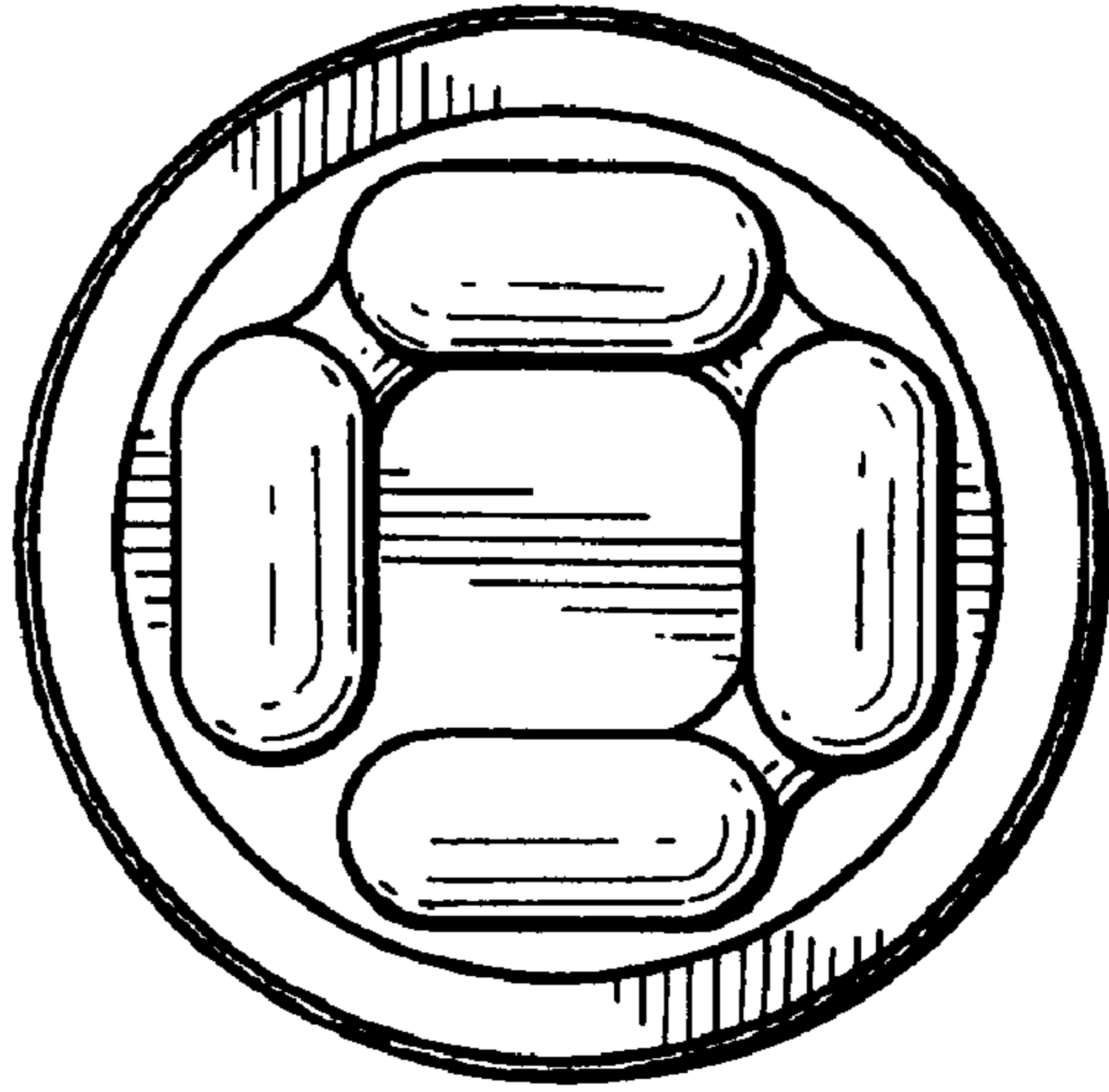
*FIG. 1*



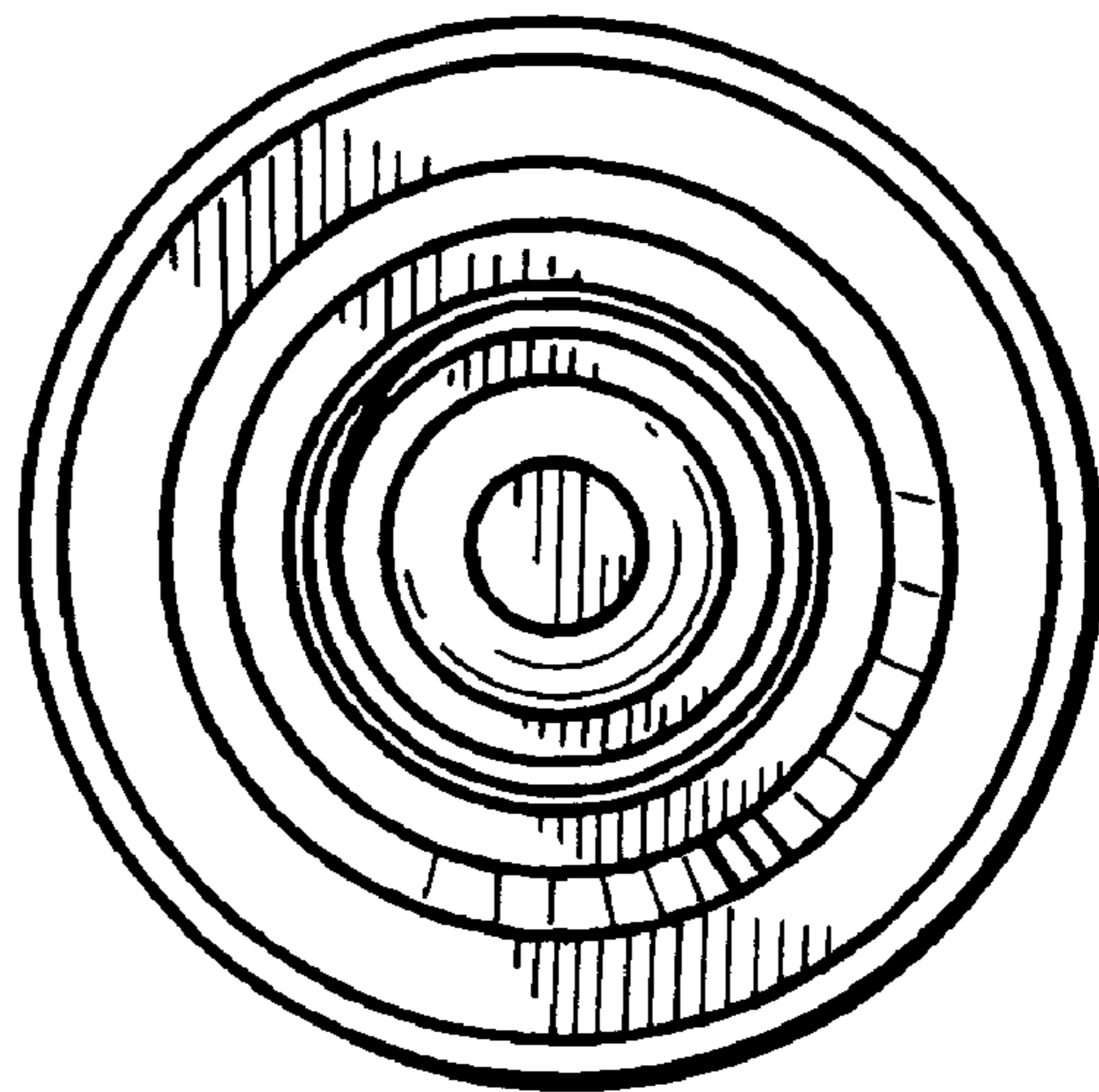
*FIG. 2*



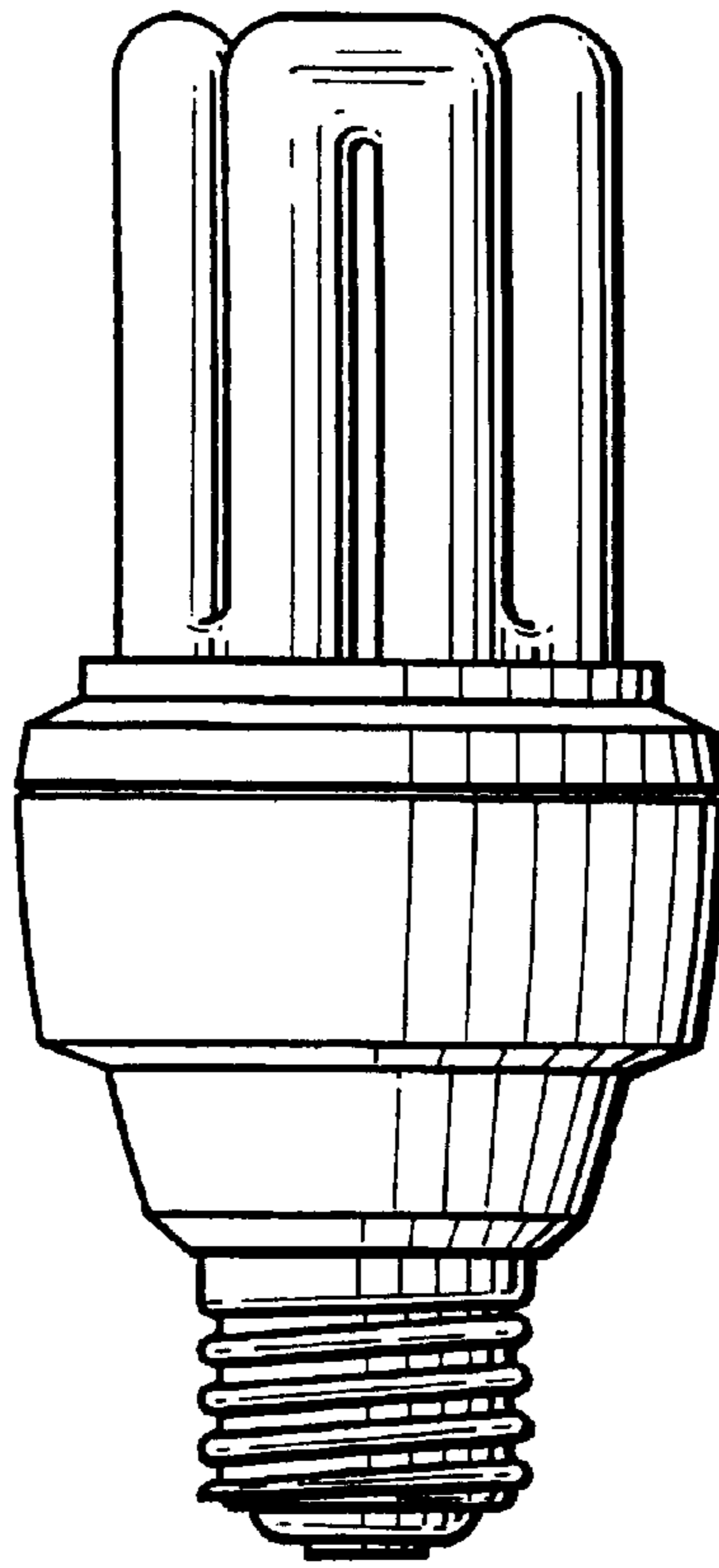
**FIG.3**



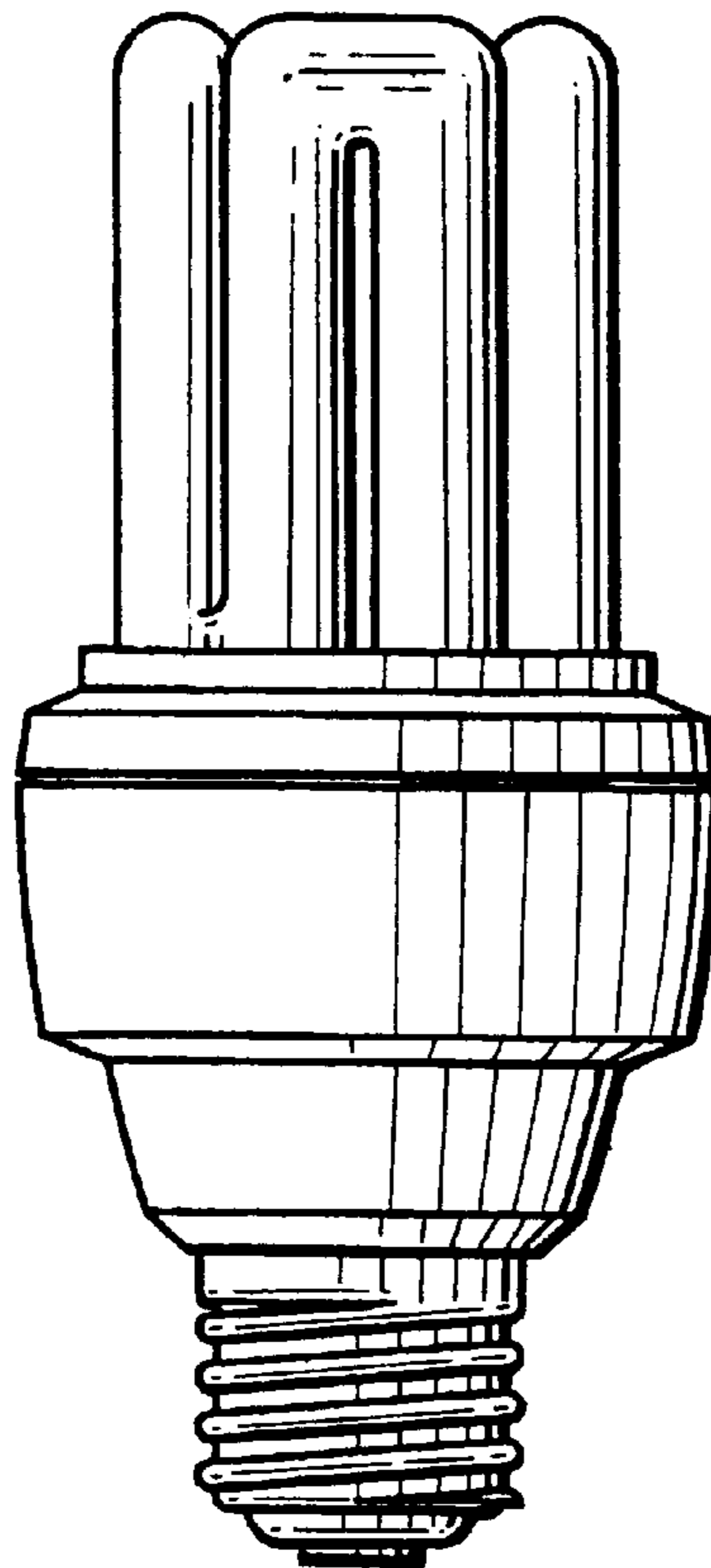
**FIG.4**



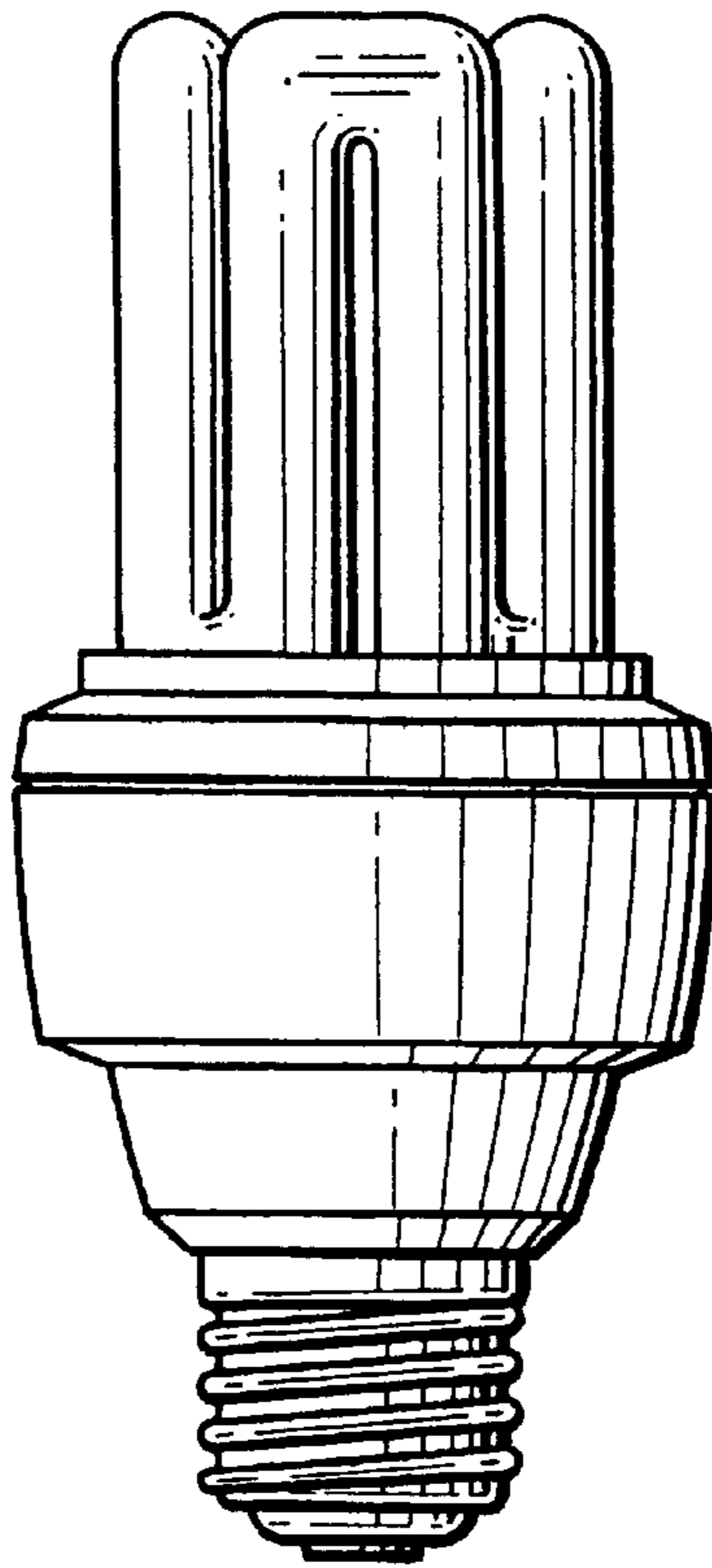
*FIG. 5*



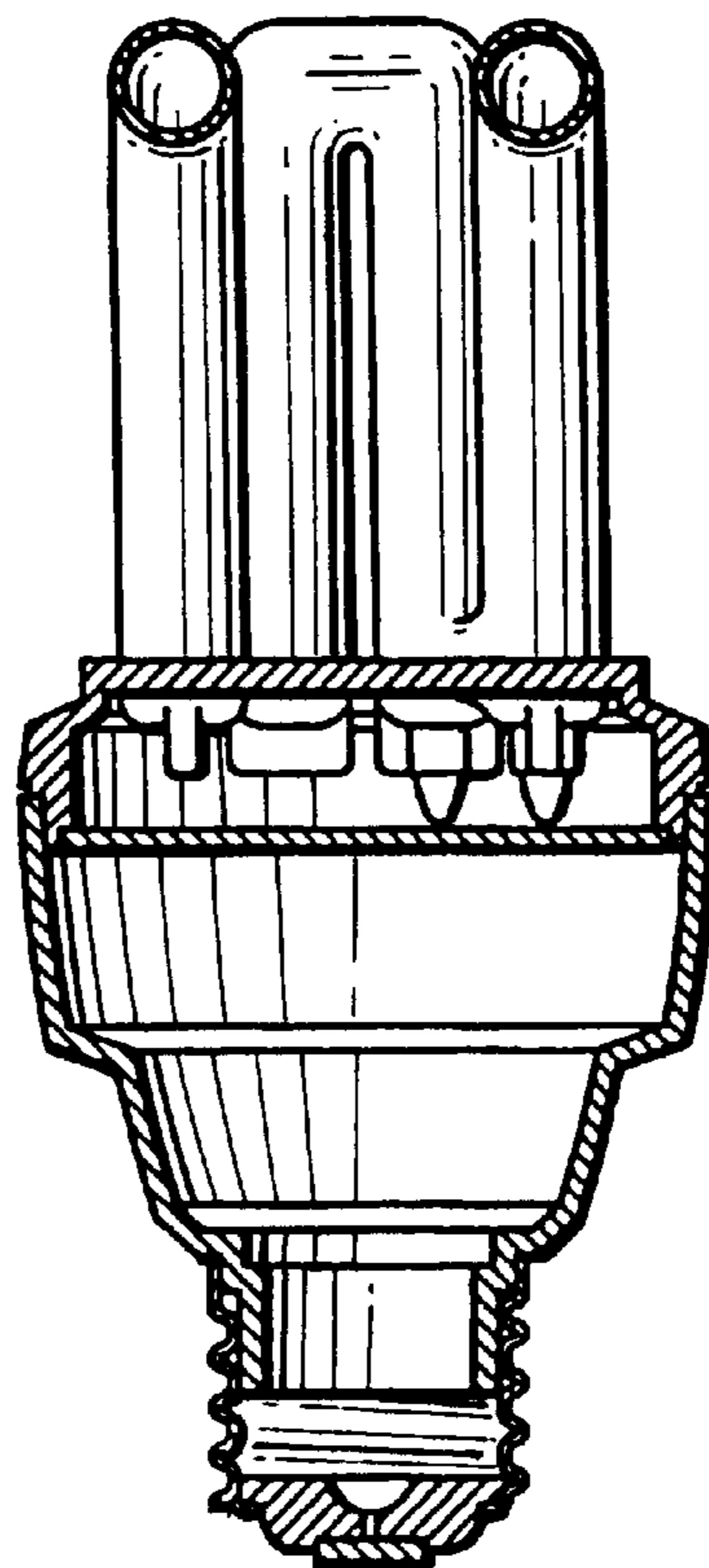
*FIG. 6*



*FIG. 7*



*FIG. 8*



***FIG. 9***

