



US00D447253B1

(12) **United States Design Patent**
Gardner

(10) **Patent No.:** **US D447,253 S**

(45) **Date of Patent:** **** Aug. 28, 2001**

(54) **EXTRUDED PLASTIC INSIDE MOUNT WINDOW SHUTTER FRAME MOLDING**

(75) Inventor: **Larry S. Gardner**, Hoover, AL (US)

(73) Assignee: **Alabama Venetian Blind Company**, Birmingham, AL (US)

(**) Term: **14 Years**

(21) Appl. No.: **29/134,887**

(22) Filed: **Dec. 29, 2000**

(51) **LOC (7) Cl.** **25-01**

(52) **U.S. Cl.** **D25/136; D25/119**

(58) **Field of Search** 160/104, 371,
160/377, 236; 49/82.1, 74.1; 52/656.7,
473, 202; D25/47, 49, 136, 60, 119

(56) **References Cited**

U.S. PATENT DOCUMENTS

D. 366,123	*	1/1996	Swopes	D25/136
3,324,785	*	6/1967	Underdahl	49/74.1
5,379,551	*	1/1995	Swapp	49/82.1
5,894,706	*	4/1999	Herbst	160/371

* cited by examiner

Primary Examiner—Doris Clark

(74) *Attorney, Agent, or Firm*—Robert J. Veal; Burr & Forman LLP

(57) **CLAIM**

The ornamental design for an extruded plastic inside mount window shutter frame molding, as shown and described.

DESCRIPTION

FIG. 1 is a perspective view of an extruded plastic inside mount window shutter frame molding showing my new design;

FIG. 2 is an end view of the extruded plastic inside mount window shutter frame molding;

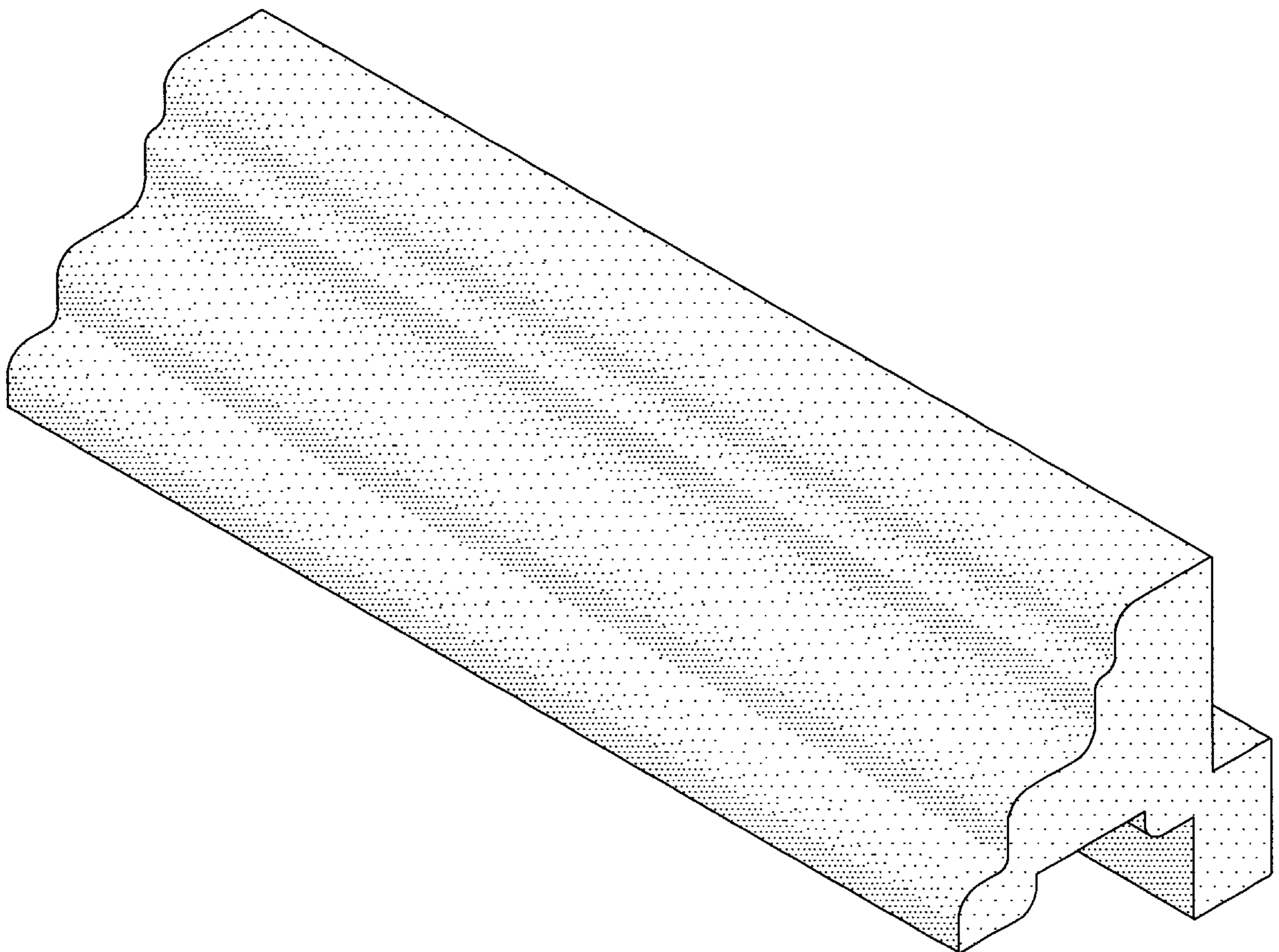
FIG. 3 is a top view of the extruded plastic inside mount window shutter frame molding;

FIG. 4 is a frontal view of the extruded plastic inside mount window shutter frame molding;

FIG. 5 is a rear view of the extruded plastic inside mount window shutter frame molding; and,

FIG. 6 is a bottom view of the extruded plastic inside mount window shutter frame molding.

1 Claim, 6 Drawing Sheets



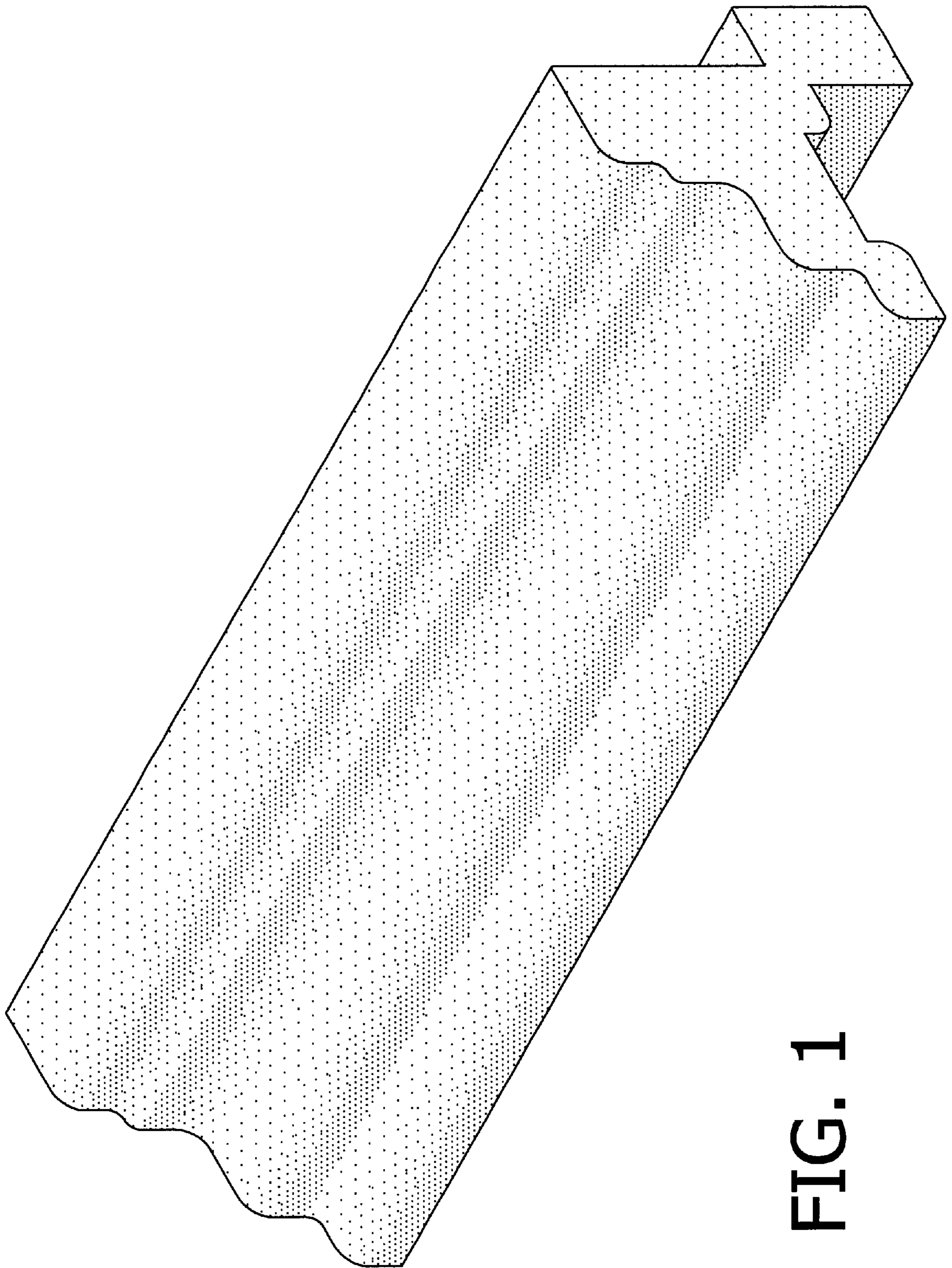


FIG. 1

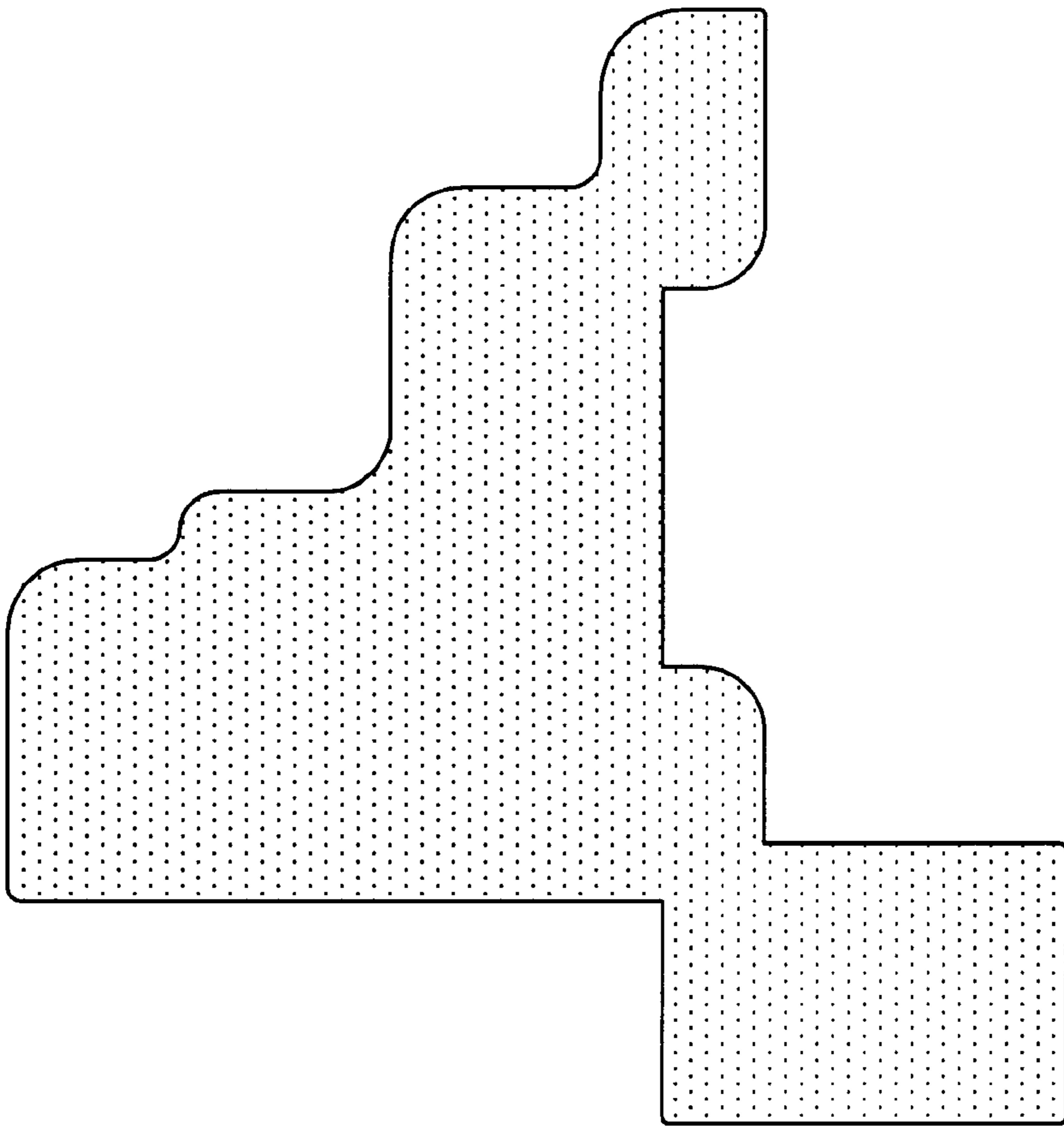


FIG. 2

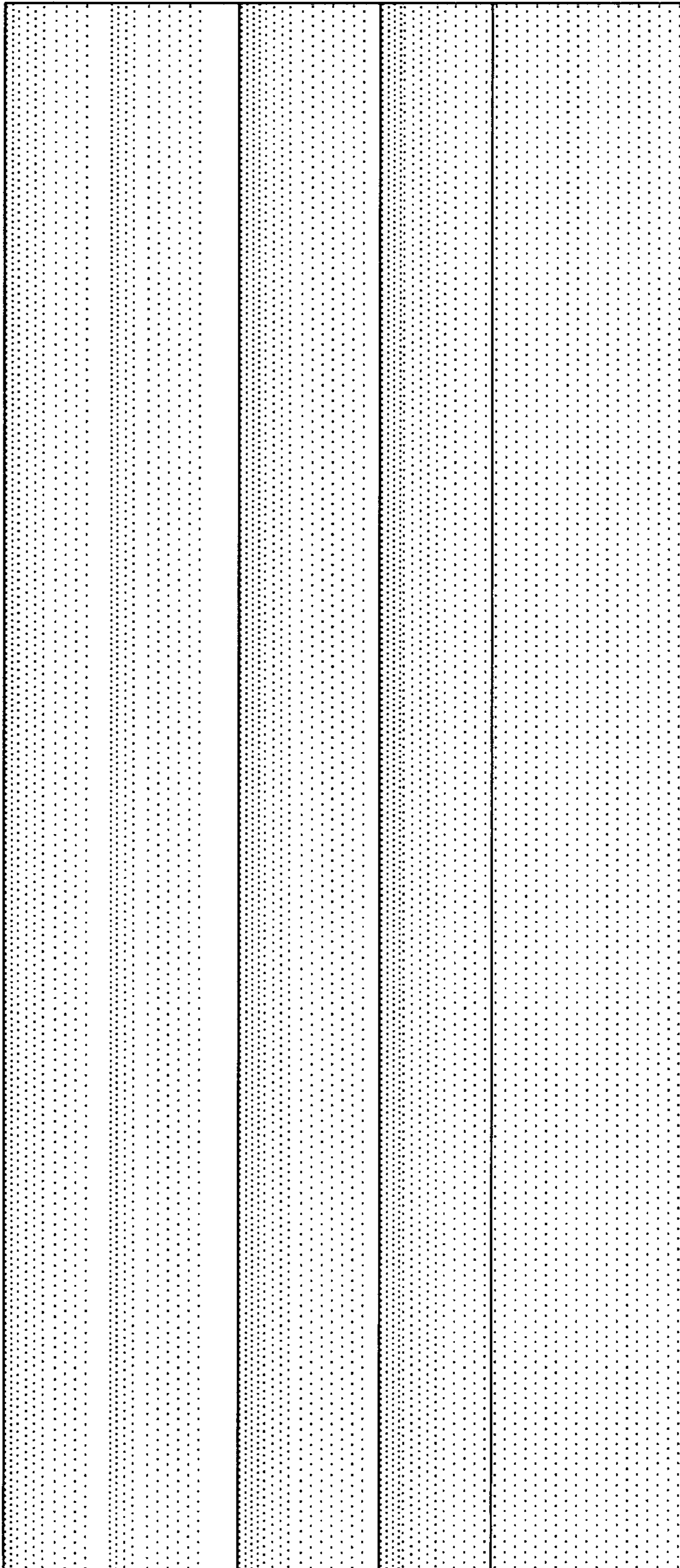


FIG. 3

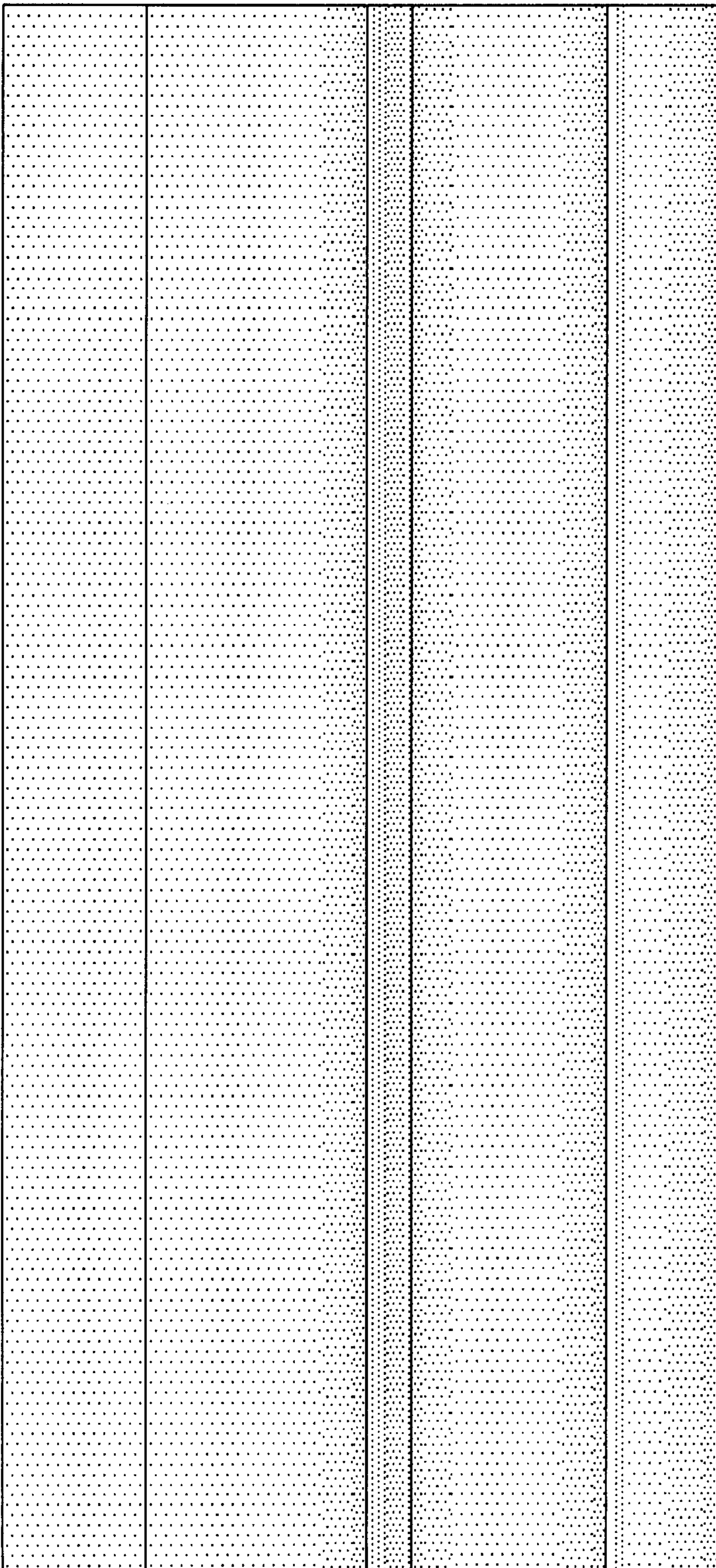


FIG. 4

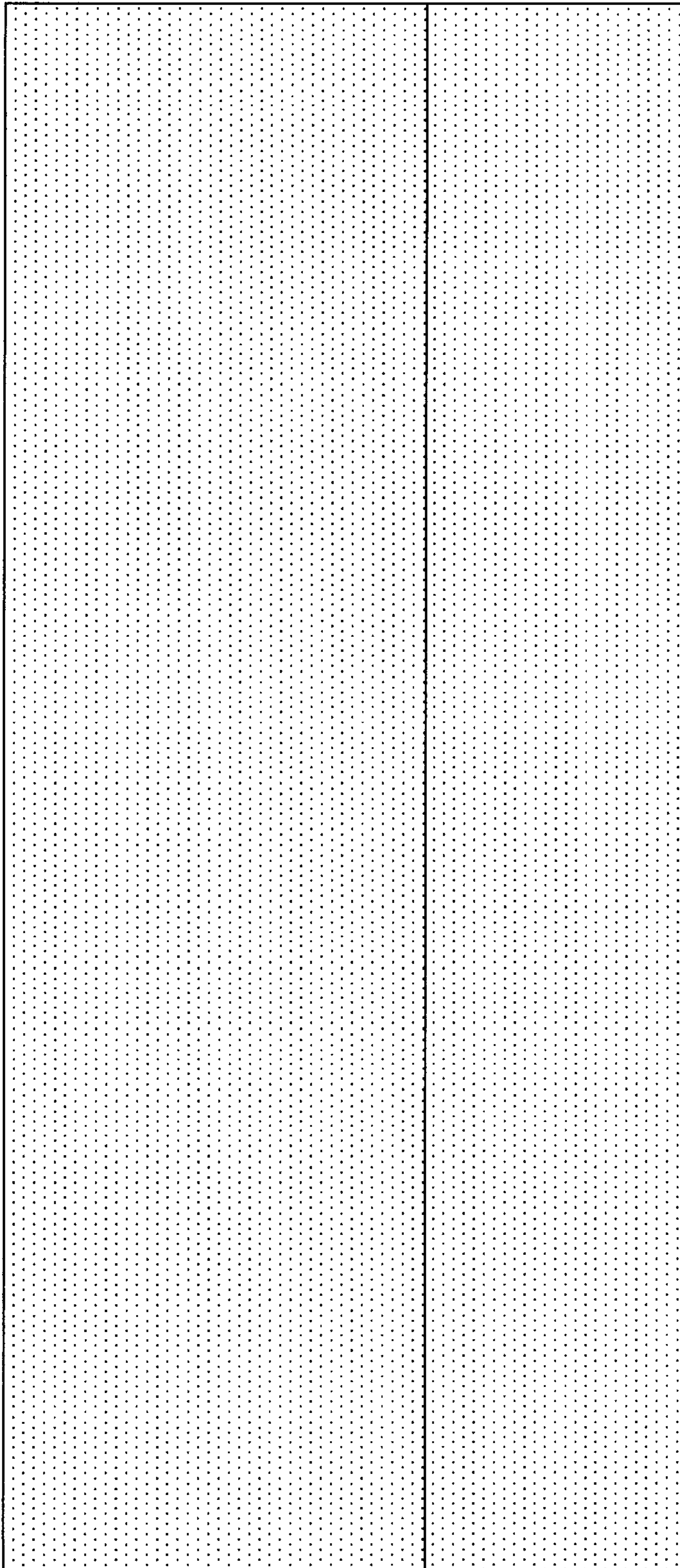


FIG. 5

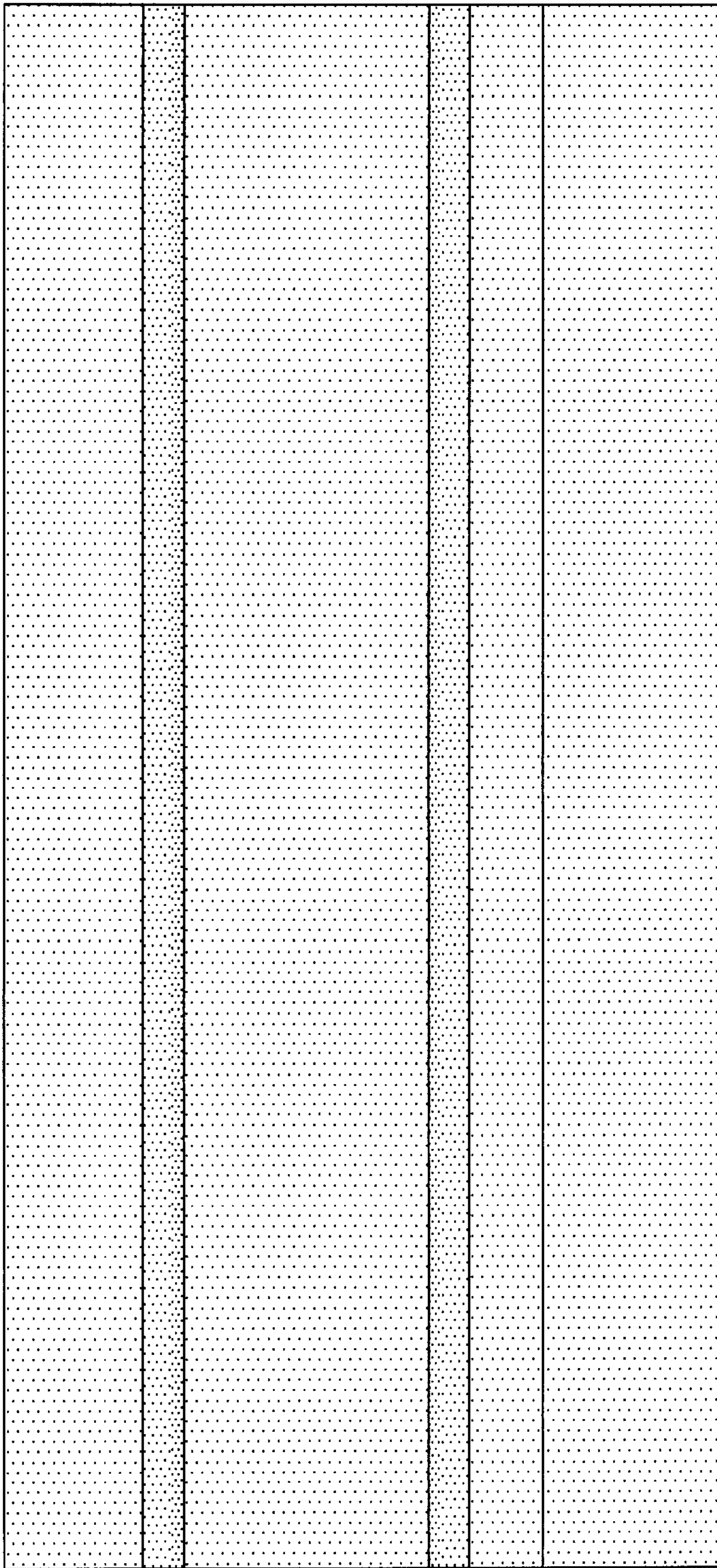


FIG. 6