



US00D447249B1

(12) **United States Design Patent**
Chang et al.

(10) **Patent No.:** **US D447,249 S**

(45) **Date of Patent:** **** Aug. 28, 2001**

(54) **ANTI-SLIP STRIP FOR STAIRS**

(76) Inventors: **Sheng-Ming Chang**, 3F, No. 17,
Lane598, Sec. 2, Ching Nien Road, Fon
Shan City, Kao Hsiung Hsien (TW);
Su-Jung Chung, 13F, No. 12, Ming
Che Road, Shan Ming Dist., Kao
Hsiung City (TW)

(**) Term: **14 Years**

(21) Appl. No.: **29/087,896**

(22) Filed: **May 12, 1998**

(51) **LOC (7) Cl.** **25-04**

(52) **U.S. Cl.** **D25/69**

(58) **Field of Search** D25/69; 52/188,
52/190

(56) **References Cited**

U.S. PATENT DOCUMENTS

D. 167,994 * 10/1952 McKay D25/69

D. 363,785 * 10/1995 Davies D25/69
4,451,063 * 5/1984 Snyder 52/188
5,051,289 * 9/1991 Riddle 52/188

* cited by examiner

Primary Examiner—Doris Clark

(57) **CLAIM**

The ornamental design for “anti-slip strip for stairs”, as shown and described.

DESCRIPTION

FIG. 1 is a perspective view of anti-slip strip for stairs showing our new design.

FIG. 2 is a front view thereof;

FIG. 3 is a rear view thereof;

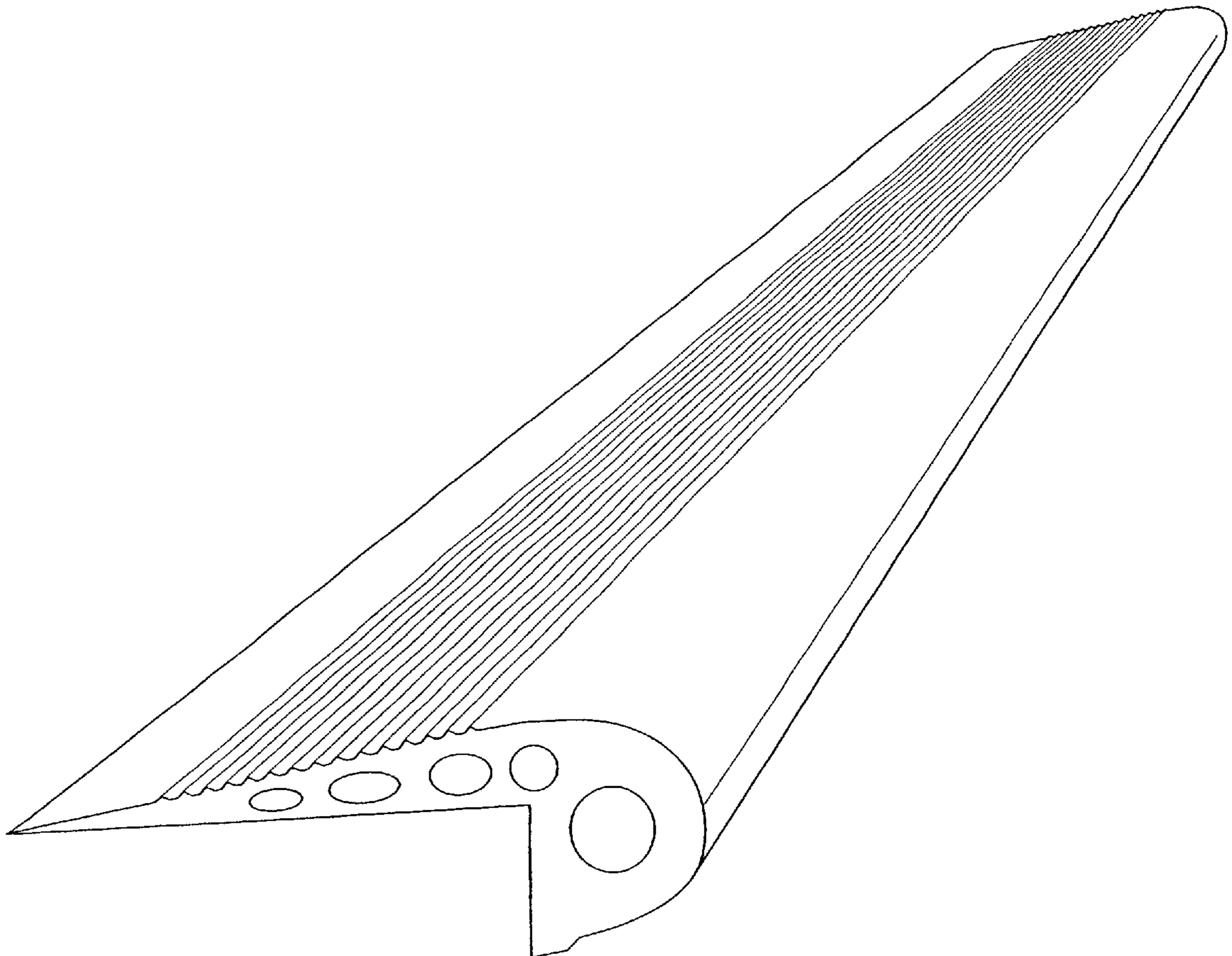
FIG. 4 is a left side view thereof;

FIG. 5 is a right side view thereof;

FIG. 6 is top view thereof; and,

FIG. 7 is a bottom view thereof.

1 Claim, 7 Drawing Sheets



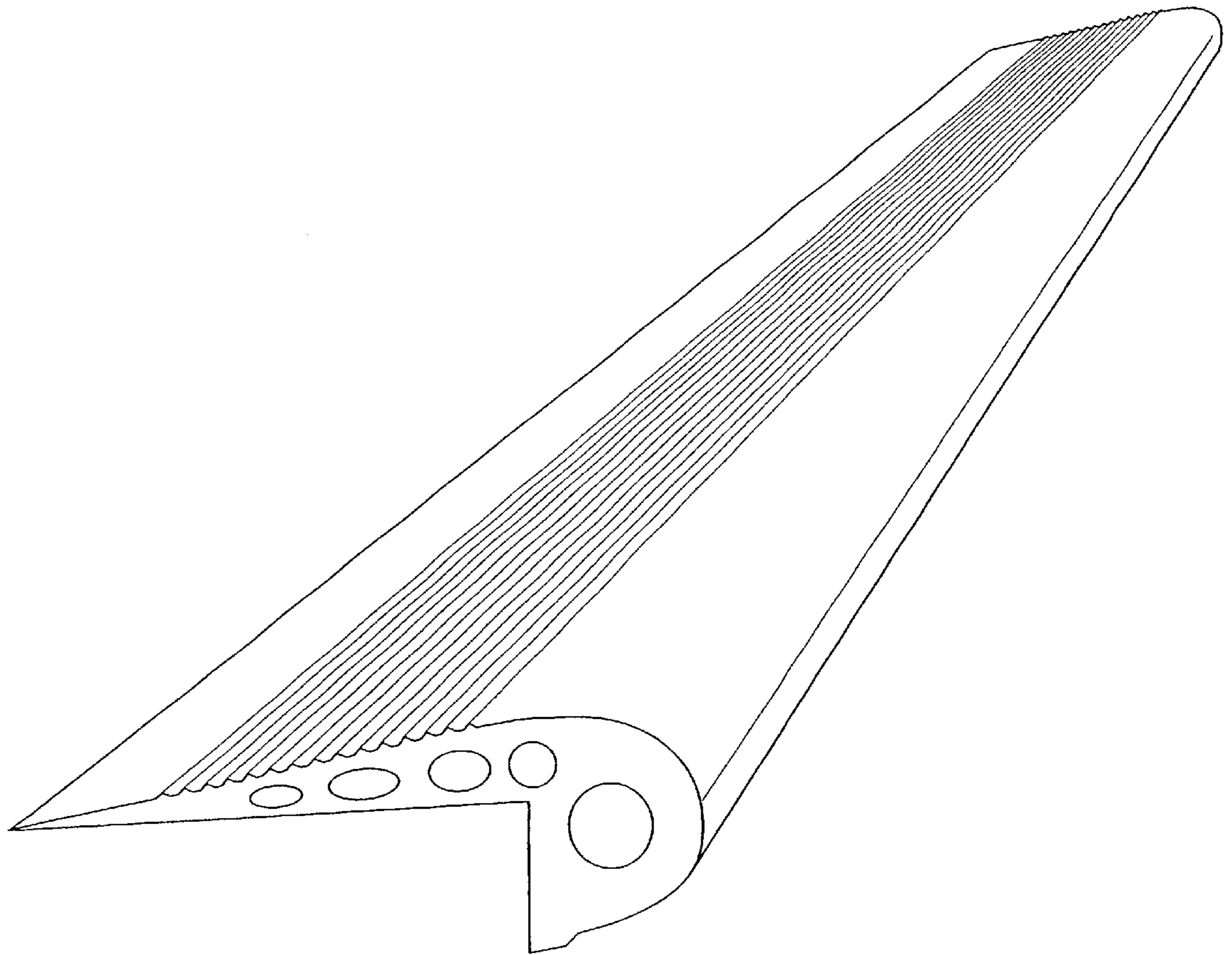


FIG 1

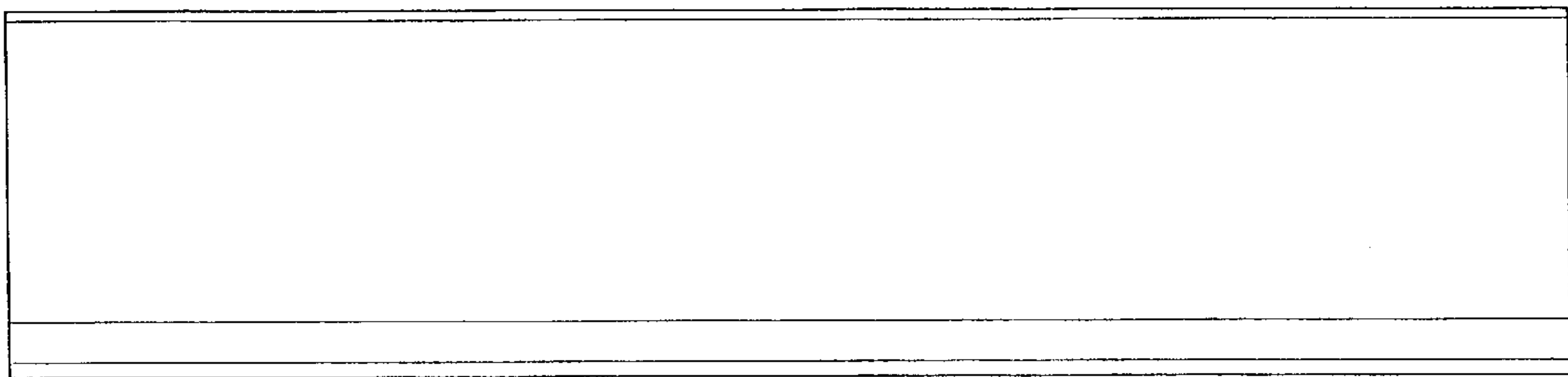


FIG 2

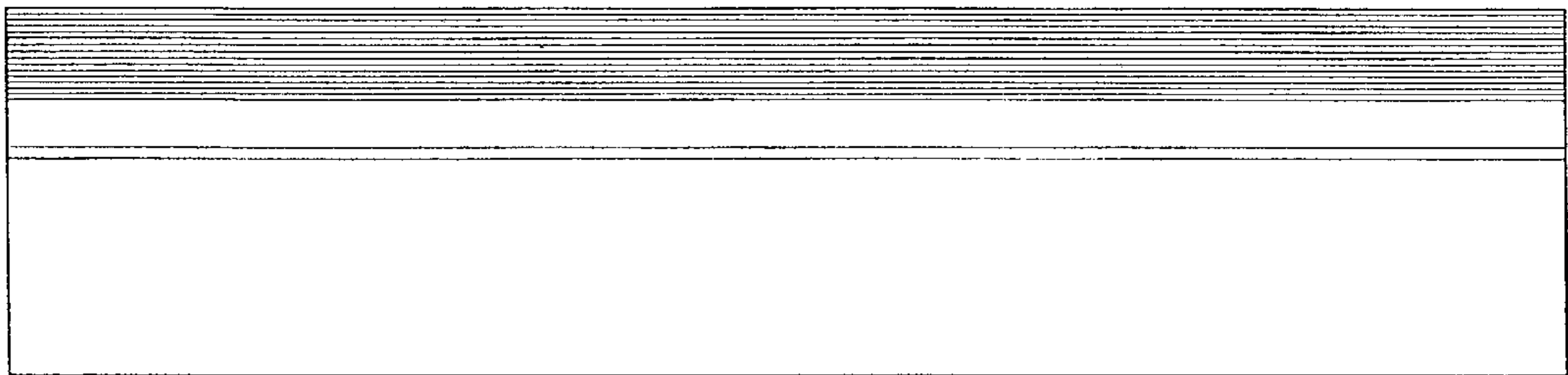


FIG 3

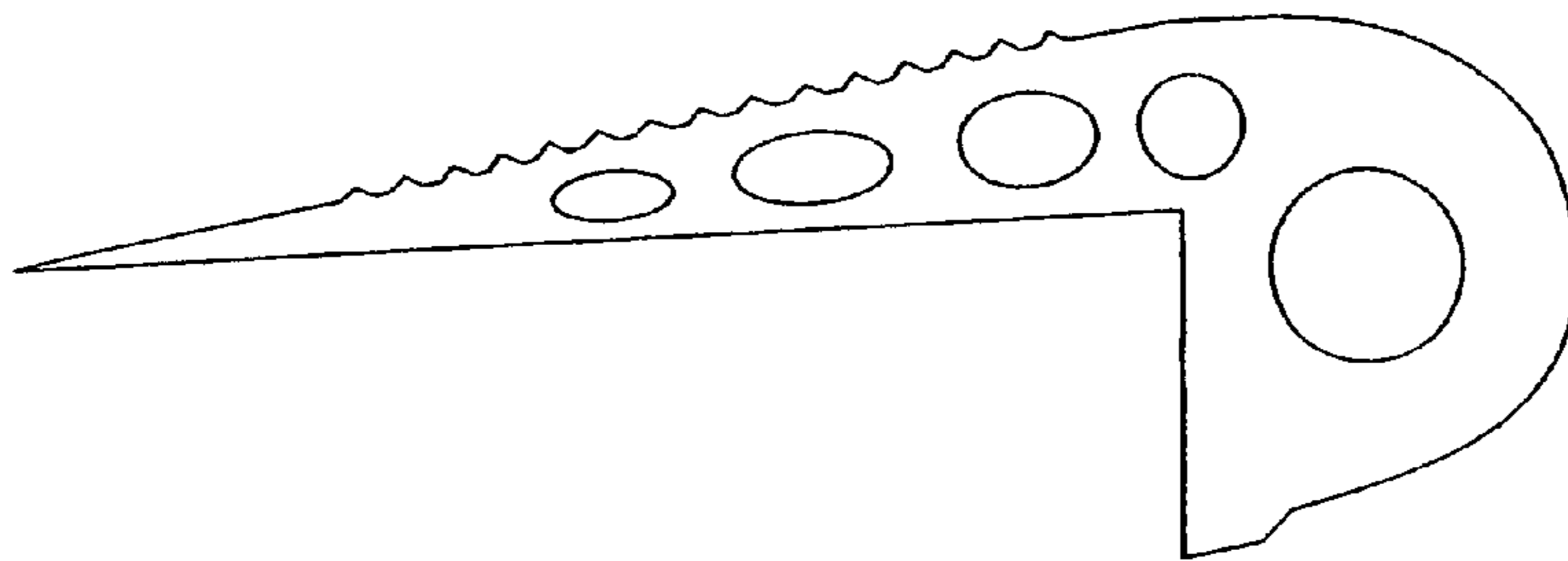


FIG 4

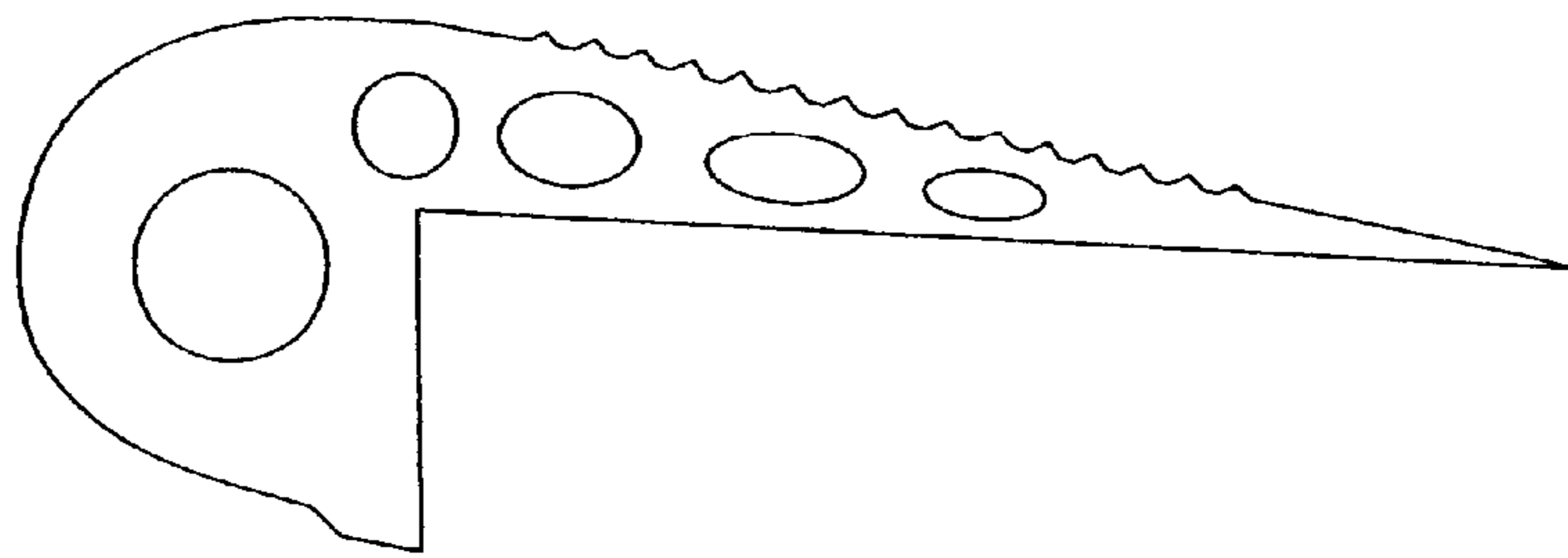


FIG 5

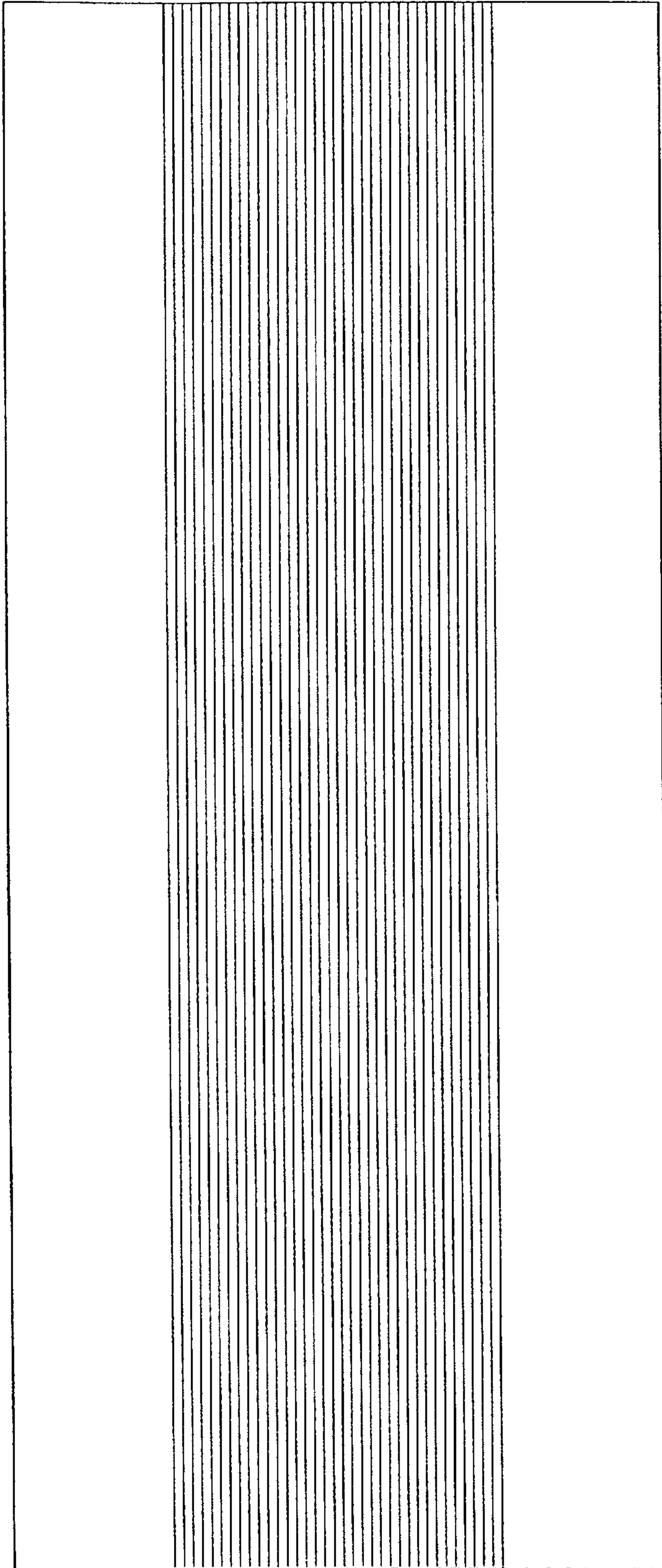


FIG 6

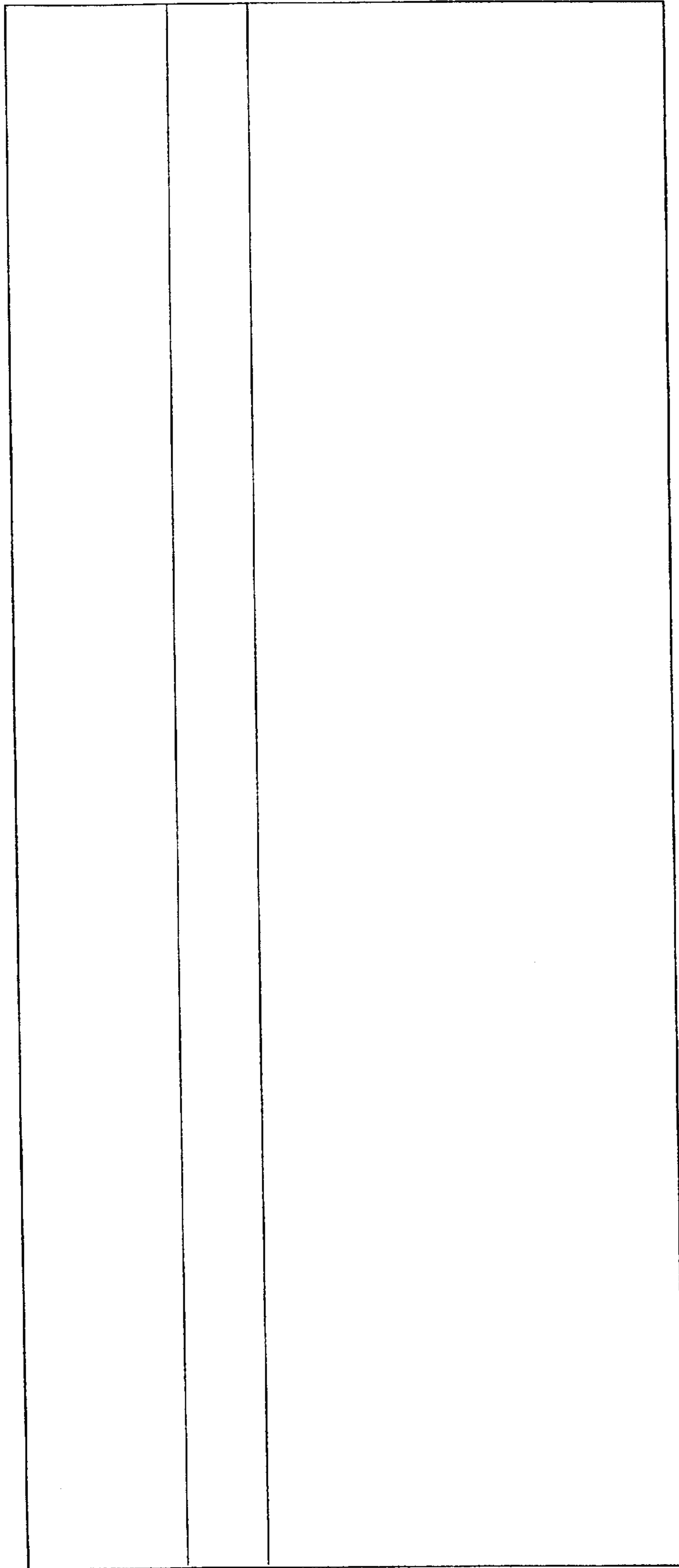


FIG 7