



US00D447243B1

(12) **United States Design Patent**
Leung Kit Lun et al.

(10) **Patent No.:** **US D447,243 S**

(45) **Date of Patent:** **** Aug. 28, 2001**

(54) **AIR BUBBLER FOR A BATH TUB WITH
REMOTE CONTROL**

3,809,073 * 5/1974 Baumann 601/168

* cited by examiner

(75) Inventors: **Anthony Leung Kit Lun**, Northpoint;
Kam Fai Fung, Tuen Mun, both of
(CN)

Primary Examiner—Stella Reid

(74) *Attorney, Agent, or Firm*—Ohlandt, Greeley, Ruggiero
& Perle, LLP

(73) Assignee: **Conair Corporation**, Stamford, CT
(US)

(57) **CLAIM**

(**) Term: **14 Years**

The ornamental design for an air bubbler for a bath tub with
remote control, as shown and described.

(21) Appl. No.: **29/128,589**

DESCRIPTION

(22) Filed: **Aug. 25, 2000**

FIG. 1 is a perspective view of an air bubbler for a bath tub
with remote control, showing our new design;

(51) **LOC (7) Cl.** **24-04**

FIG. 2 is a top view thereof;

(52) **U.S. Cl.** **D24/201; D32/24**

FIG. 3 is a bottom view thereof;

(58) **Field of Search** D24/201, 200;
4/580, 581, 582, 583; 601/167, 168; D32/21,
24

FIG. 4 is a side view thereof;

FIG. 5 is a side view thereof, opposite that shown in FIG. 4;

FIG. 6 is a front end view thereof;

FIG. 7 is a rear end view thereof; and,

FIG. 8 is a perspective view thereof, with the remote control
in a mounted position.

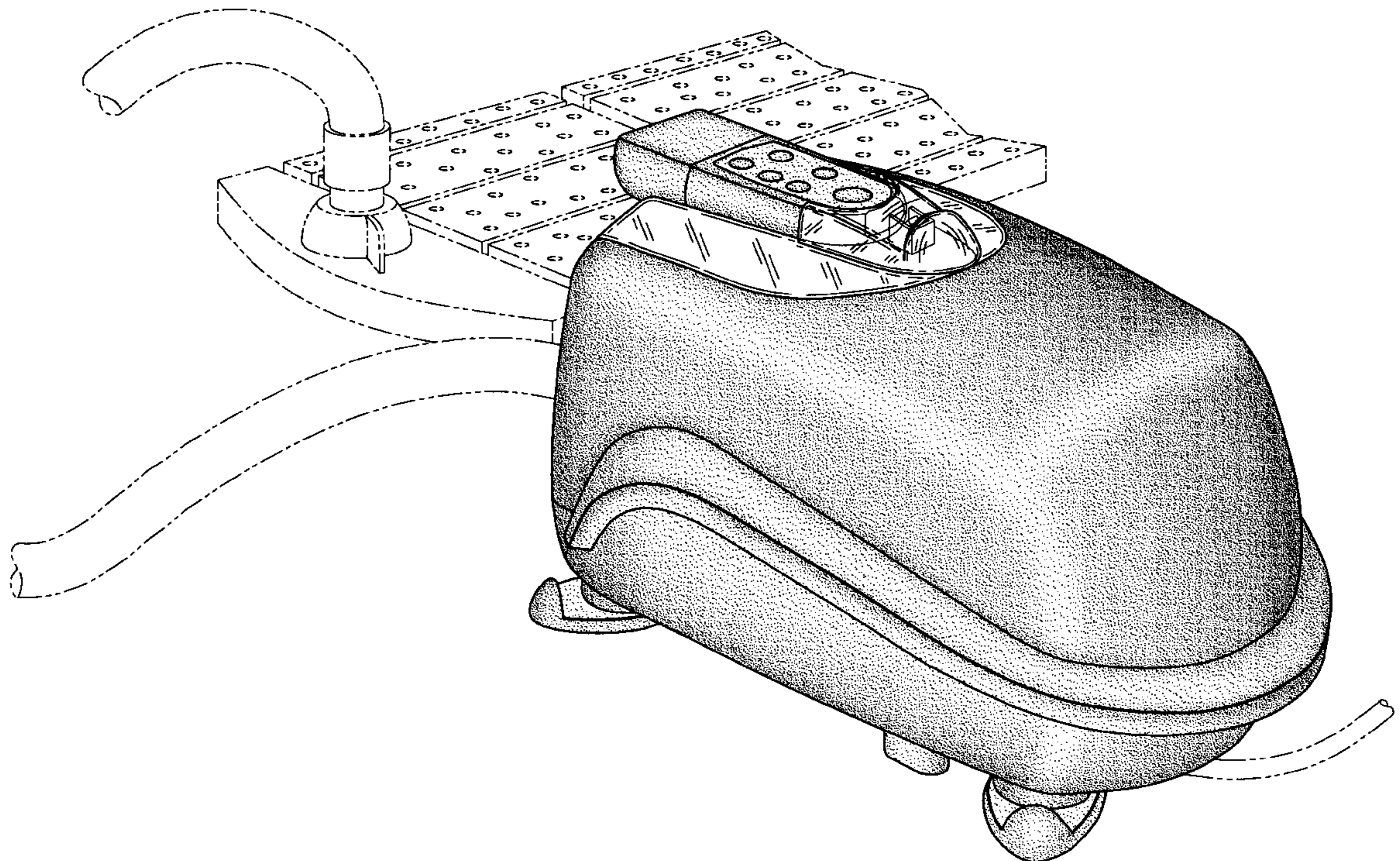
The broken line showing of the details in FIGS. 1 and 8 is
for illustrative purposes only and forms no part of the
claimed design.

(56) **References Cited**

U.S. PATENT DOCUMENTS

D. 305,687	*	1/1990	Walczak et al.	D24/201
D. 310,877	*	9/1990	Reeves et al.	D24/201
D. 431,866	*	10/2000	Wu	D24/201
3,420,227	*	1/1969	Voorlas	601/168
3,750,656	*	8/1973	Vaughan	601/168

1 Claim, 6 Drawing Sheets



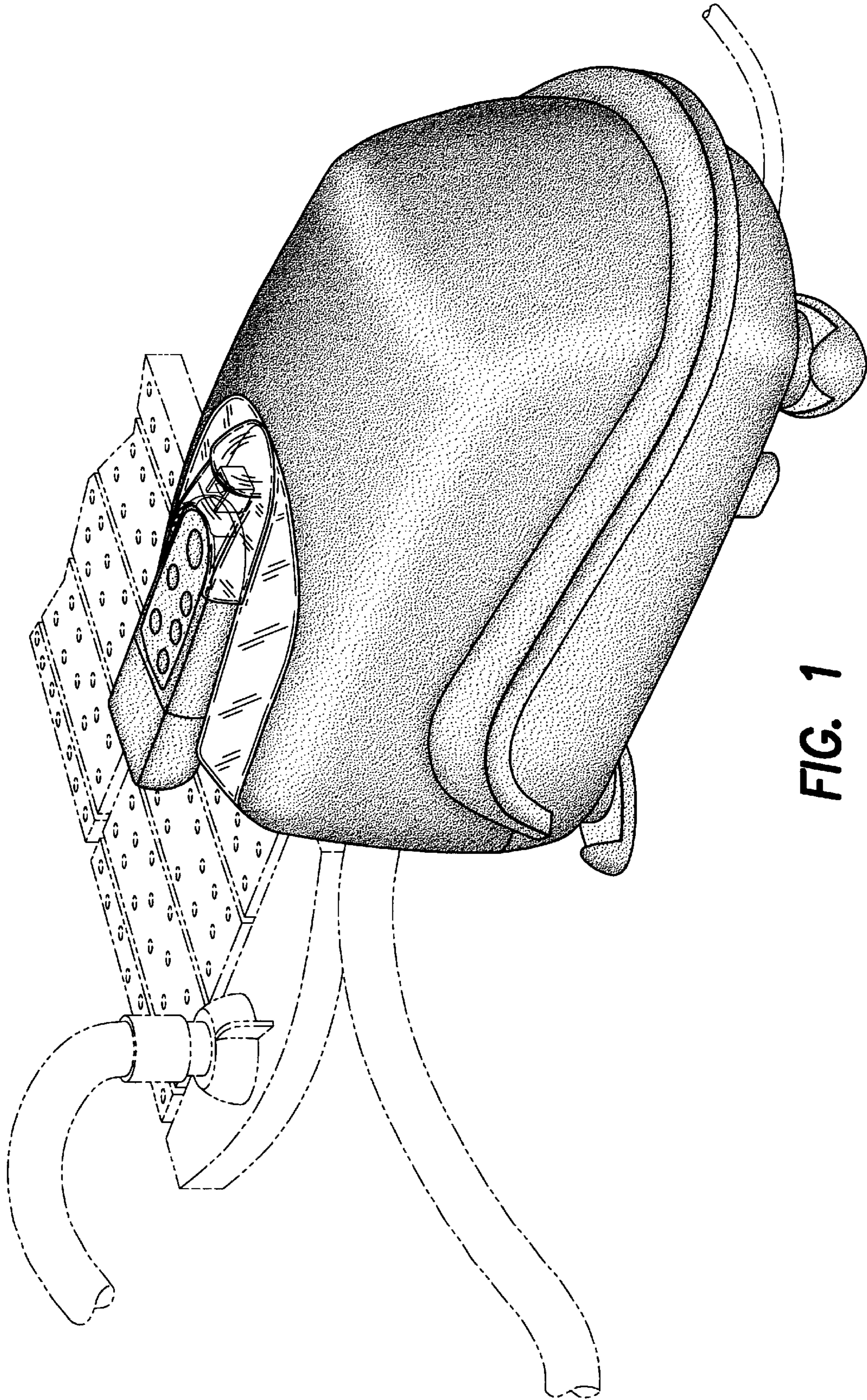


FIG. 1

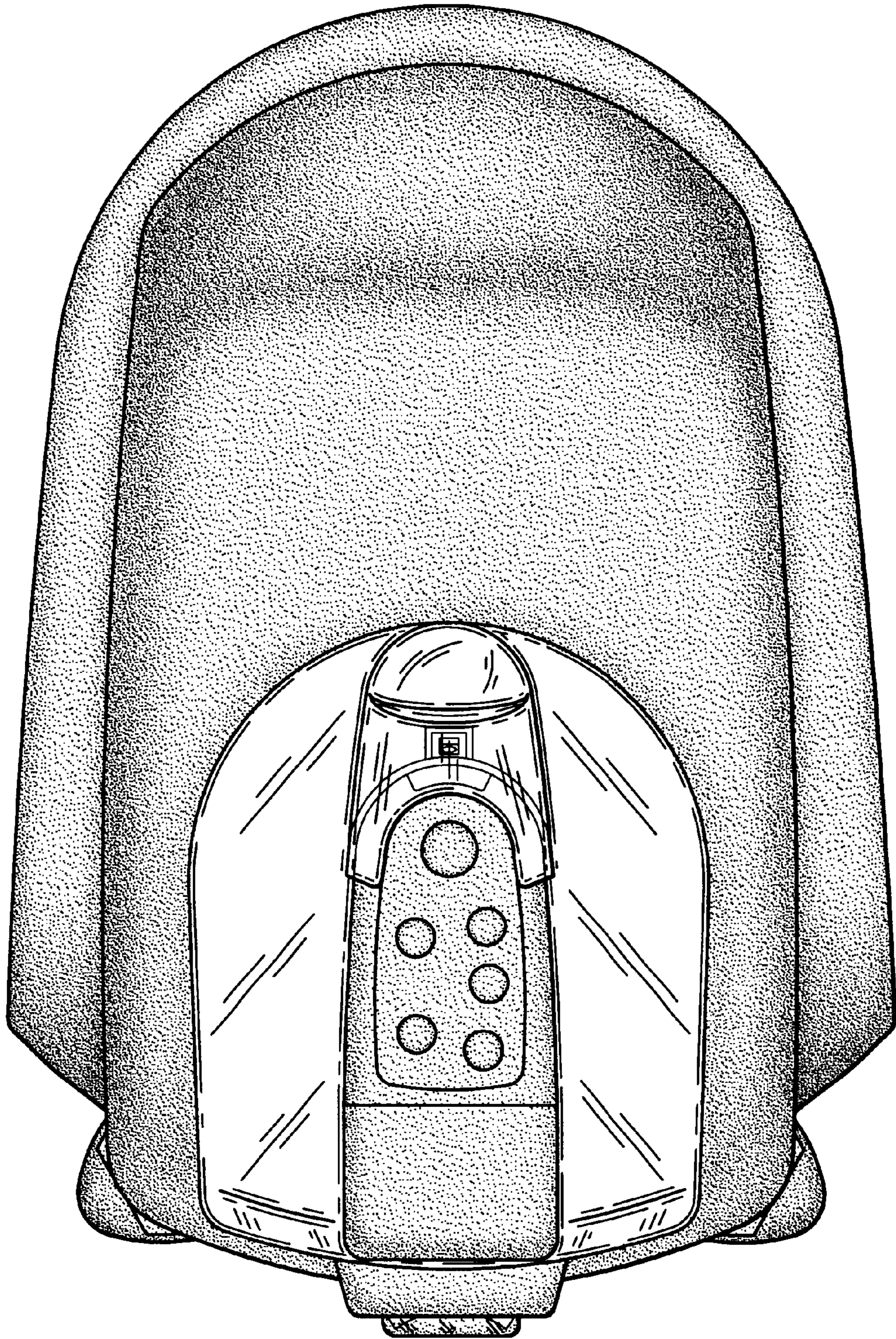


FIG. 2

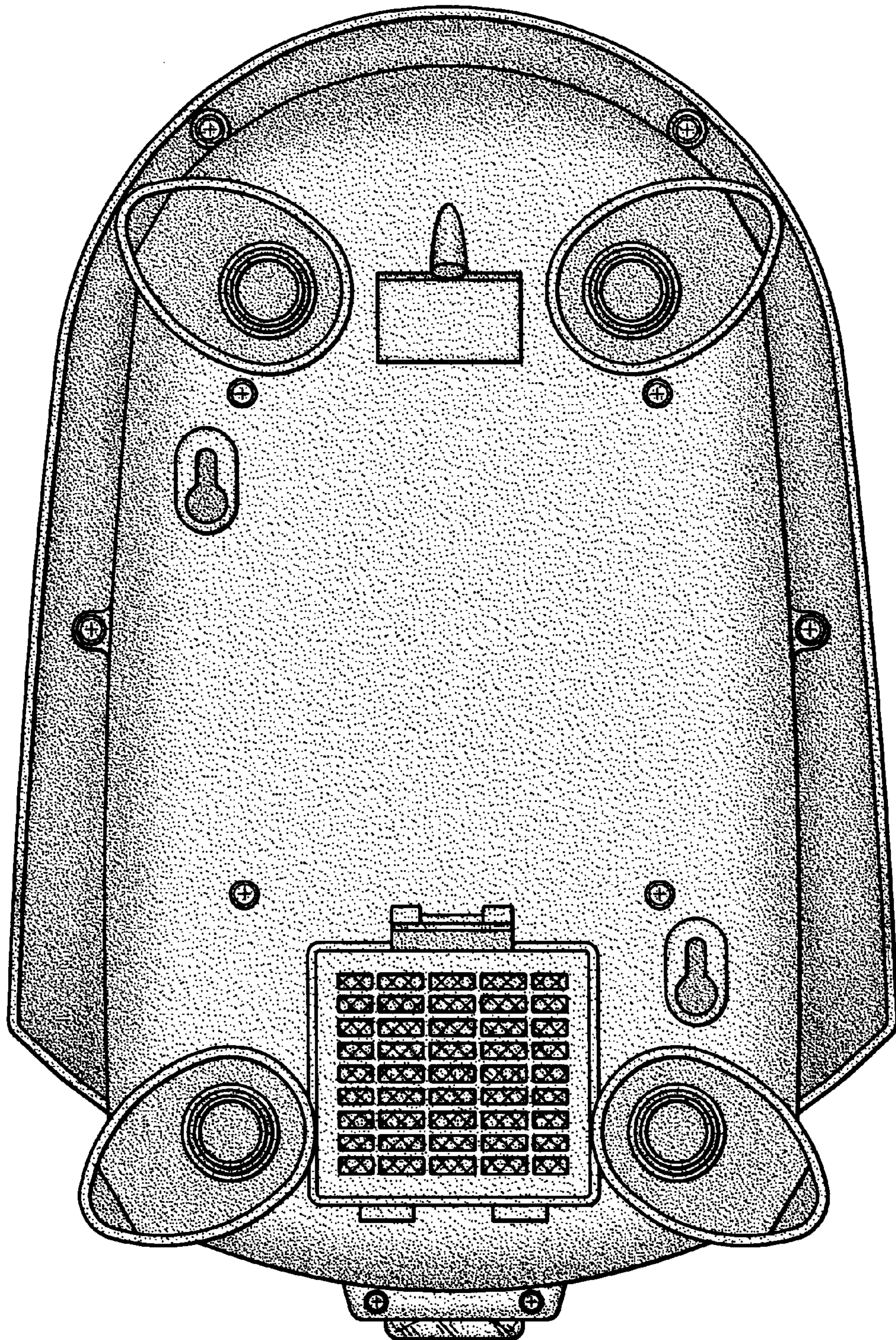


FIG. 3

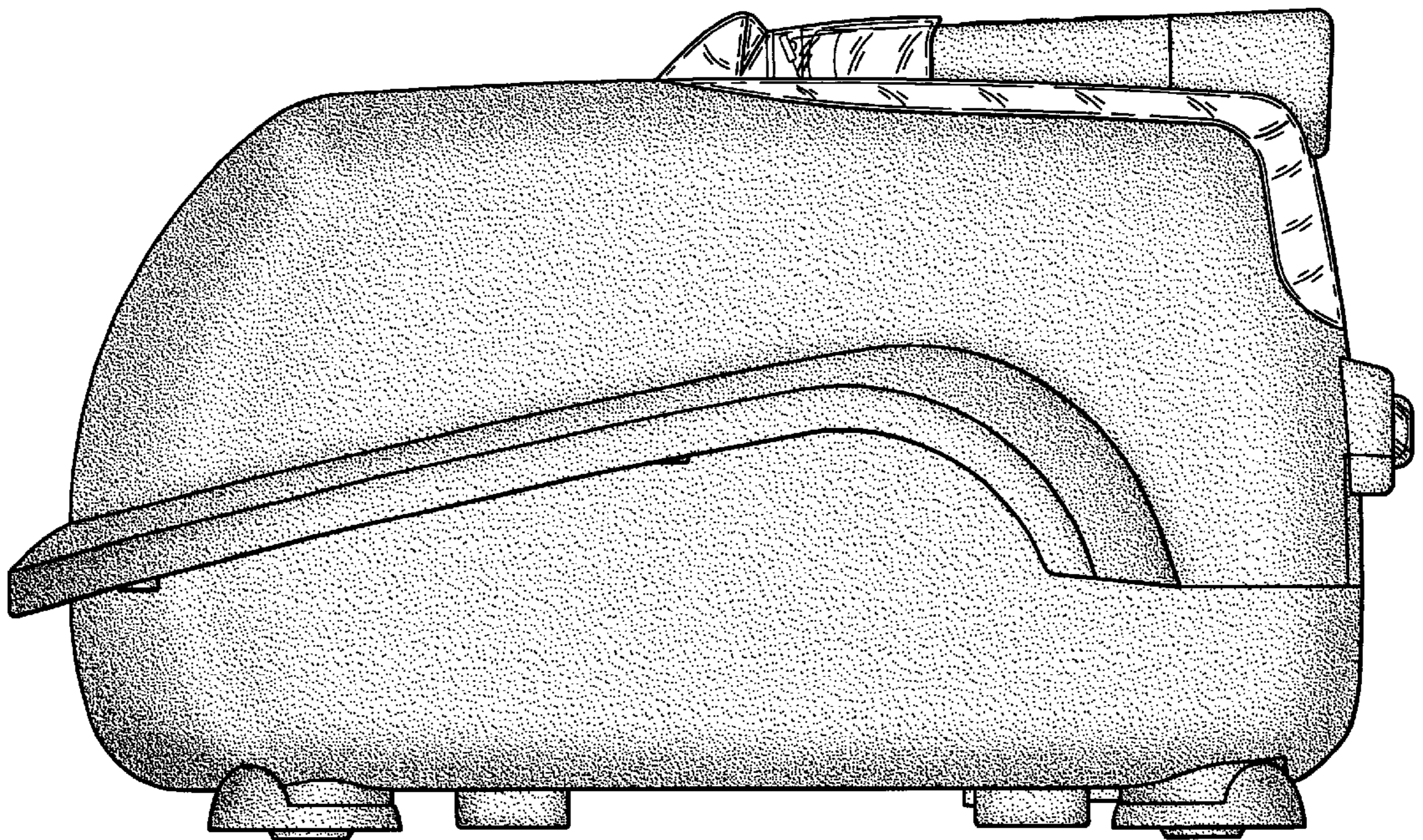


FIG. 4

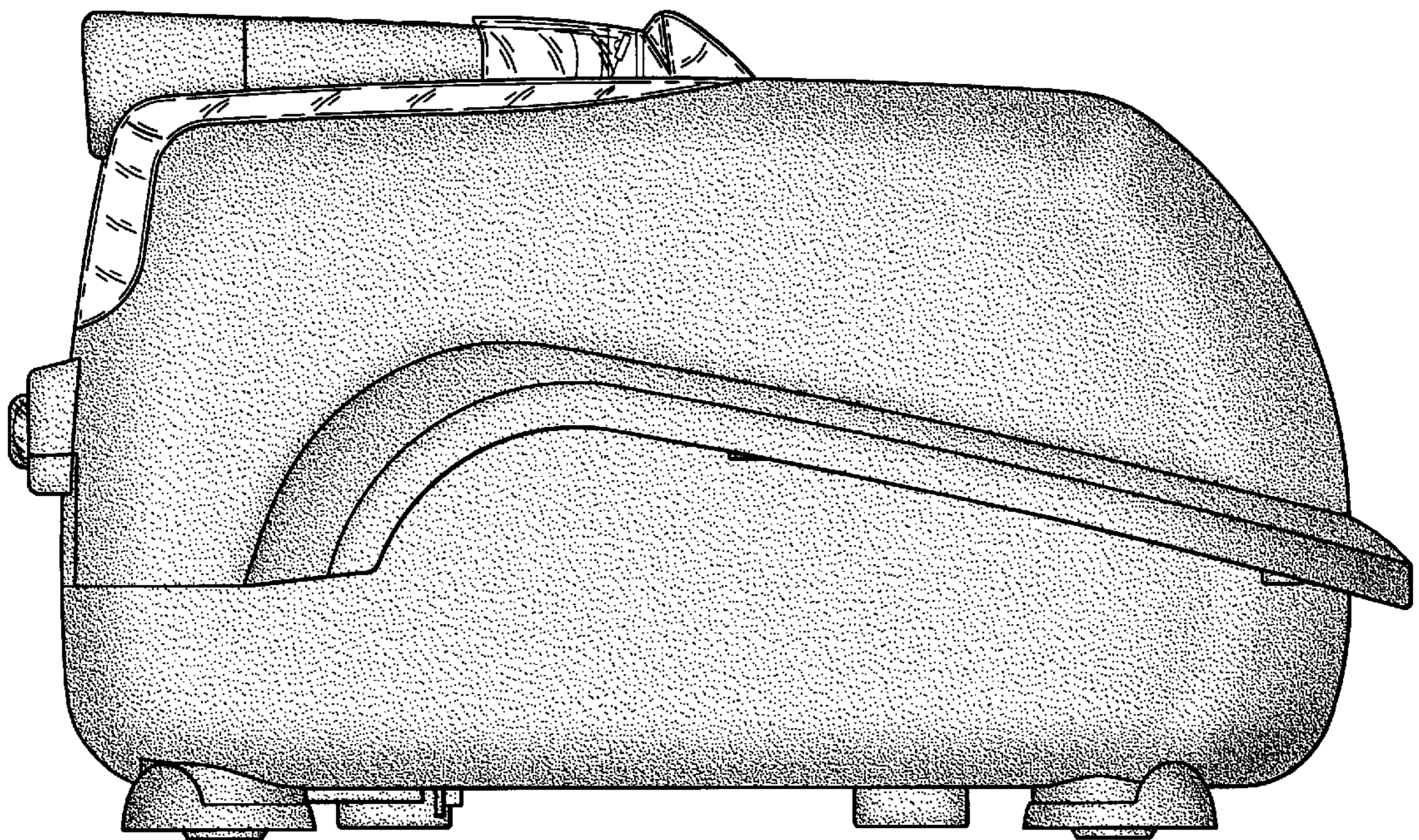


FIG. 5

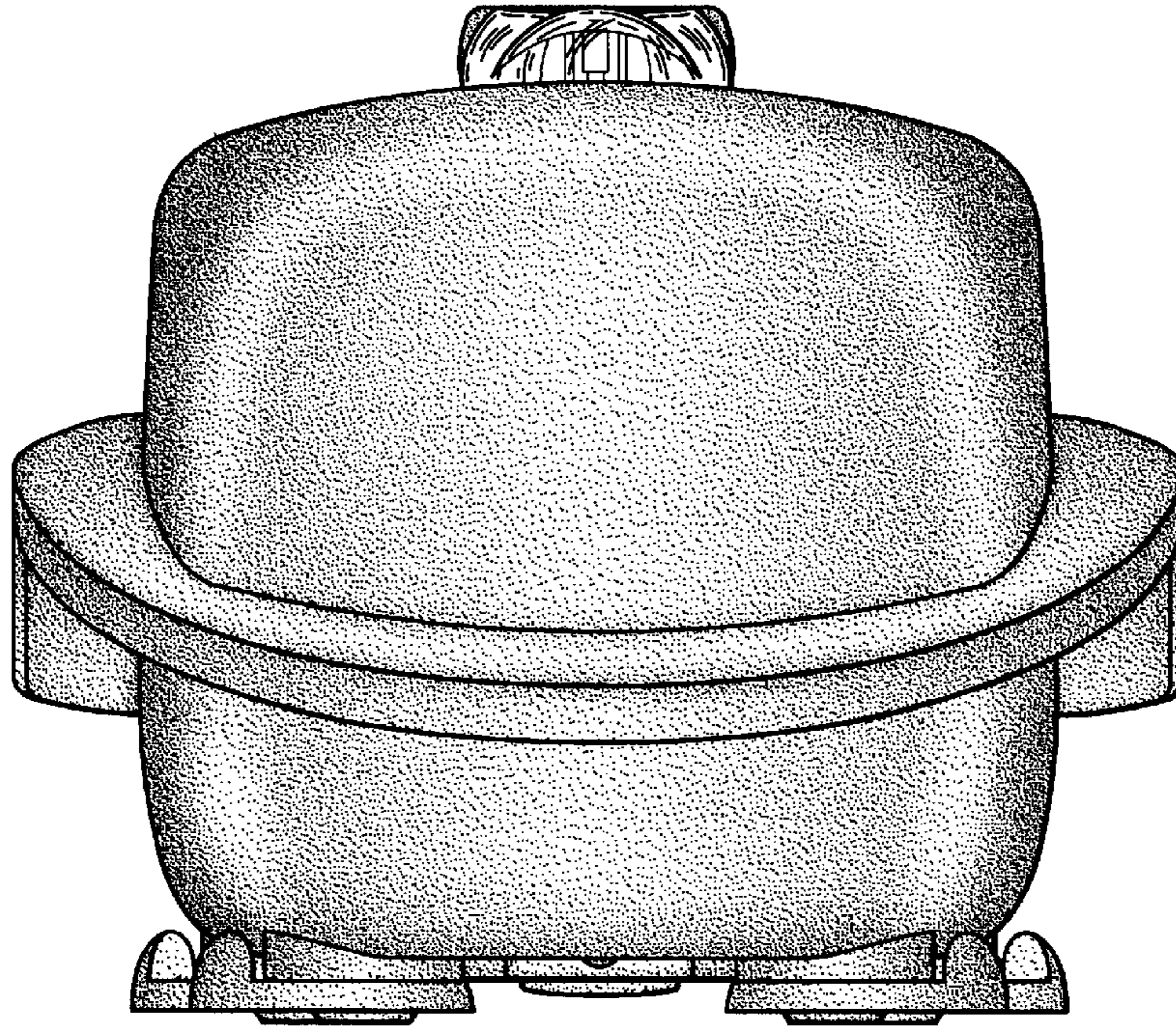


FIG. 6

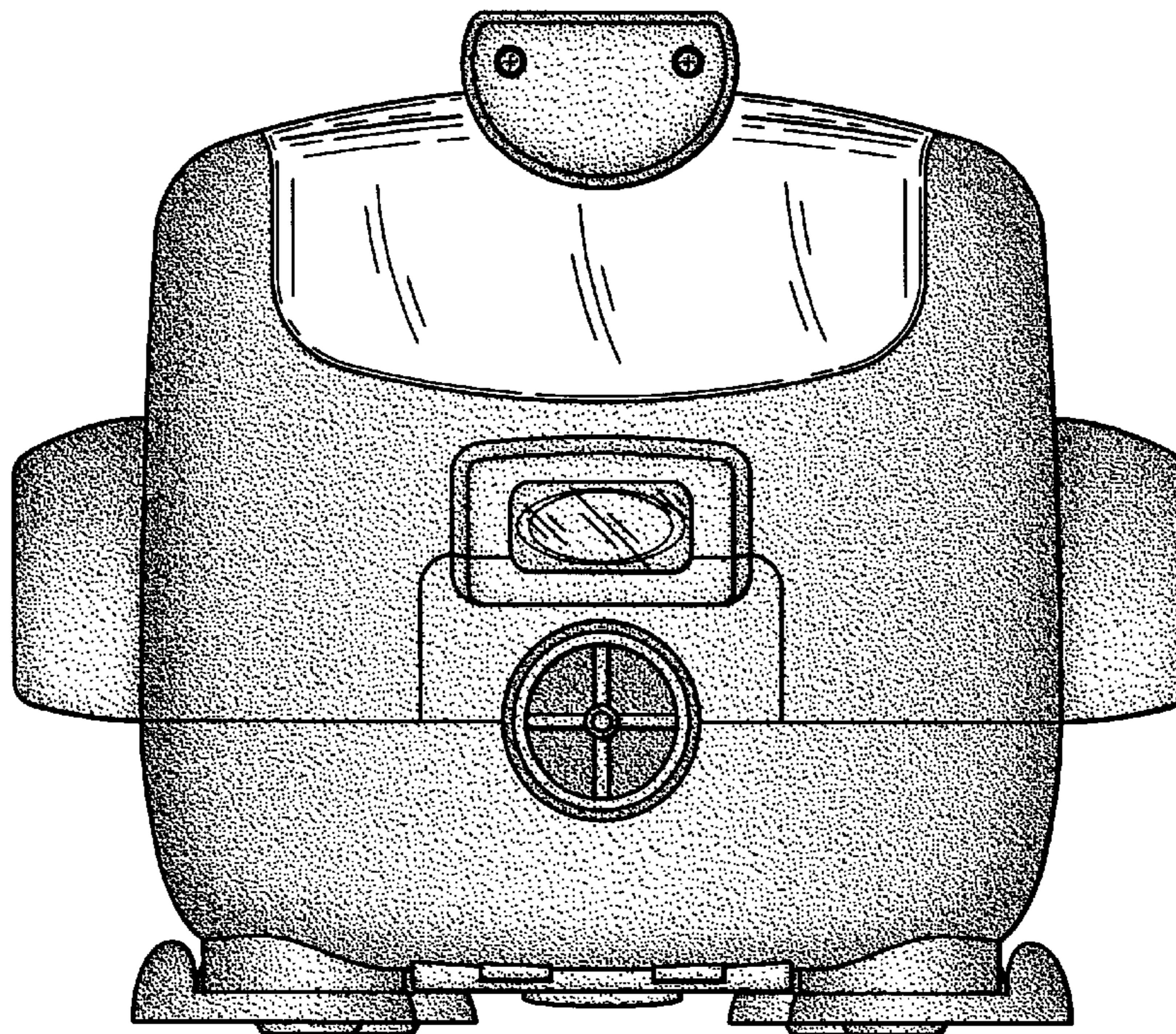


FIG. 7

