



US00D447241B1

(12) **United States Design Patent**
Deck

(10) **Patent No.:** **US D447,241 S**

(45) **Date of Patent:** **** Aug. 28, 2001**

(54) **DEFIBRILLATOR**

(75) Inventor: **Arsene Deck**, Munchhausen (FR)

(73) Assignee: **Bruker Medical SA**, Wissembourg (FR)

(**) Term: **14 Years**

(21) Appl. No.: **29/113,557**

(22) Filed: **Nov. 5, 1999**

(30) **Foreign Application Priority Data**

May 14, 1999 (FR) 99 3175

(51) **LOC (7) Cl.** **24-01**

(52) **U.S. Cl.** **D24/167**

(58) **Field of Search** D24/167; 607/5,
607/6, 7, 8, 142

(56) **References Cited**

U.S. PATENT DOCUMENTS

D. 291,245 * 8/1987 Lanci et al. D24/167

D. 311,580 * 10/1990 Butler et al. D24/167

D. 342,788 * 12/1993 Weaver et al. D24/167

D. 414,869 * 10/1999 Daynes et al. D24/167

5,391,187 * 2/1995 Freeman 607/5

5,935,152 * 8/1999 Merry et al. 607/5

6,141,584 * 10/2000 Rockwell et al. 607/5

* cited by examiner

Primary Examiner—Stella Reid

(74) *Attorney, Agent, or Firm*—Alfred M. Walker

(57) **CLAIM**

The ornamental design for a defibrillator, as shown and described.

DESCRIPTION

FIG. 1 is a perspective view of a defibrillator showing my new design;

FIG. 2 is a right side elevation view thereof;

FIG. 3 is a left side elevation view thereof;

FIG. 4 is a top plan view thereof;

FIG. 5 is a bottom view thereof;

FIG. 6 is a front elevational view thereof; and,

FIG. 7 is a rear view thereof.

1 Claim, 5 Drawing Sheets

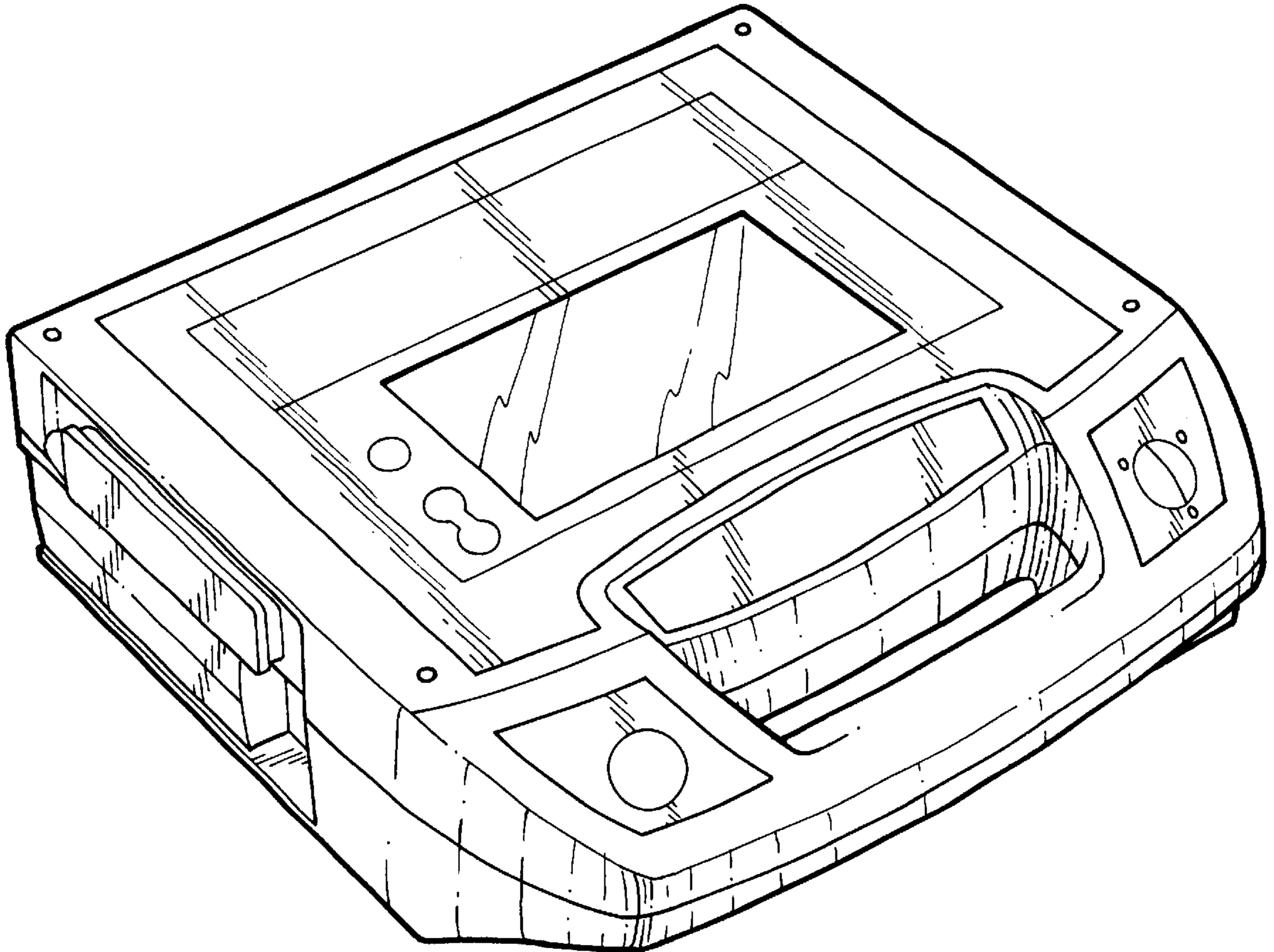


FIG. 1

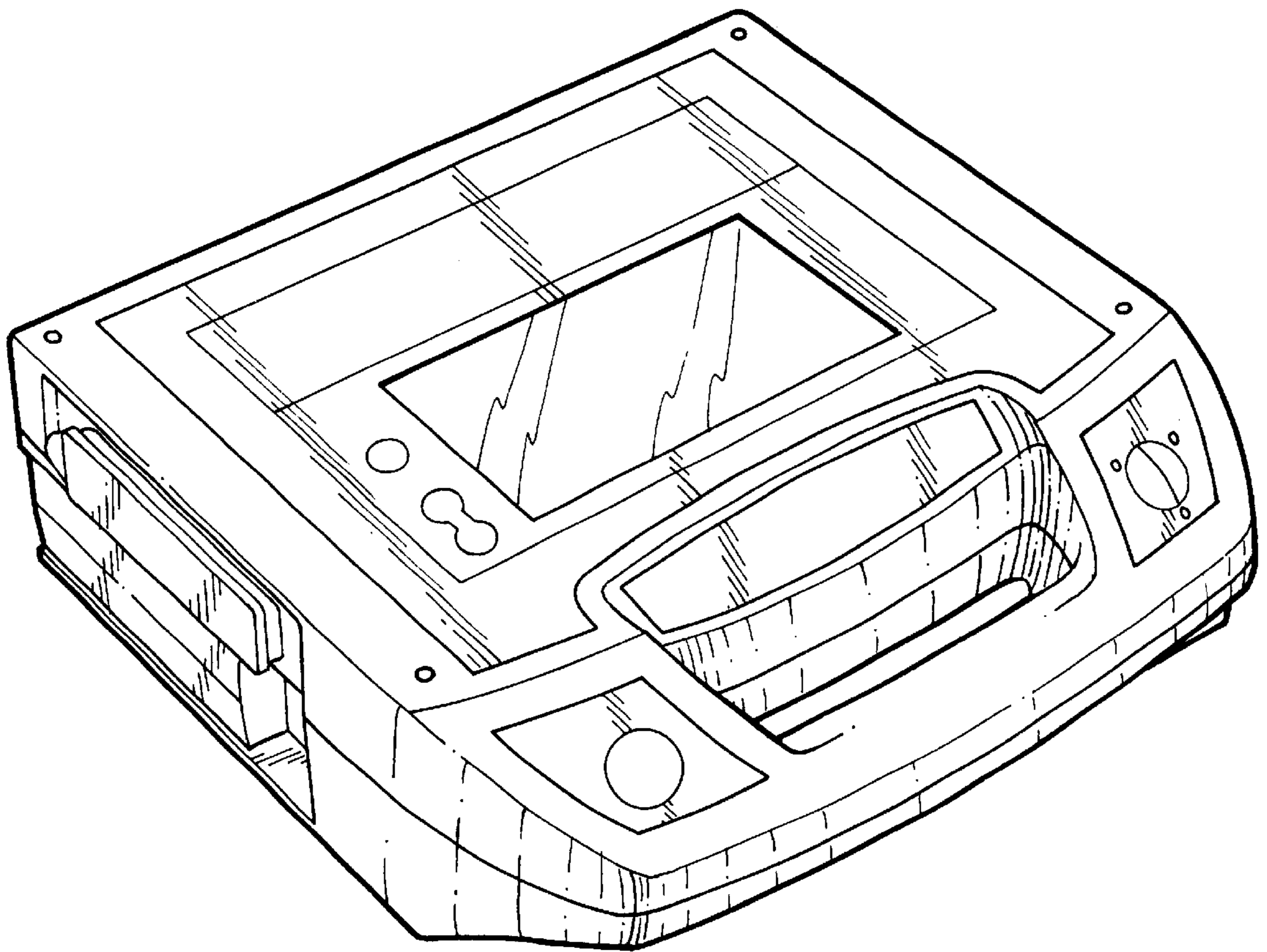


FIG. 2

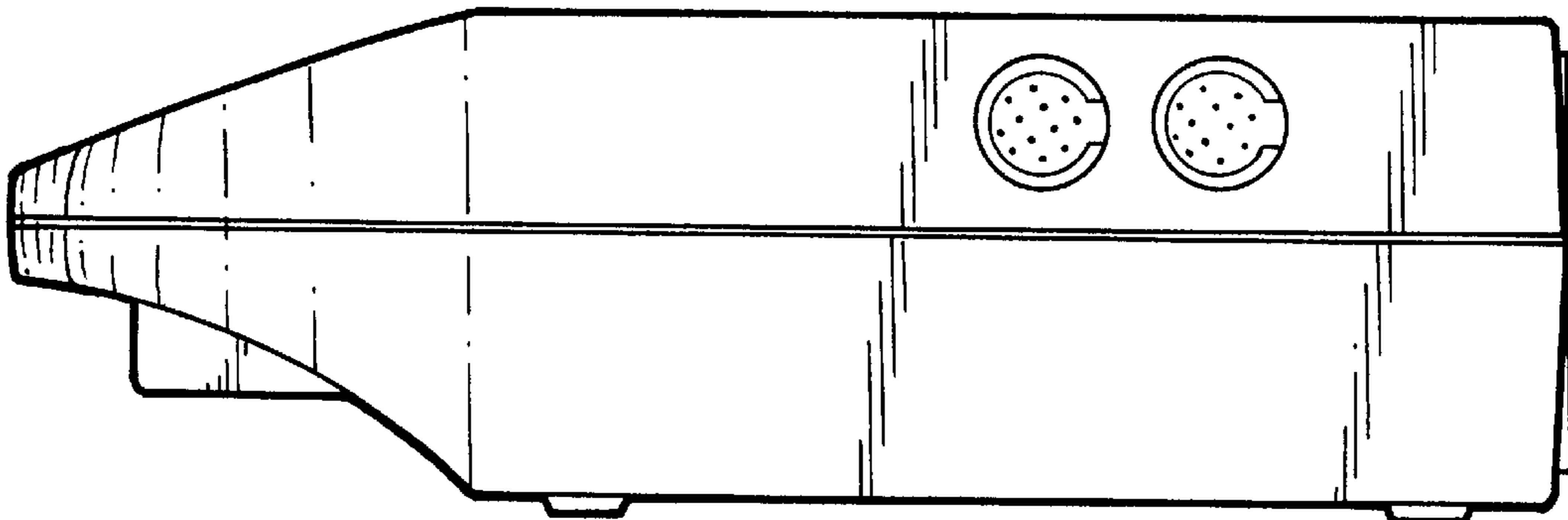


FIG. 3

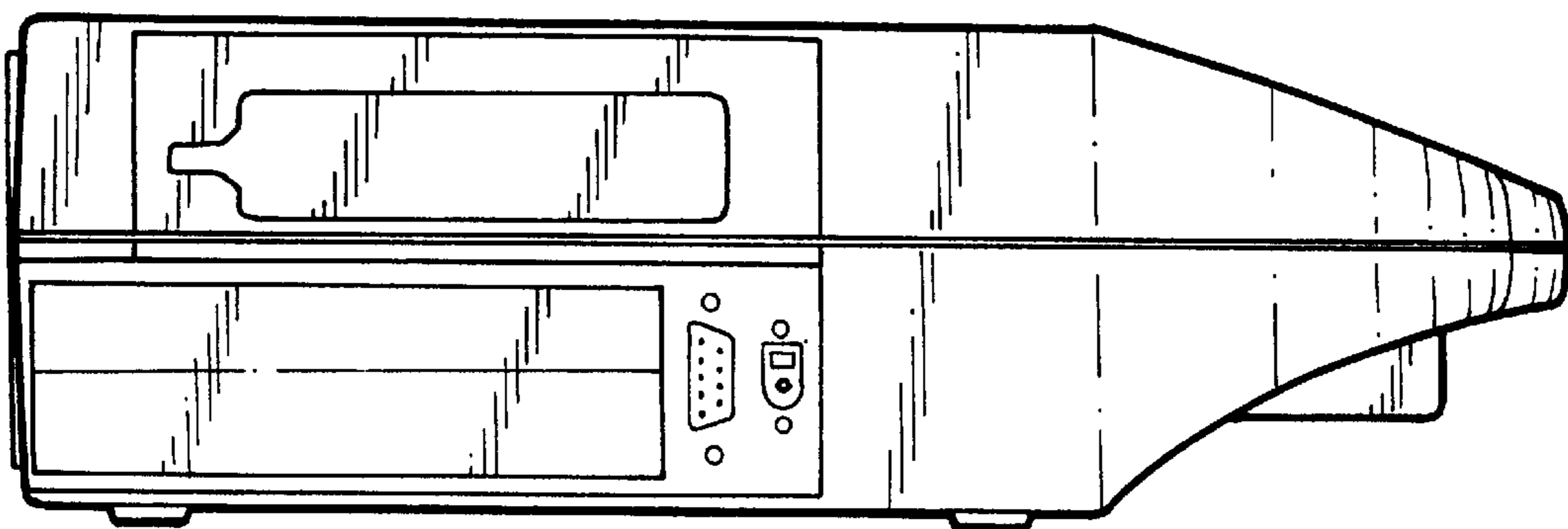


FIG. 4

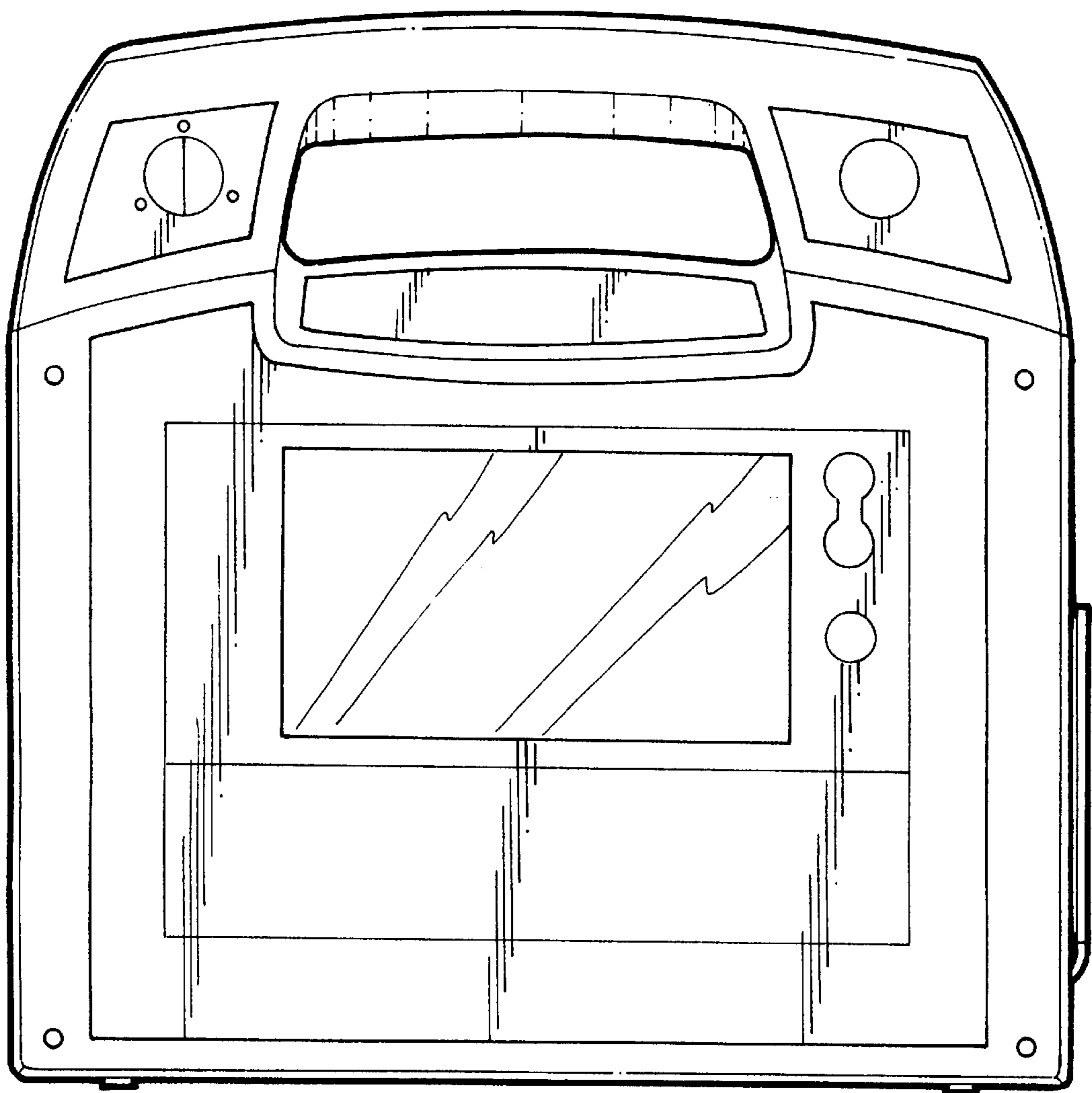


FIG. 5

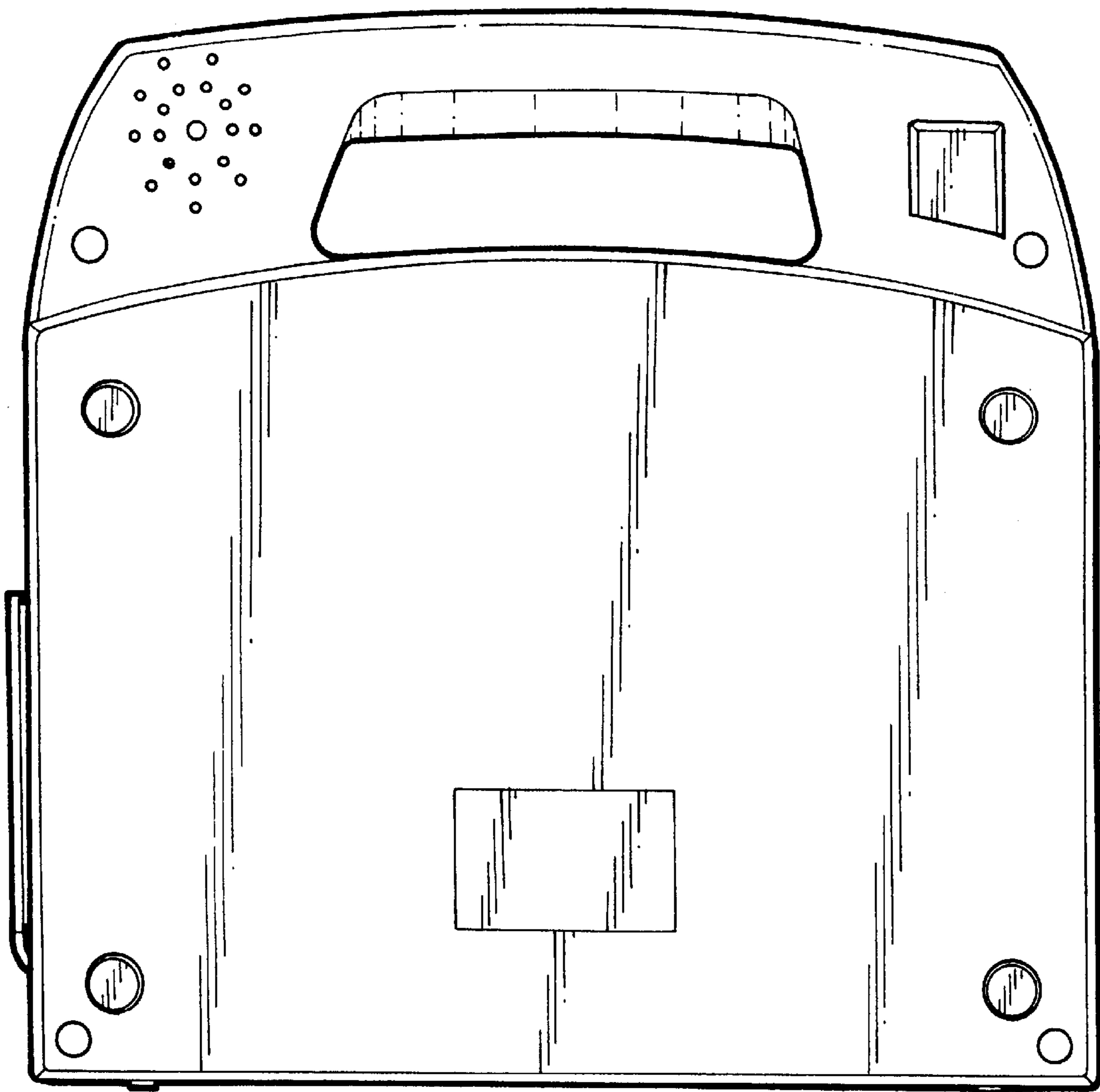


FIG. 6

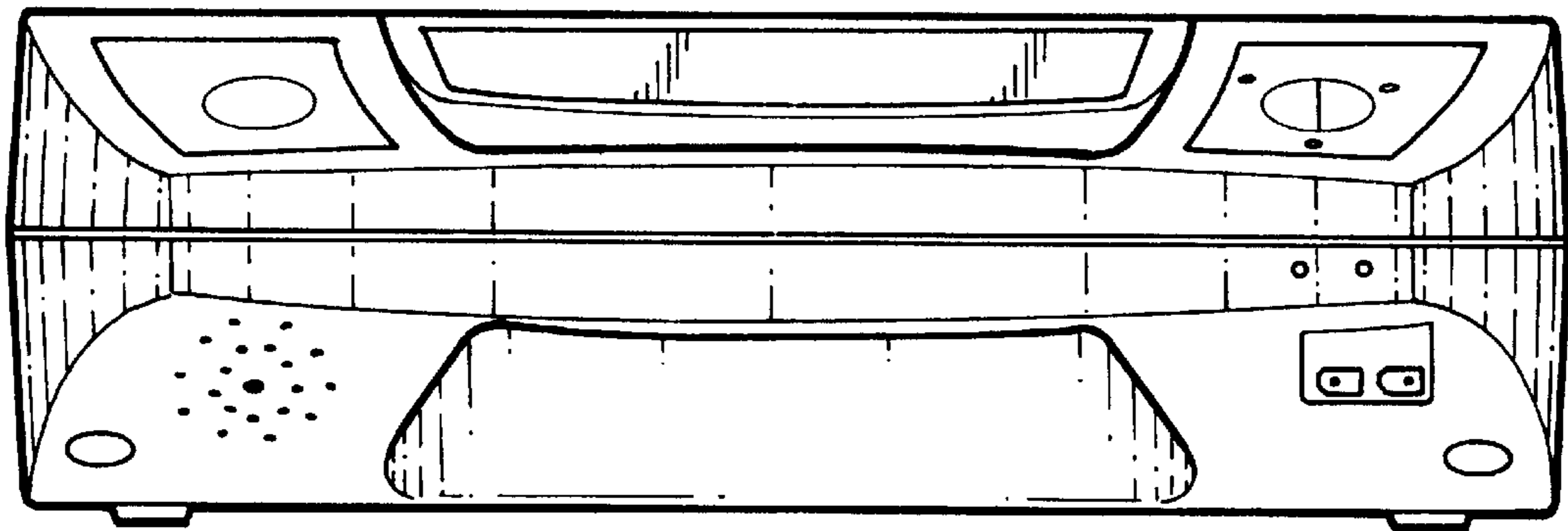


FIG. 7

