



US00D447235B1

(12) **United States Design Patent**  
**Stein**

(10) **Patent No.:** **US D447,235 S**

(45) **Date of Patent:** **\*\* Aug. 28, 2001**

(54) **COMPRESSIBLE PELVIC FLOOR MUSCLE EXERCISER**

4,574,791 \* 3/1986 Mitchener ..... 600/38  
5,213,577 \* 5/1993 Kratzer ..... 604/101  
5,865,715 \* 2/1999 Wallick ..... 482/124  
6,165,108 \* 12/2000 Ralston ..... 482/91

(76) **Inventor:** **Daniel S. Stein**, P.O. Box 49072, St. Petersburg, FL (US) 33743

\* cited by examiner

(\*\*) **Term:** **14 Years**

*Primary Examiner*—Ian Simmons

(21) **Appl. No.:** **29/123,027**

(74) *Attorney, Agent, or Firm*—Pettis & Van Royen, P.A.

(22) **Filed:** **May 9, 2000**

(57) **CLAIM**

(51) **LOC (7) Cl.** ..... **24-02**

The ornamental design for a compressible pelvic floor muscle exerciser, as shown and described.

(52) **U.S. Cl.** ..... **D24/135**

**DESCRIPTION**

(58) **Field of Search** ..... D24/135, 133, D24/188, 200; 482/105, 91, 93, 148, 124, 149; 607/77; 600/38, 39, 41, 40, 591; 606/197, 192, 191

FIG. 1 is an isometric view of the compressible pelvic floor muscle exerciser showing my new design; FIG. 2 is a top plan thereof, the bottom plan view being identical thereto;

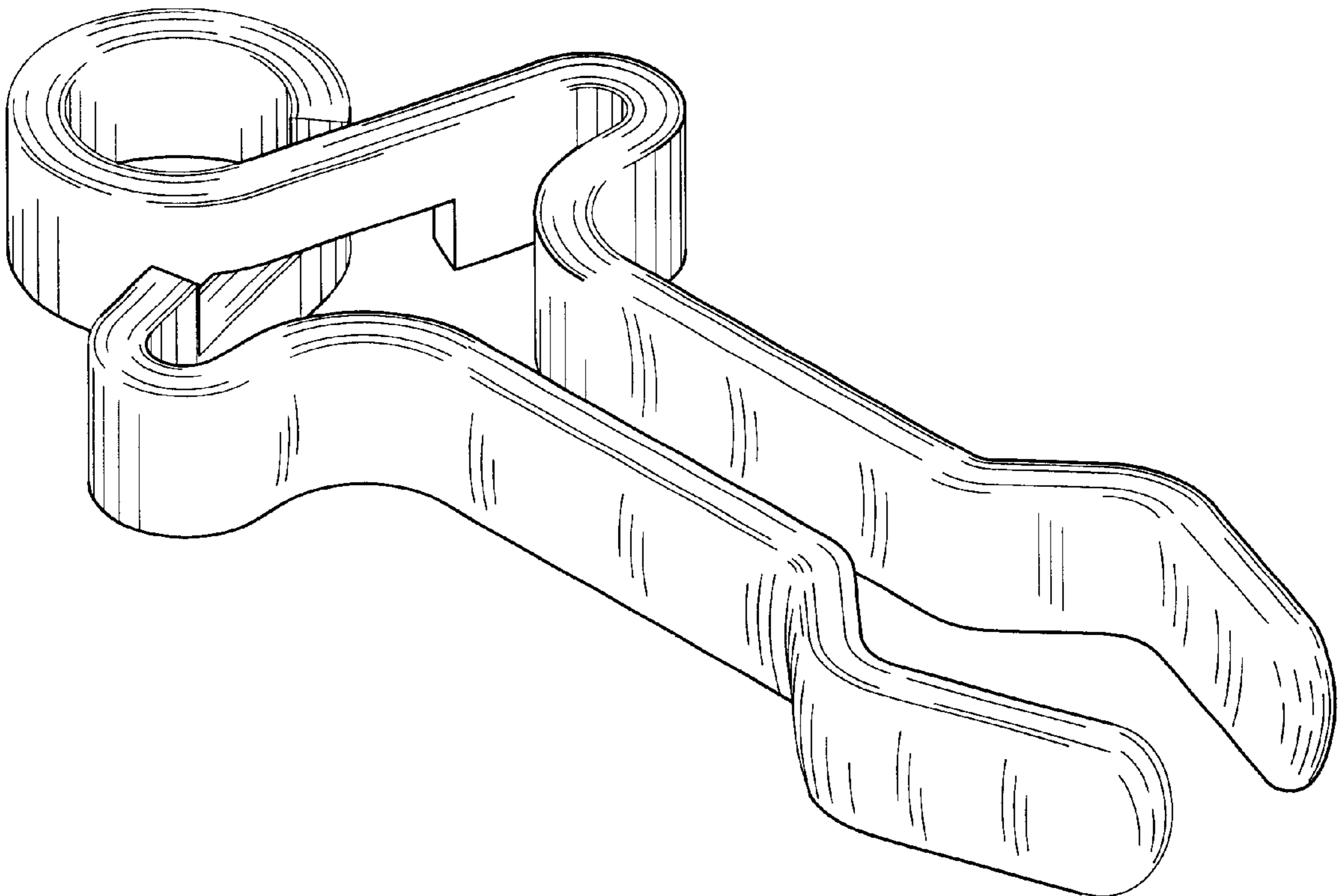
(56) **References Cited**

**U.S. PATENT DOCUMENTS**

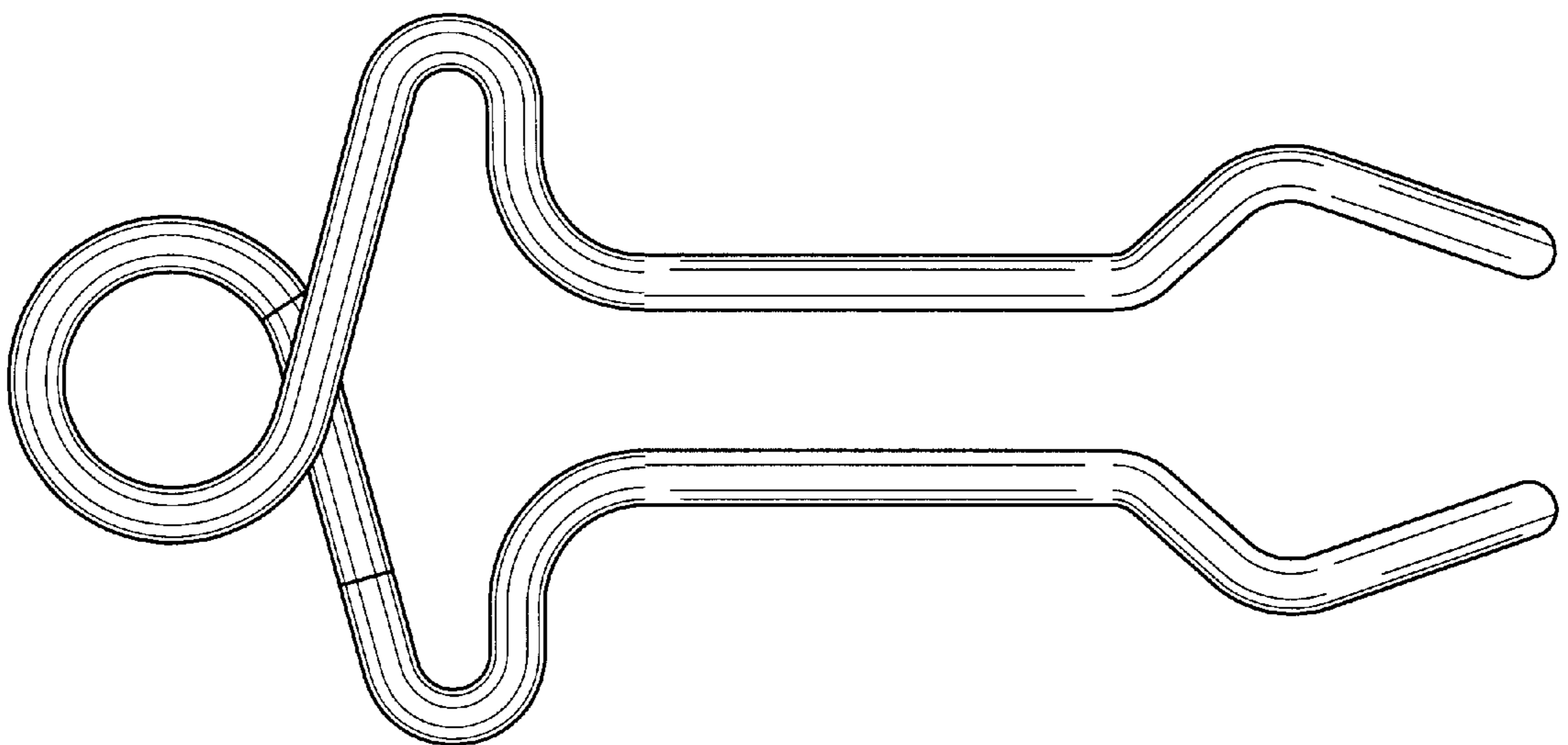
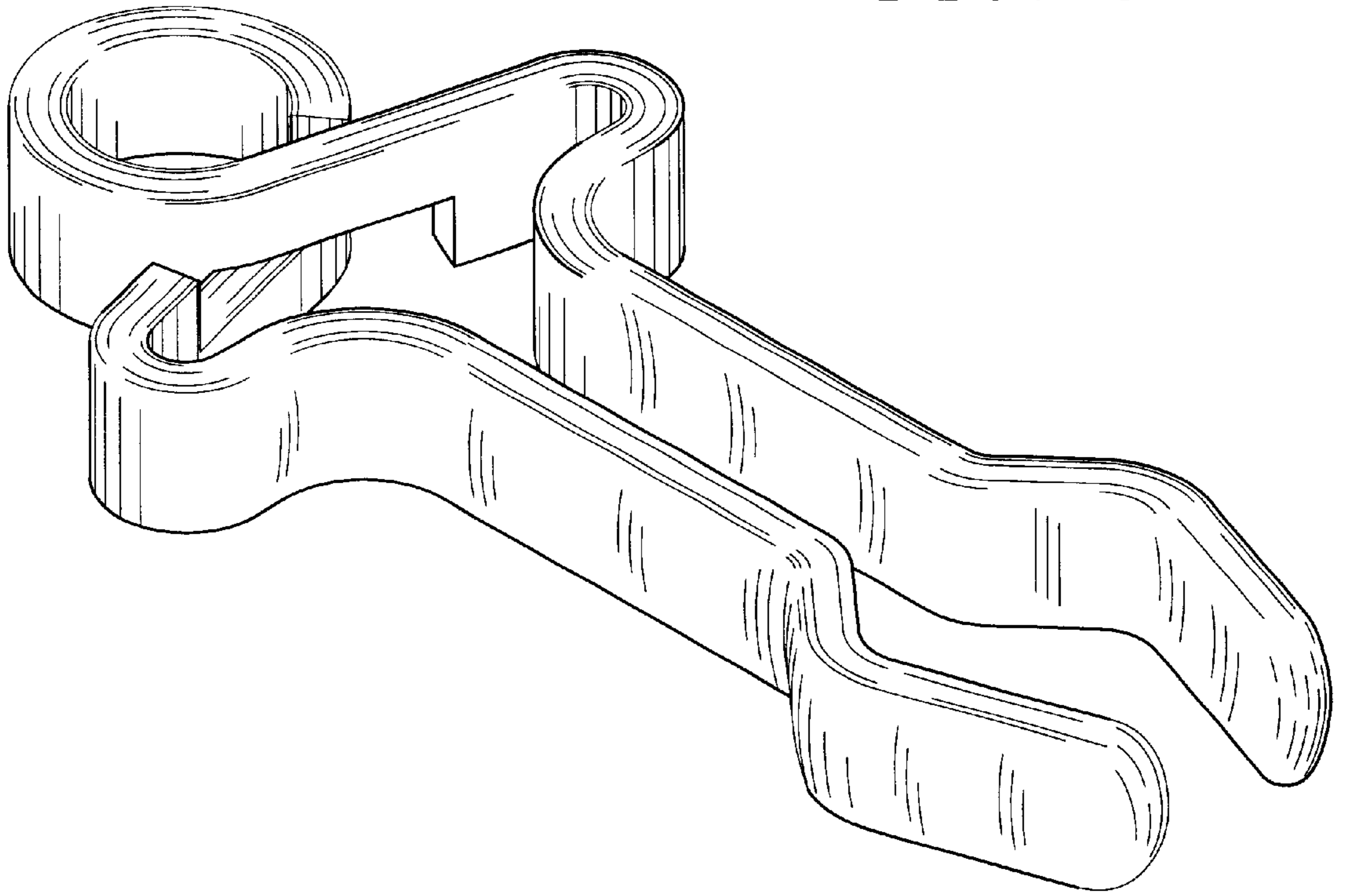
D. 232,779 \* 9/1974 Olson ..... D24/135  
D. 414,871 \* 10/1999 Myers et al. .... D24/187  
3,675,642 \* 7/1972 Lord ..... 606/197

FIG. 3 is front elevational view thereof; FIG. 4 is a rear elevational view thereof; FIG. 5 is a left side elevational view thereof; and, FIG. 6 is a right side elevational view thereof.

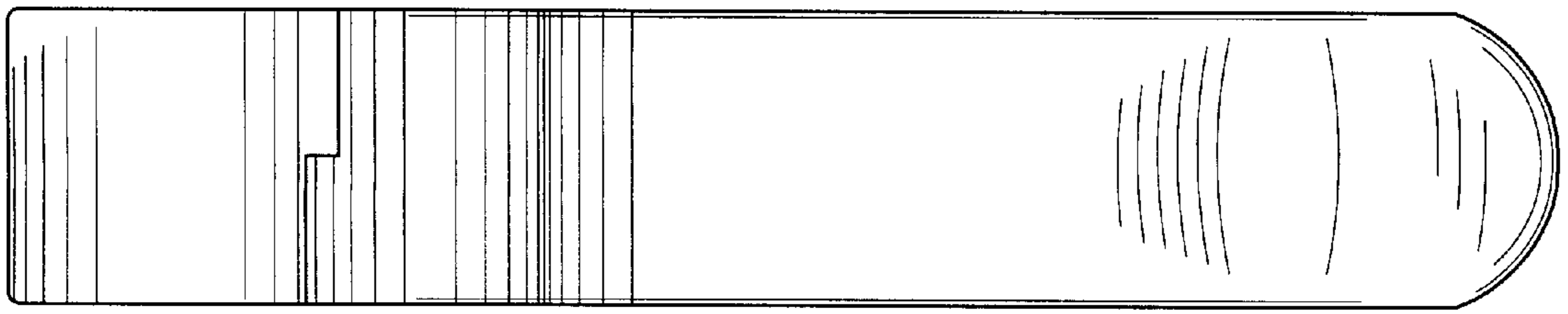
**1 Claim, 2 Drawing Sheets**



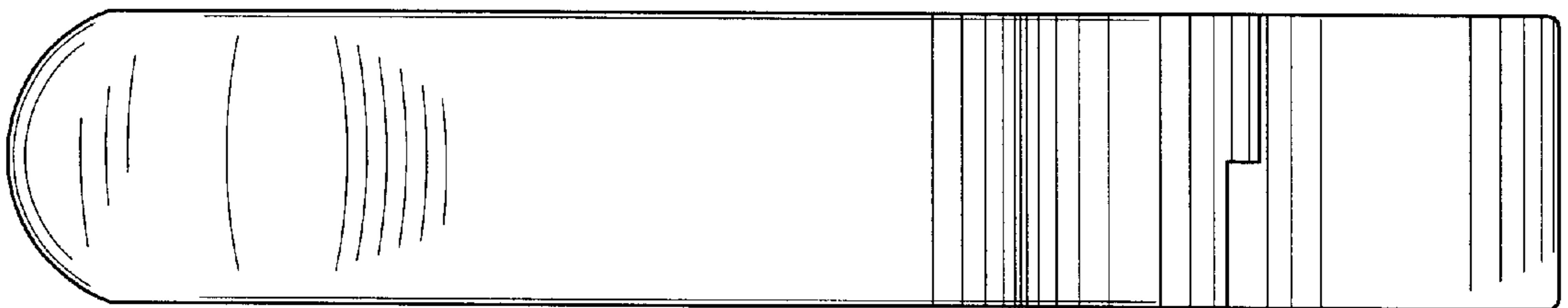
*FIG. 1*



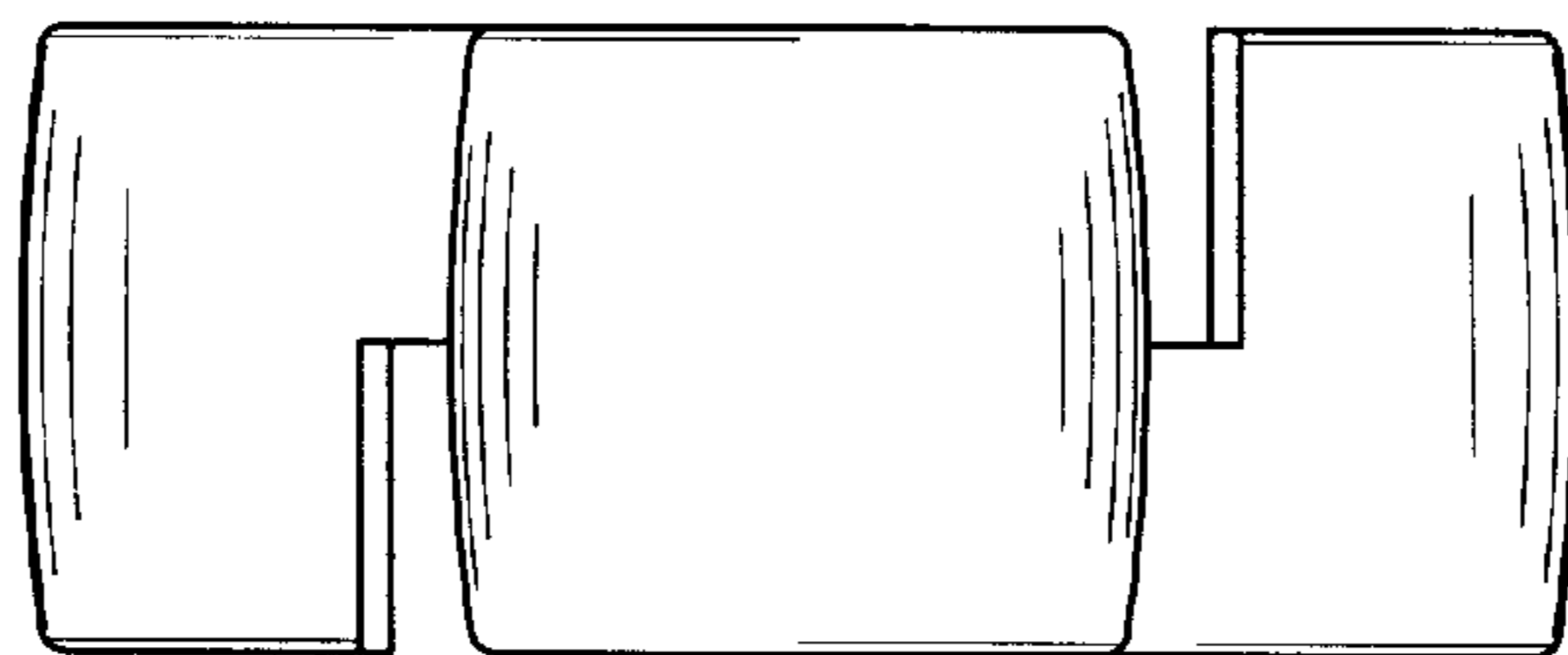
*FIG. 2*



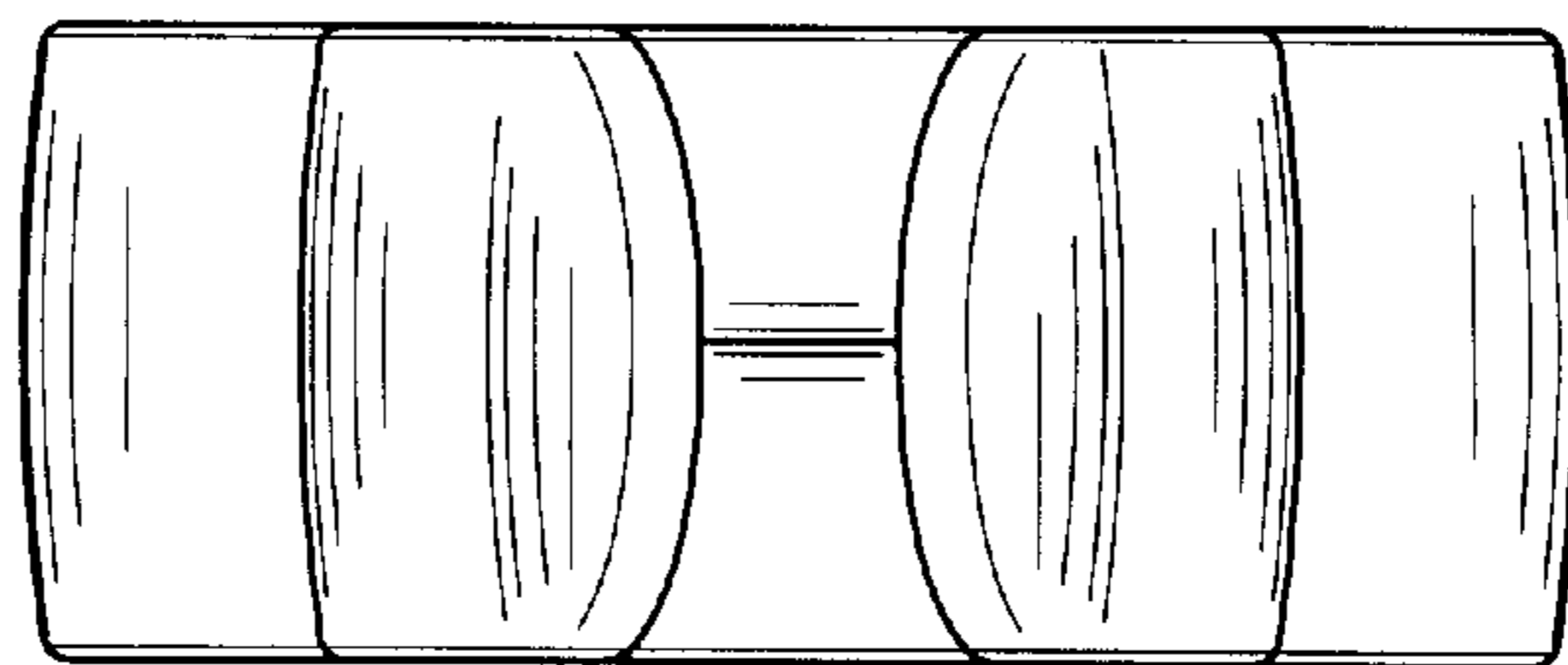
*FIG. 3*



*FIG. 4*



*FIG. 5*



*FIG. 6*