



US00D447234B1

(12) **United States Design Patent**  
**Stein**

(10) **Patent No.:** **US D447,234 S**

(45) **Date of Patent:** **\*\* Aug. 28, 2001**

(54) **COMPRESSIBLE PELVIC FLOOR MUSCLE EXERCISER**

4,574,791	*	3/1986	Mitchener	.....	600/38
5,213,577	*	5/1993	Kratzer	.....	604/101
5,865,715	*	2/1999	Wallick	.....	482/124
6,165,108	*	12/2000	Ralston	.....	482/91

(76) **Inventor:** **Daniel S. Stein**, P.O. Box 49072, St. Petersburg, FL (US) 33743

\* cited by examiner

(\*\*) **Term:** **14 Years**

*Primary Examiner*—Ian Simmons

(21) **Appl. No.:** **29/123,026**

(74) *Attorney, Agent, or Firm*—Pettis & Van Royen, P.A.

(22) **Filed:** **May 9, 2000**

(57) **CLAIM**

(51) **LOC (7) Cl.** ..... **24-02**

The ornamental design for a compressible pelvic floor muscle exerciser, as shown and described.

(52) **U.S. Cl.** ..... **D24/135**

**DESCRIPTION**

(58) **Field of Search** ..... D24/135, 188, D24/133, 200; 482/105, 91, 93, 148, 124, 149; 607/77; 600/38, 39, 40, 41, 591; 606/197, 192, 191

FIG. 1 is an isometric view of the compressible pelvic floor muscle exerciser showing my new design; FIG. 2 is a front elevational view thereof, the rear elevational view, the top plan view, and the bottom plan view being identical thereto;

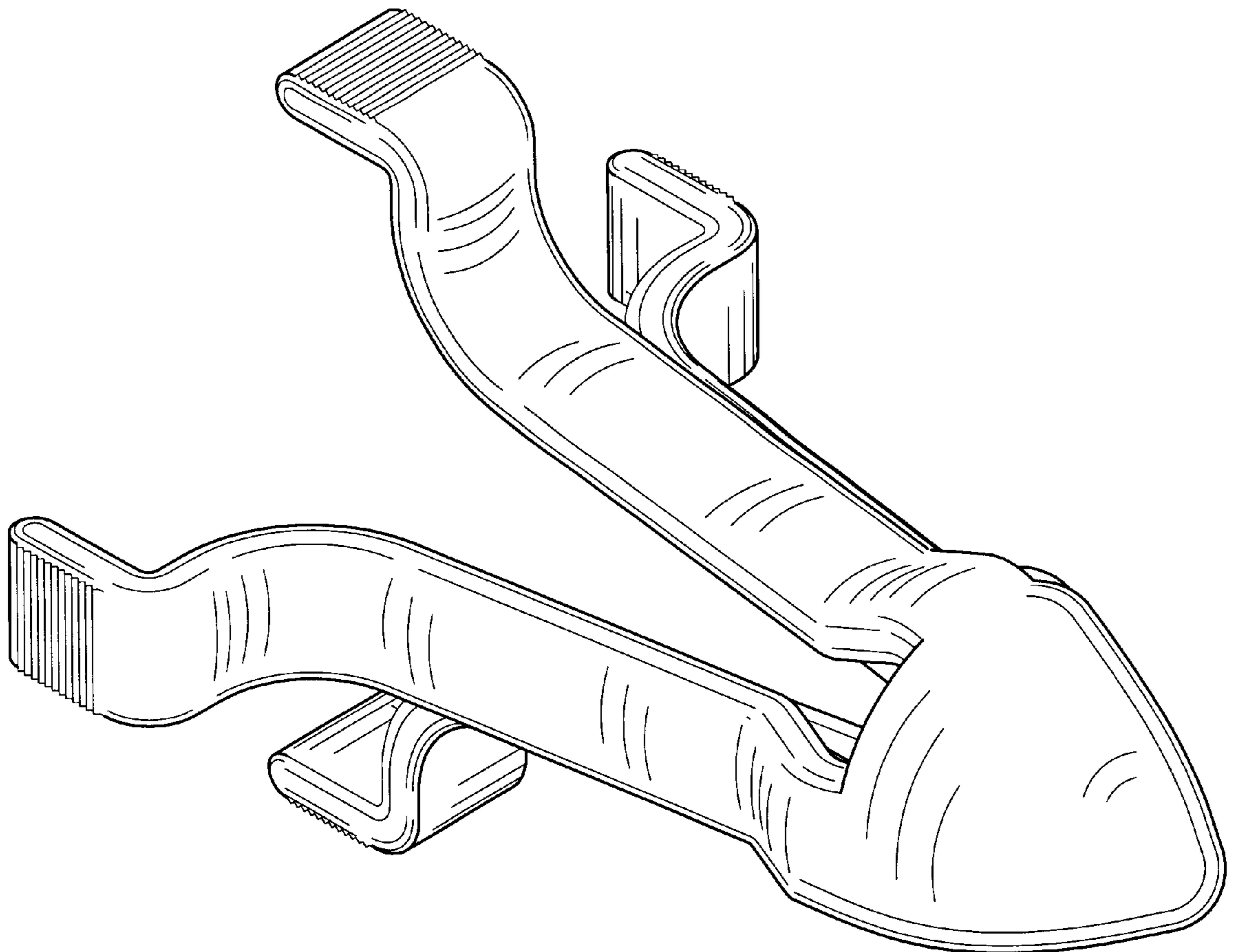
(56) **References Cited**

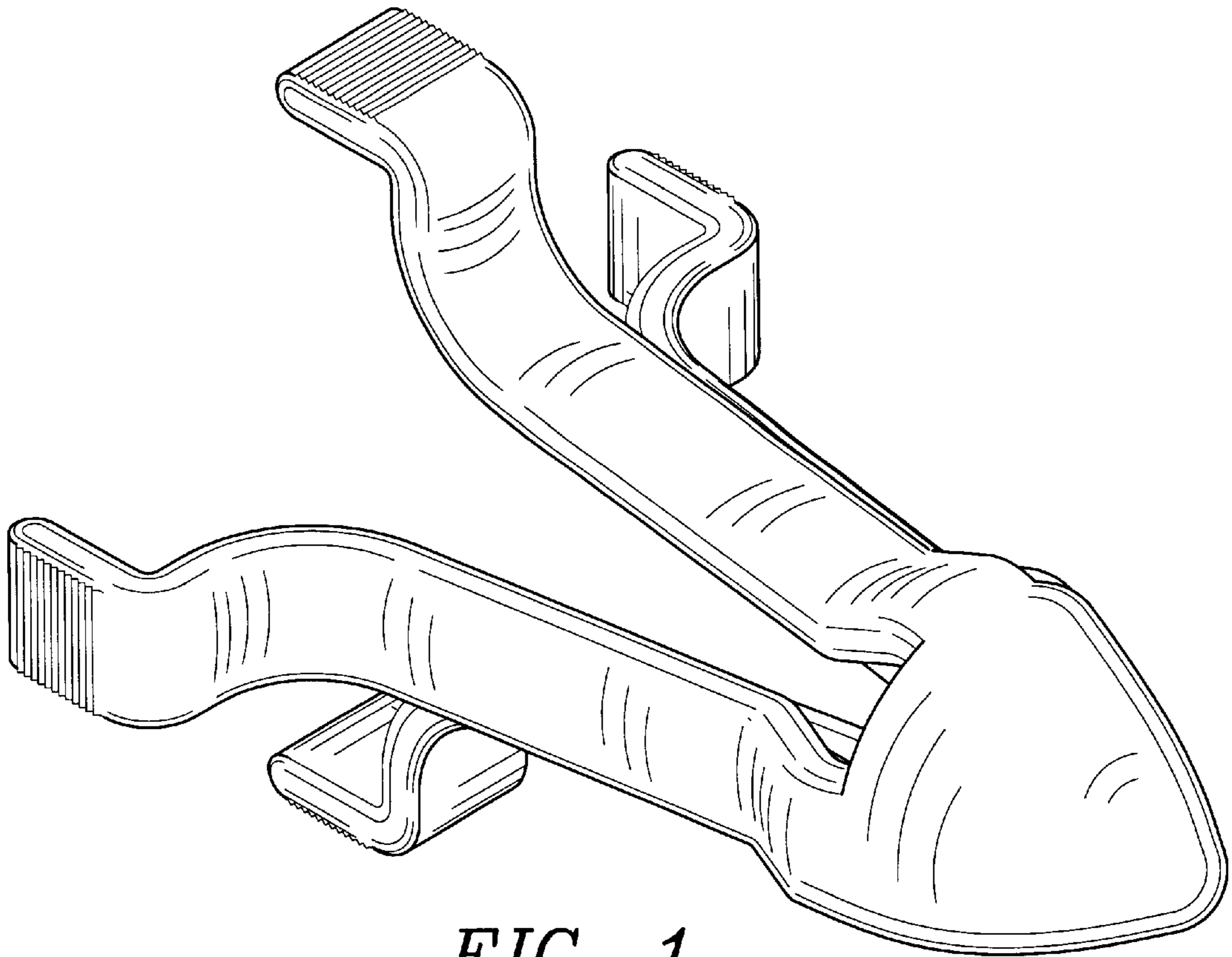
**U.S. PATENT DOCUMENTS**

D. 414,871	*	10/1999	Myers et al.	.....	D24/187
3,675,642	*	7/1972	Lord	.....	606/197

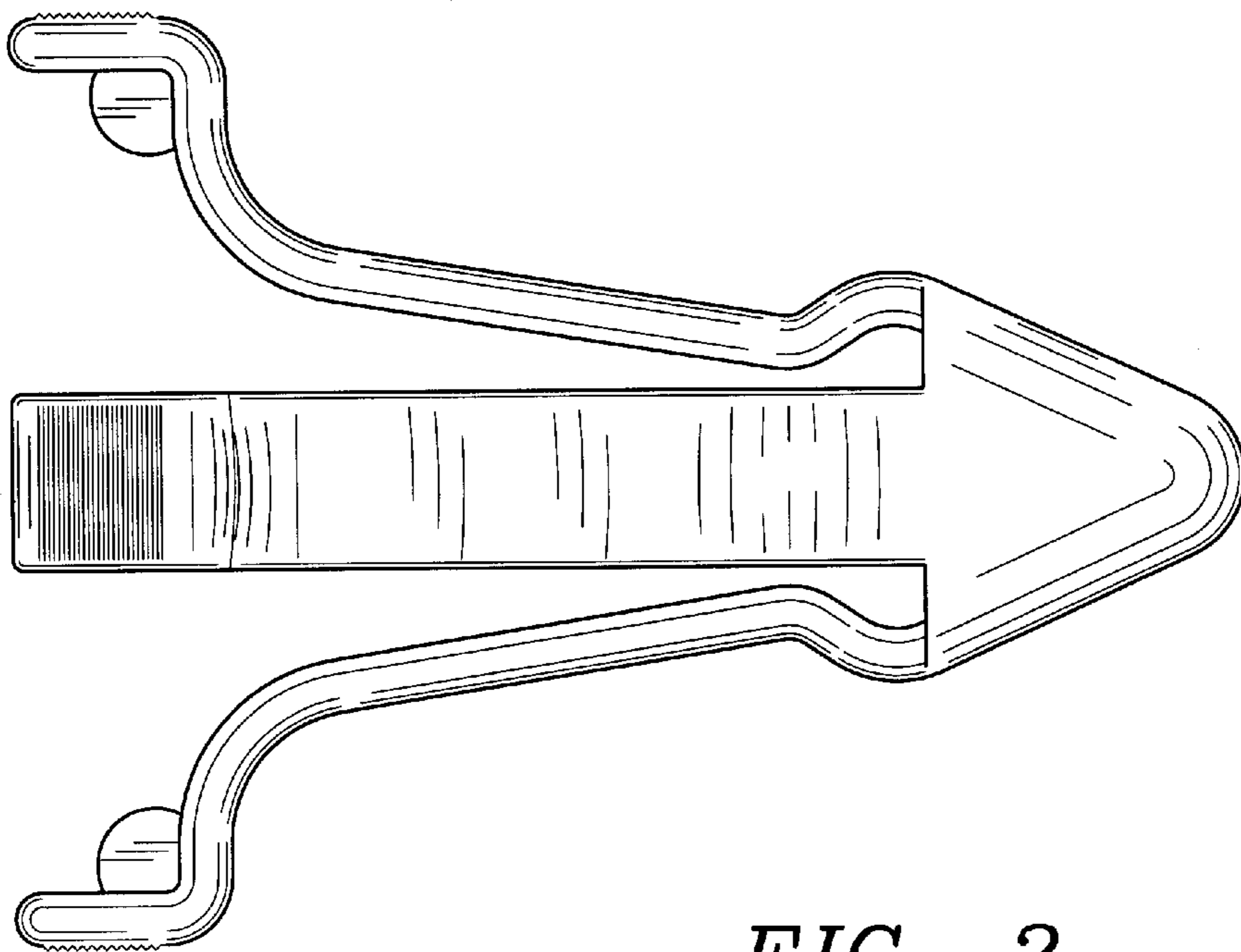
FIG. 3 is a right side elevational view thereof; and, FIG. 4 is a left side elevational view thereof.

**1 Claim, 2 Drawing Sheets**

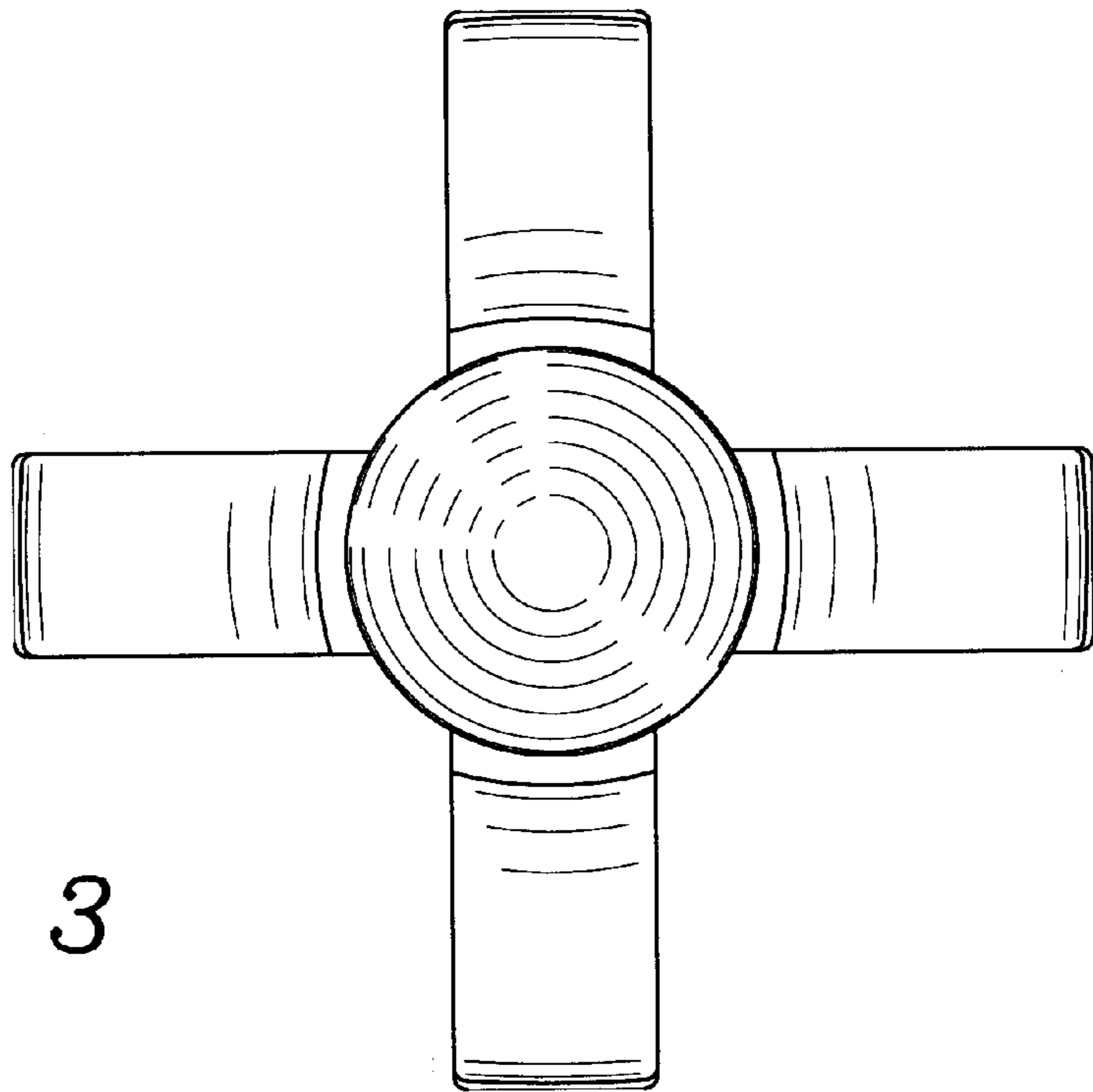




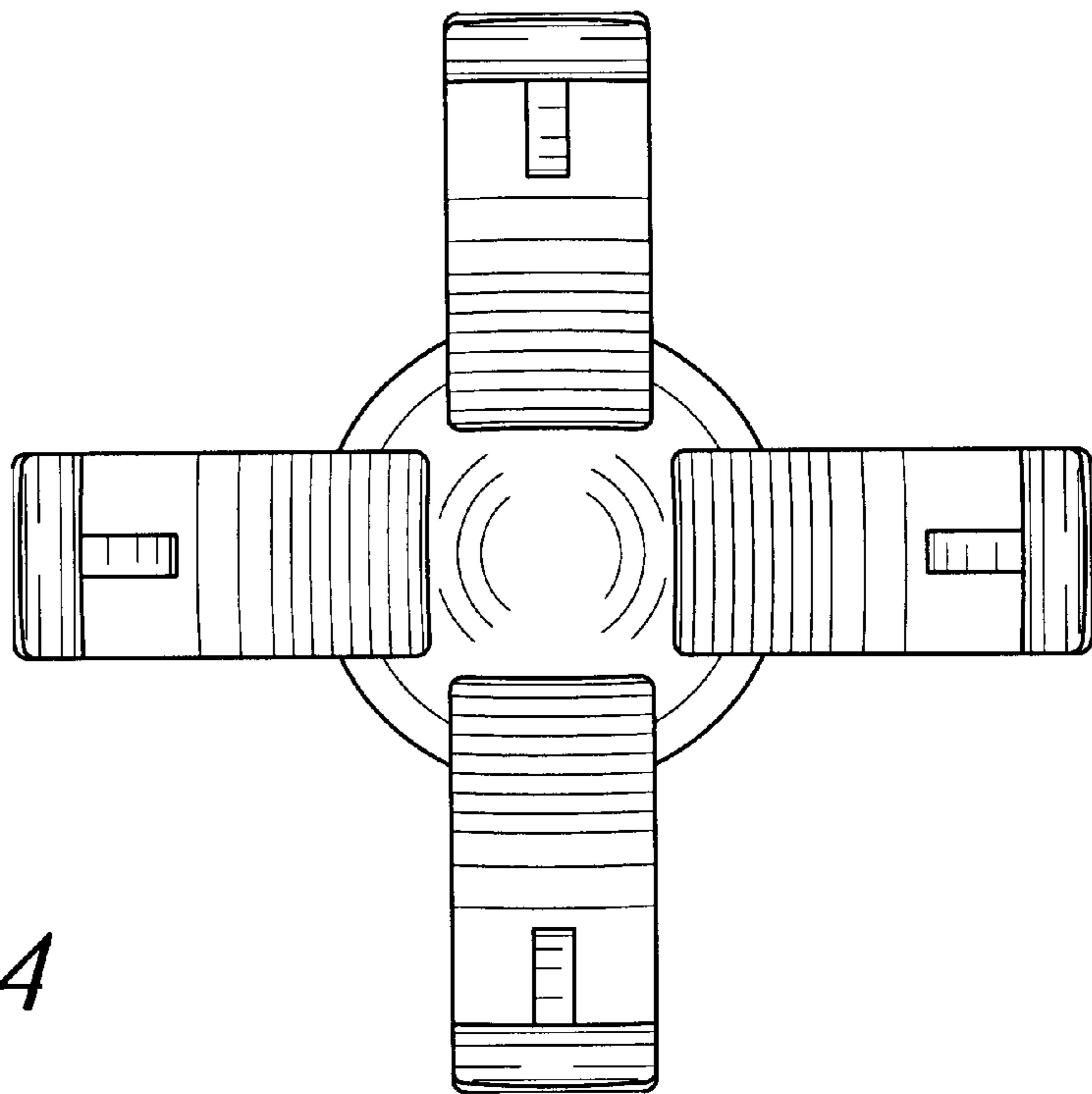
*FIG. 1*



*FIG. 2*



*FIG. 3*



*FIG. 4*