



US00D447233B1

(12) **United States Design Patent**
Bickel et al.

(10) **Patent No.:** **US D447,233 S**

(45) **Date of Patent:** **** Aug. 28, 2001**

(54) **NEEDLE DISPOSAL CONTAINER**
(75) Inventors: **Christopher R. Bickel**, Parsippany;
Kevin J. Seifert, Kinnelon; **David F. Vincenti**, West Caldwell, all of NJ (US)

5,409,113 * 4/1995 Richardson et al. 206/366
5,415,315 * 5/1995 Ramirez 220/346
5,573,113 * 11/1996 Shillington et al. 206/366
5,857,569 * 1/1999 Hoftman et al. 206/366

* cited by examiner

(73) Assignee: **Becton Dickinson and Company**,
Franklin Lakes, NJ (US)

Primary Examiner—Ian Simmons

(74) *Attorney, Agent, or Firm*—Nanette S. Thomas, Esq.

(**) Term: **14 Years**

(57) **CLAIM**

(21) Appl. No.: **29/122,479**

The ornamental design for a needle disposal container, as shown and described.

(22) Filed: **Apr. 27, 2000**

DESCRIPTION

(51) **LOC (7) Cl.** **24-02**

(52) **U.S. Cl.** **D24/131**

(58) **Field of Search** D24/131; D34/1,
D34/7, 10, 11; D3/302, 272; D9/423, 424;
206/366, 365, 367, 369, 370; 220/810,
825, 830, 908, 365

FIG. 1 is a perspective view of the needle disposal container;
FIG. 2 is a top plan view of the needle disposal container of
FIG. 1;

FIG. 3 is a front plan view of the needle disposal container
of FIG. 1;

FIG. 4 is a right side view of the needle disposal container
of FIG. 1;

FIG. 5 is a left side view of the needle disposal container of
FIG. 1;

FIG. 6 is a back plan view of the needle disposal container
of FIG. 1; and,

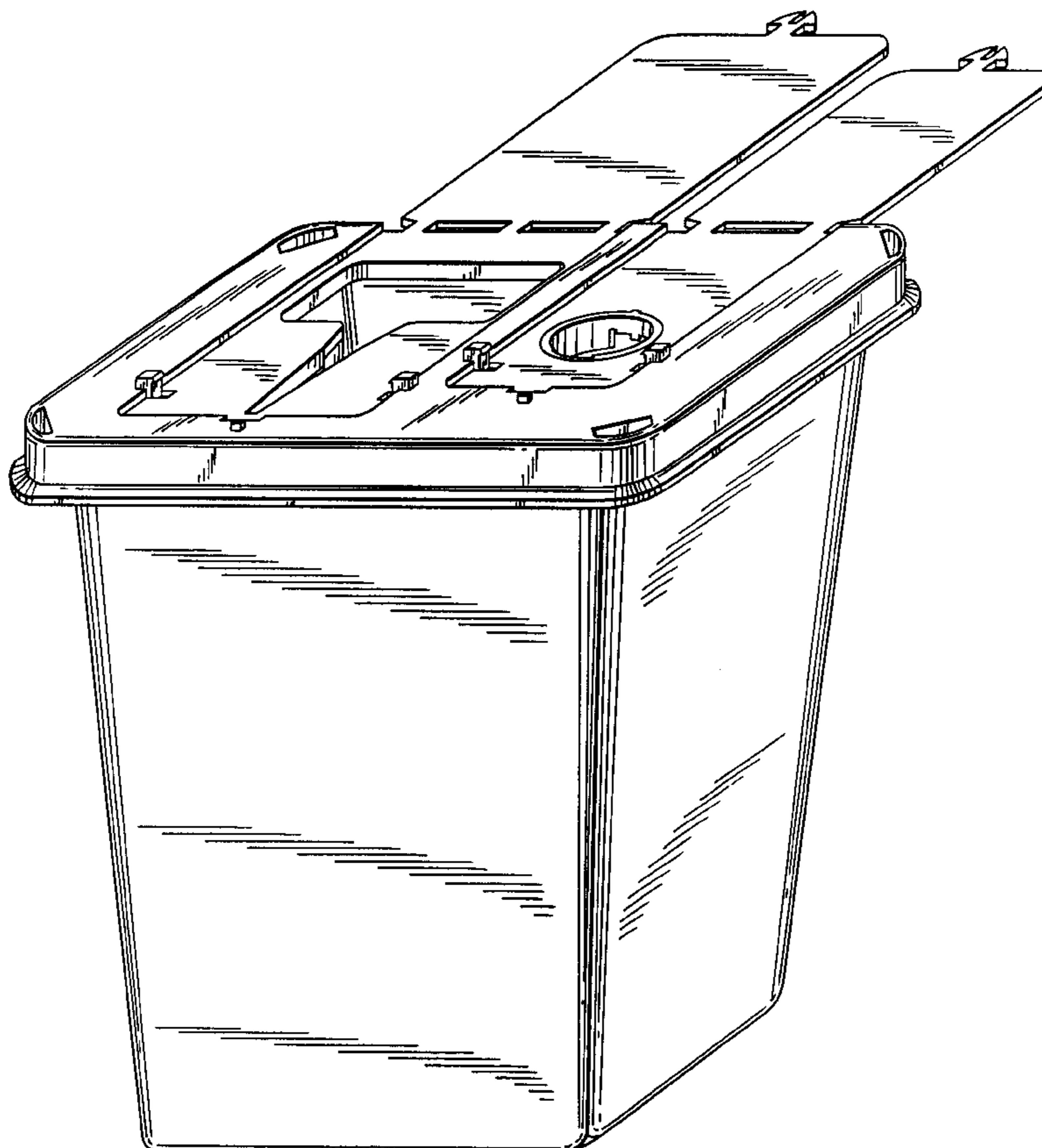
FIG. 7 is a bottom plan view of the needle disposal container
of FIG. 1.

(56) **References Cited**

U.S. PATENT DOCUMENTS

D. 292,037 * 9/1987 Hanifl D34/7
D. 360,062 * 7/1995 Mosior D24/131
5,092,462 * 3/1992 Sagstetter et al. 206/366
5,273,161 * 12/1993 Sagstetter 206/366
5,402,887 * 4/1995 Shillington 206/366

1 Claim, 7 Drawing Sheets



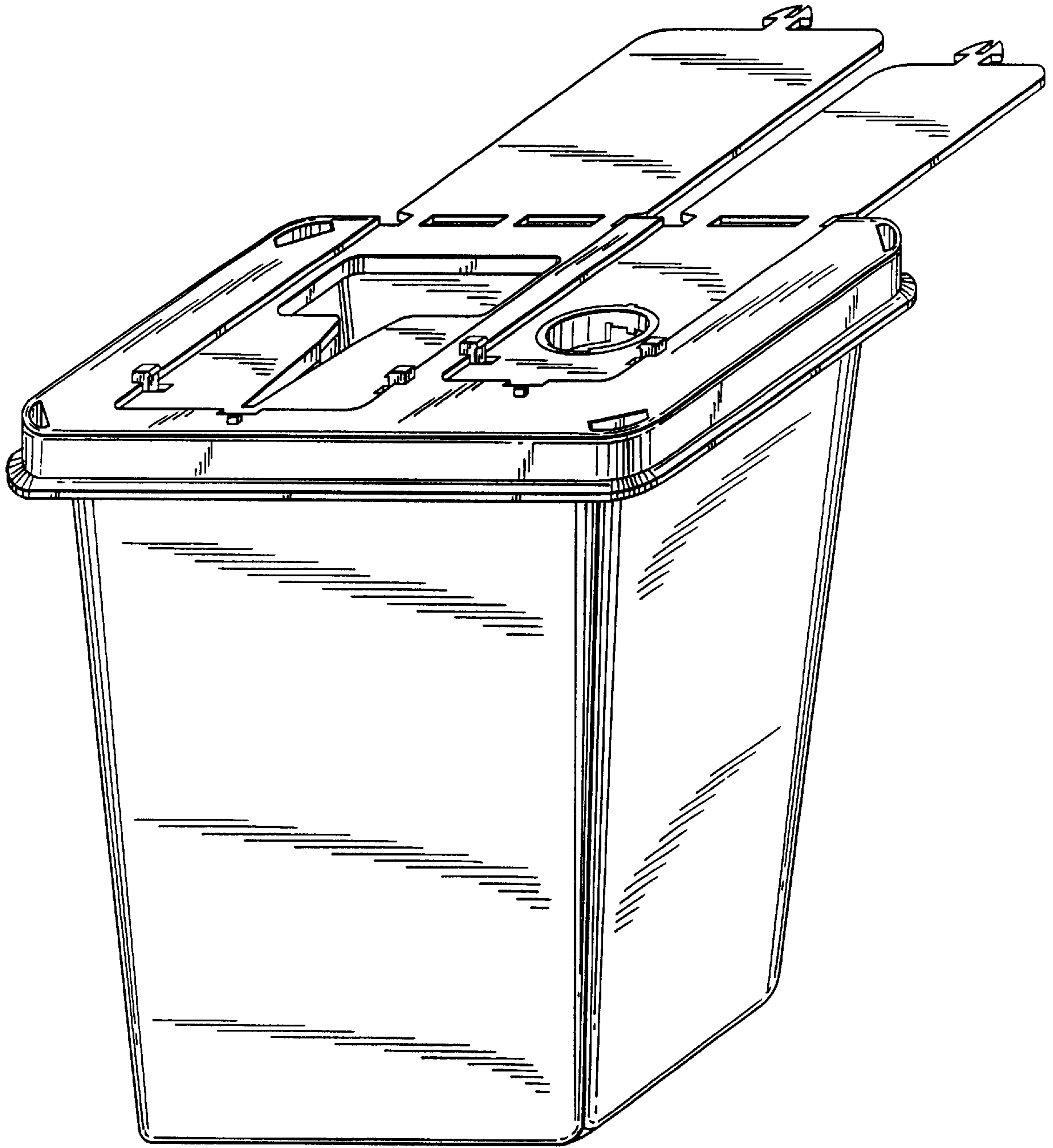


FIG. 1

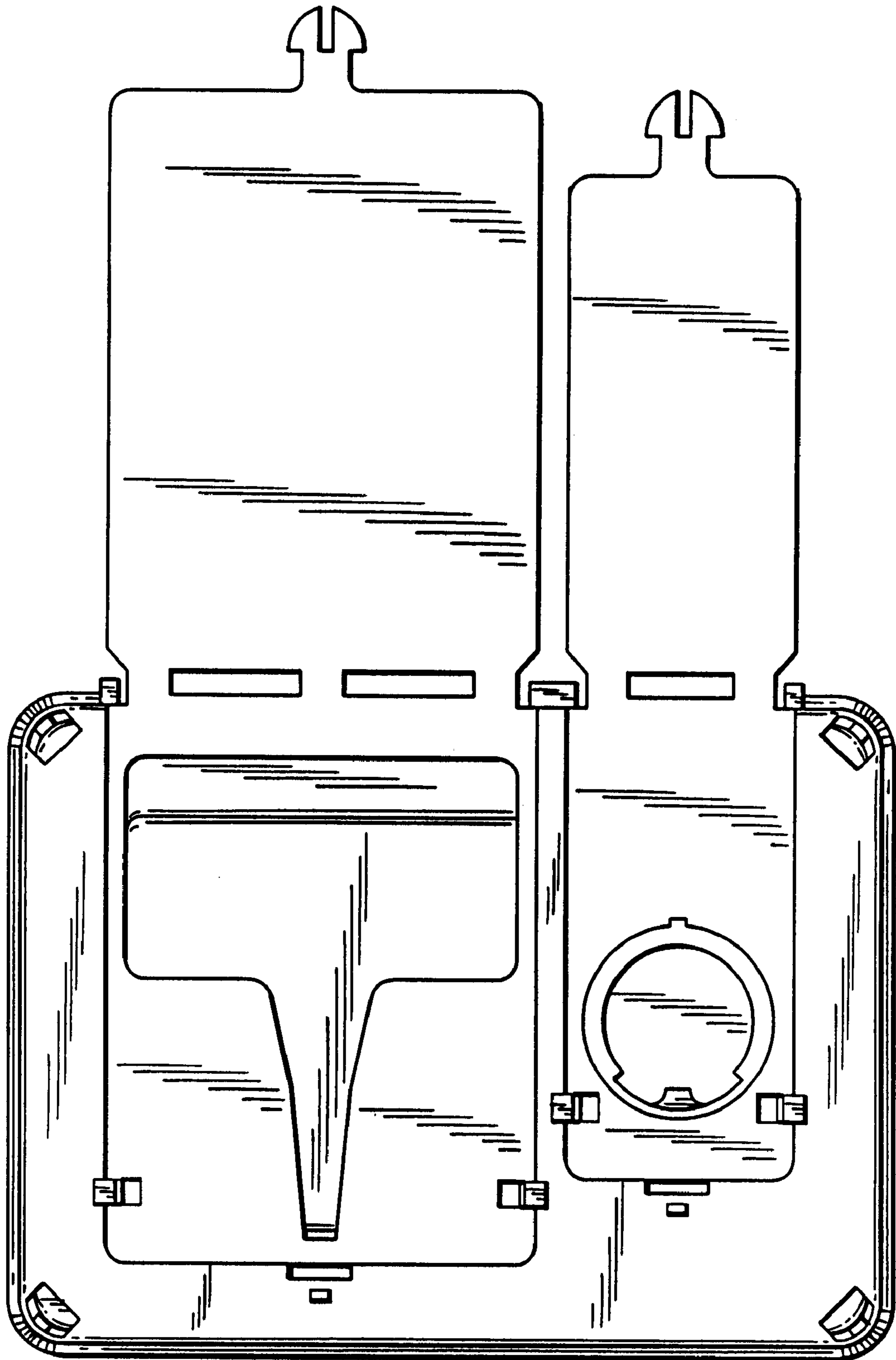


FIG.2

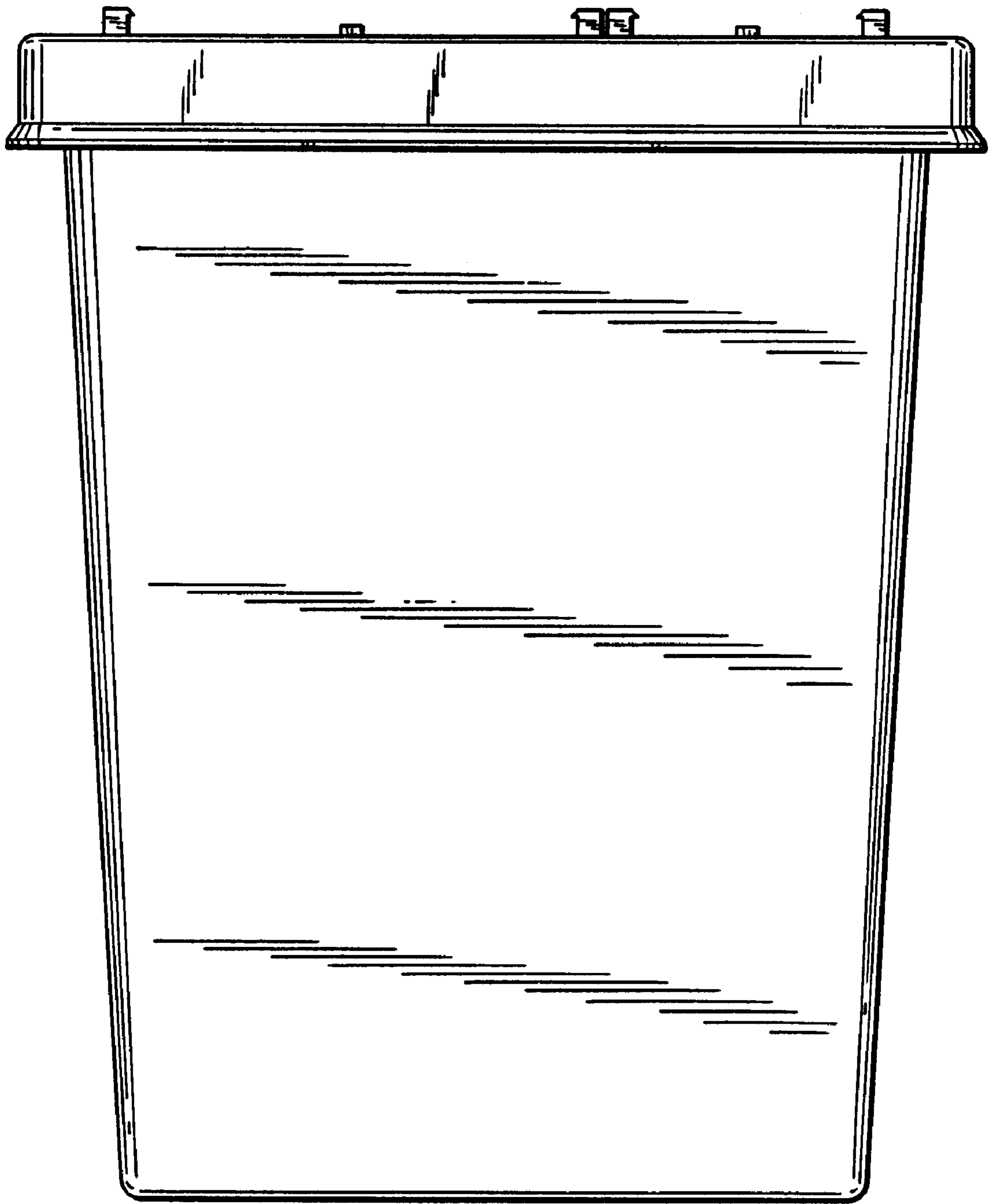


FIG.3

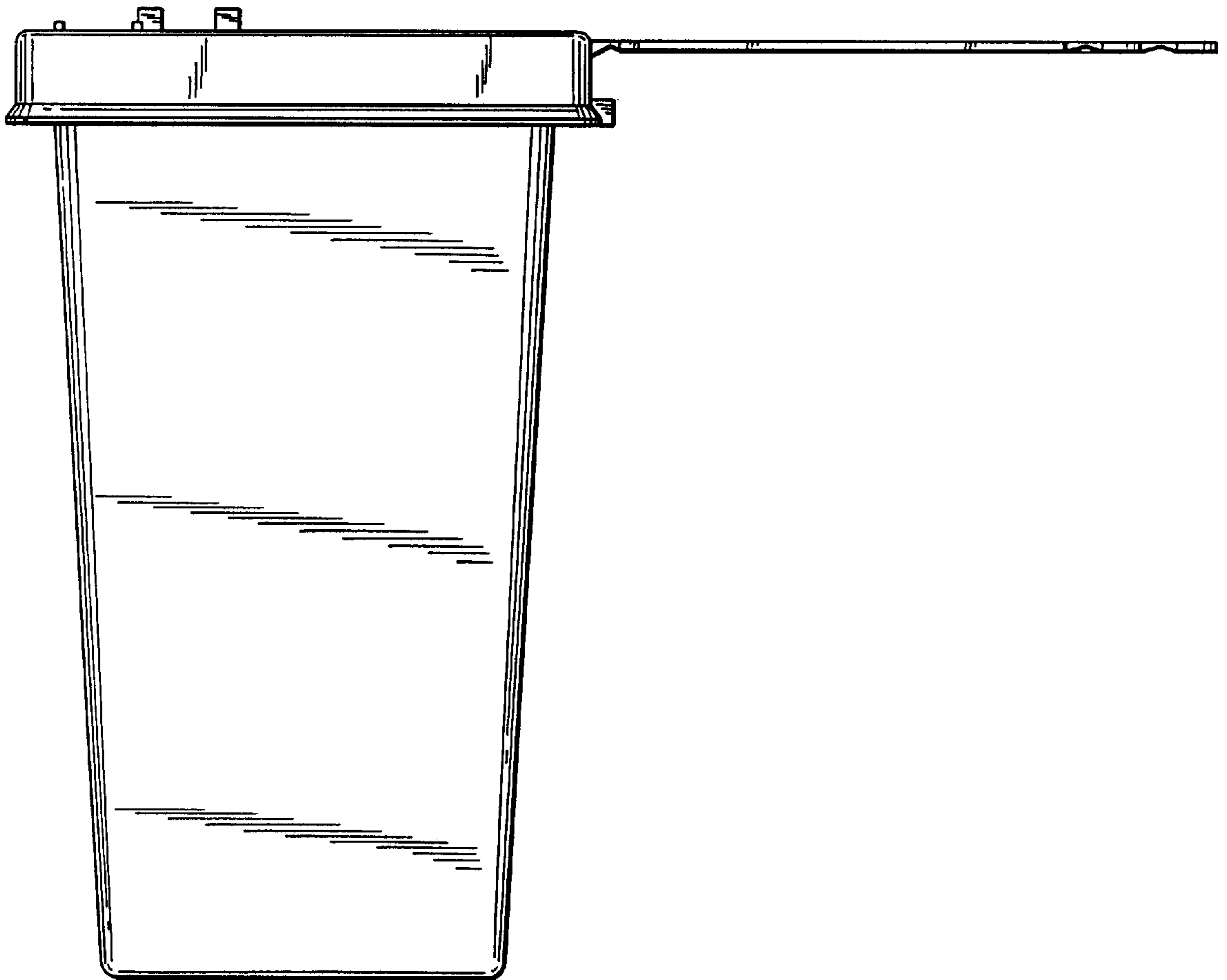


FIG.4

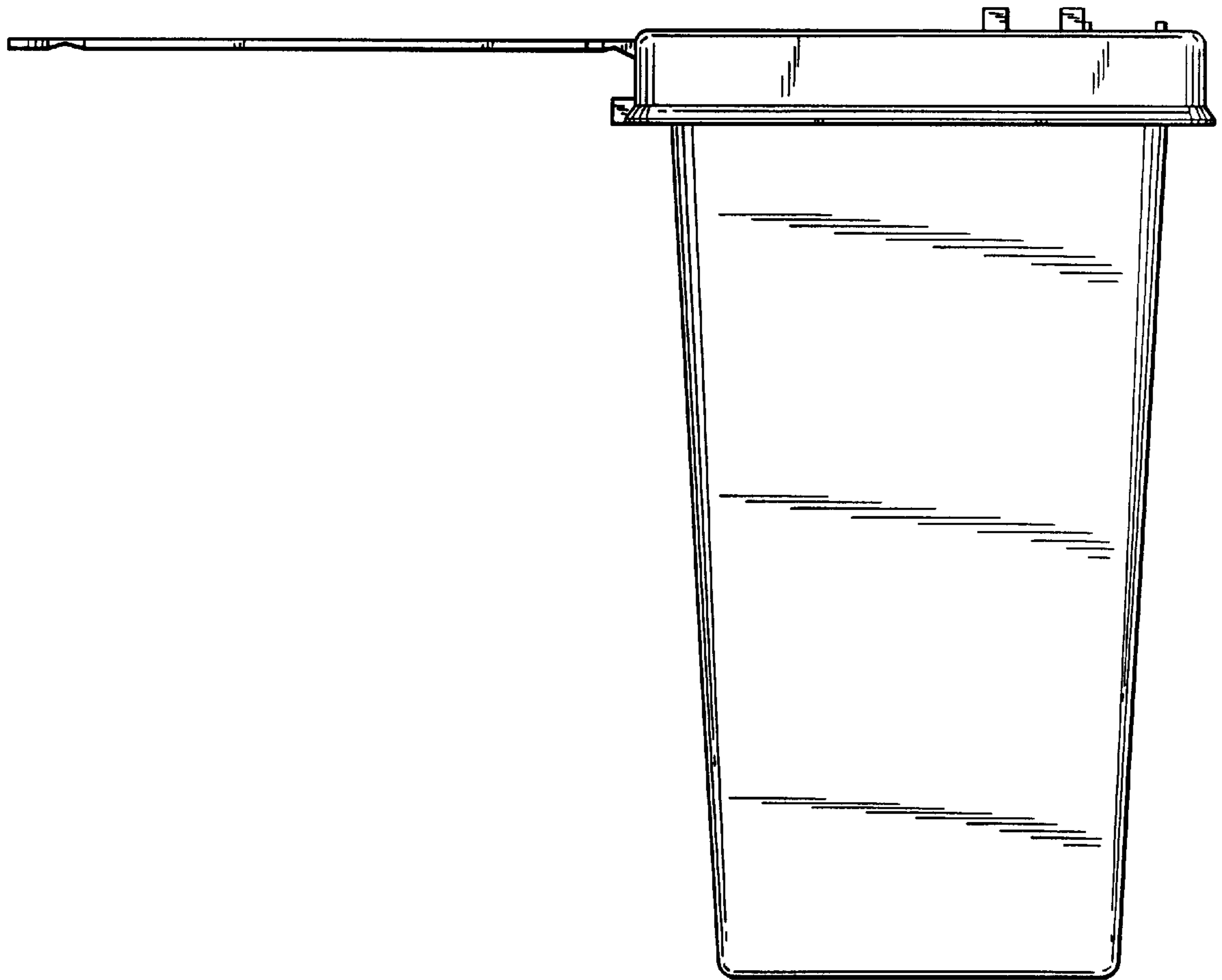


FIG.5

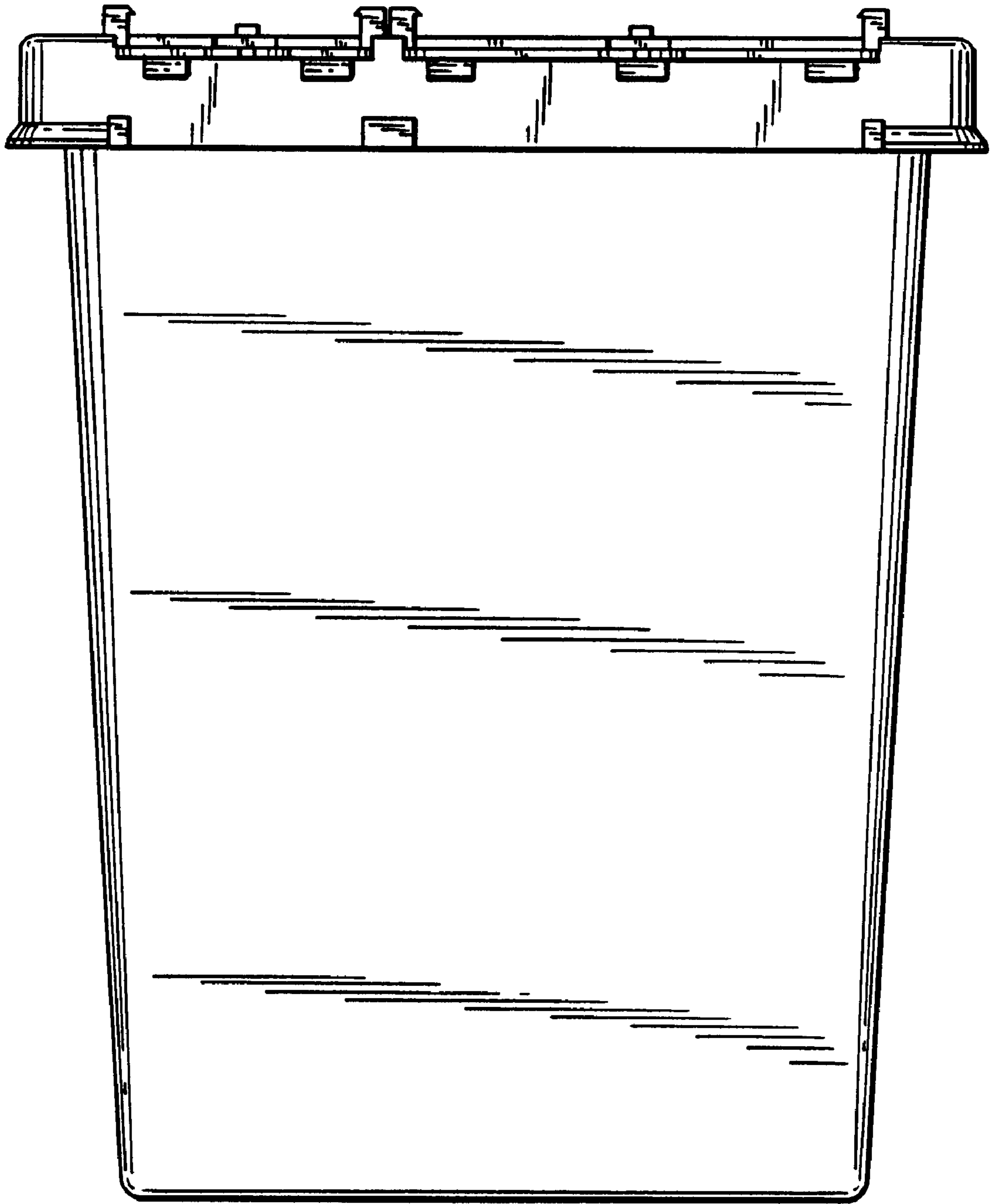


FIG.6

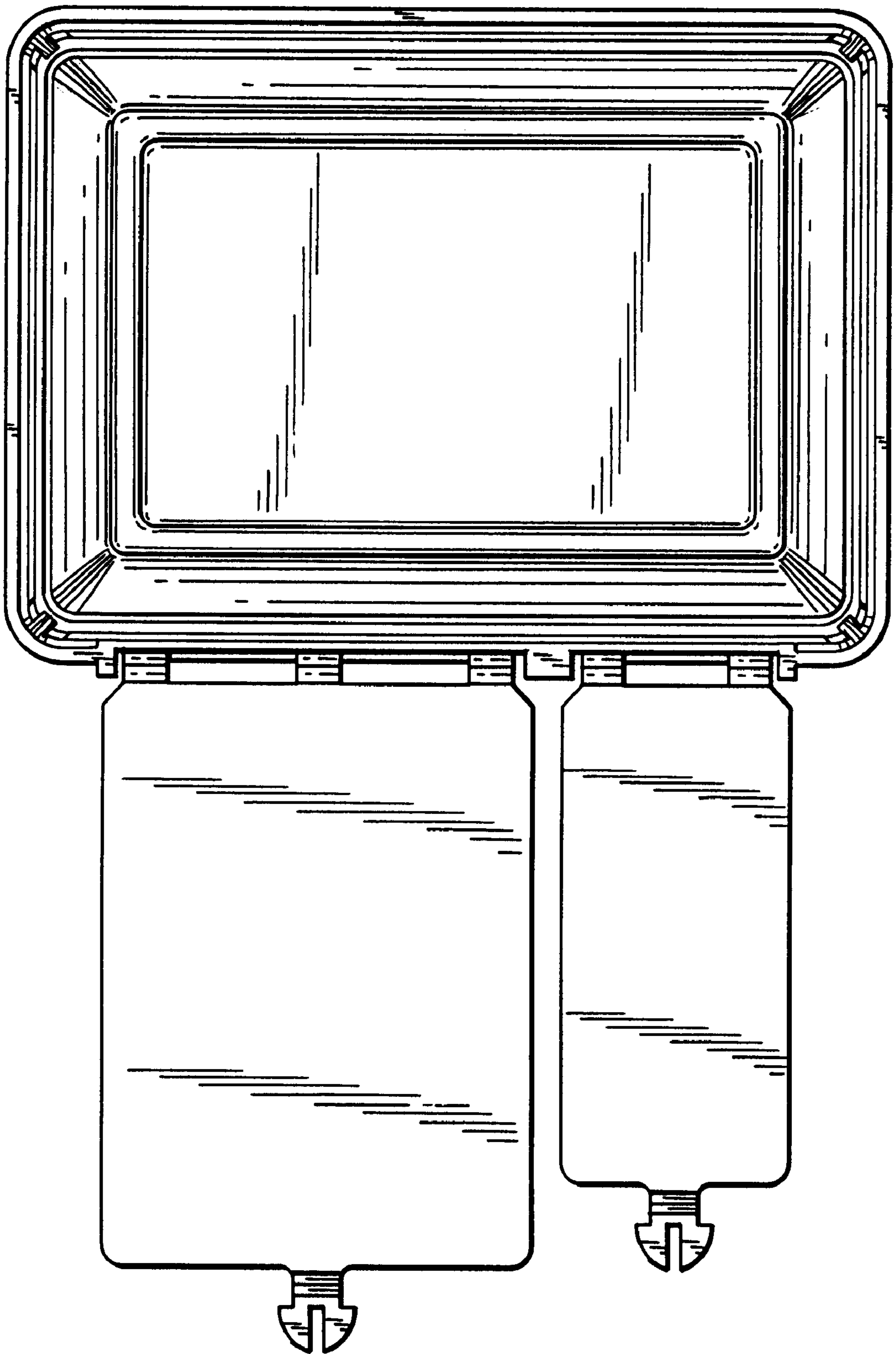


FIG. 7