



US00D447231B1

(12) **United States Design Patent**
Chen Fu et al.

(10) **Patent No.:** **US D447,231 S**

(45) **Date of Patent:** **** Aug. 28, 2001**

(54) **RADIOPHARMACEUTICAL CONTAINER**

(75) Inventors: **Monty Mong Chen Fu**, Canyon
Country; **Bing Bing Zhu**, Granada
Hills, both of CA (US)

(73) Assignee: **Syncor International Corporation**,
Woodland Hills, CA (US)

(**) Term: **14 Years**

(21) Appl. No.: **29/127,682**

(22) Filed: **Aug. 9, 2000**

(51) **LOC (7) Cl.** **24-04**

(52) **U.S. Cl.** **D24/121; D24/130; D24/131**

(58) **Field of Search** D24/121, 128,
D24/158, 161, 131, 130, 112; D3/302;
250/506.1, 507.1; 604/192, 198, 263; 206/363,
364, 365

(56) **References Cited**

U.S. PATENT DOCUMENTS

Re. 36,693 * 5/2000 Reich 250/507.1
D. 405,609 * 2/1999 Fu et al. D3/302

3,294,231 * 12/1966 Vanderbeck 206/365
4,869,299 * 9/1989 Handke 250/506.1
5,519,931 * 5/1996 Reich 250/507.1
5,828,073 * 10/1998 Zhu et al. 250/506.1
5,918,443 * 7/1999 Phillips 206/363
6,155,420 * 12/2000 Phillips 206/364

* cited by examiner

Primary Examiner—Ian Simmons

(74) *Attorney, Agent, or Firm*—Sheppard, Mullin, Richter
& Hampton LLP

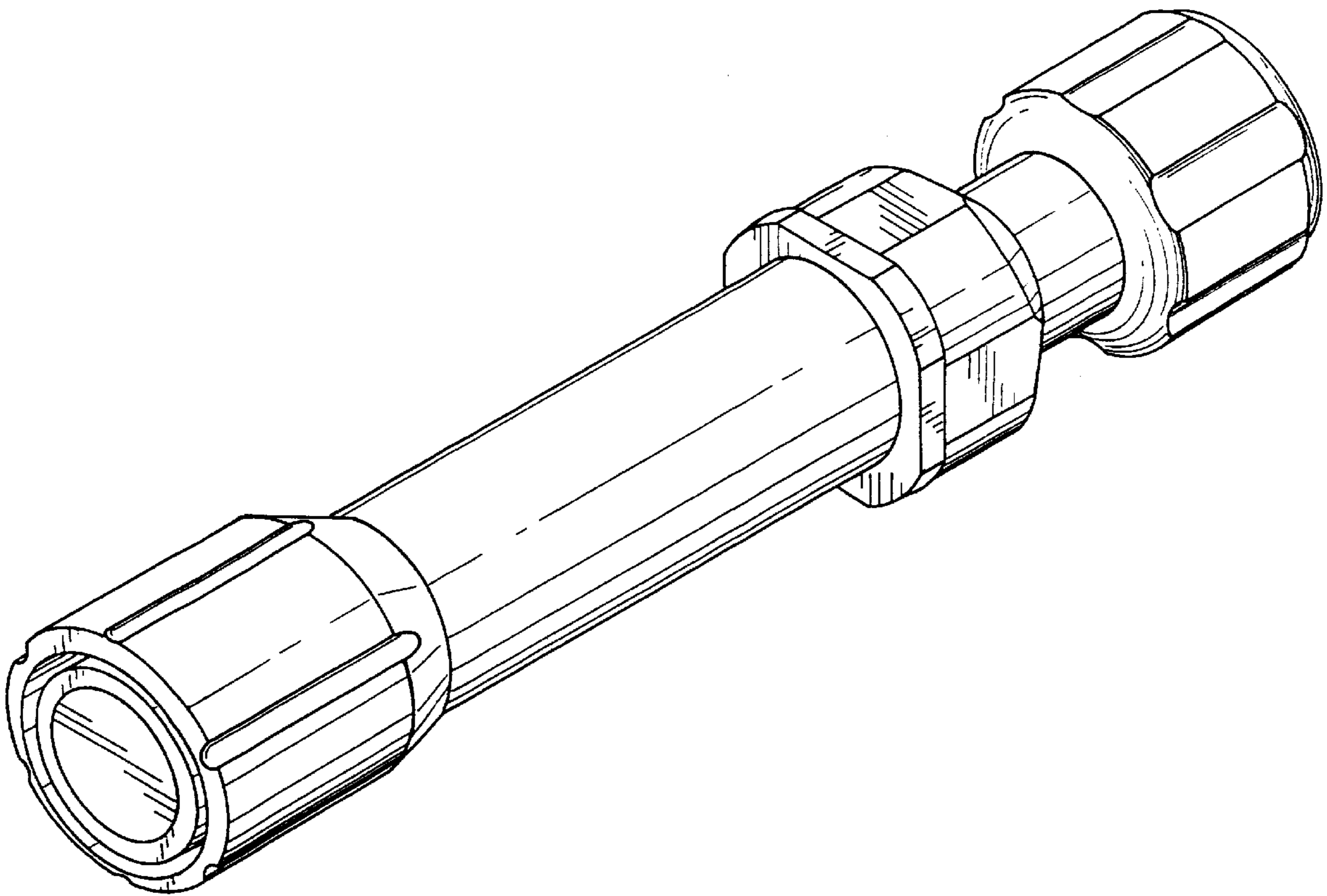
(57) **CLAIM**

The ornamental design for a radiopharmaceutical container,
as shown and described.

DESCRIPTION

FIG. 1 is a perspective view of a radiopharmaceutical
container embodying the new design.
FIG. 2 is a front side elevational view thereof, the right, left,
and rear side elevational views being the same.
FIG. 3 is a top plan view thereof; and,
FIG. 4 is a bottom plan view thereof.

1 Claim, 2 Drawing Sheets



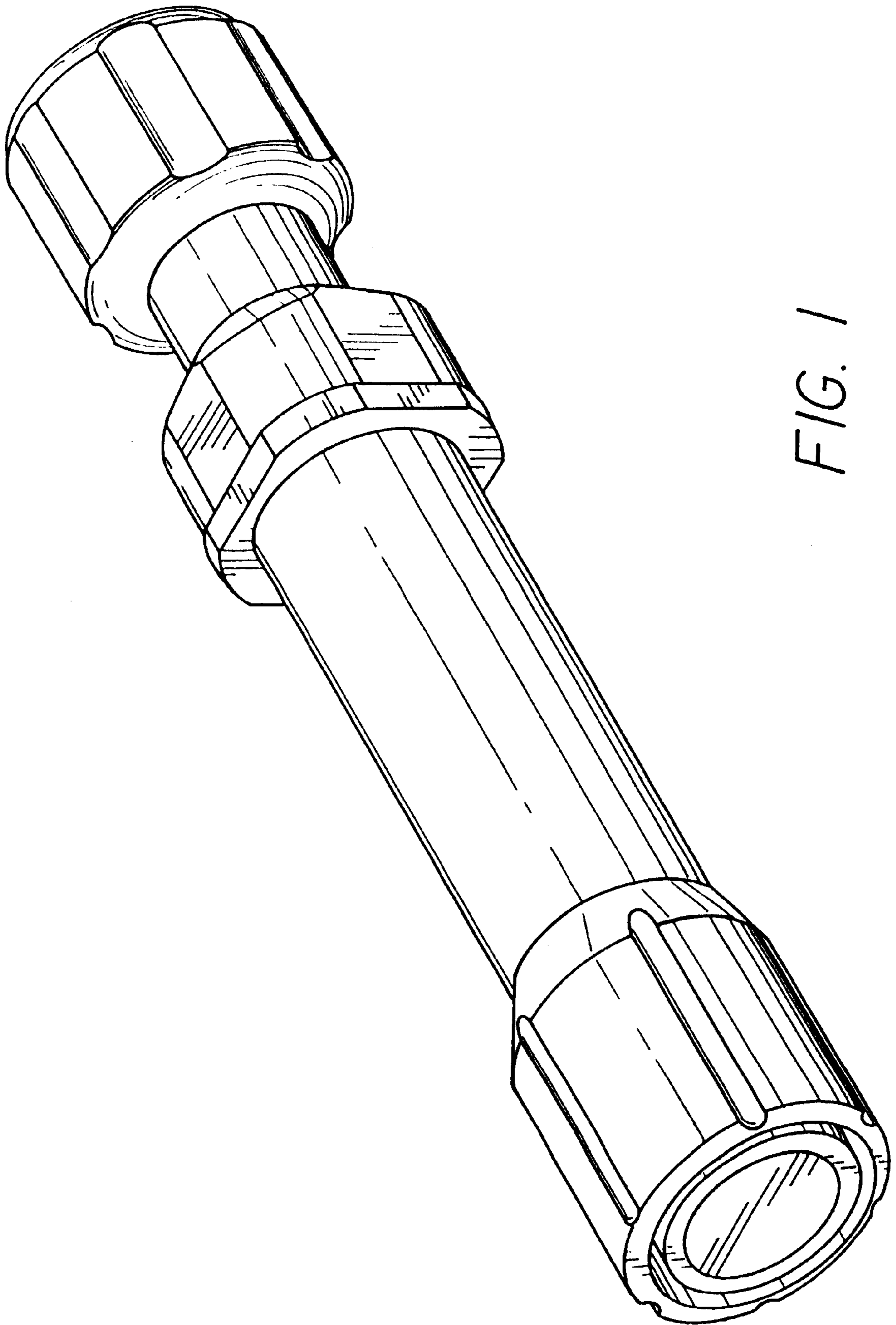


FIG. 1

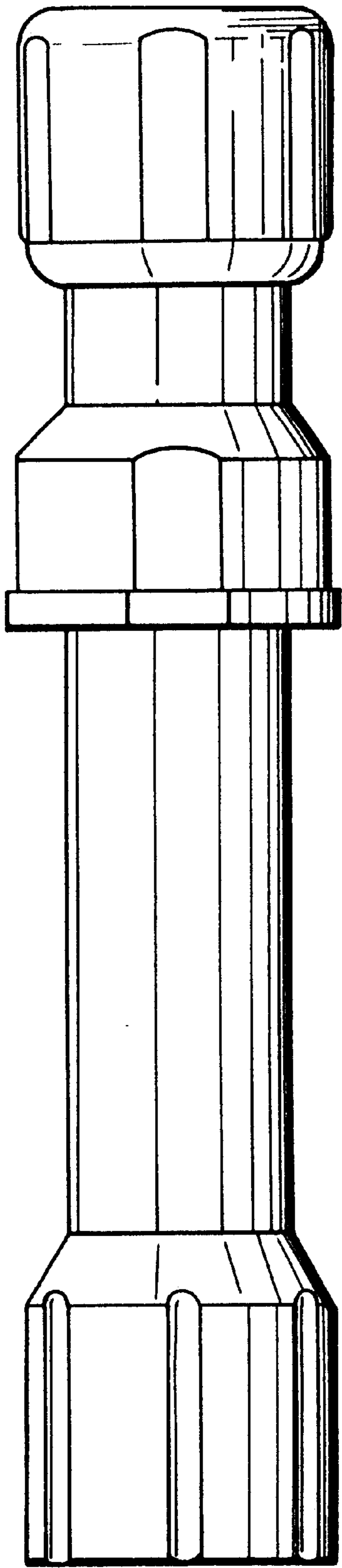


FIG. 2

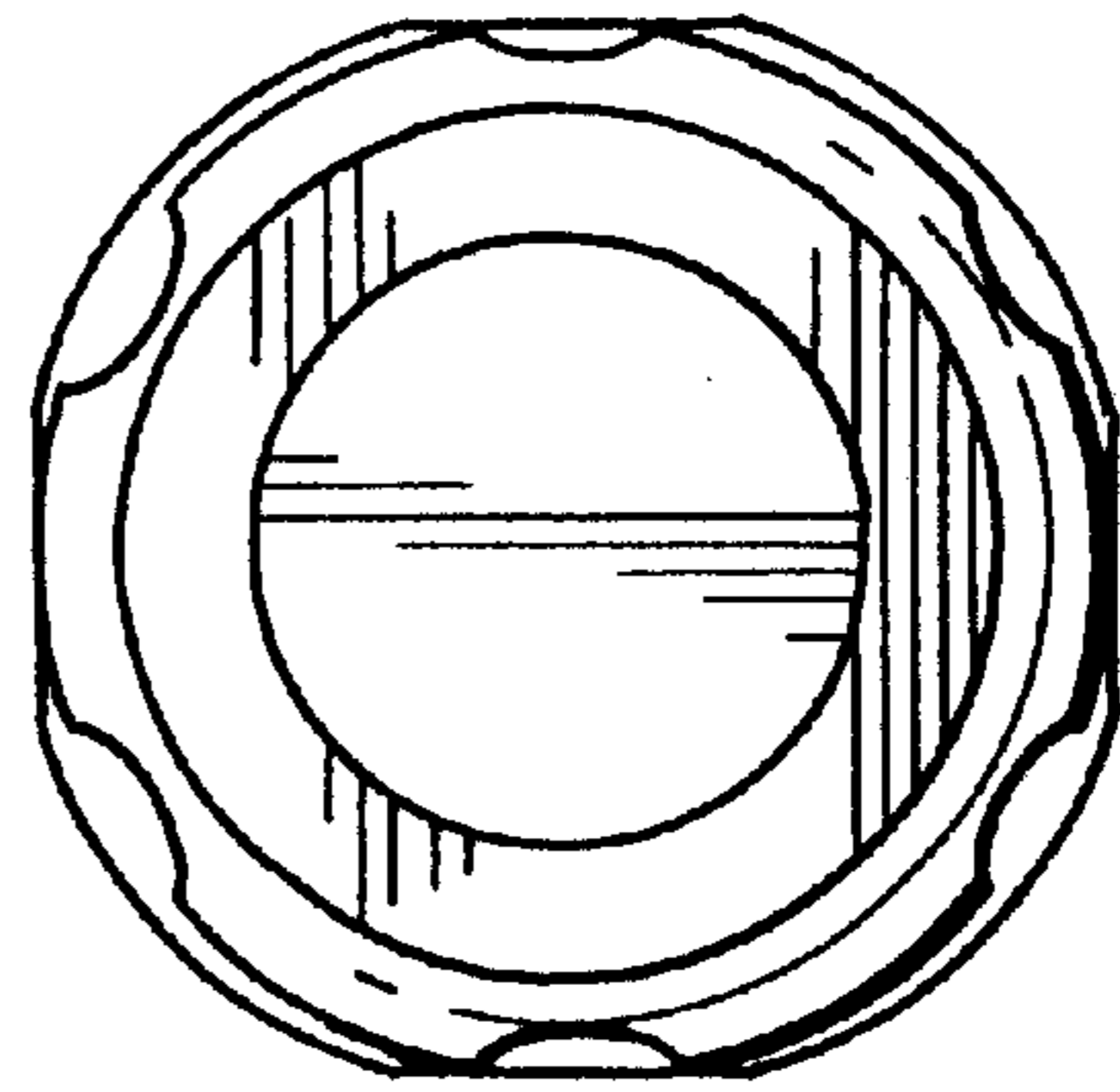


FIG. 3

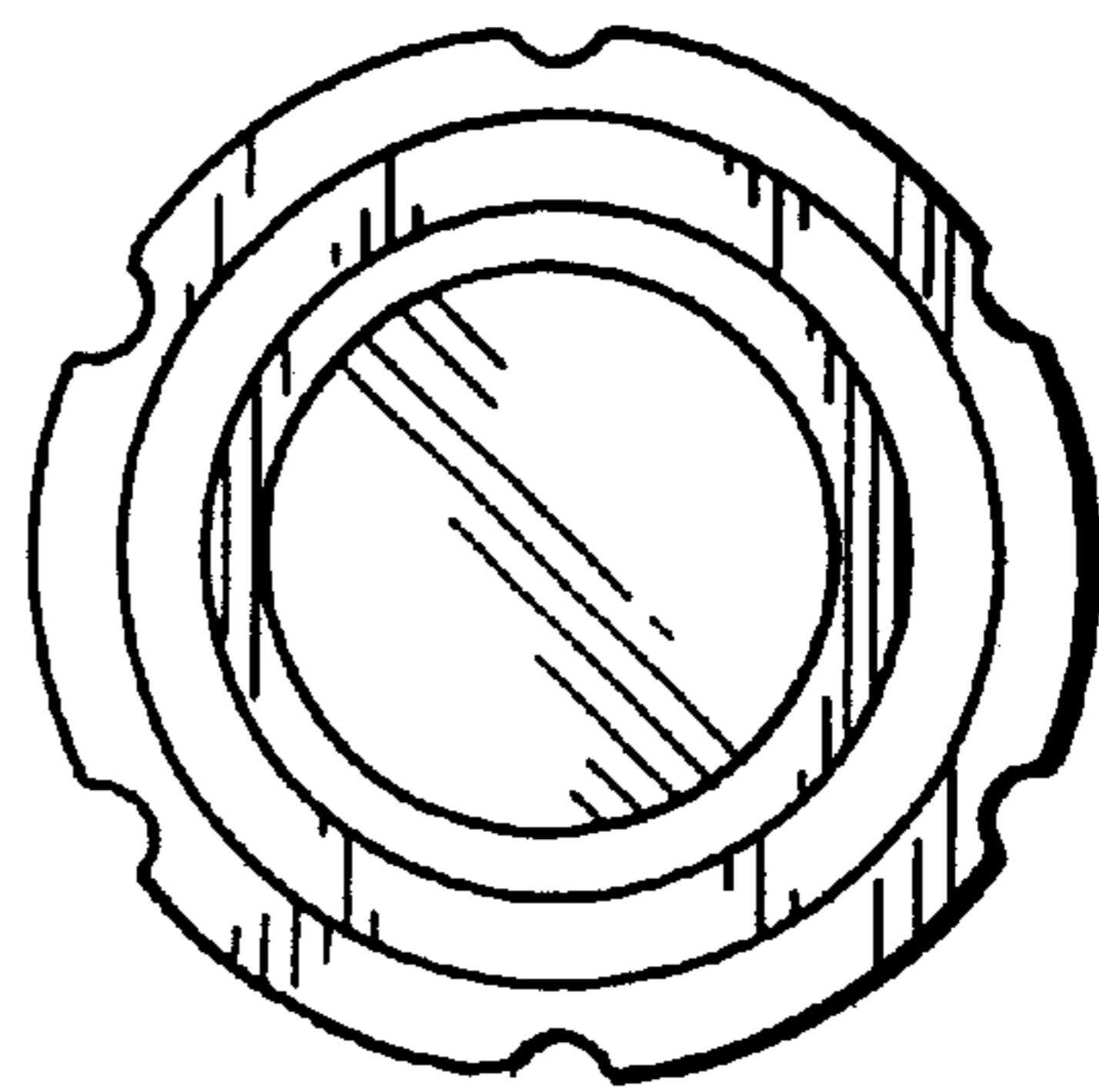


FIG. 4