



US00D447229B1

(12) **United States Design Patent**
Falk

(10) **Patent No.:** **US D447,229 S**

(45) **Date of Patent:** **** Aug. 28, 2001**

(54) **DRUG RECONSTITUTION AND INJECTION DEVICE**

(75) Inventor: **Yael Falk, Or-Yehuda (IL)**

(73) Assignee: **Elan Corporation, plc, Dublin (IE)**

(**) Term: **14 Years**

(21) Appl. No.: **29/123,123**

(22) Filed: **May 11, 2000**

(51) **LOC (7) Cl.** **24-04**

(52) **U.S. Cl.** **D24/108; D24/114; D24/133**

(58) **Field of Search** **D24/112, 113, D24/114, 108, 133; 604/410, 411, 131, 518, 82, 132, 133, 134, 135, 136, 139, 157, 83, 141, 412, 413, 414, 416; 128/DIG. 12**

(56) **References Cited**

U.S. PATENT DOCUMENTS

- D. 404,482 * 1/1999 Falk et al. D24/113
- D. 405,524 * 2/1999 Falk et al. D24/113
- D. 437,930 * 2/2001 Gross et al. D24/108
- 5,171,214 * 12/1992 Kolber et al. 604/82

- 6,071,270 * 6/2000 Fowles et al. 604/413
- 6,149,623 * 11/2000 Reynolds 604/82
- 6,149,626 * 11/2000 Bachynsky et al. 604/134
- 6,189,580 * 2/2001 Thibault et al. 604/416

* cited by examiner

Primary Examiner—**Ian Simmons**

(74) *Attorney, Agent, or Firm*—**Kathleen M. Lynch**

(57) **CLAIM**

The ornamental design for of a drug reconstitution and injection device, as shown and described.

DESCRIPTION

FIG. 1 is a perspective view of a drug reconstitution and injection device showing my new design, the broken line showing is for illustrative purposes only and form no part of the claimed design invention;

FIG. 2 is a front view thereof;

FIG. 3 is a left side view thereof;

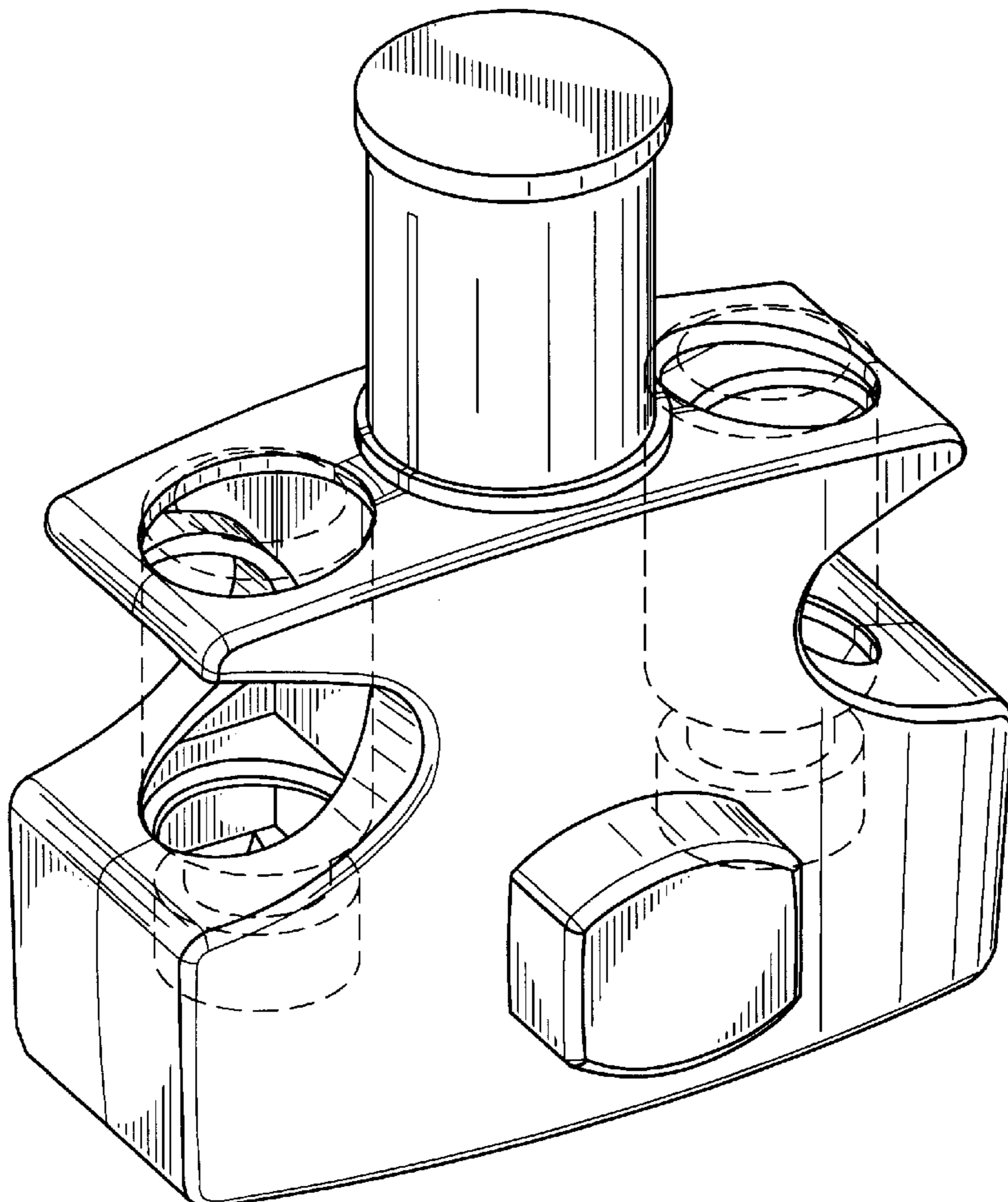
FIG. 4 is a right side view thereof;

FIG. 5 is a rear view thereof;

FIG. 6 is a top view thereof; and,

FIG. 7 is a bottom view thereof.

1 Claim, 4 Drawing Sheets



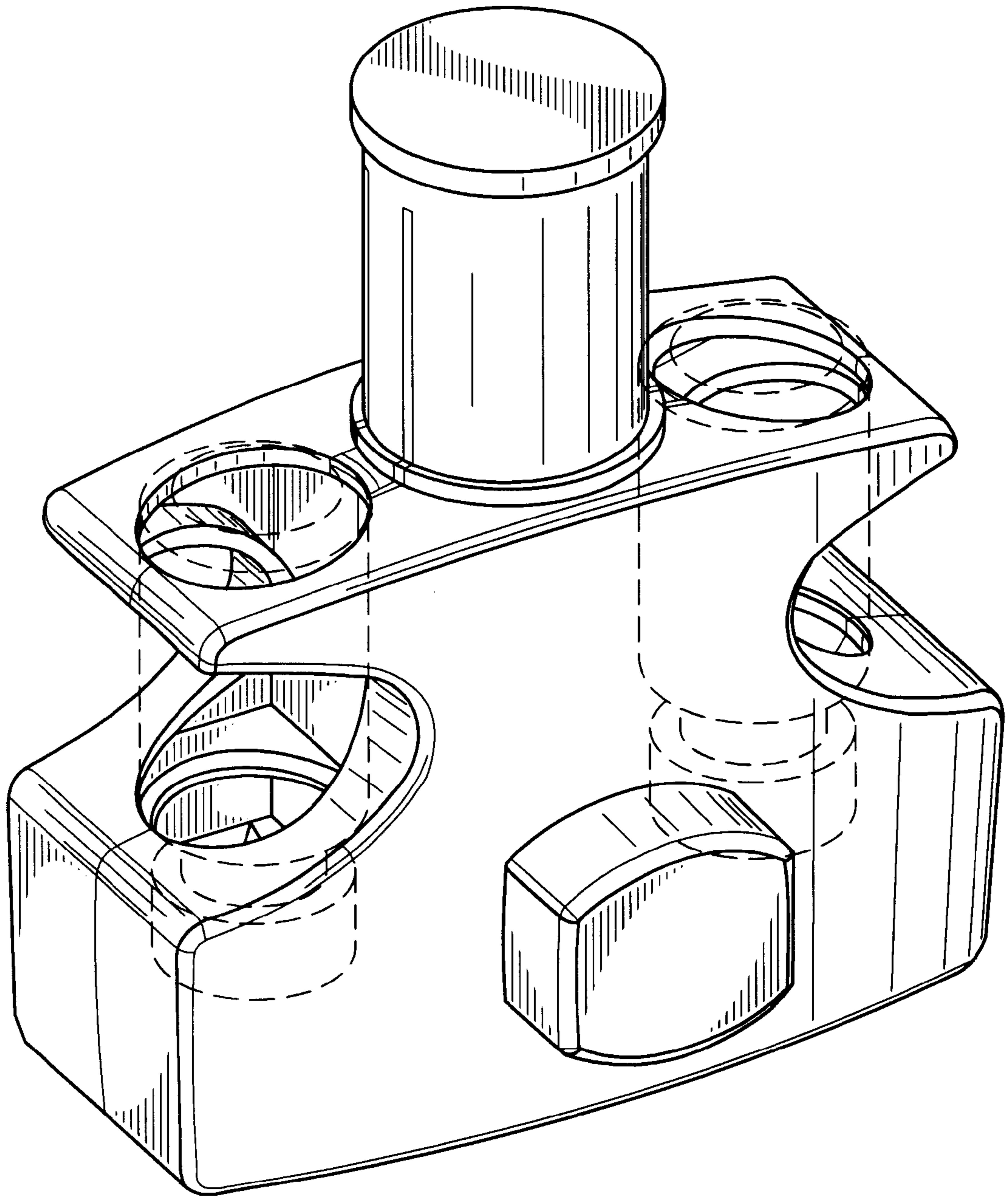


FIG. 1

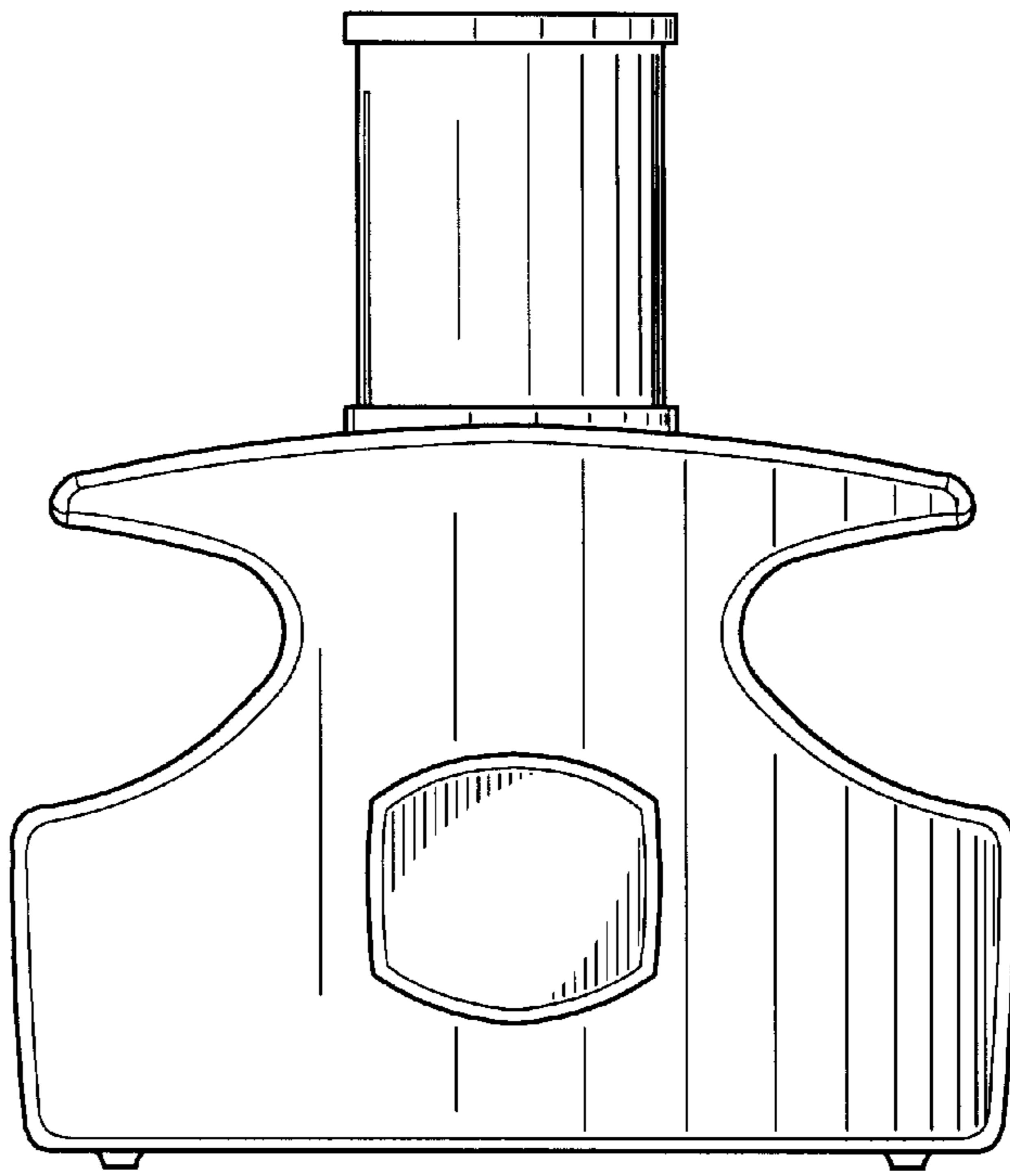


FIG. 2

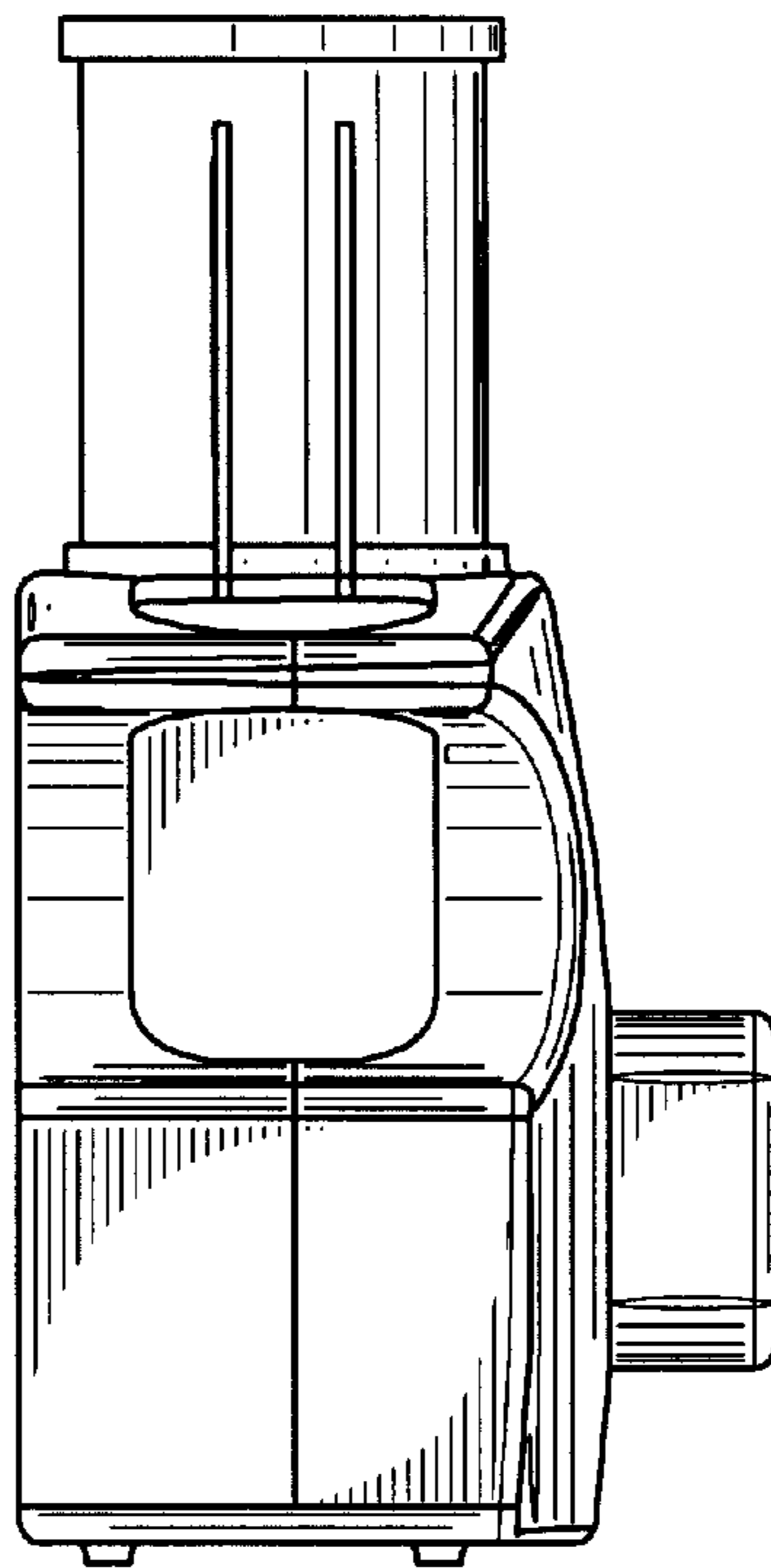


FIG. 3

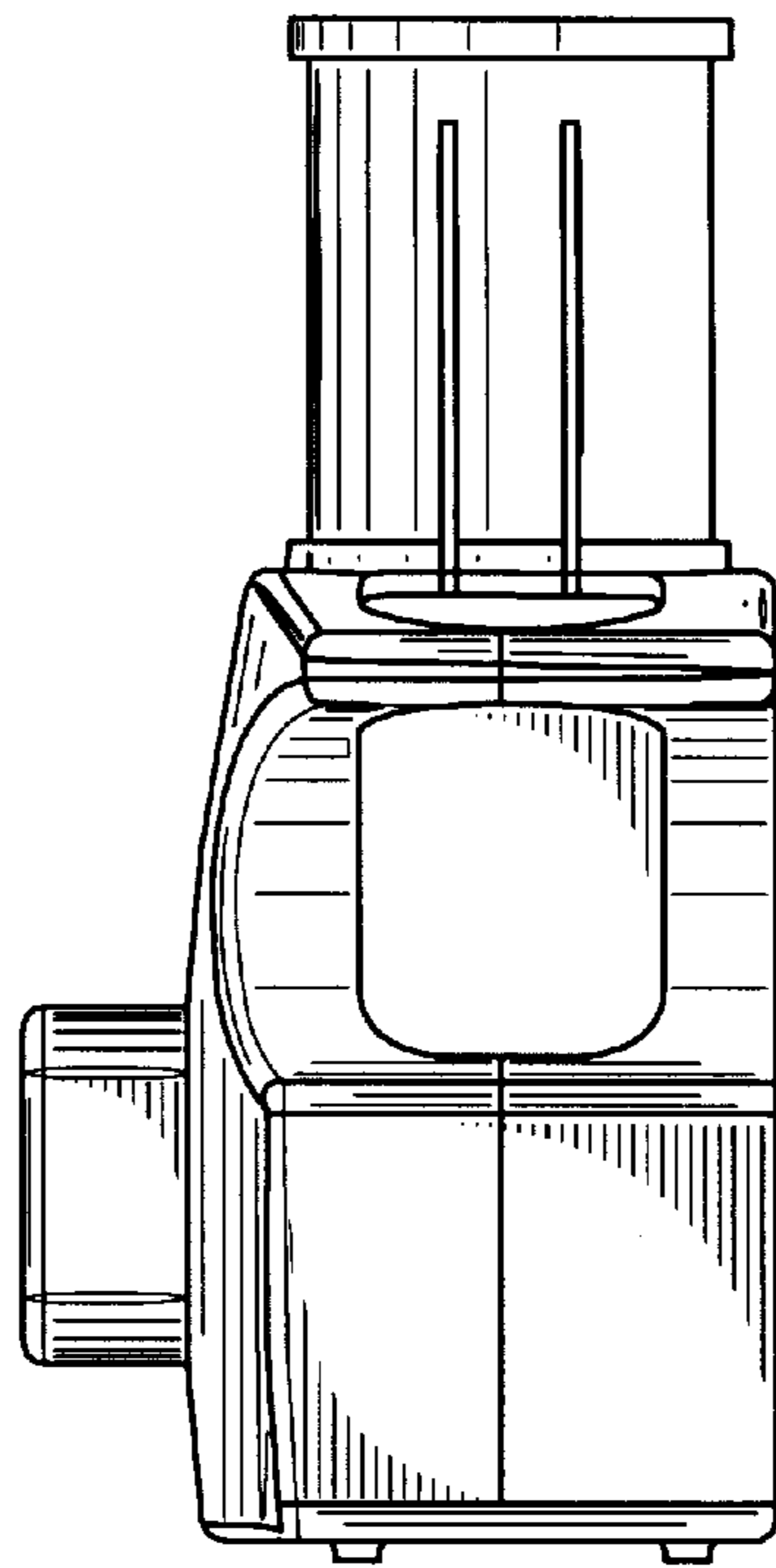


FIG. 4

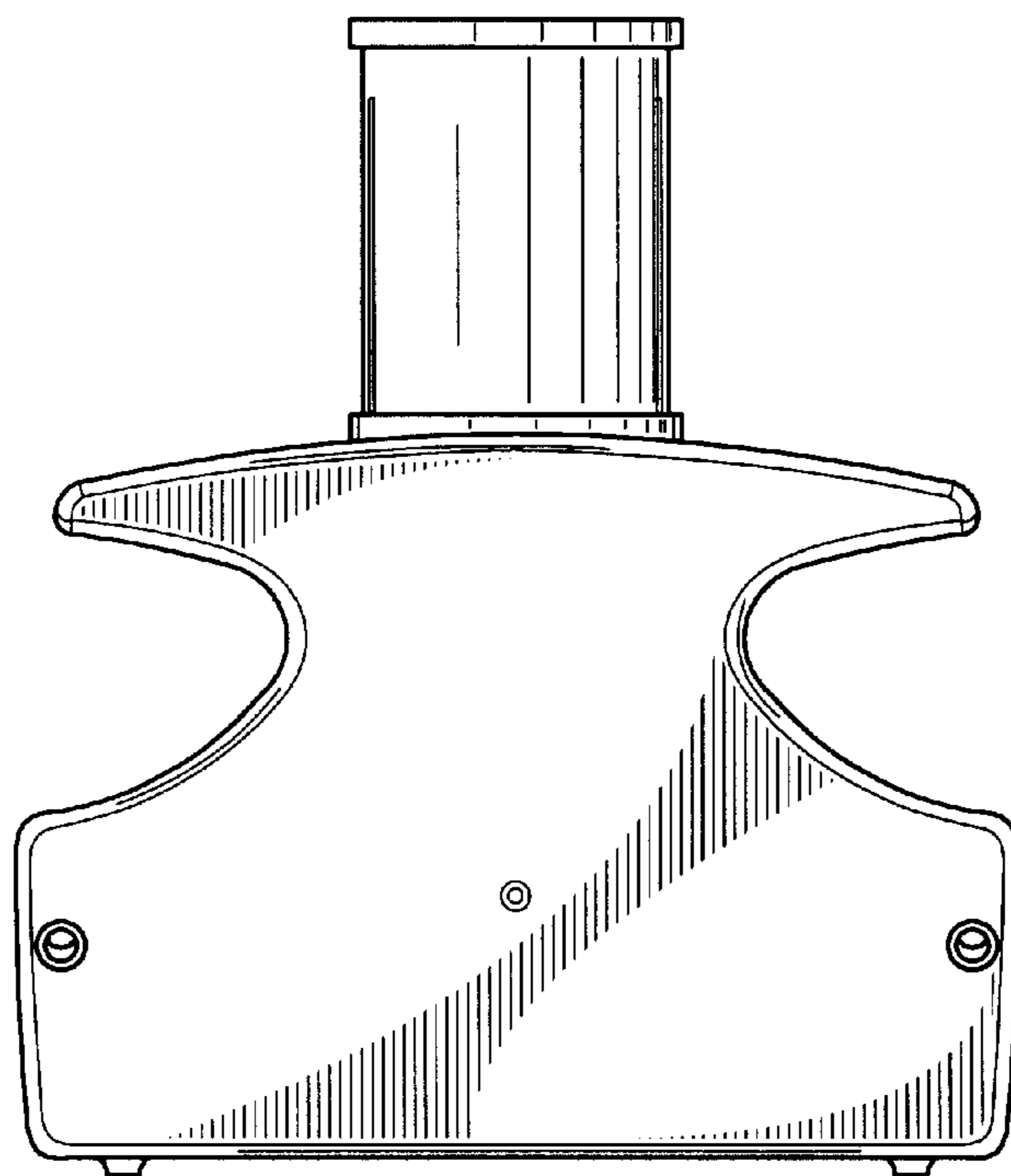


FIG. 5

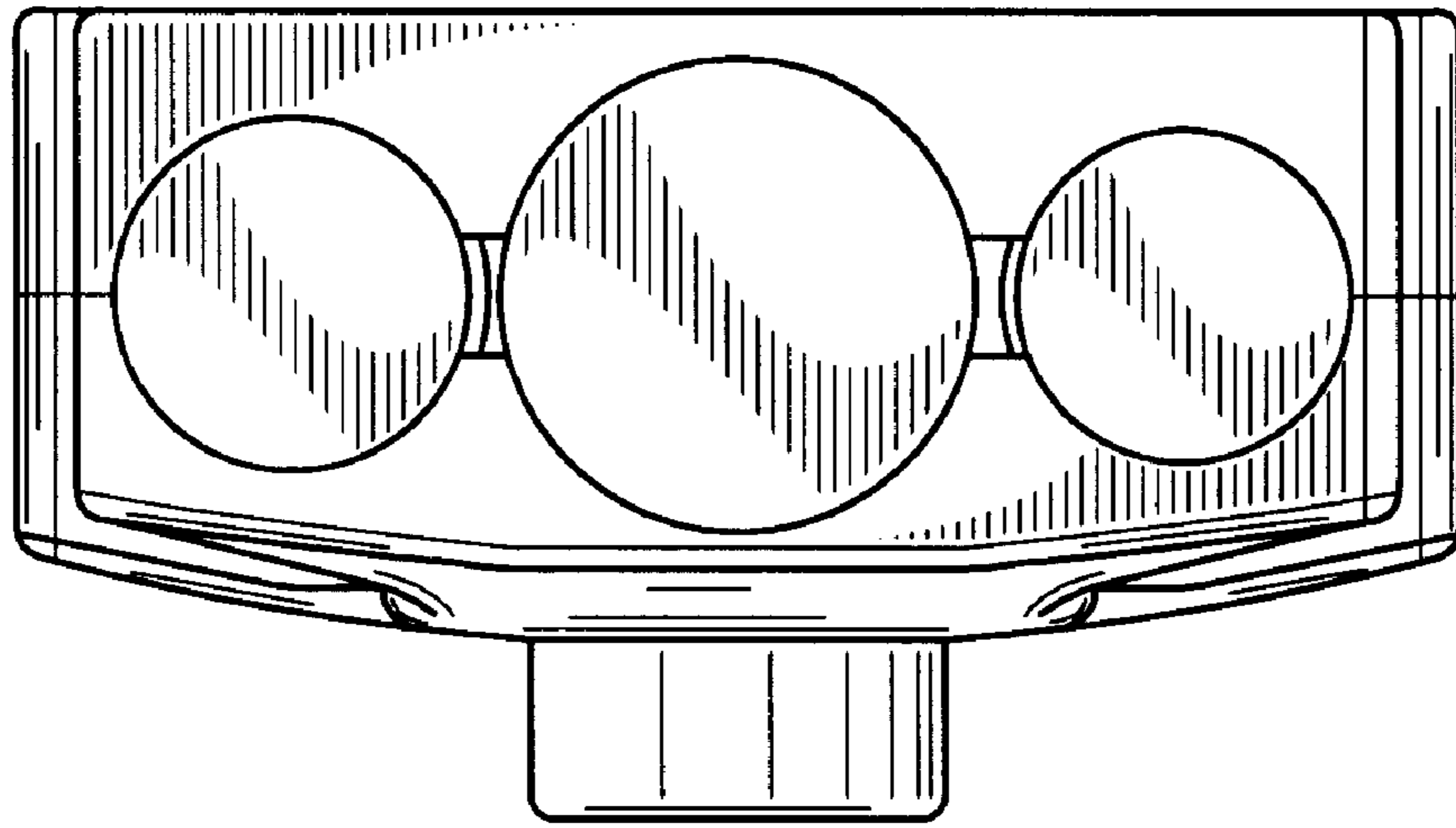


FIG. 6

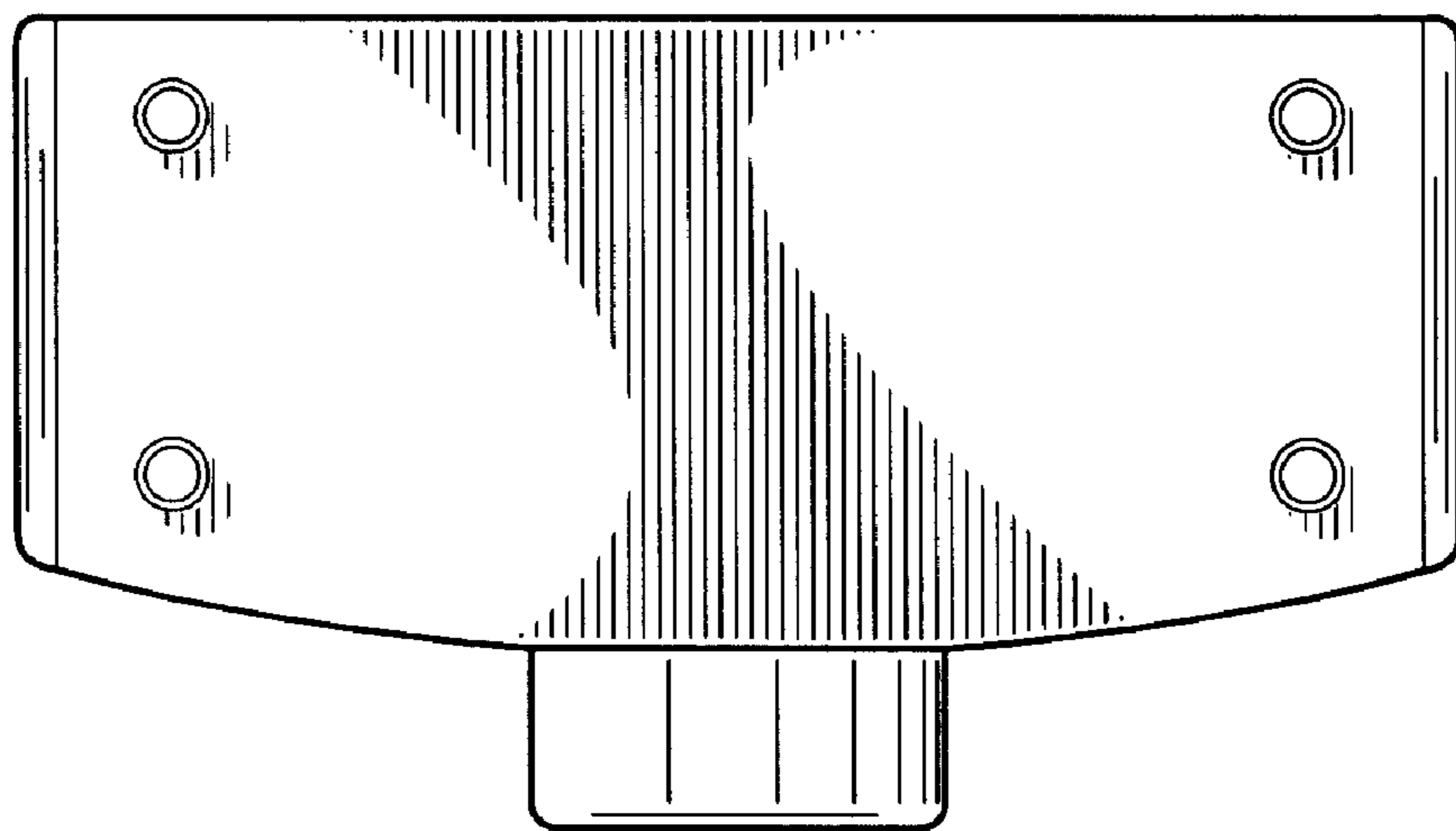


FIG. 7