



US00D447228B1

(12) **United States Design Patent**
Tsuji

(10) **Patent No.:** **US D447,228 S**

(45) **Date of Patent:** **** Aug. 28, 2001**

(54) **COMBINED MOTOR HOUSING, BLADE IRONS, SWITCH HOUSING AND LIGHT FIXTURE UNIT FOR A CEILING FAN**

(75) Inventor: **Masao Tsuji**, Germantown, TN (US)

(73) Assignee: **Hunter Fan Company**, Memphis, TN (US)

(**) Term: **14 Years**

(21) Appl. No.: **29/124,341**

(22) Filed: **Jun. 2, 2000**

(51) **LOC (7) Cl.** **23-04**

(52) **U.S. Cl.** **D23/377**

(58) **Field of Search** D23/377, 379,
D23/411, 385; 416/5

(56) **References Cited**

U.S. PATENT DOCUMENTS

D. 408,519 * 4/1999 Tsuji et al. D23/411

* cited by examiner

Primary Examiner—Lisa Lichtenstein

(74) *Attorney, Agent, or Firm*—Garrison, Morris, Haight & Morrow, PLLC

(57) **CLAIM**

The ornamental design for a combined motor housing, blade irons, switch housing and light fixture unit for a ceiling fan, as shown and described.

DESCRIPTION

FIG. 1 is a perspective view of a combined motor housing, blade irons, switch housing and light fixture unit for a ceiling fan showing my new design;

FIG. 2 is an enlarged perspective view of the design shown in FIG. 1 with the environmental structure removed therefrom;

FIG. 3 is a front view of FIG. 2;

FIG. 4 is a right-side view of FIG. 2;

FIG. 5 is a rear view of FIG. 2;

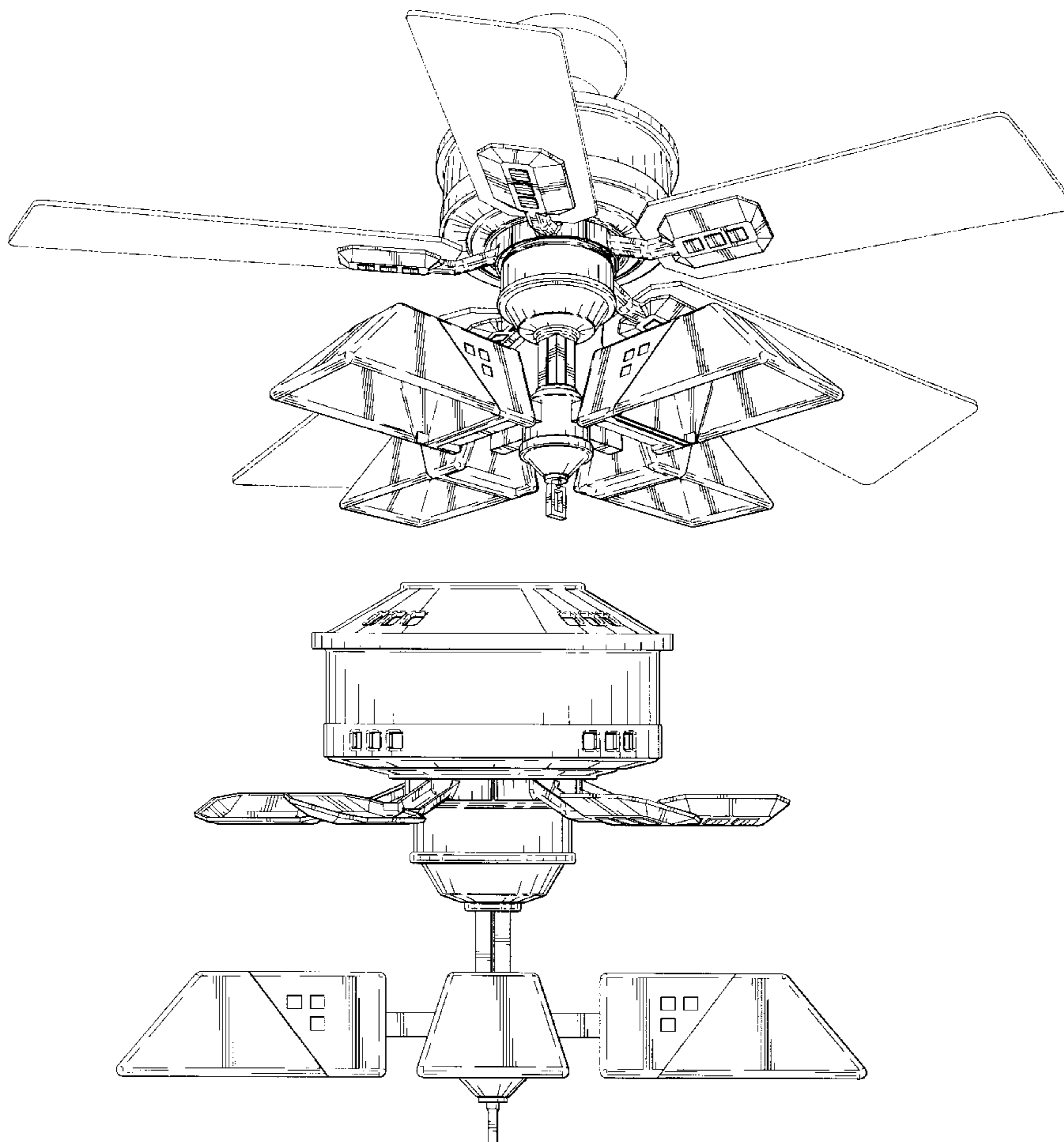
FIG. 6 is a left-side view of FIG. 2;

FIG. 7 is a top view of FIG. 2; and,

FIG. 8 is a bottom view of FIG. 2.

The broken line showing of environmental structure shown in FIG. 1 is for illustrative purposes only and forms no part of the claimed design.

1 Claim, 8 Drawing Sheets



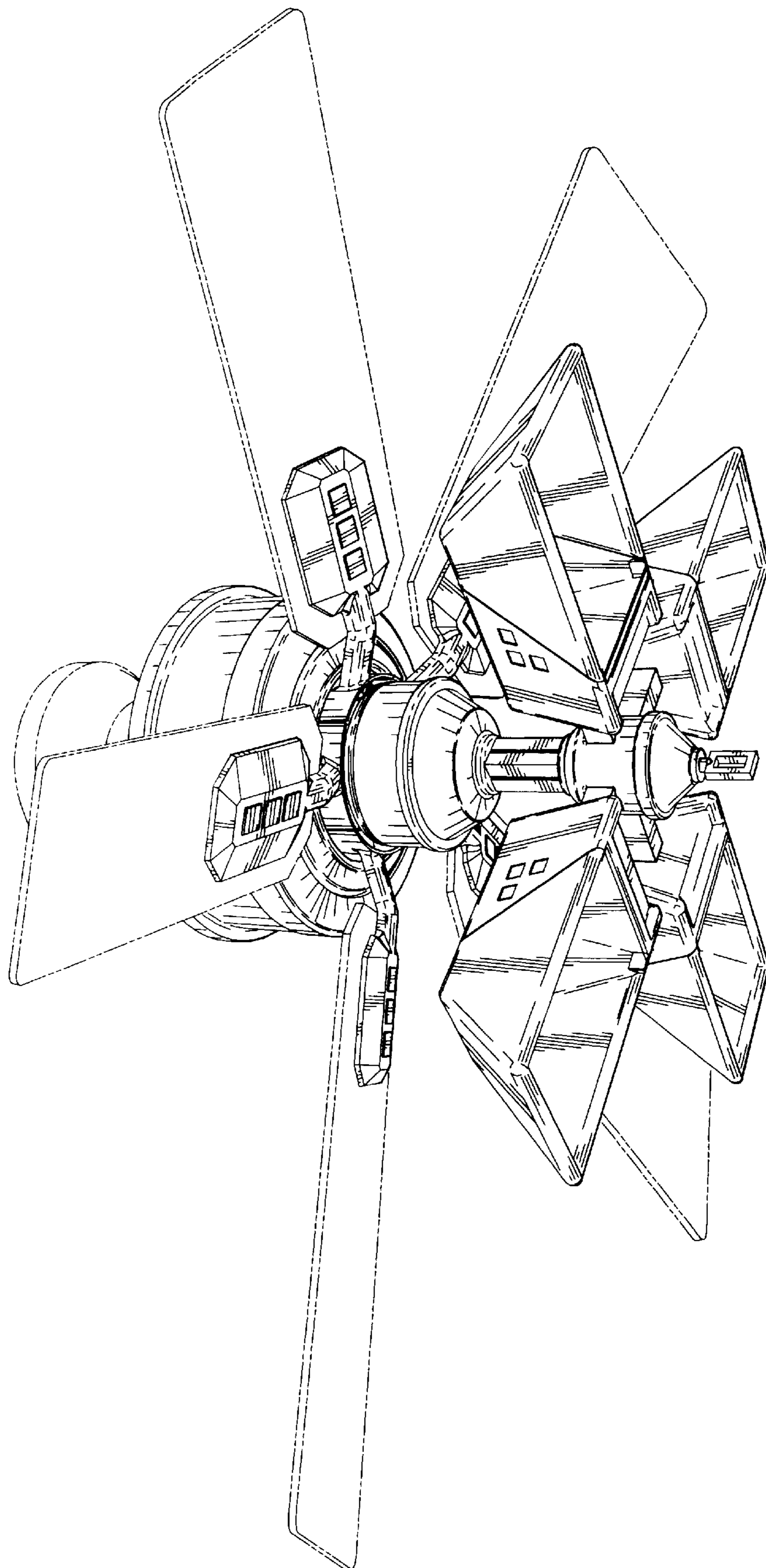


FIG 1

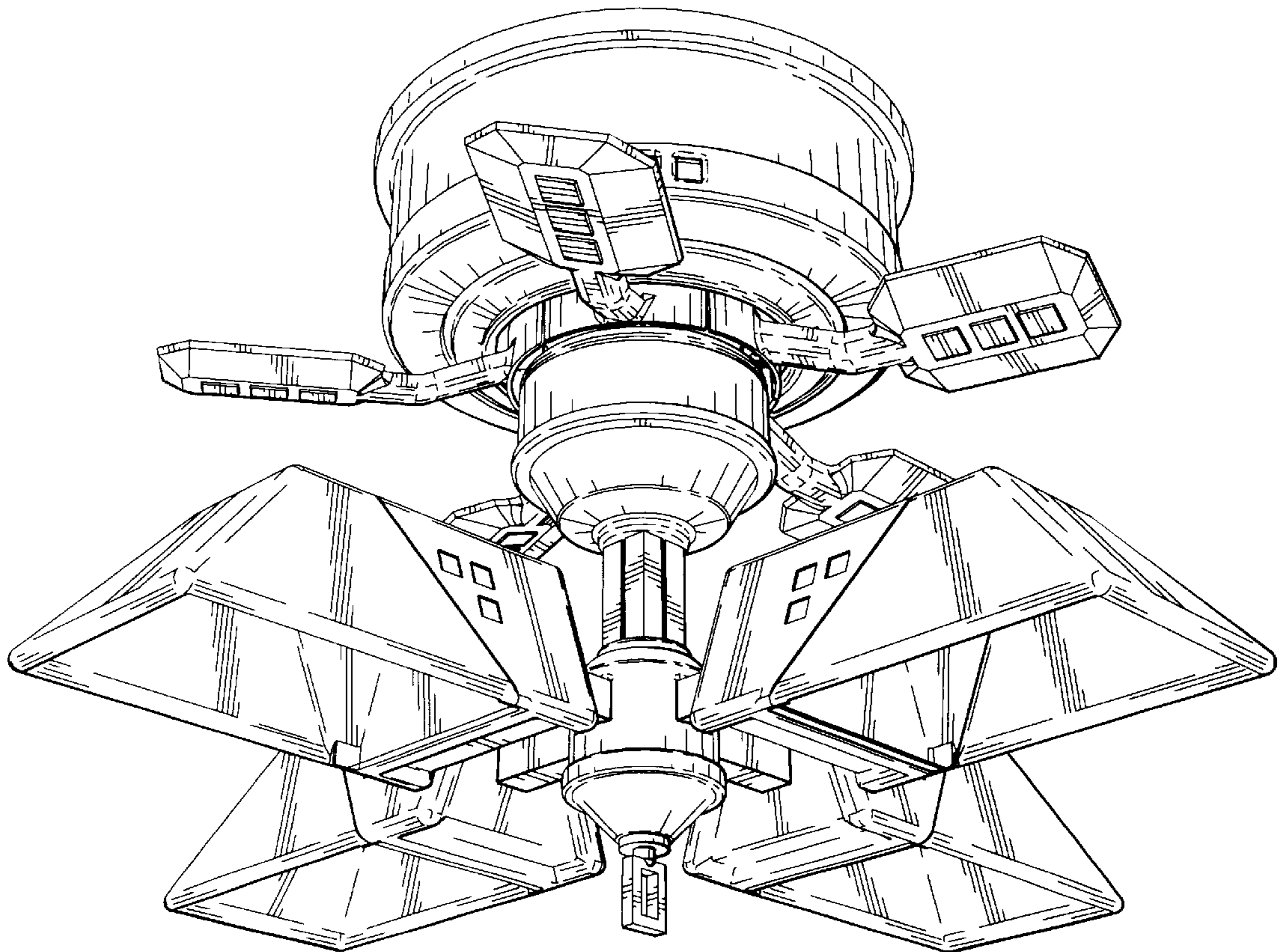


FIG 2

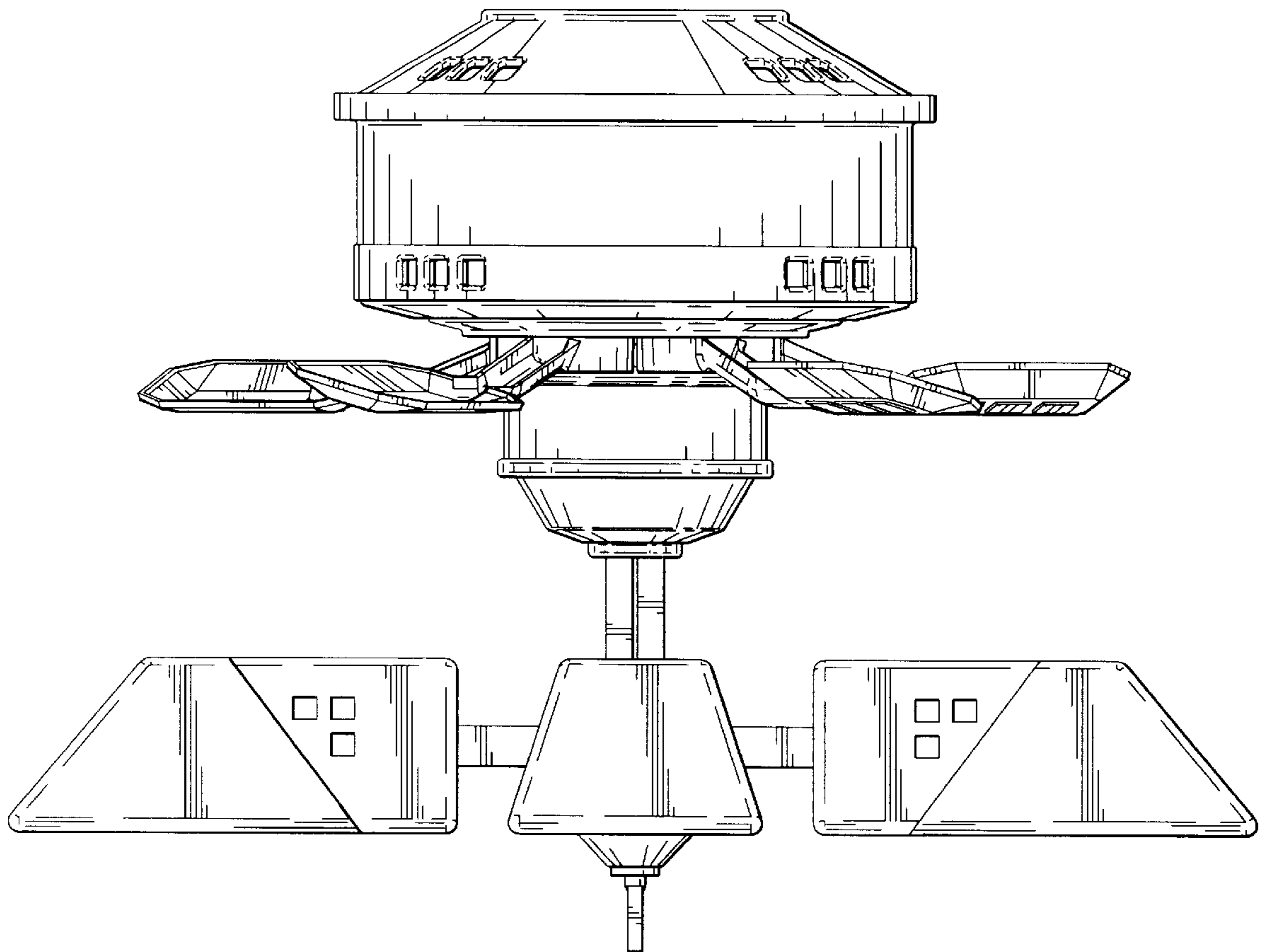


FIG 3

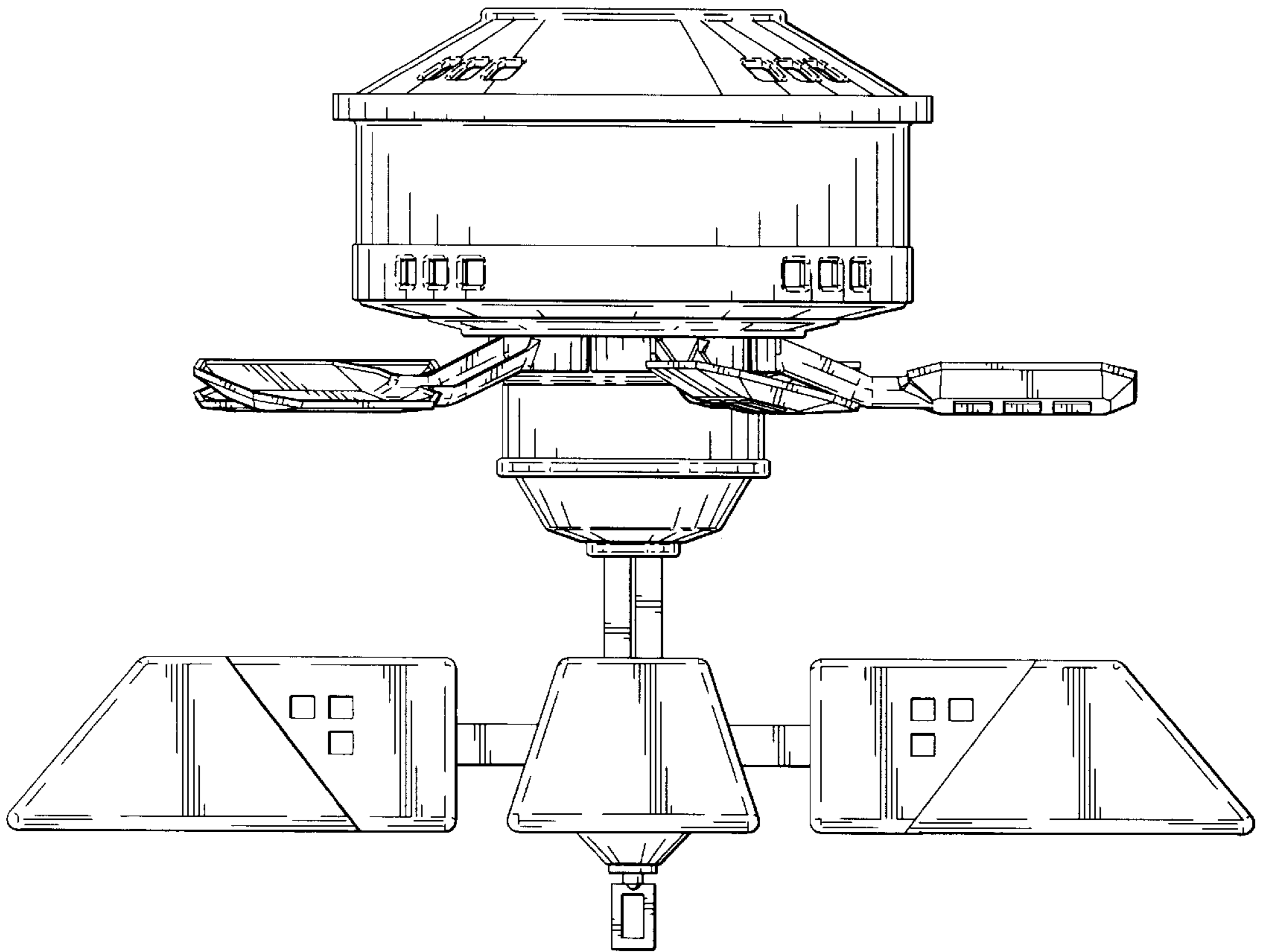


FIG 4

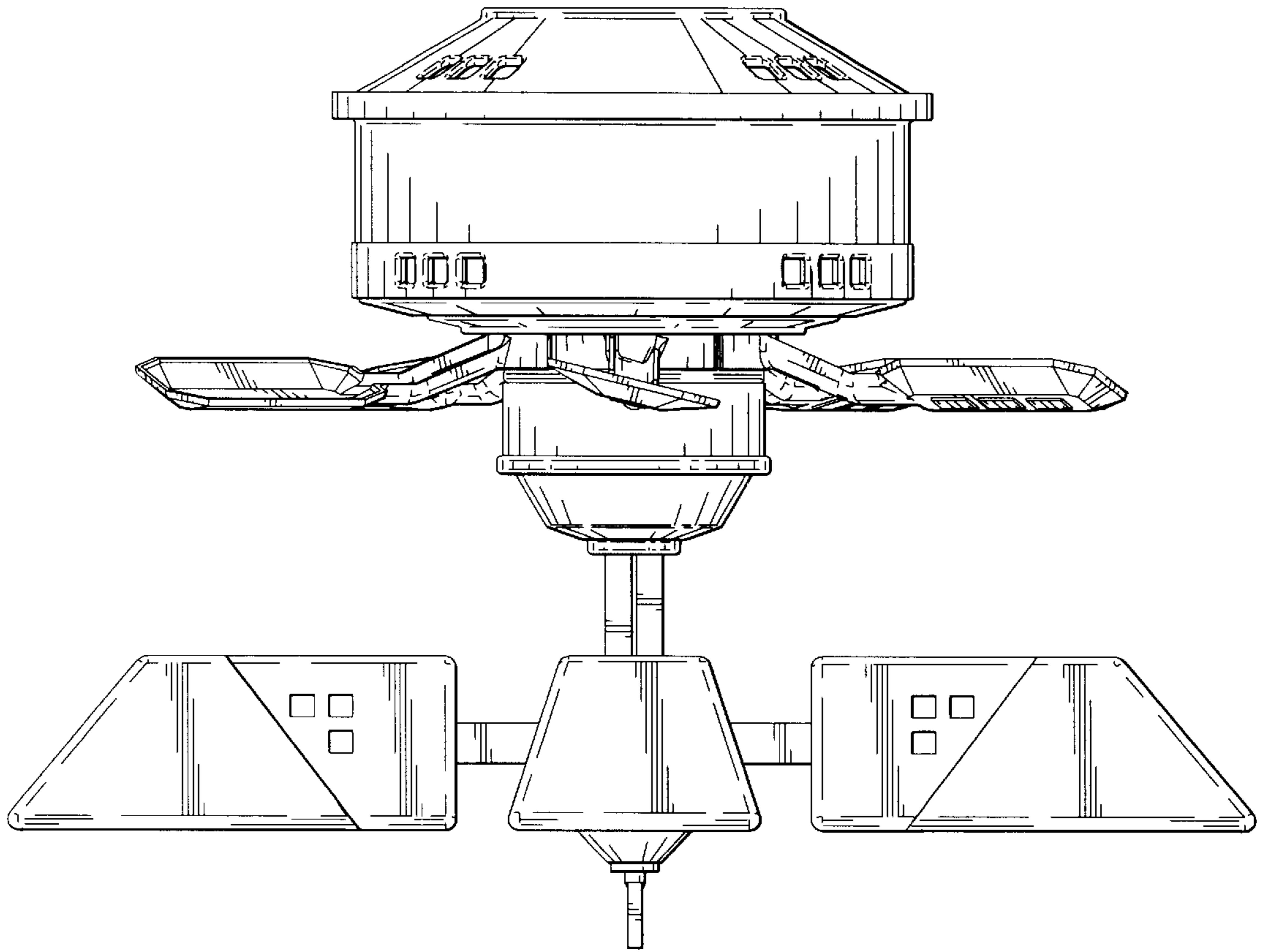


FIG 5

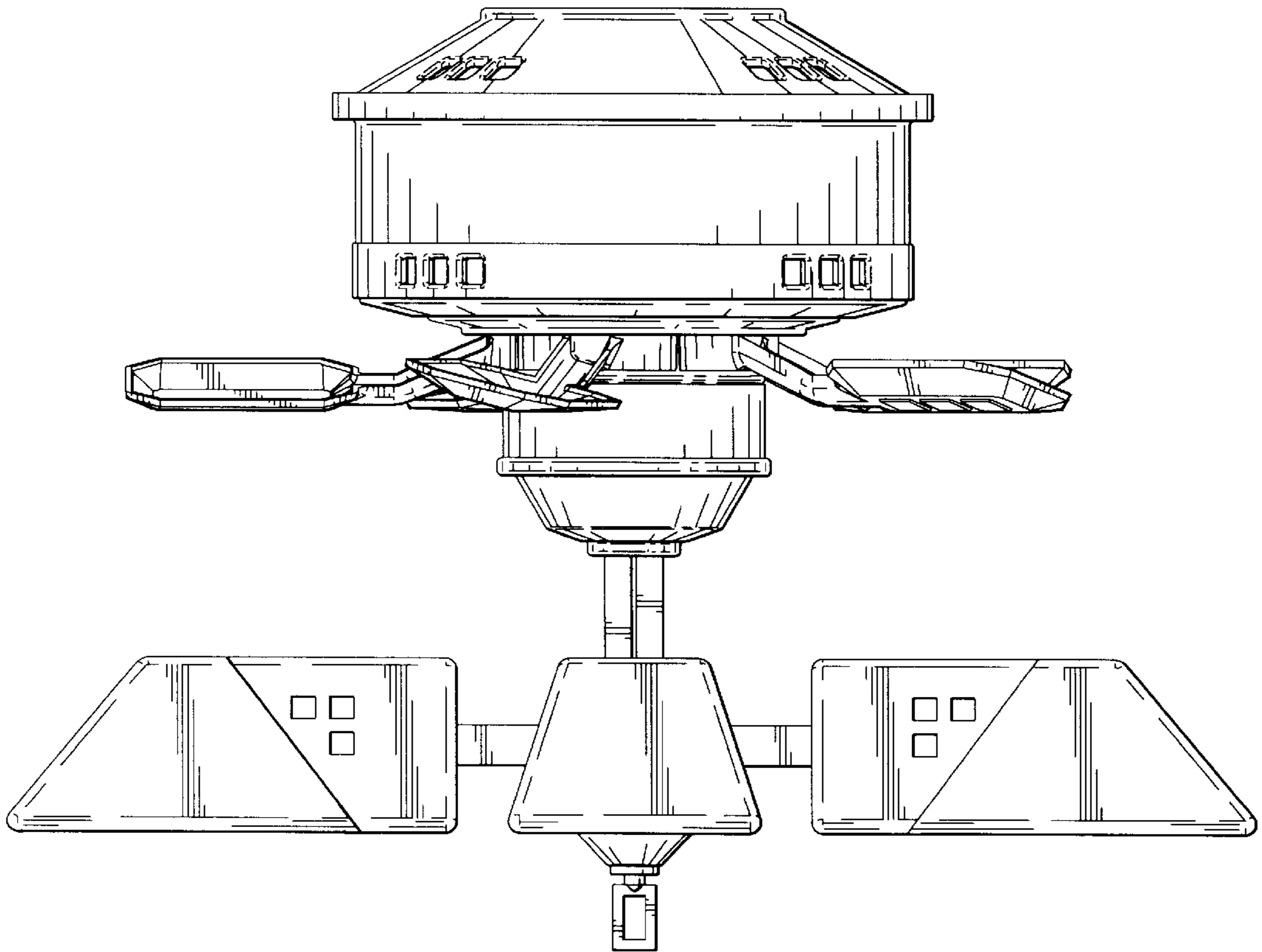


FIG 6

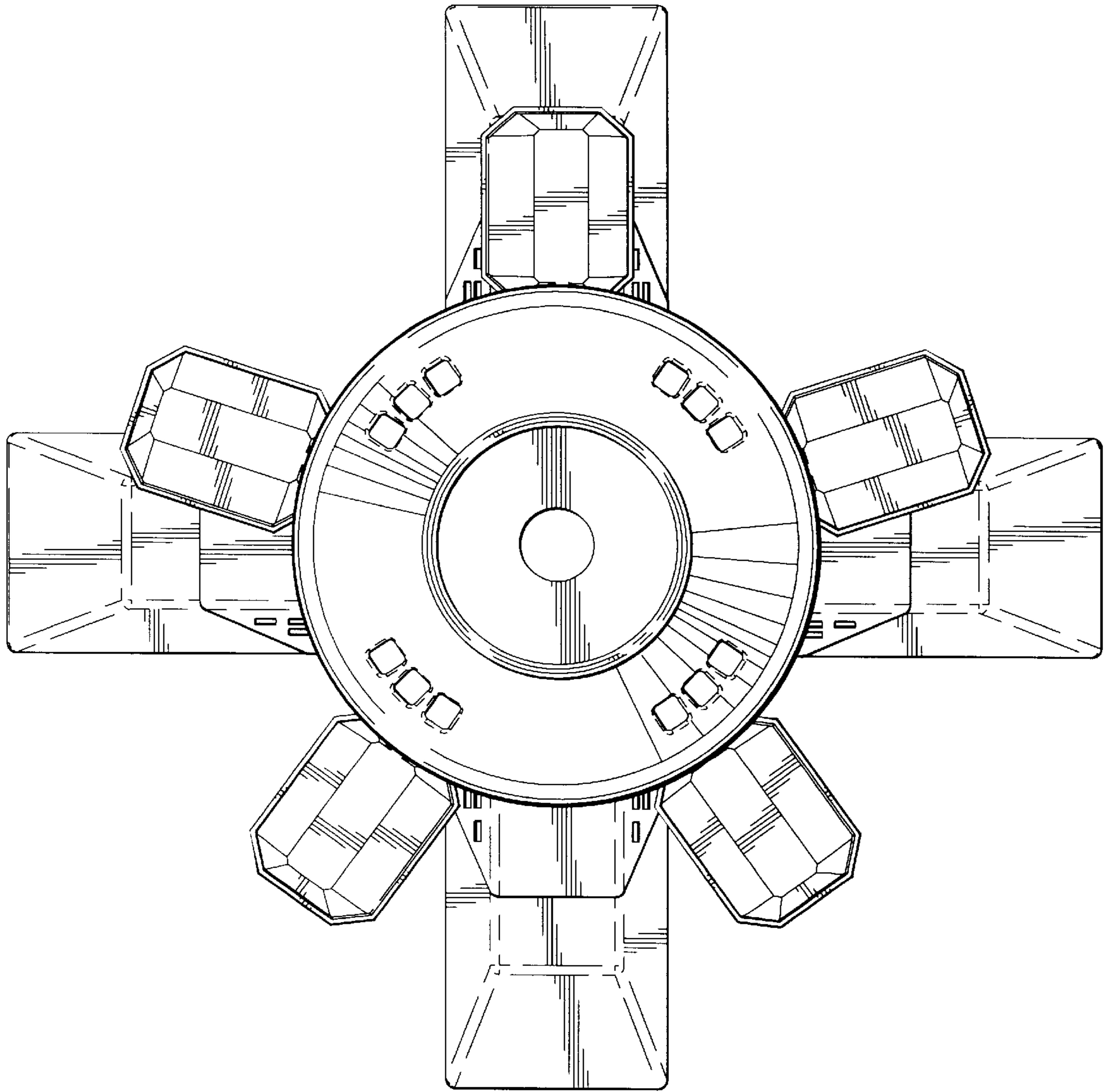


FIG 7

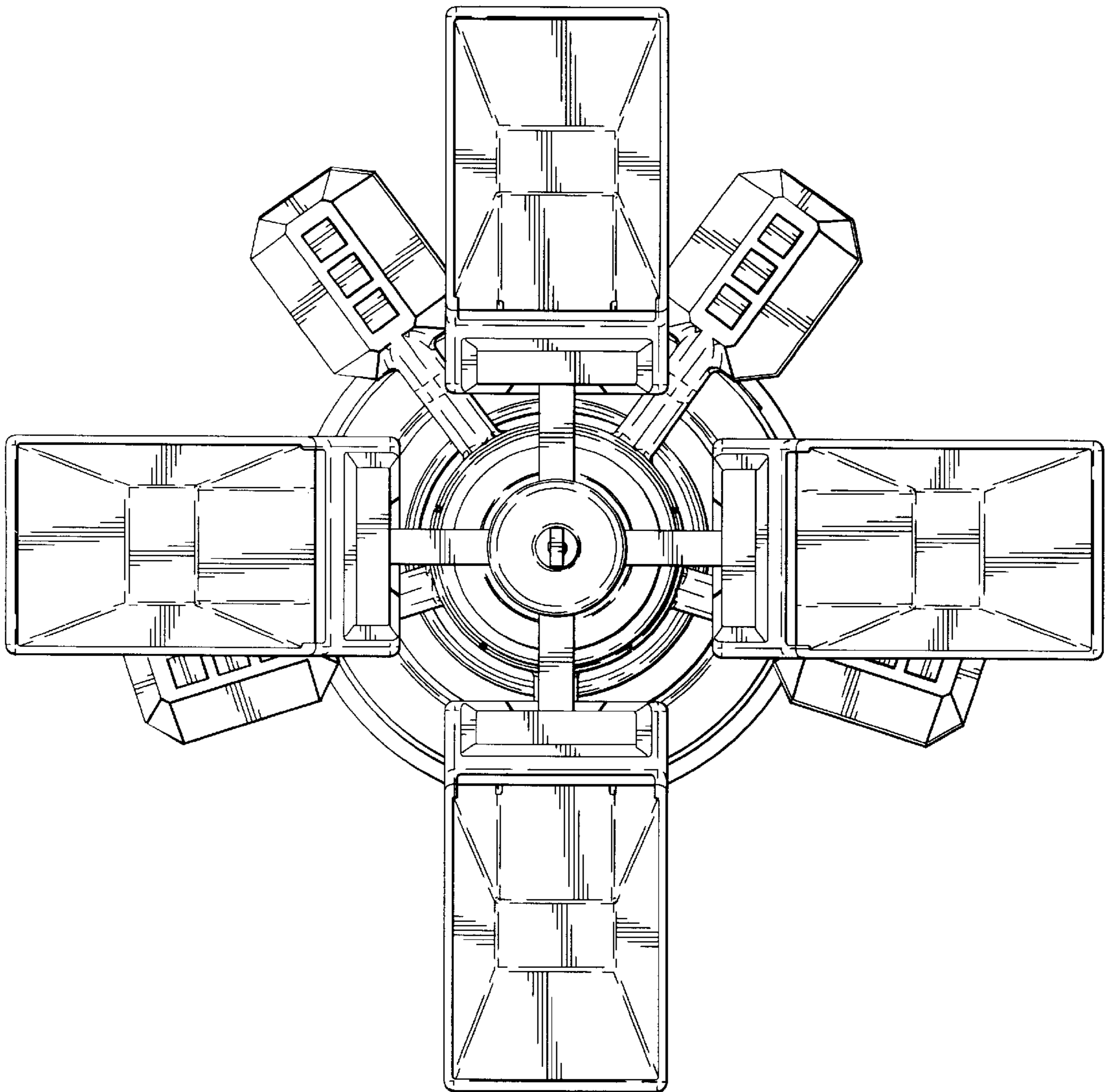


FIG 8