



US00D447226B1

(12) **United States Design Patent**
Hatanaka et al.

(10) **Patent No.:** **US D447,226 S**

(45) **Date of Patent:** **** Aug. 28, 2001**

(54) **AIR CONDITIONER**

FOREIGN PATENT DOCUMENTS

(75) Inventors: **Takehiro Hatanaka; Yasuhiro Aketa,**
both of Kawasaki (JP)

1024891 11/1998 (JP) .

* cited by examiner

(73) Assignee: **Fujitsu General Limited,**
Kanagawa-ken (JP)

Primary Examiner—B. J. Bullock

(74) *Attorney, Agent, or Firm*—Sughrue, Mion, Zinn,
Macpeak & Seas, PLLC

(**) Term: **14 Years**

(57) **CLAIM**

(21) Appl. No.: **29/129,703**

The ornamental design for an air conditioner, as shown and described.

(22) Filed: **Sep. 21, 2000**

(51) **LOC (7) Cl.** **23-04**

(52) **U.S. Cl.** **D23/351**

(58) **Field of Search** D23/351-354,
D23/333, 387, 388; 312/236; 62/259.1,
262, 263; 454/201-204, 349-357, 330-332

DESCRIPTION

FIG. 1 is a perspective view of the bottom, front and right side of an air conditioner showing our new design; FIG. 2 is a top plan view thereof; FIG. 3 is a front view thereof; FIG. 4 is a left side view thereof; FIG. 5 is a right side elevational view thereof; FIG. 6 is a rear view thereof; FIG. 7 is a bottom view thereof; and, FIG. 8 is a perspective view similar to FIG. 1 but with the vents in an open position.

(56) **References Cited**

U.S. PATENT DOCUMENTS

- D. 307,467 * 4/1990 Shimano et al. D23/351
- D. 322,667 * 12/1991 Fukuda et al. D23/351
- D. 345,785 * 4/1994 Saito et al. D23/351
- D. 380,256 * 6/1997 Aihara et al. D23/351

1 Claim, 2 Drawing Sheets

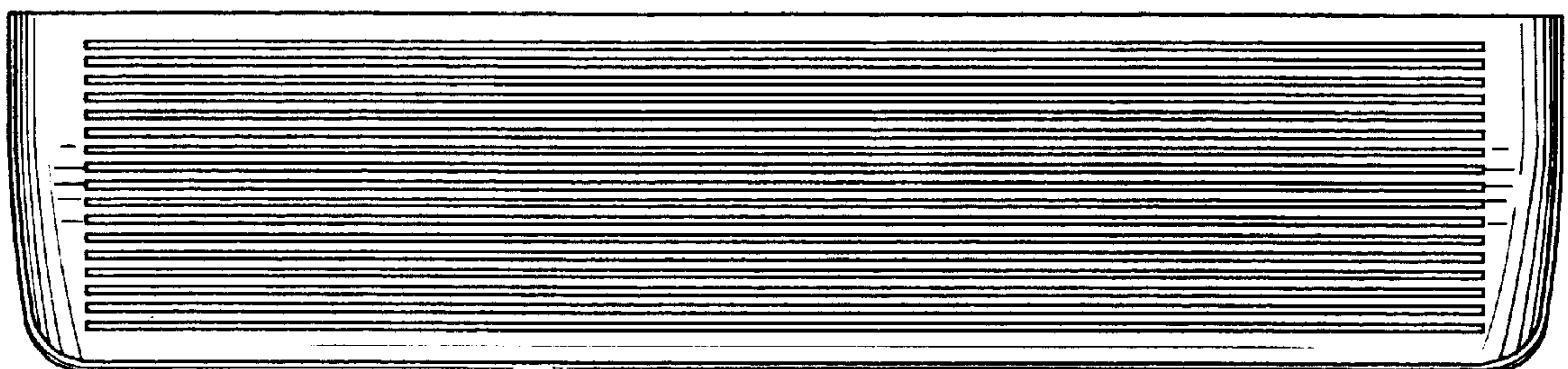
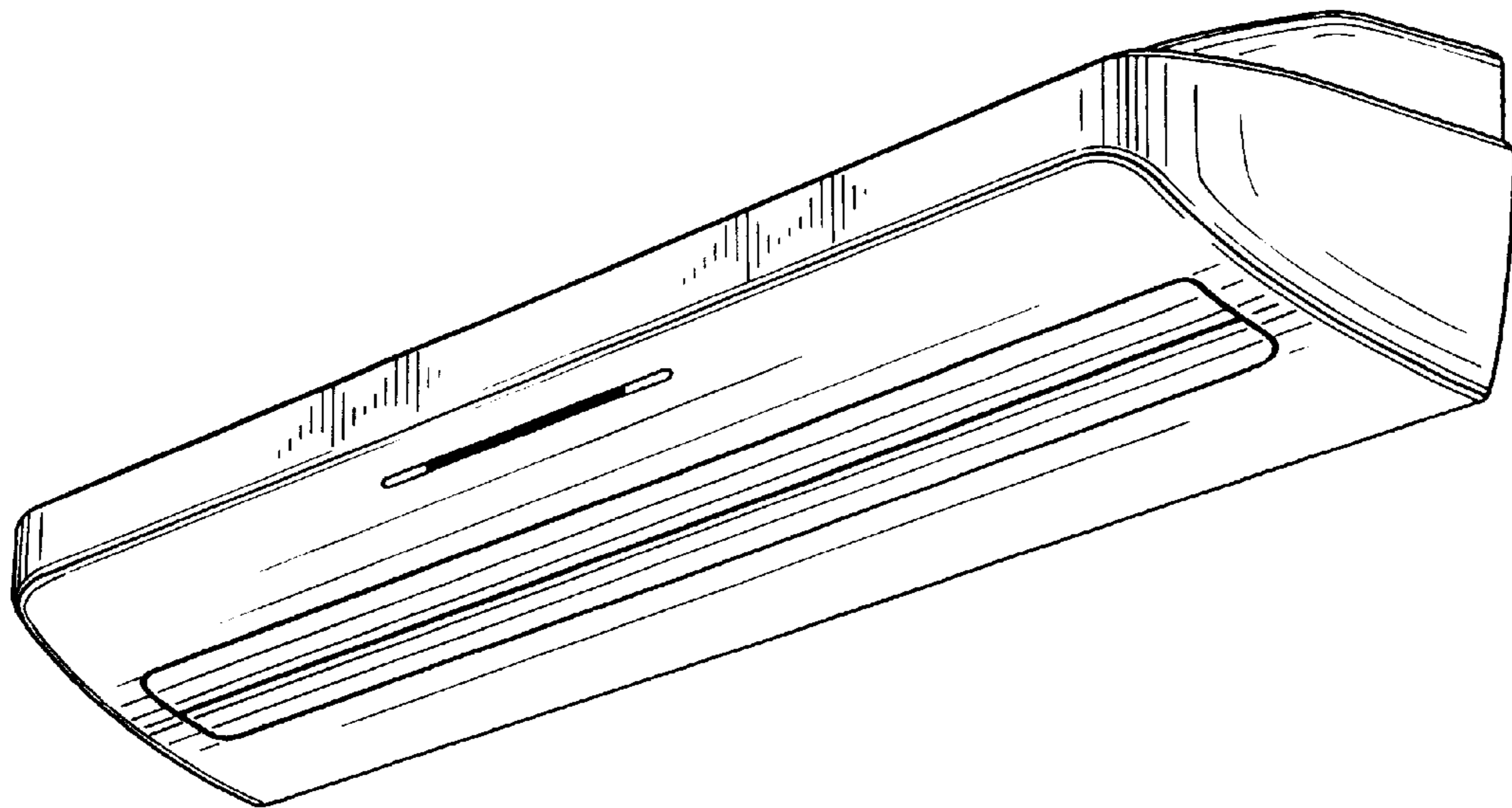


FIG. 1

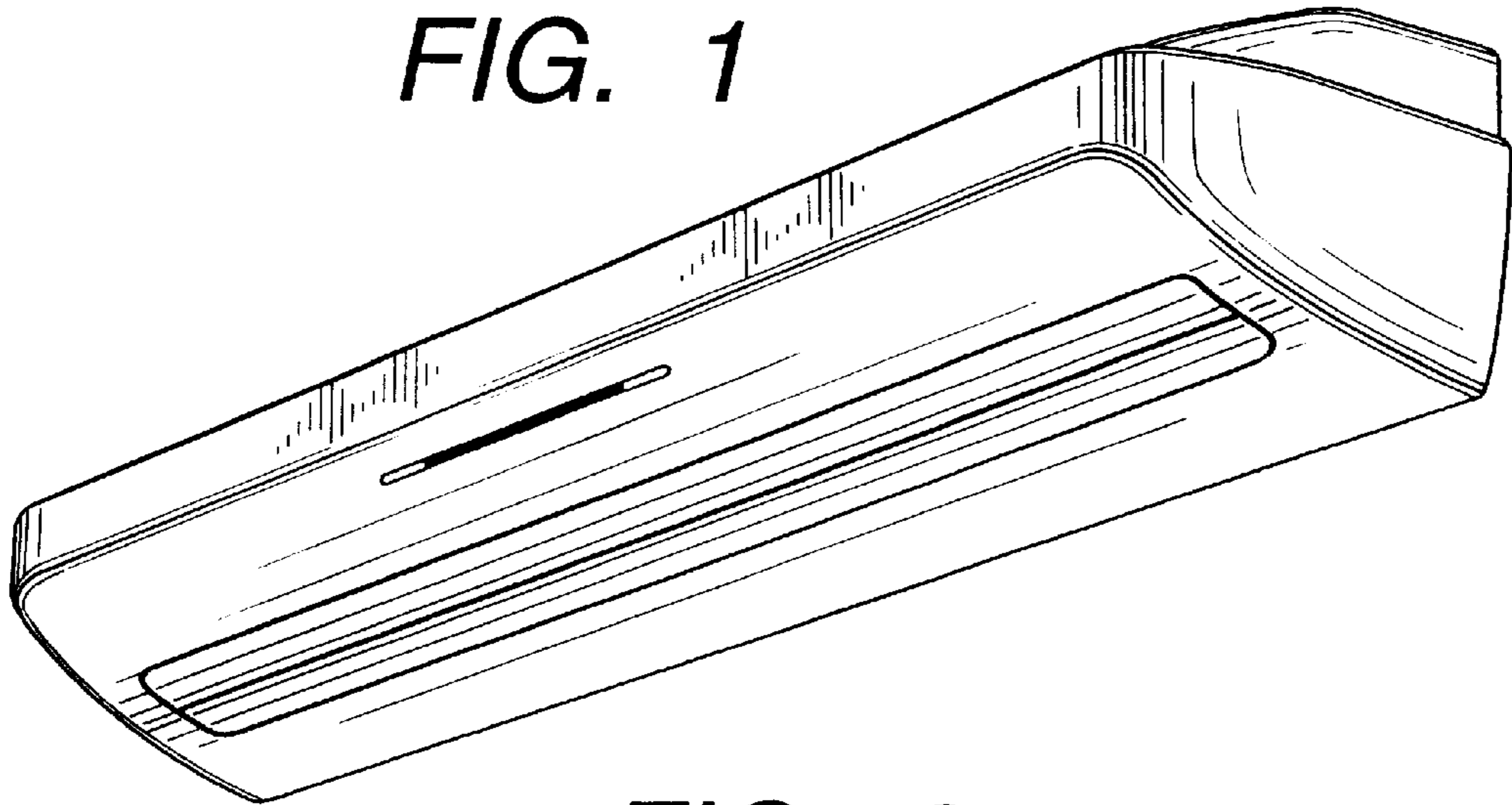


FIG. 2

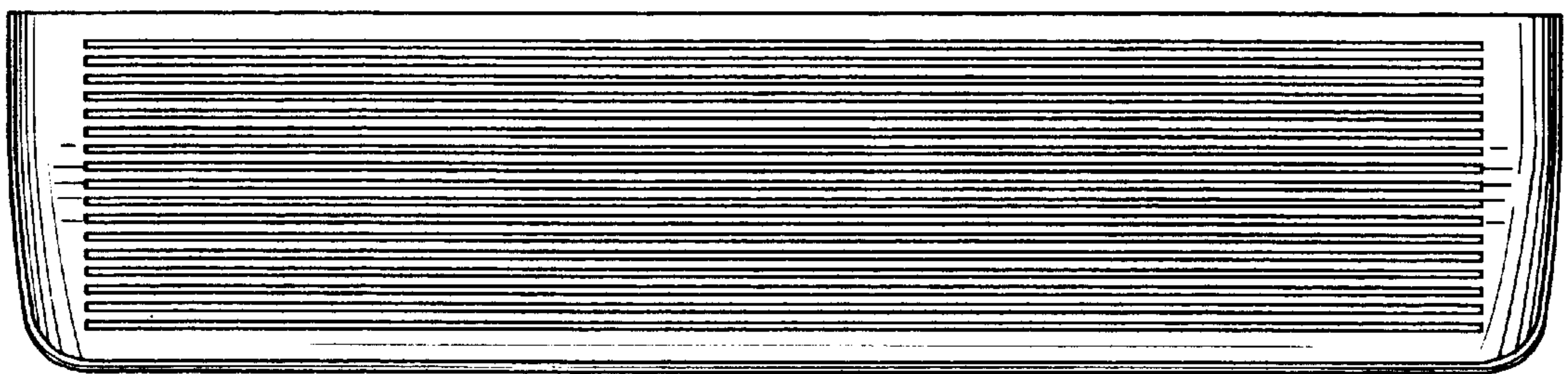


FIG. 3

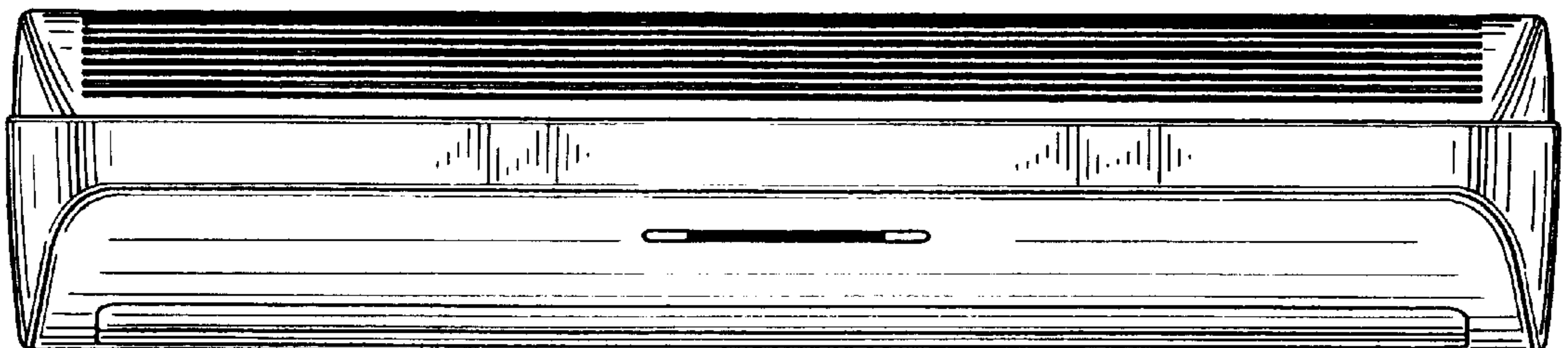


FIG. 4

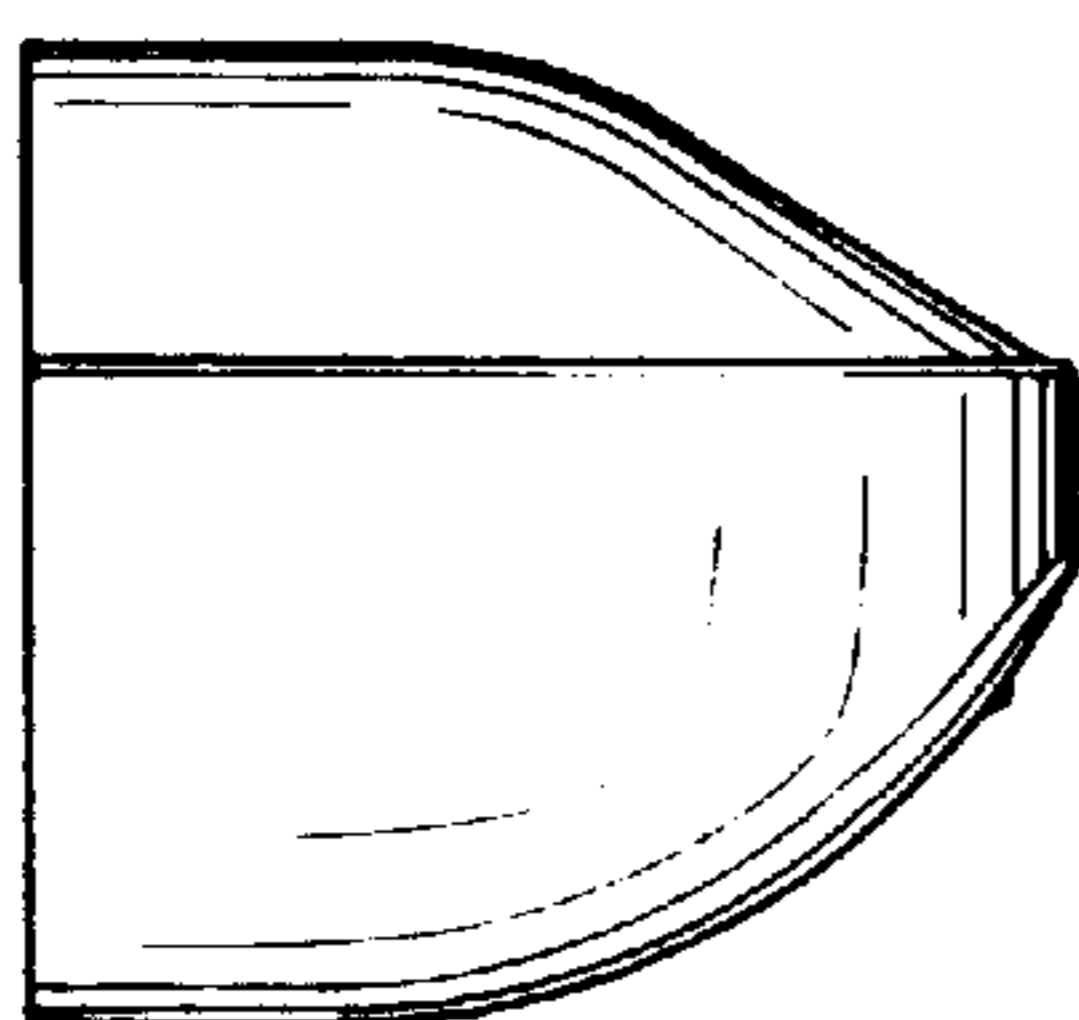


FIG. 5

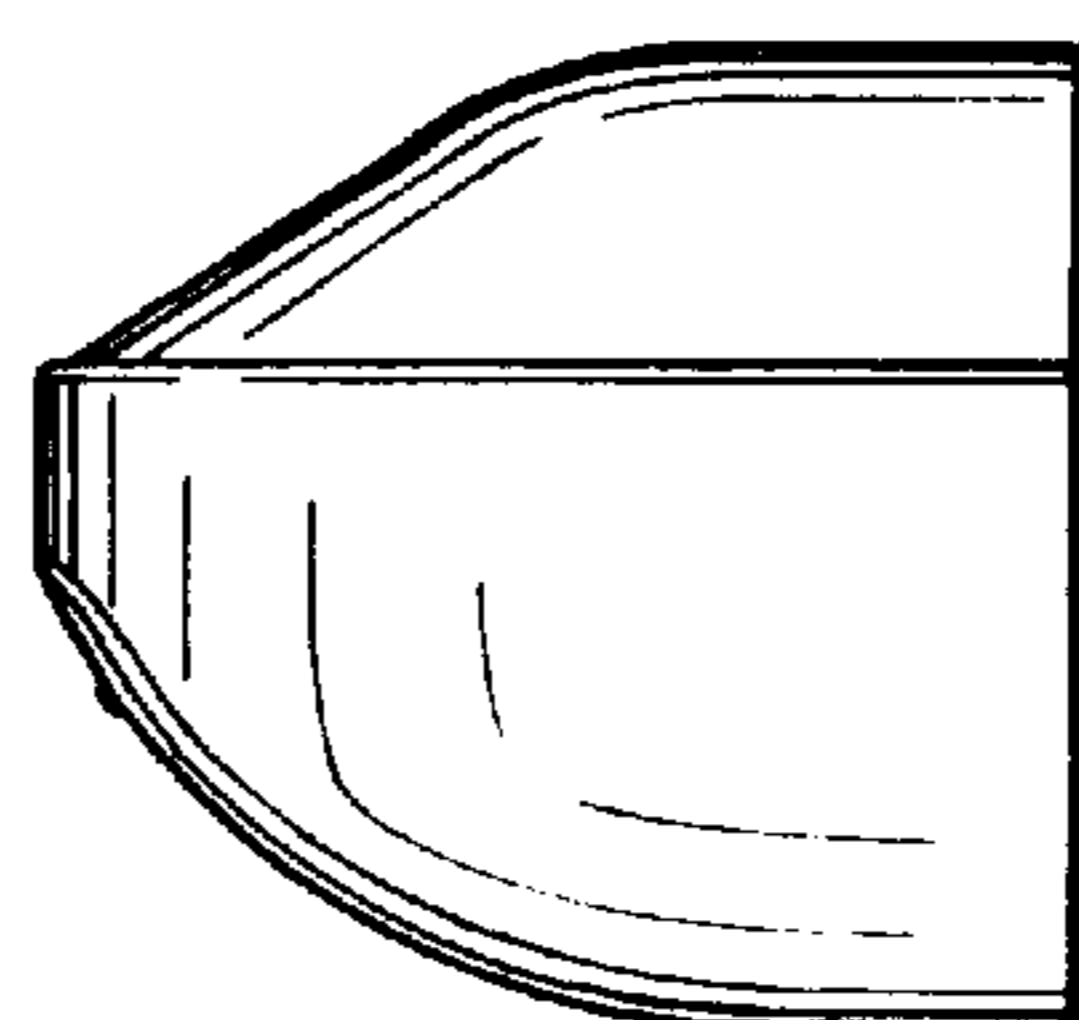


FIG. 6

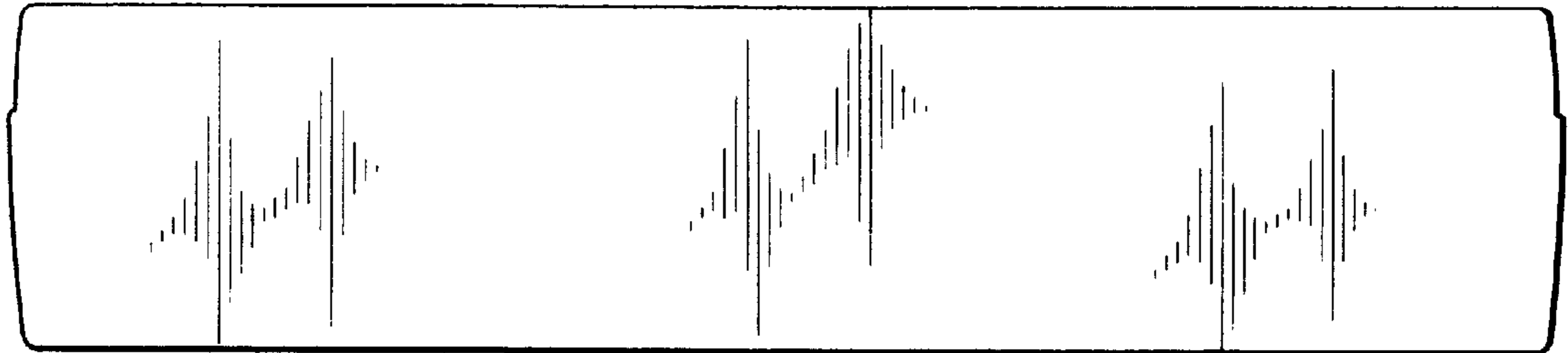


FIG. 7

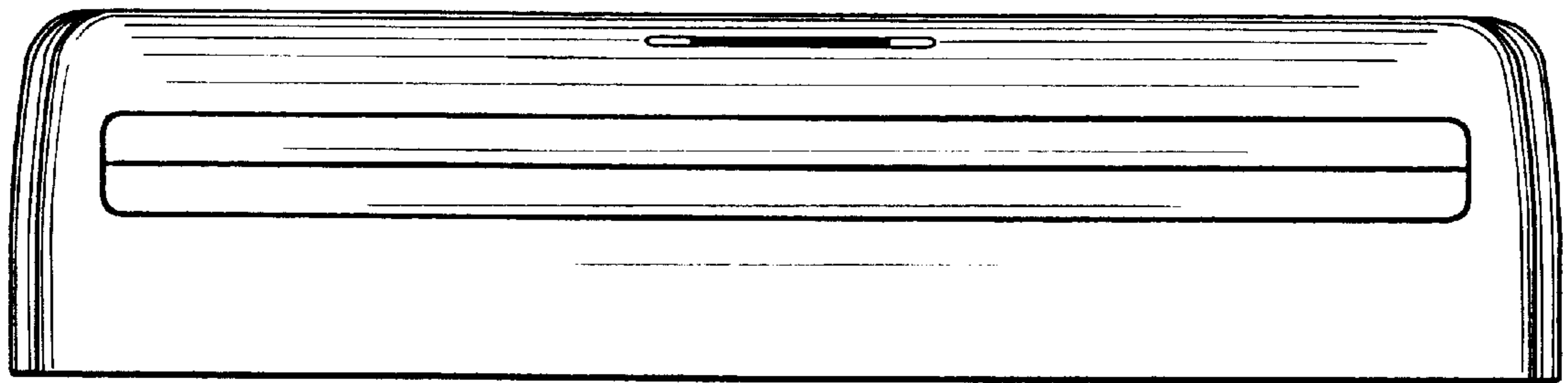


FIG. 8

