



US00D447225B1

(12) **United States Design Patent**
Tani

(10) **Patent No.:** **US D447,225 S**

(45) **Date of Patent:** **** Aug. 28, 2001**

(54) **WATER CLOSET**

(75) Inventor: **Minoru Tani**, Kitakyushu (JP)

(73) Assignee: **Toto Ltd.** (JP)

(**) Term: **14 Years**

(21) Appl. No.: **29/070,755**

(22) Filed: **May 15, 1997**

(30) **Foreign Application Priority Data**

Nov. 15, 1996 (JP) 8-34747

(51) **LOC (7) Cl.** **23-02**

(52) **U.S. Cl.** **D23/301**

(58) **Field of Search** D23/205-301,
D23/303-311; 4/300, 329-332, 353, 354,
363-365, 420, 420.1-420.5, 443-448, 661

(56) **References Cited**

U.S. PATENT DOCUMENTS

- D. 250,202 11/1978 Doman et al. D23/65
- D. 278,078 3/1985 Kaiser D23/65
- D. 311,243 * 10/1990 Vaupel et al. D23/301
- D. 349,156 * 7/1994 Kohler, Jr. et al. D23/301
- D. 352,549 11/1994 Sim D23/301
- D. 353,450 * 12/1994 Anderson et al. D23/301

- D. 379,496 * 5/1997 Kawamura et al. D23/301
- D. 381,408 * 7/1997 Birsell et al. D23/301
- D. 383,833 * 9/1997 Birsell et al. D23/301
- D. 384,136 * 9/1997 Kawamura et al. D23/301
- D. 393,309 * 4/1998 Tani D23/301

FOREIGN PATENT DOCUMENTS

- 845954 8/1992 (JP) .
- 922493 3/1995 (JP) .
- 925113 5/1995 (JP) .

* cited by examiner

Primary Examiner—Eric Watterson

(74) *Attorney, Agent, or Firm*—Finnegan, Henderson, Farabow, Garrett & Dunner, L.L.P.

(57) **CLAIM**

The ornamental design for a water closet, as shown and described.

DESCRIPTION

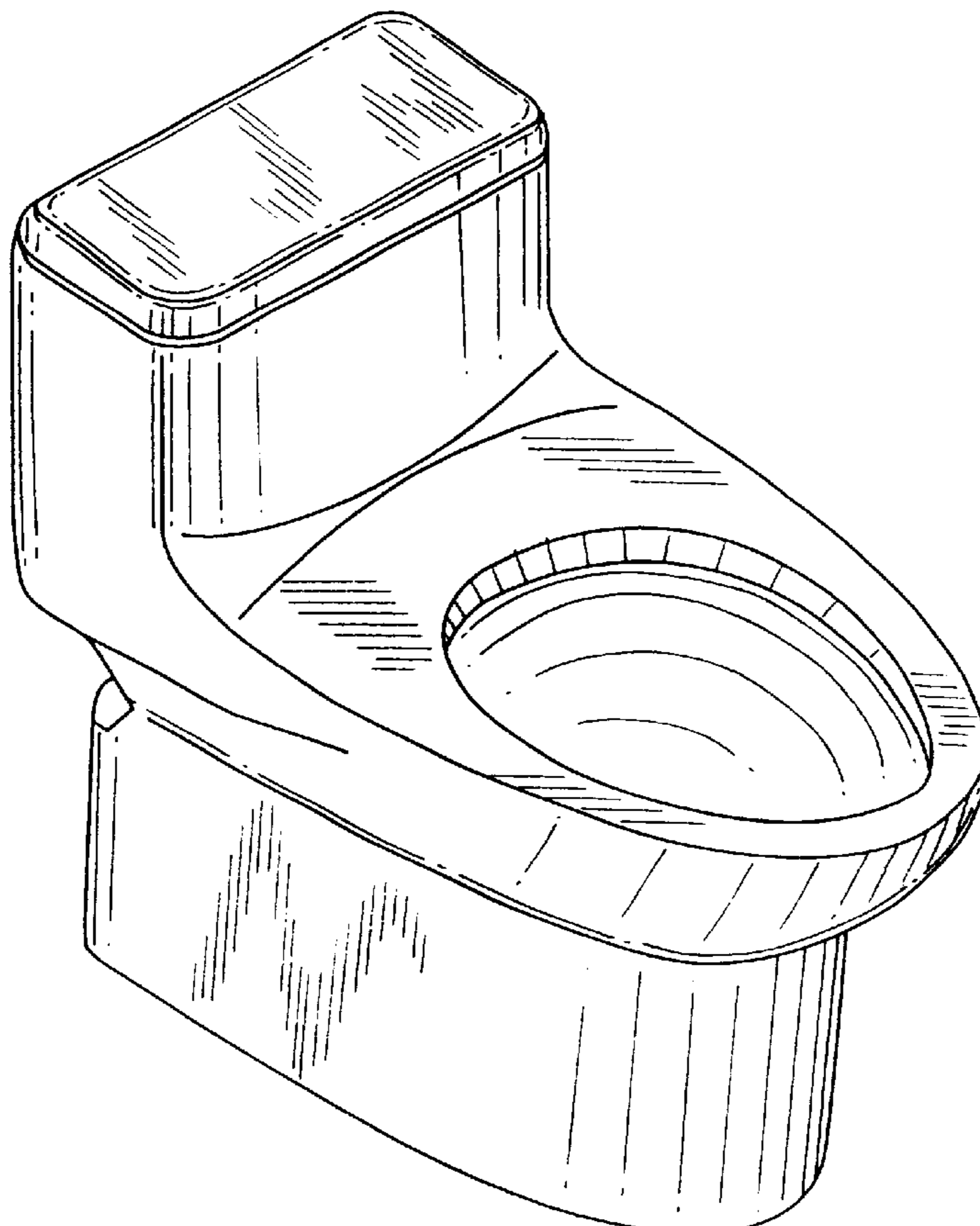
FIG. 1 is a front view of a water closet embodying my design:

FIG. 2 is a top view thereof;

FIG. 3 is a right side view thereof, the left side being a mirror image of the right side; and,

FIG. 4 is a perspective view thereof.

1 Claim, 2 Drawing Sheets



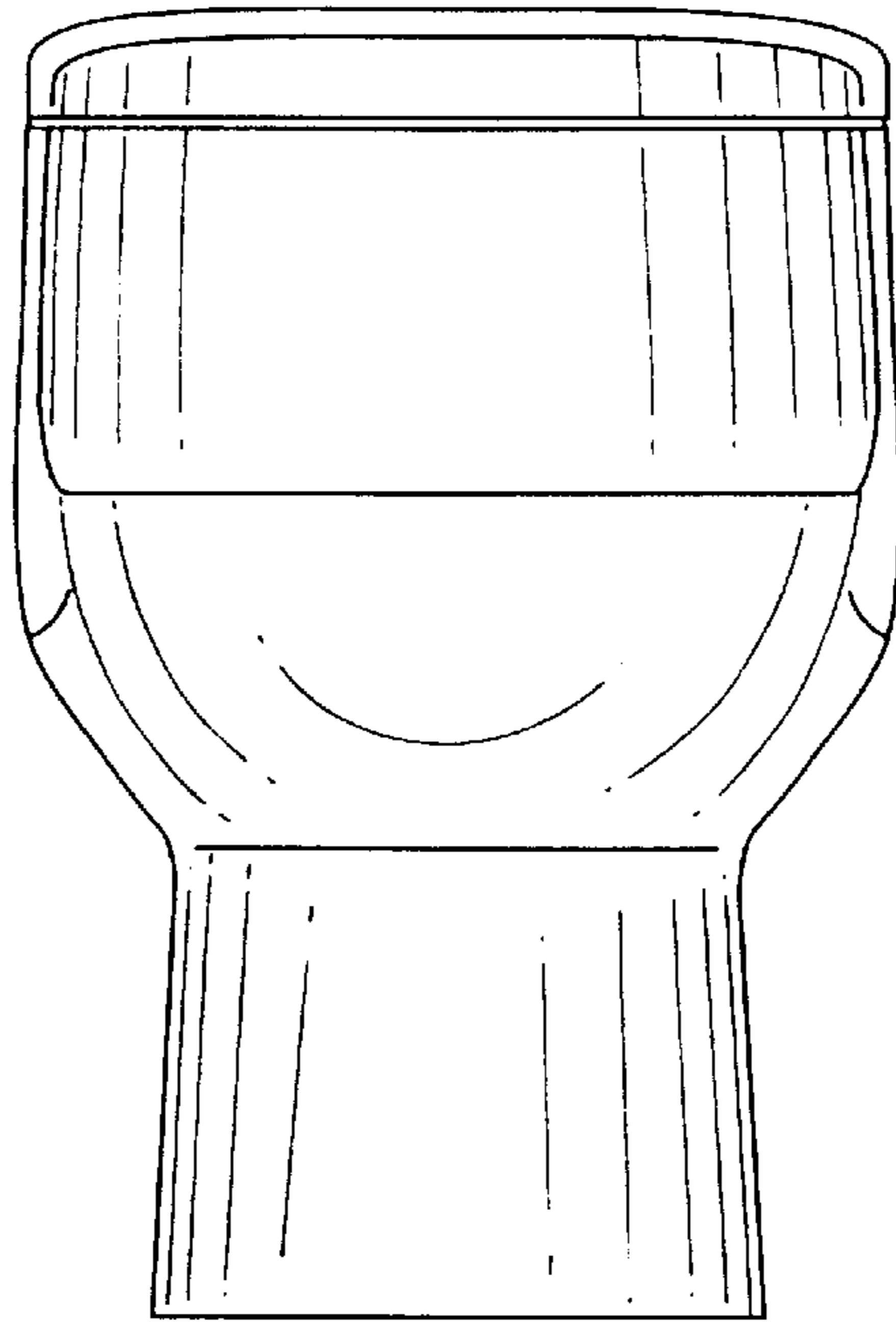


FIG. 1

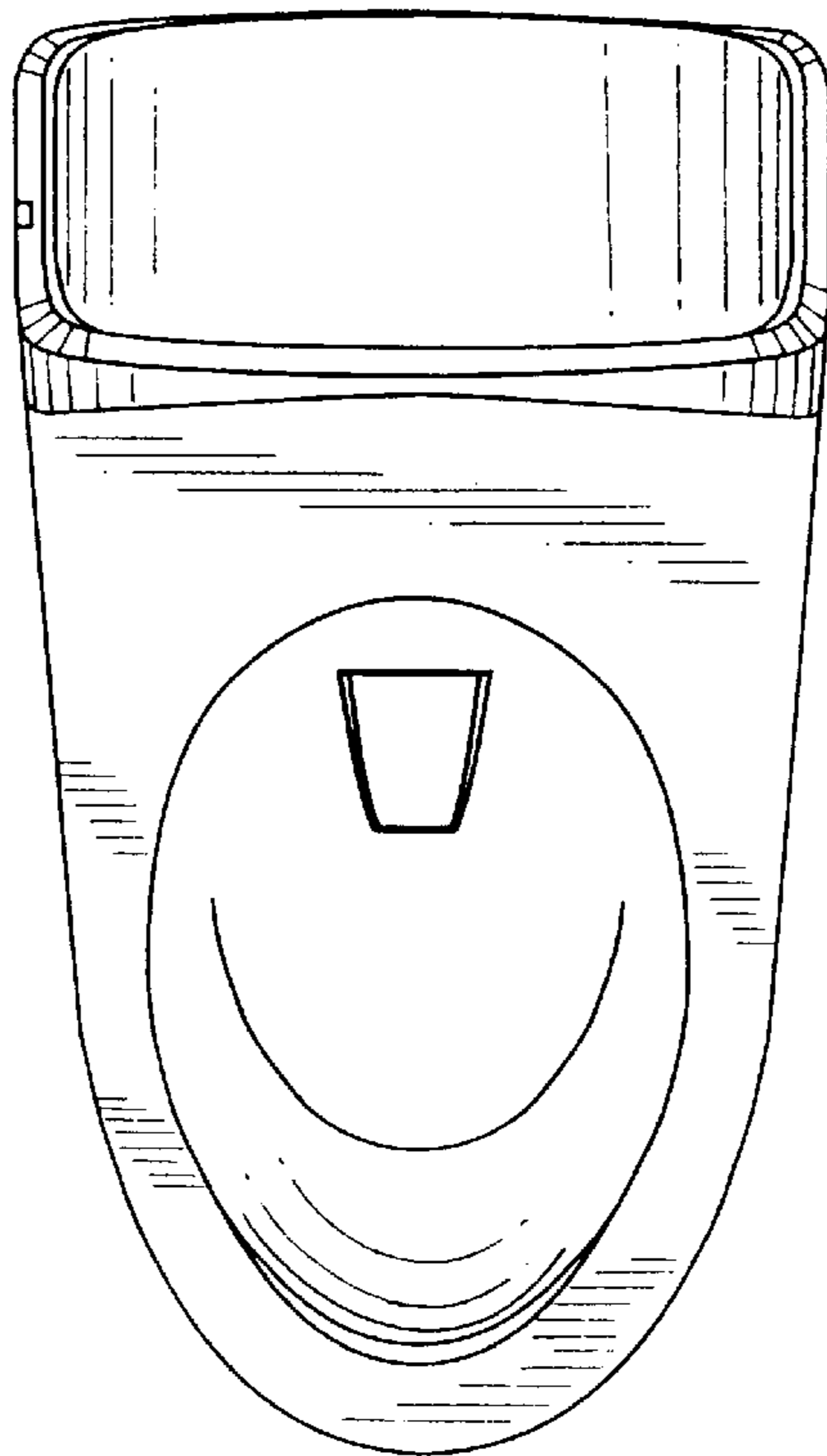


FIG. 2

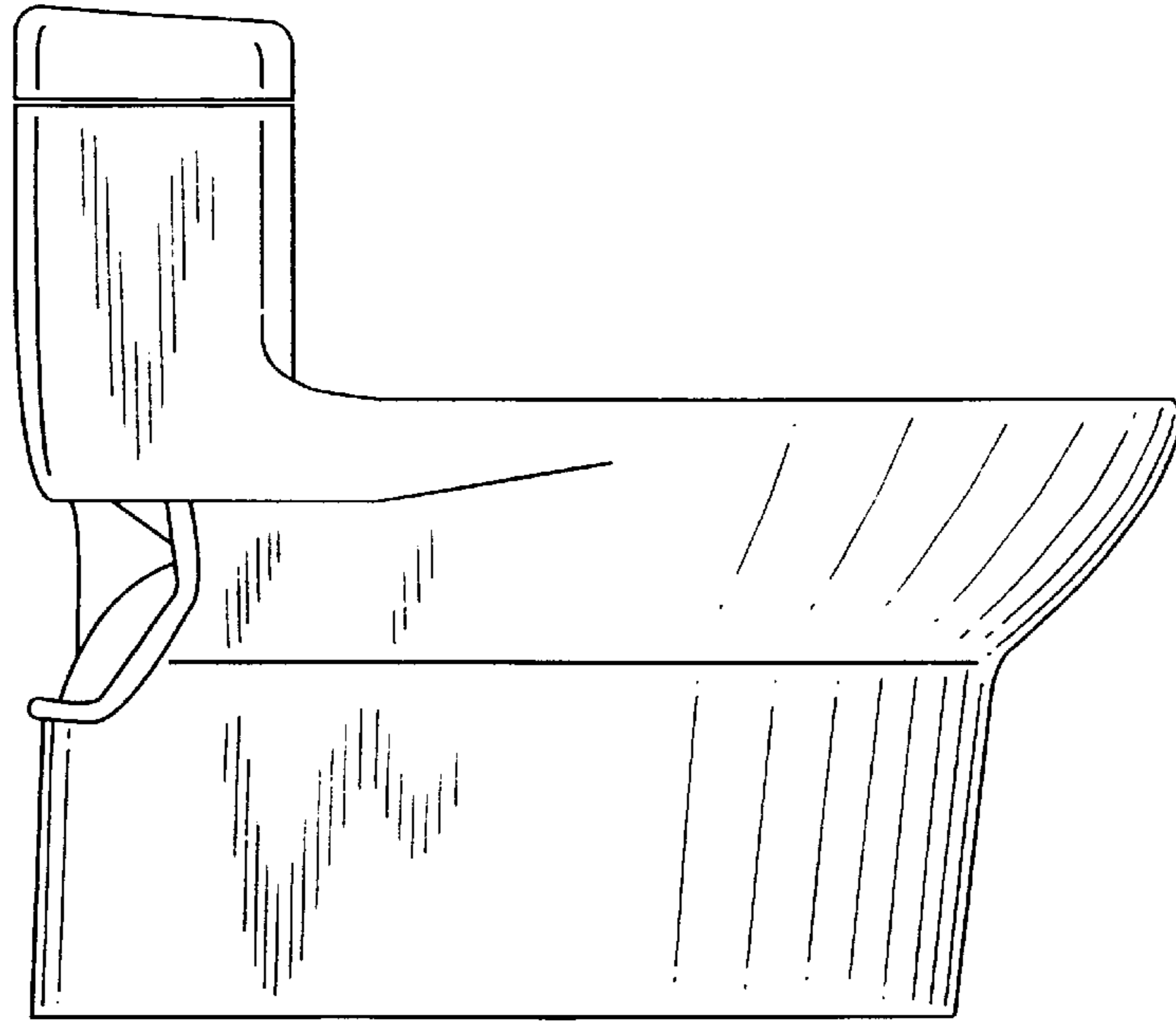


FIG. 3

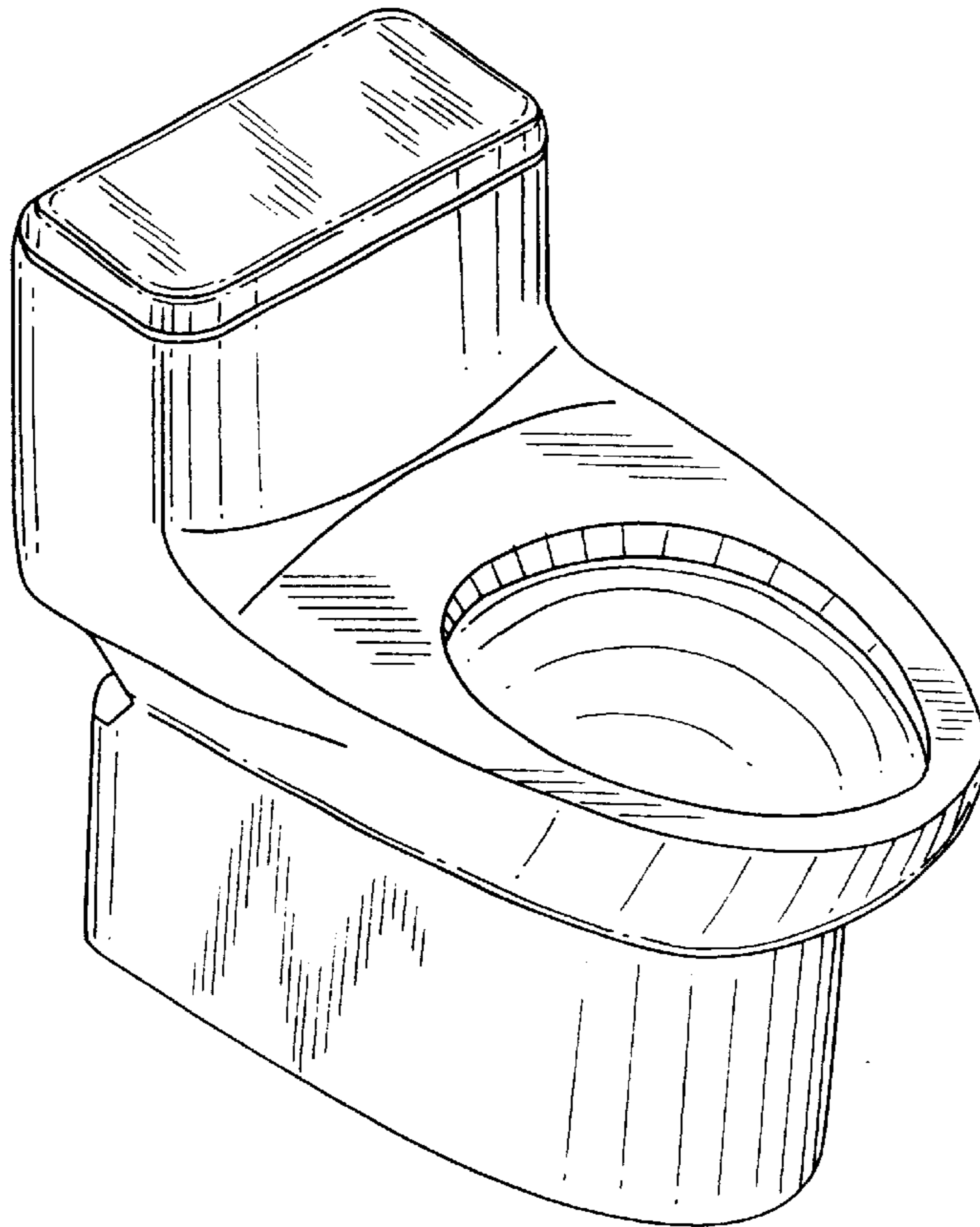


FIG. 4