



US00D447224B1

(12) **United States Design Patent**  
**Barnum et al.**

(10) **Patent No.:** **US D447,224 S**

(45) **Date of Patent:** **\*\* Aug. 28, 2001**

(54) <b>MULTI-LAVATORY SYSTEM</b>	5,086,526	2/1992	Van Marcke .....	4/623
	5,369,818	12/1994	Barnum et al. ....	4/624
(75) Inventors: <b>Thomas G. Barnum</b> , Fox Point, WI (US); <b>Jon W. Hauser, II</b> , Geneva, IL (US)	5,611,093	3/1997	Barnum et al. ....	4/624

**FOREIGN PATENT DOCUMENTS**

1064436	8/1959	(DE) .
2304815	8/1974	(DE) .
2645445	4/1978	(DE) .
1366689	8/1963	(FR) .

(73) Assignee: **Bradley Fixtures Corporation**,  
Menomonee Falls, WI (US)

(\*\*) Term: **14 Years**

**OTHER PUBLICATIONS**

(21) Appl. No.: **29/086,472**

(22) Filed: **Apr. 14, 1998**

Promotional materials from "Alape" (bearing a designation of "7/89-H") (6 sheets) (best copy available).  
Brochure regarding The Bradley Express™ Lavatory System, ©1993 Bradley Corporation.  
Brochure L1000098 regarding Meridian Stainless Steel Fixtures, Acorn Engineering Company obtained by Bradley personnel at a trade show in 1996.

**Related U.S. Application Data**

(63) Continuation-in-part of application No. 29/064,125, filed on Dec. 23, 1996, now Pat. No. Des. 398,969, which is a continuation of application No. 08/610,807, filed on Mar. 7, 1996, now Pat. No. 5,611,093, which is a continuation of application No. 08/324,165, filed on Oct. 14, 1994, now abandoned, which is a continuation of application No. 08/063,278, filed on May 18, 1993, now Pat. No. 5,369,818.

*Primary Examiner*—Doris Clark  
(74) *Attorney, Agent, or Firm*—Foley & Lardner

(51) **LOC (7) Cl.** ..... **23-02**

(52) **U.S. Cl.** ..... **D23/280**

(58) **Field of Search** ..... D23/277-280.4;  
4/619, 625, 635-650

(57) **CLAIM**

We claim the ornamental design for a multi-lavatory system, as shown and described.

(56) **References Cited**

**DESCRIPTION**

**U.S. PATENT DOCUMENTS**

D. 36,595	10/1903	Peet .	
206,454	7/1878	Humphrey .	
D. 319,300	8/1991	Stairs, Jr. ....	D23/288
D. 319,691	9/1991	Yvetot .....	D23/294
D. 323,704	2/1992	Stairs, Jr. ....	D23/290
1,323,398	12/1919	Leland .	
2,028,802	1/1936	Ottke .	
2,131,124	9/1938	Smith .	
2,810,916	10/1957	Cullen .	
2,836,080	5/1958	Mullett .	
2,965,906	12/1960	Mullett et al. .	
3,728,745	4/1973	Brendgord et al. ....	4/166
3,765,036	10/1973	Dykstra .....	4/192
4,336,619	6/1982	Hinkel et al. ....	4/619
4,942,631	7/1990	Rosa .....	4/623

FIG. 1 is a perspective view of a preferred embodiment of a multi-lavatory system.  
FIG. 2 is a front elevation view of the multi-lavatory system.  
FIG. 3 is a top plan view of the multi-lavatory system.  
FIG. 4 is a left-side elevation view of the multi-lavatory system wherein the right-side elevational view is a mirror image of the left.  
FIG. 5 is a perspective view of a second embodiment of a multi-lavatory system.  
FIG. 6 is a front elevation view of the second embodiment of the multi-lavatory system.  
FIG. 7 is a top plan view of the second embodiment of the multi-lavatory system; and,  
FIG. 8 is a left-side elevation view of the second embodiment of the multi-lavatory system wherein the right-side elevation view is a mirror image of the left-side elevation view.

**1 Claim, 3 Drawing Sheets**

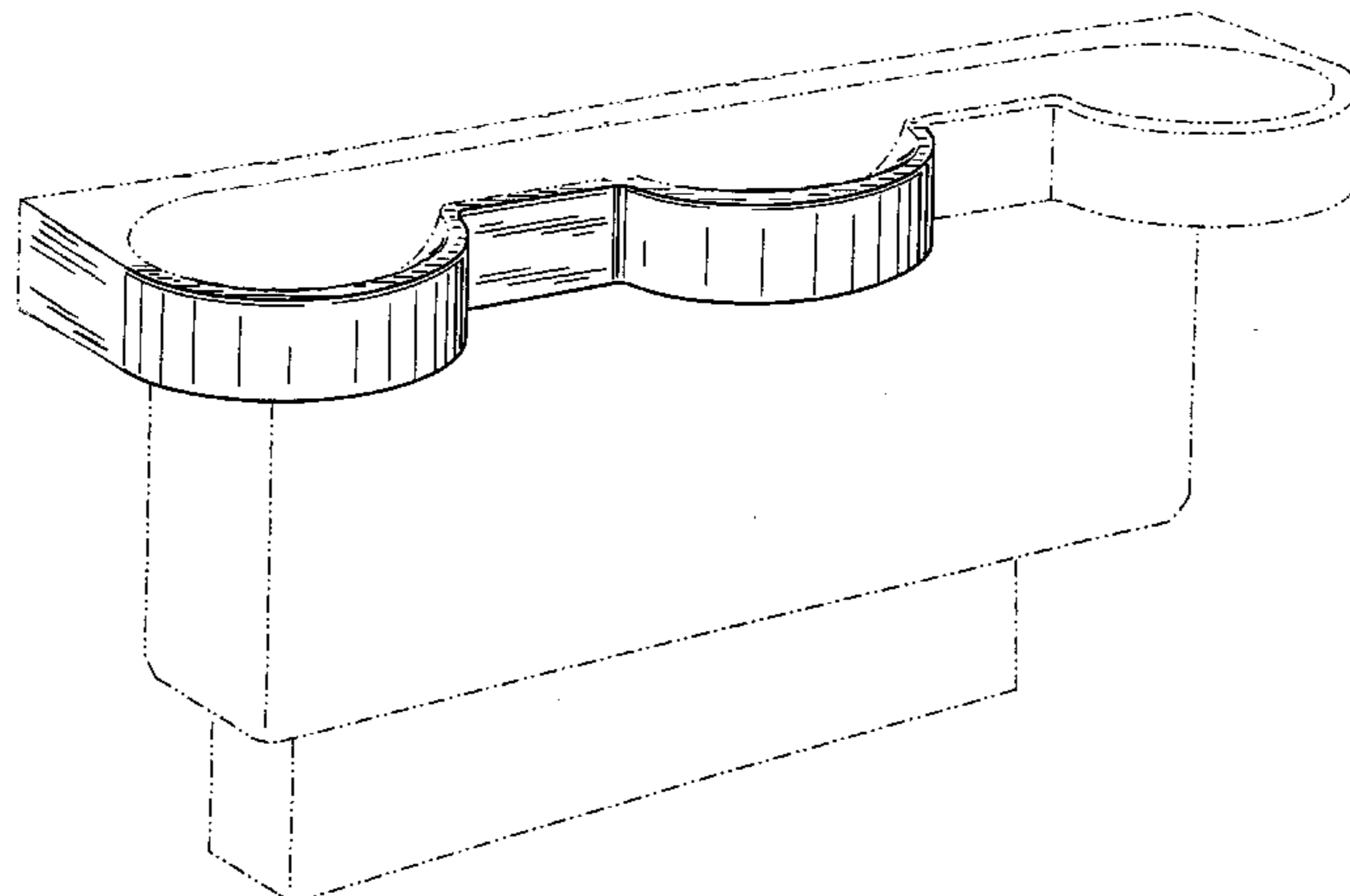


FIG. 1

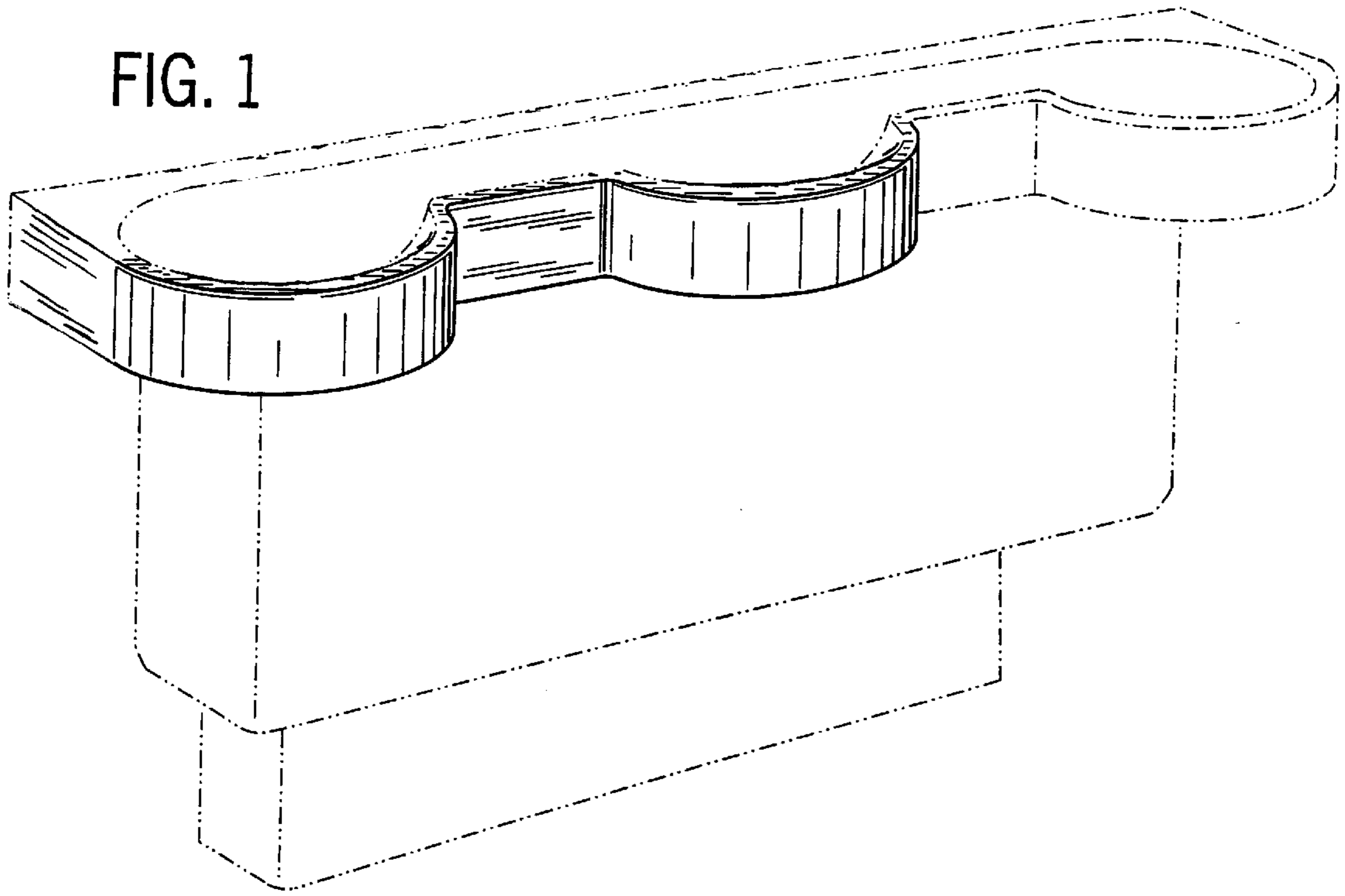


FIG. 5

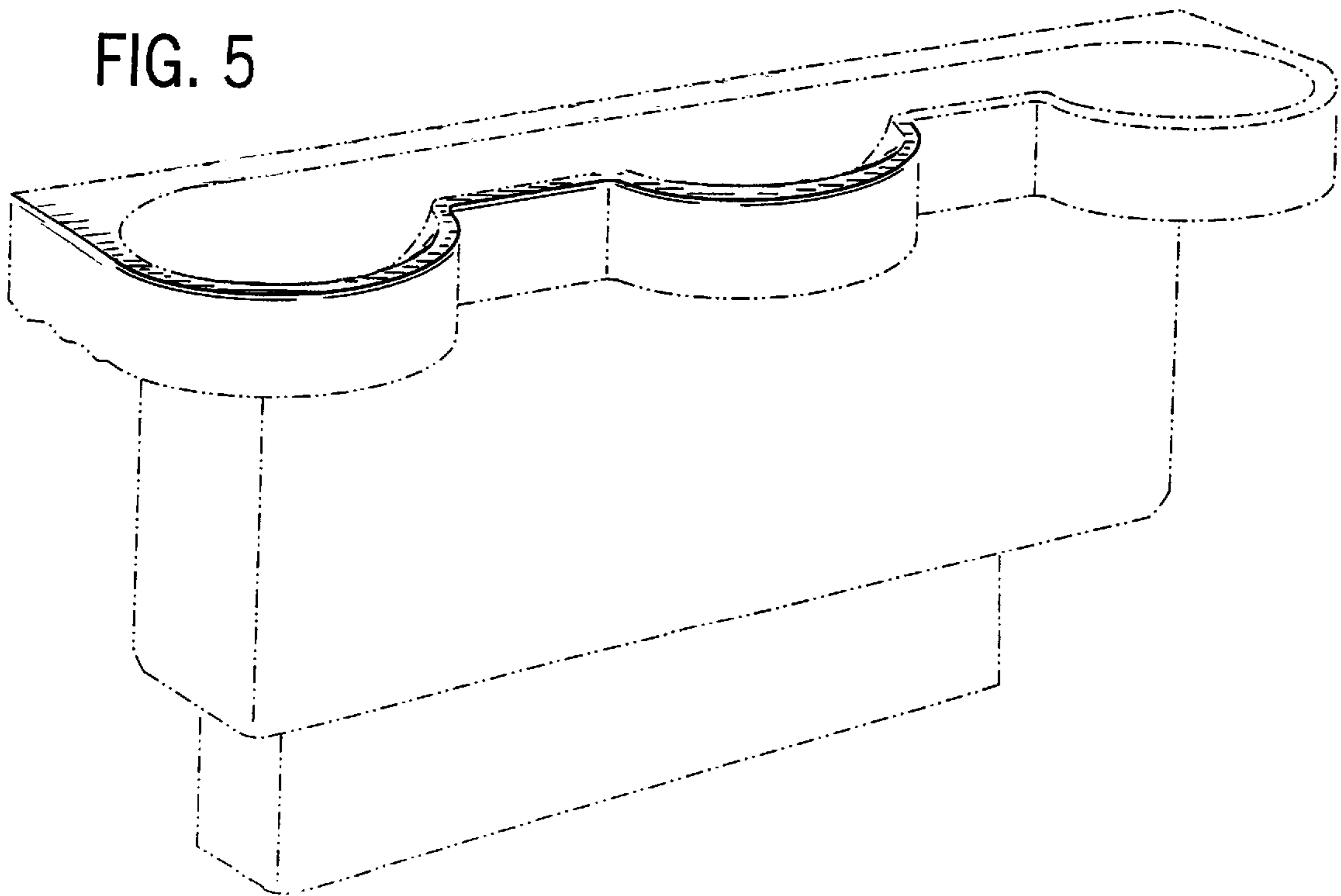


FIG. 3

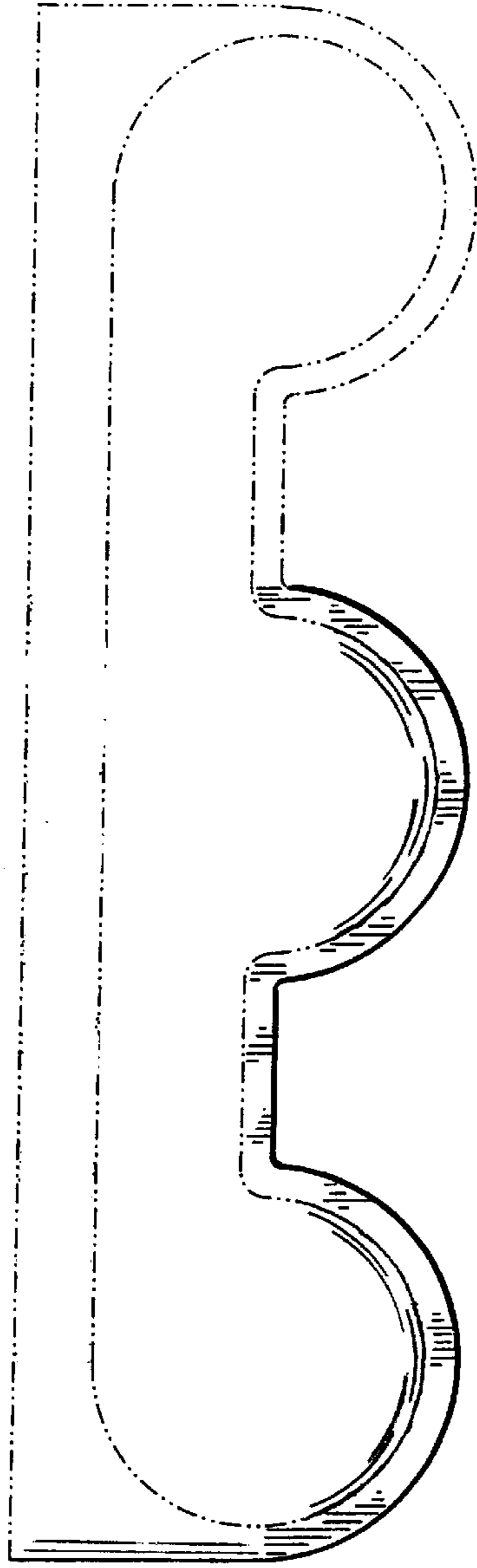


FIG. 2

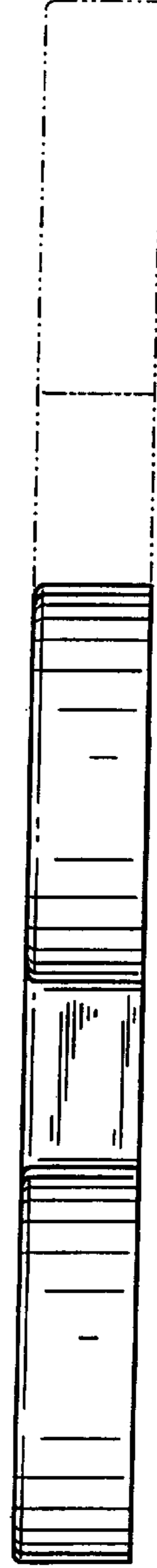


FIG. 4



FIG. 7

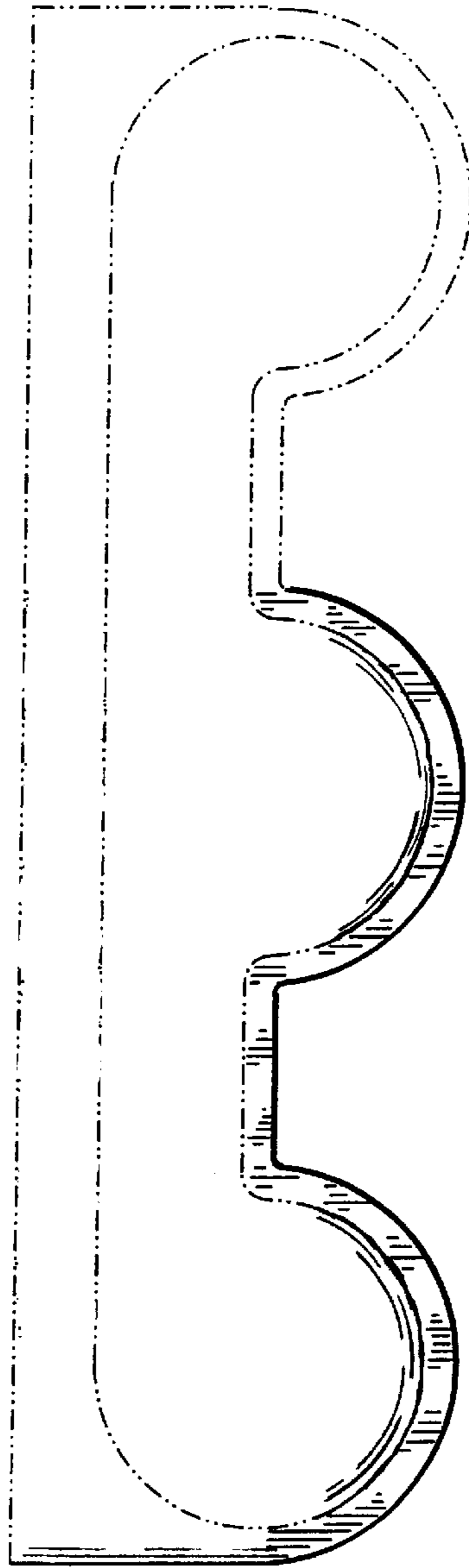


FIG. 6

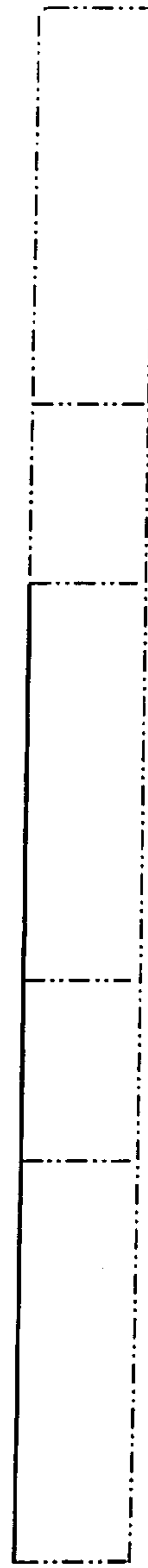


FIG. 8

