



US00D447222B1

(12) **United States Design Patent**
Mathers

(10) **Patent No.:** **US D447,222 S**

(45) **Date of Patent:** **** Aug. 28, 2001**

(54) **SEAL**

(76) **Inventor:** **Norman Ian Mathers**, 4 Forte Court,
Bridgeman Downs, Queensland 4035
(AU)

(**) **Term:** **14 Years**

(21) **Appl. No.:** **29/099,122**

(22) **Filed:** **Jan. 13, 1999**

(51) **LOC (7) Cl.** **23-01**

(52) **U.S. Cl.** **D23/269**

(58) **Field of Search** D23/269, 261;
D8/375; D12/134, 135, 204, 207, 208;
277/377, 380, 381, 384, 314, 530, 531,
602, 608, 625, 626; 285/95, 109, 335, 374,
110, 231, 910

(56) **References Cited**

U.S. PATENT DOCUMENTS

D. 269,454 * 6/1983 Houseman D23/261

D. 363,771 * 10/1995 Mathers D23/269

D. 380,039 * 6/1997 Sutherland et al. D23/269

5,199,750 * 4/1993 Yang 285/231

* cited by examiner

Primary Examiner—Alan P. Douglas

Assistant Examiner—Reid Hecker

(74) *Attorney, Agent, or Firm*—Akin, Gump, Strauss,
Haver & Feld, L.L.P.

(57) **CLAIM**

The ornamental design for a seal, as shown and described.

DESCRIPTION

FIG. 1 is a top perspective view of a seal showing my new design;

FIG. 2 is a right side elevational view thereof, a left side view thereof being a mirror image;

FIG. 3 is a bottom plan view thereof; and,

FIG. 4 is a sectional perspective view thereof taken along lines IV—IV of FIG. 1.

1 Claim, 2 Drawing Sheets

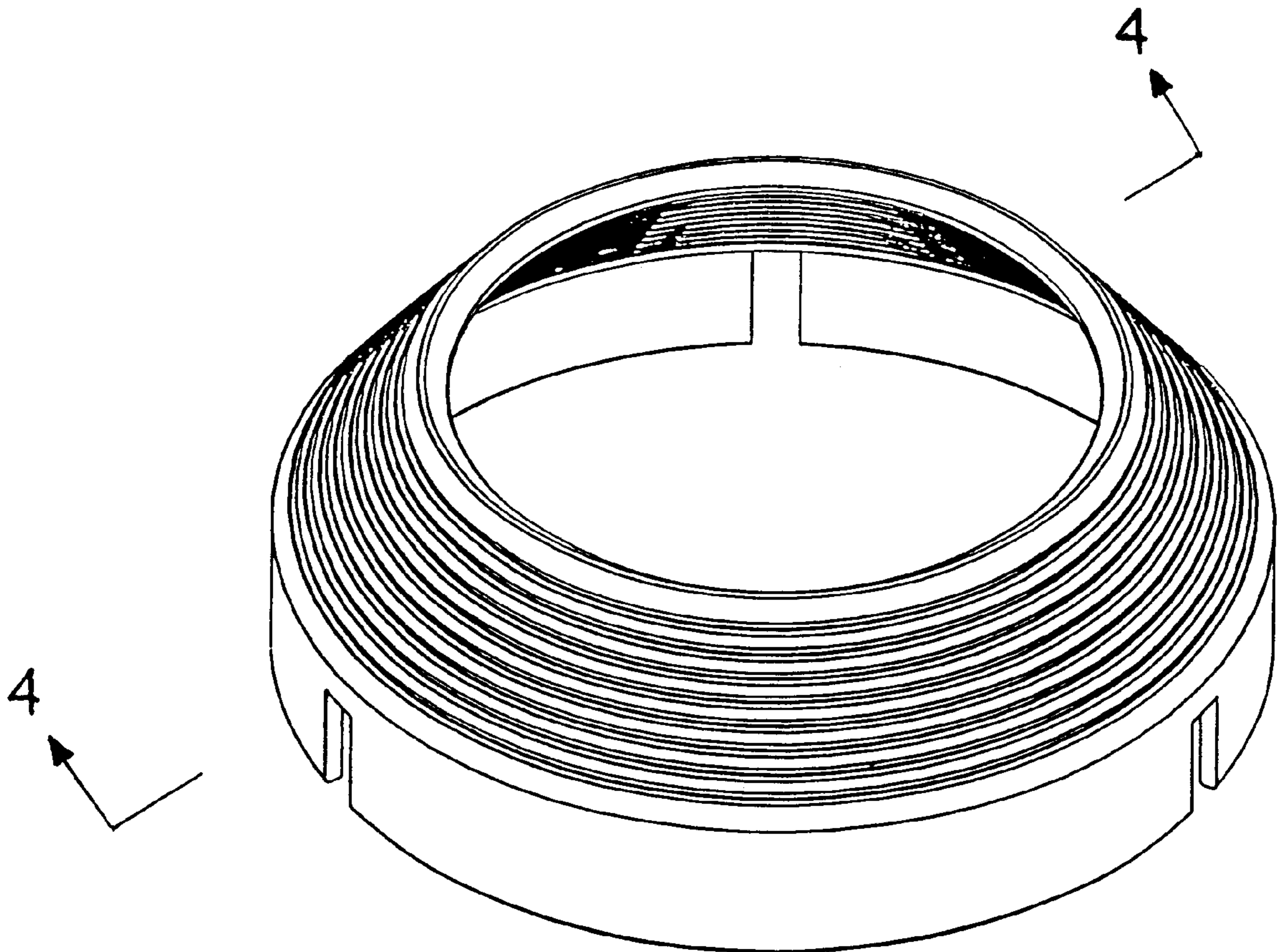


FIGURE 1

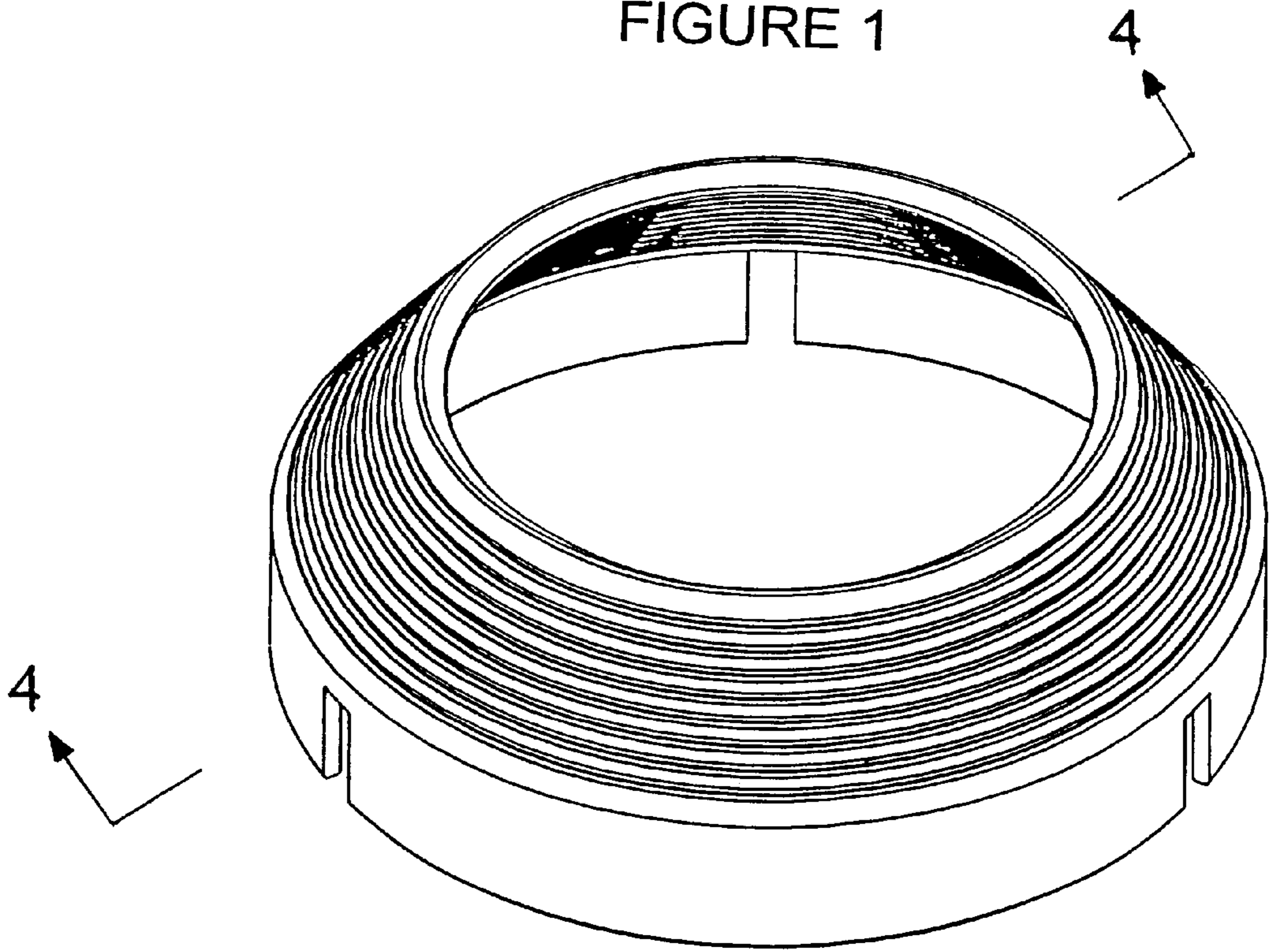


FIGURE 2

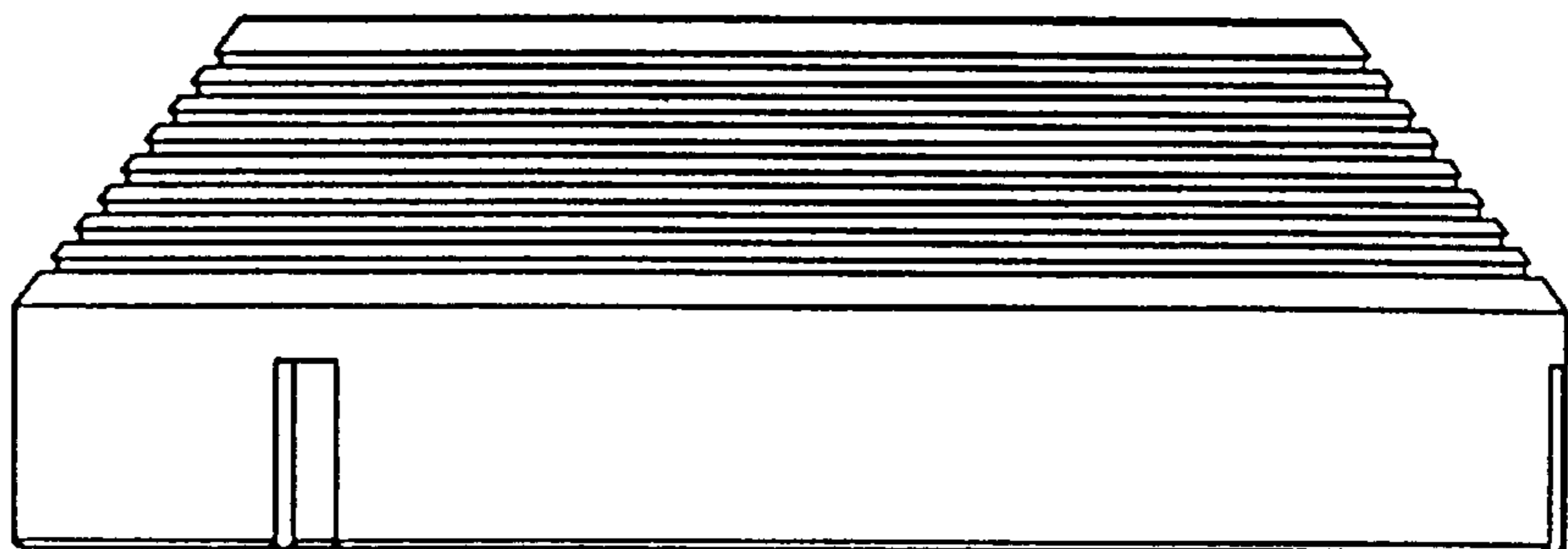


FIGURE 3

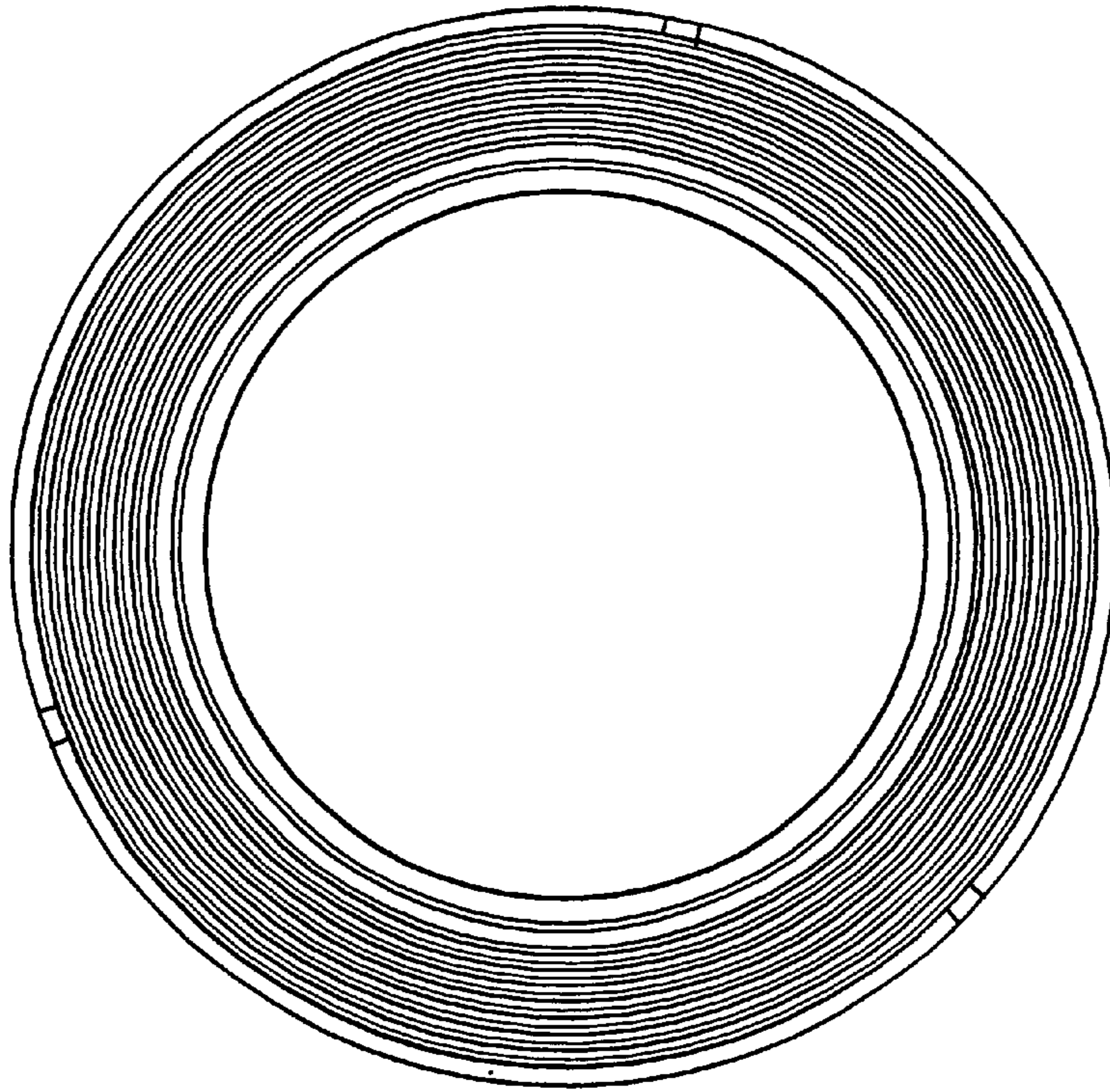


FIGURE 4

