



US00D447220B1

(12) **United States Design Patent**
Müllenmeister

(10) **Patent No.:** **US D447,220 S**

(45) **Date of Patent:** **** Aug. 28, 2001**

(54) **FLOW-DIVERTER FAUCET**

D. 408,503 * 4/1999 Lobermeier D23/238
D. 410,735 * 6/1999 Gottwald D13/238

(75) Inventor: **Daniel Müllenmeister**, Havixbeck (DE)

* cited by examiner

(73) Assignee: **Friedrich Grohe AG & Co. KG**,
Hemer (DE)

Primary Examiner—Louis S. Zarfes

Assistant Examiner—Gregory Andoll

(**) Term: **14 Years**

(74) *Attorney, Agent, or Firm*—Herbert Dubno

(21) Appl. No.: **29/132,867**

(57) **CLAIM**

(22) Filed: **Nov. 16, 2000**

The ornamental design for a flow-diverter faucet, as shown and described.

(30) **Foreign Application Priority Data**

DESCRIPTION

Jun. 22, 2000 (DE) 4 00 05 887

FIG. 1 is a top, front, left-side perspective view of a flow-diverter faucet showing my new design;

(51) **LOC (7) Cl.** **23-01**

FIG. 2 is a left side elevational view thereof, the right side elevational view being mirror symmetrical thereto;

(52) **U.S. Cl.** **D23/238**

FIG. 3 is a bottom plan view thereof;

(58) **Field of Search** D23/238-243,
D23/250-257; 4/675-678; 137/801

FIG. 4 is a top plan view thereof;

FIG. 5 is a rear elevational view thereof; and,

(56) **References Cited**

FIG. 6 is a front elevational view thereof.

U.S. PATENT DOCUMENTS

D. 382,043 * 8/1997 Wang D23/238

1 Claim, 4 Drawing Sheets

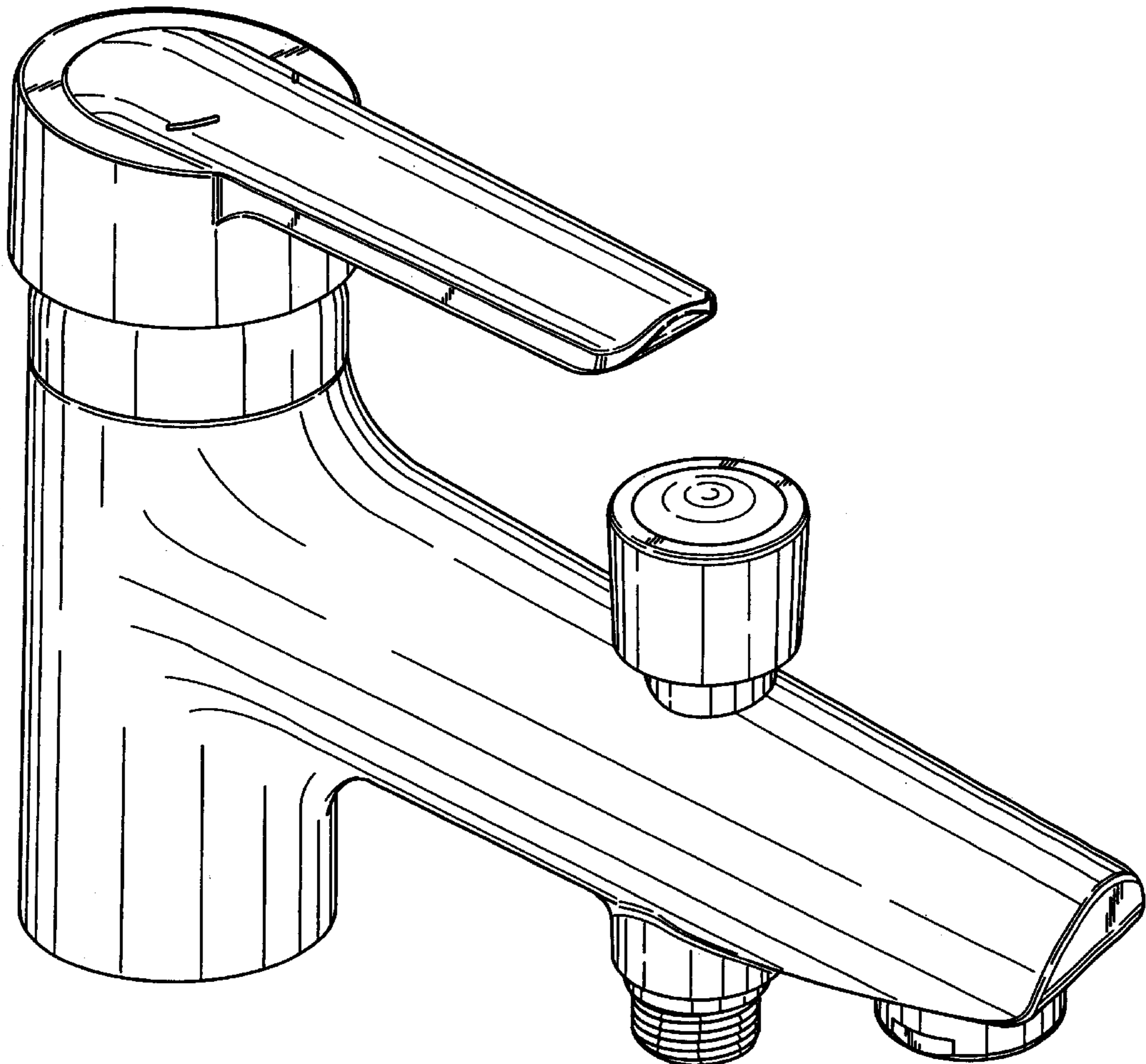


FIG. 1

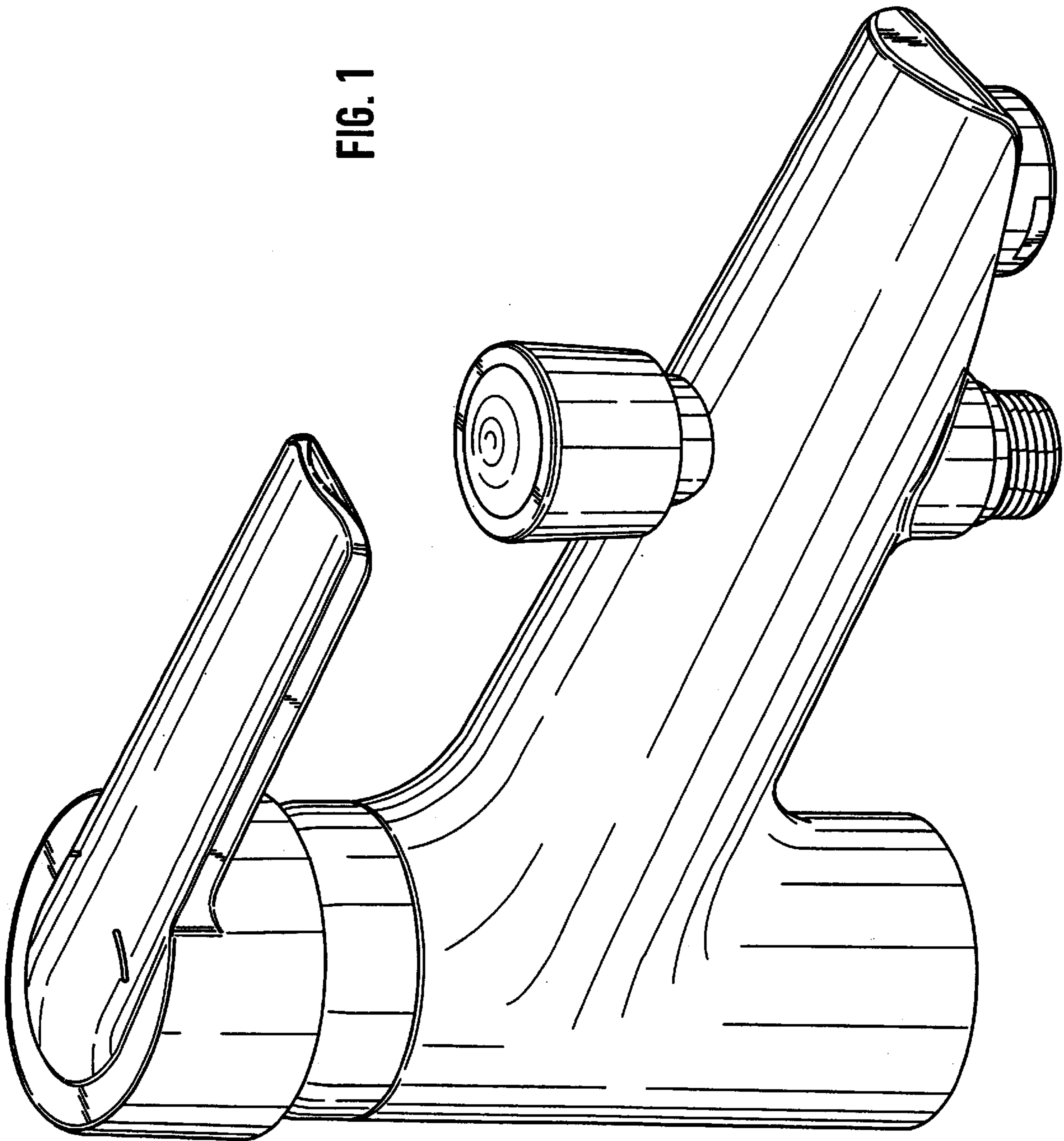
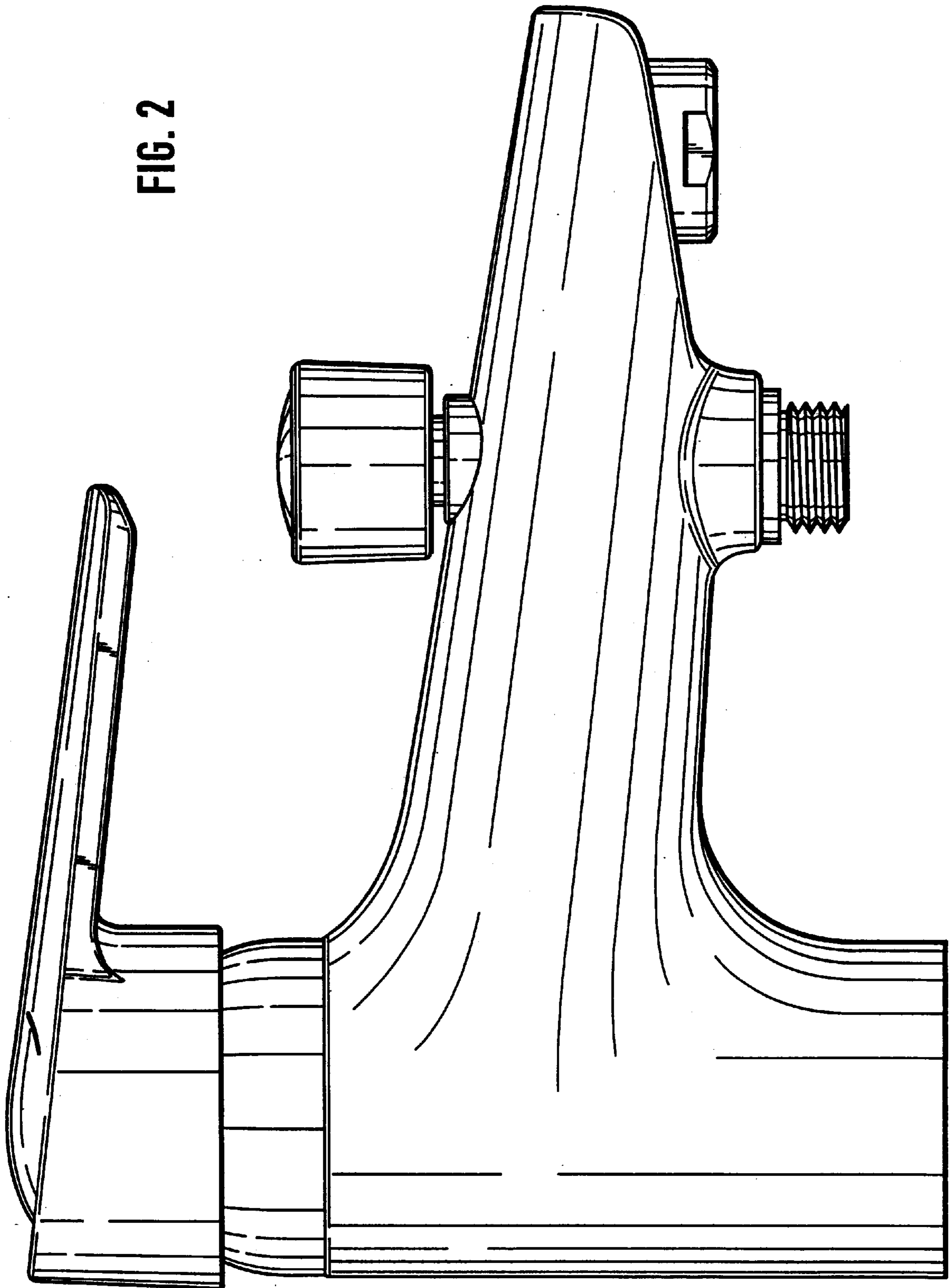


FIG. 2



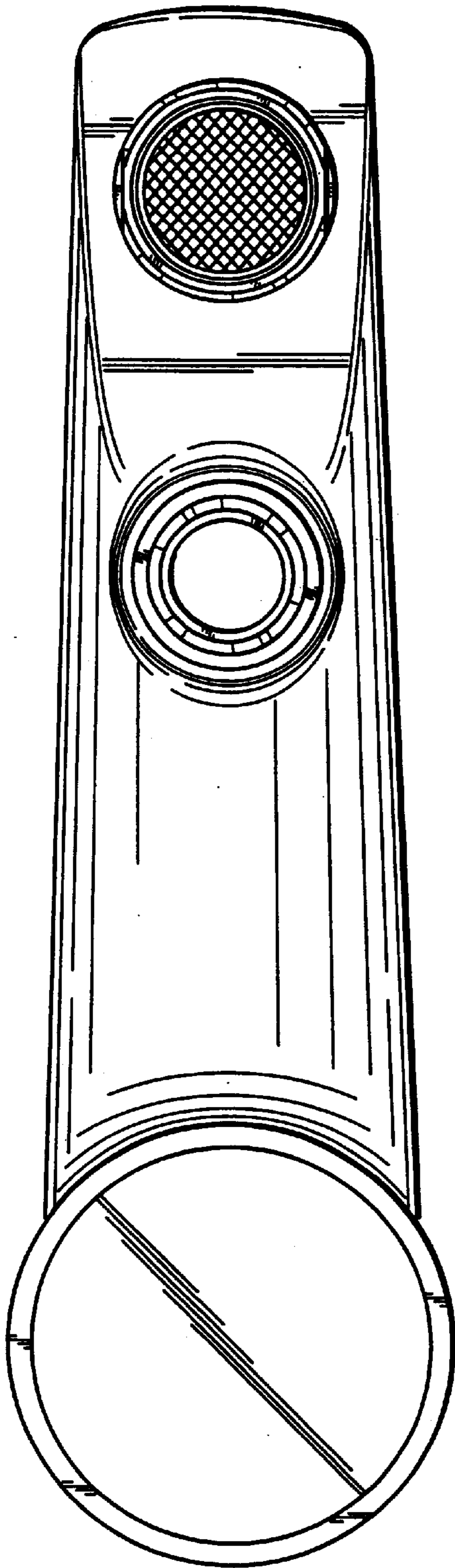


FIG. 3

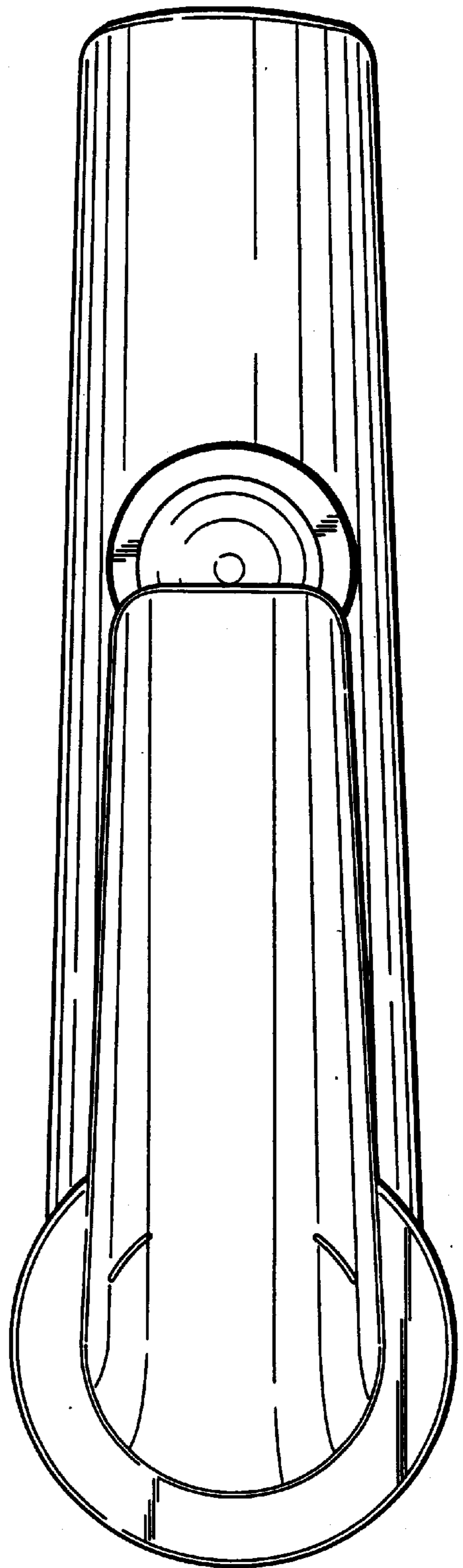


FIG. 4

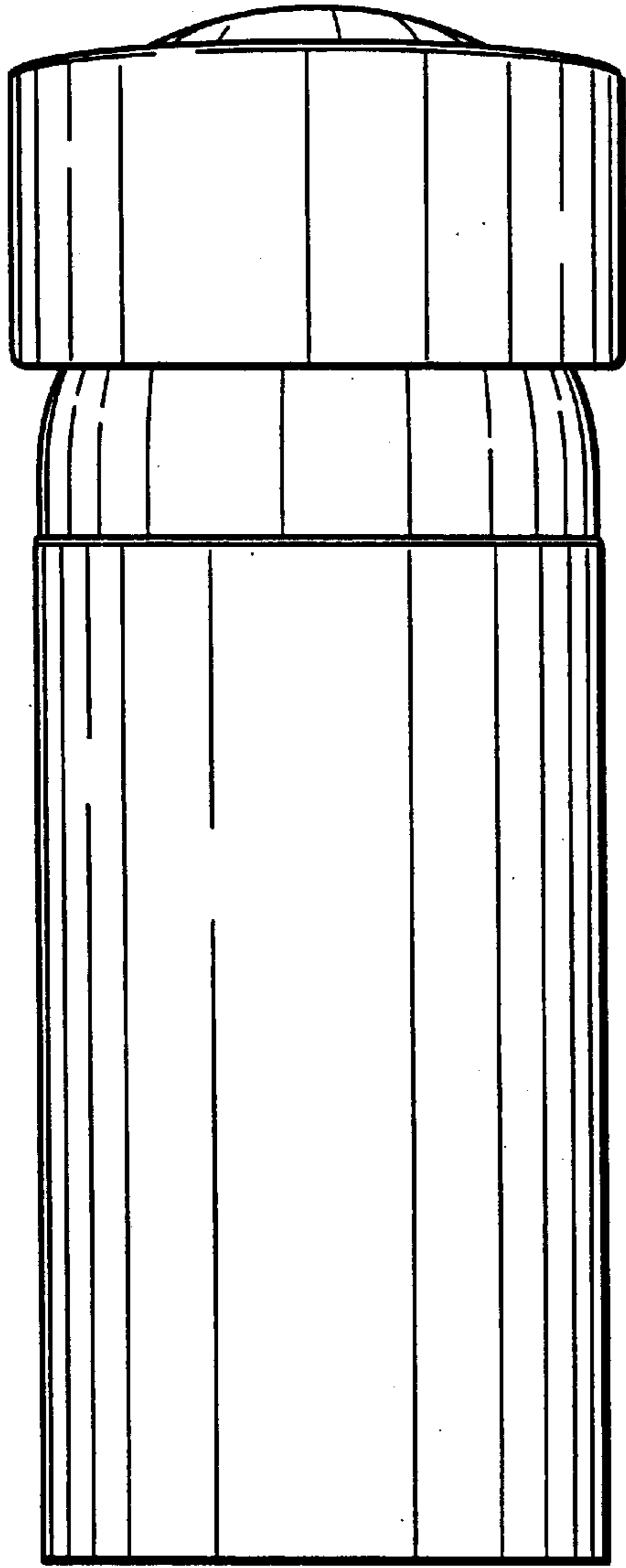


FIG. 5

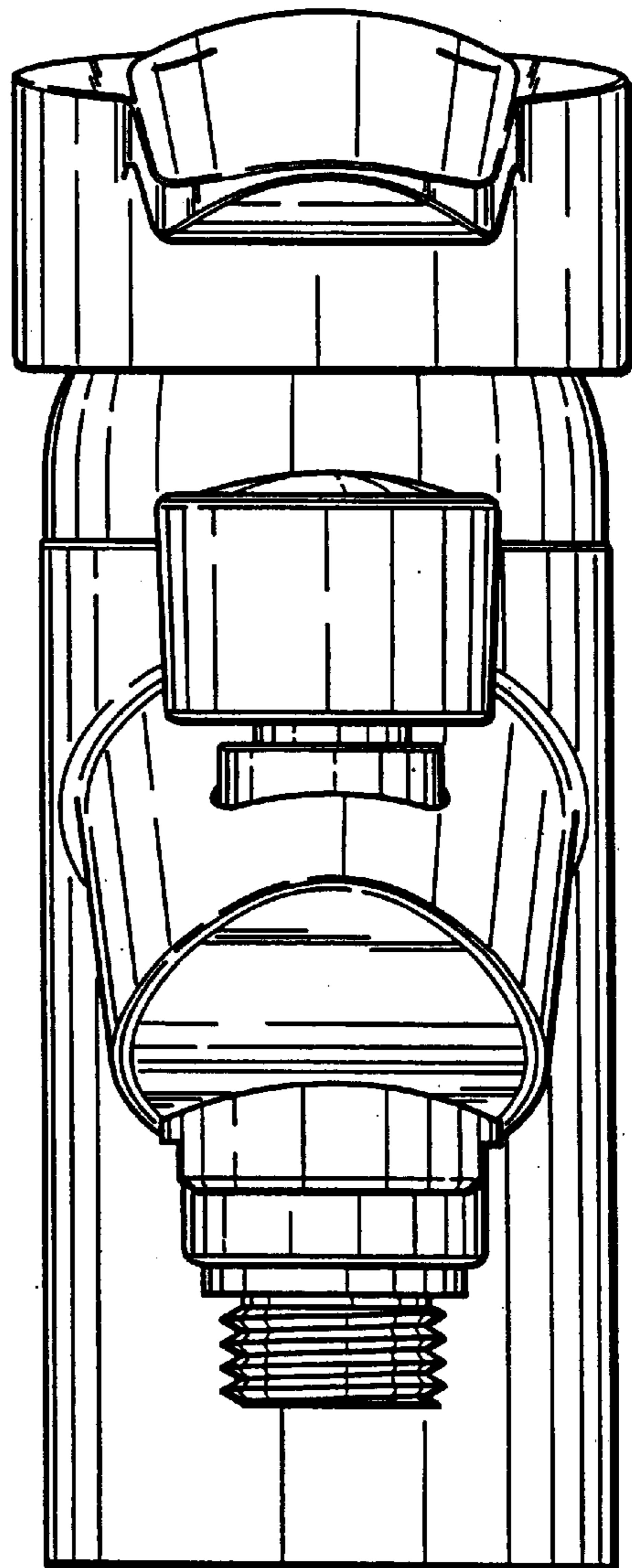


FIG. 6