



US00D447215B1

(12) **United States Design Patent**
Ben-Tsur

(10) **Patent No.:** **US D447,215 S**

(45) **Date of Patent:** **** Aug. 28, 2001**

(54) **HAND HELD SHOWERHEAD**

(75) **Inventor:** **Gilad Ben-Tsur, Gan-Ner (IL)**

(73) **Assignee:** **Alsons Corporation, Hillsdale, MI (US)**

(**) **Term:** **14 Years**

(21) **Appl. No.:** **29/118,707**

(22) **Filed:** **Feb. 14, 2000**

(51) **LOC (7) Cl.** **23-01**

(52) **U.S. Cl.** **D23/223**

(58) **Field of Search** D23/213, 223,
D23/226, 229-230; 239/394, 525-528,
461-2

(56) **References Cited**

U.S. PATENT DOCUMENTS

D. 369,205 * 4/1996 Andrus D23/223

D. 389,558 * 1/1998 Andrus D23/223

D. 418,200 * 12/1999 Ben-Tsur D23/223

* cited by examiner

Primary Examiner—Robin V. Taylor

(74) *Attorney, Agent, or Firm*—Myron B. Kapustij; Lloyd D. Doigan

(57) **CLAIM**

The ornamental design for a hand held showerhead, as shown and described.

DESCRIPTION

FIG. 1 is a front perspective view of a hand held showerhead showing my new design;

FIG. 2 is a front elevational view thereof;

FIG. 3 is a top plan view thereof;

FIG. 4 is a left side elevational view thereof;

FIG. 5 is a bottom plan view thereof;

FIG. 6 is a right side elevational view thereof; and,

FIG. 7 is a rear elevational view thereof.

1 Claim, 4 Drawing Sheets



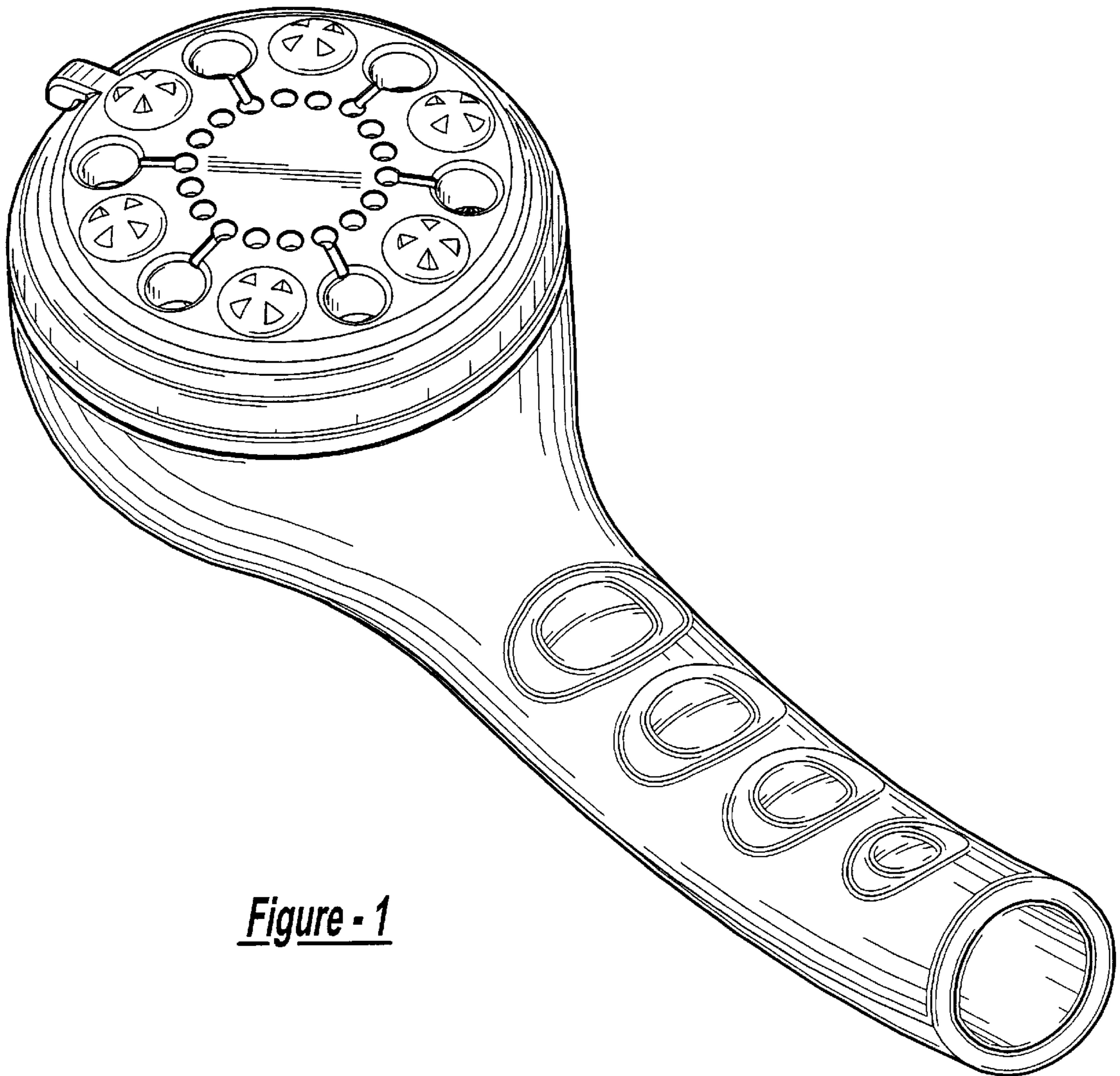


Figure - 1

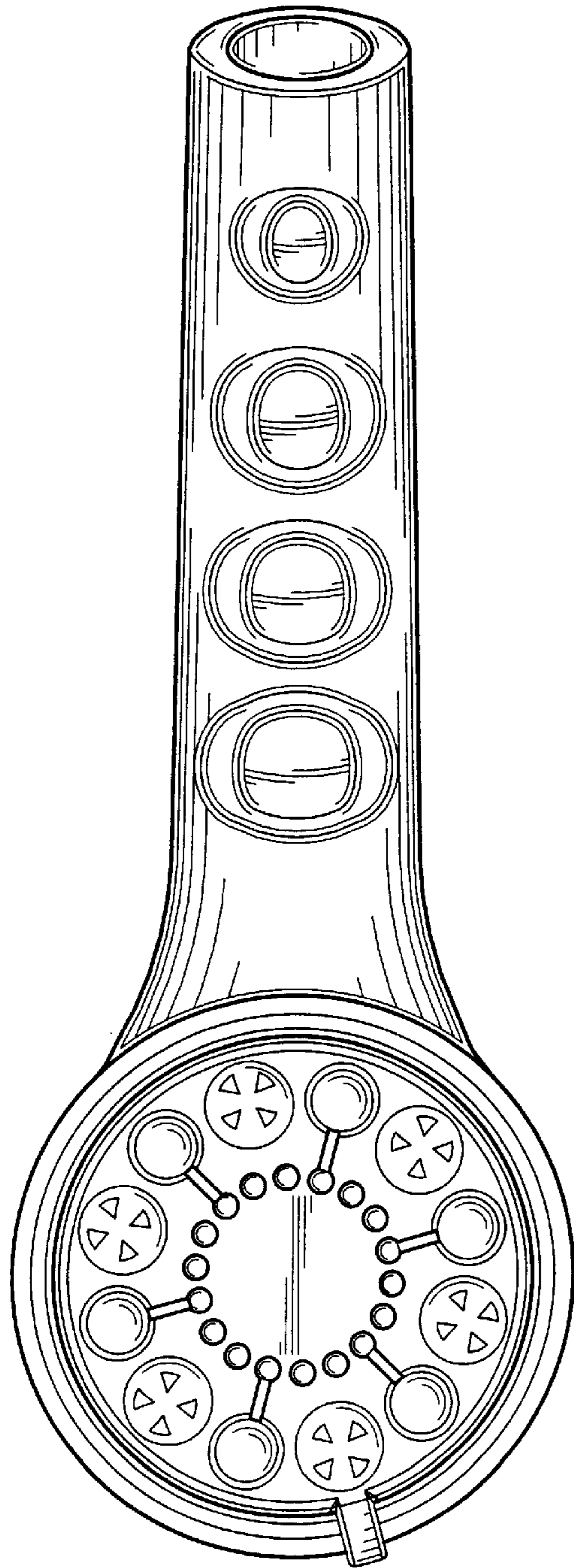


Figure - 2

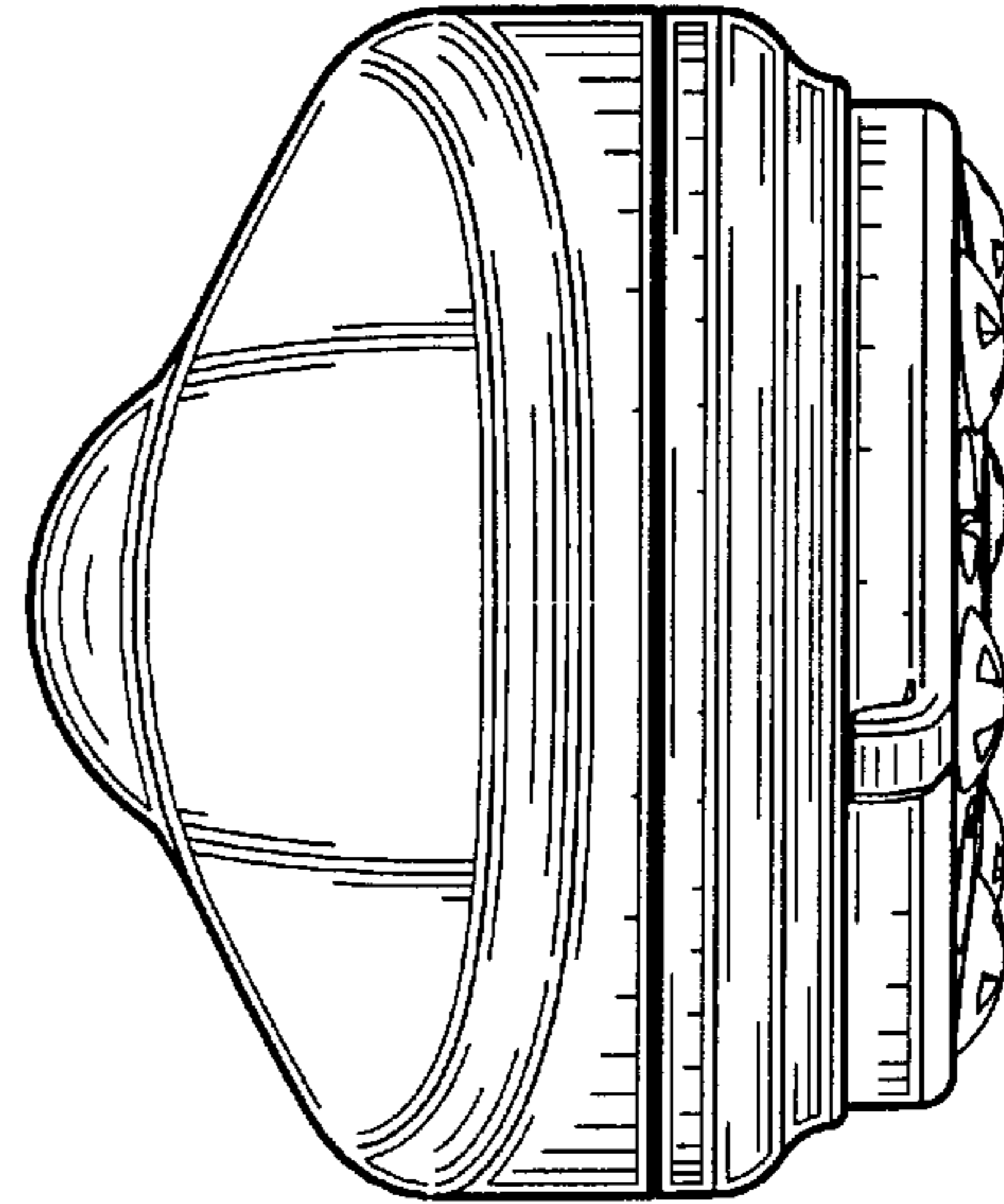


Figure - 3

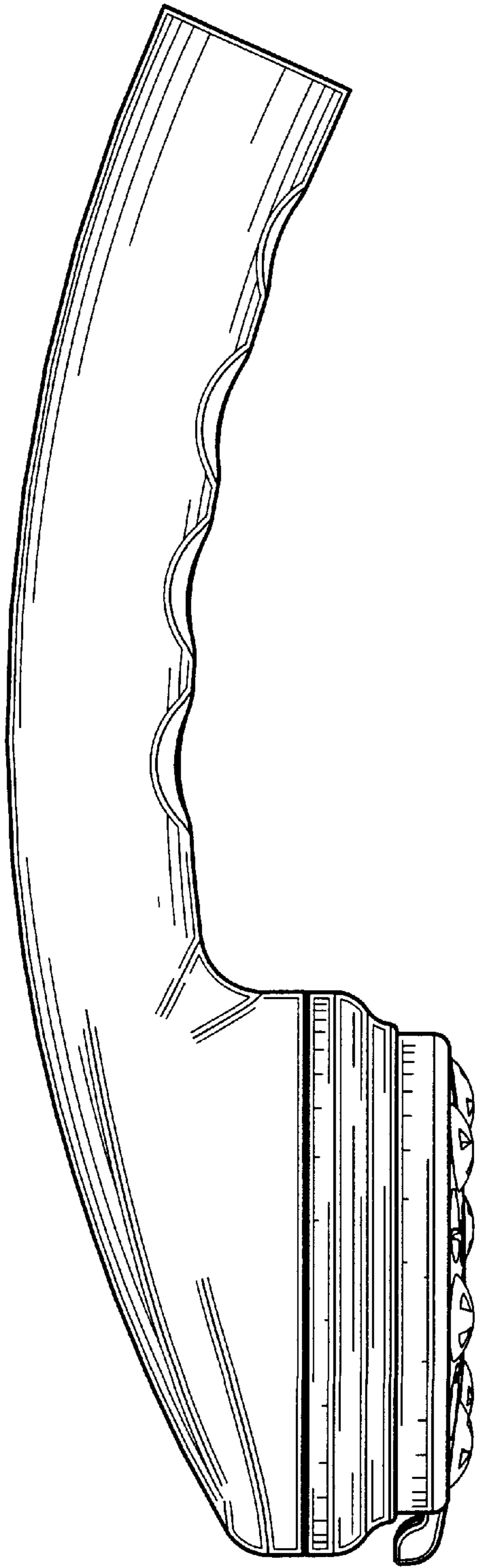


Figure - 4

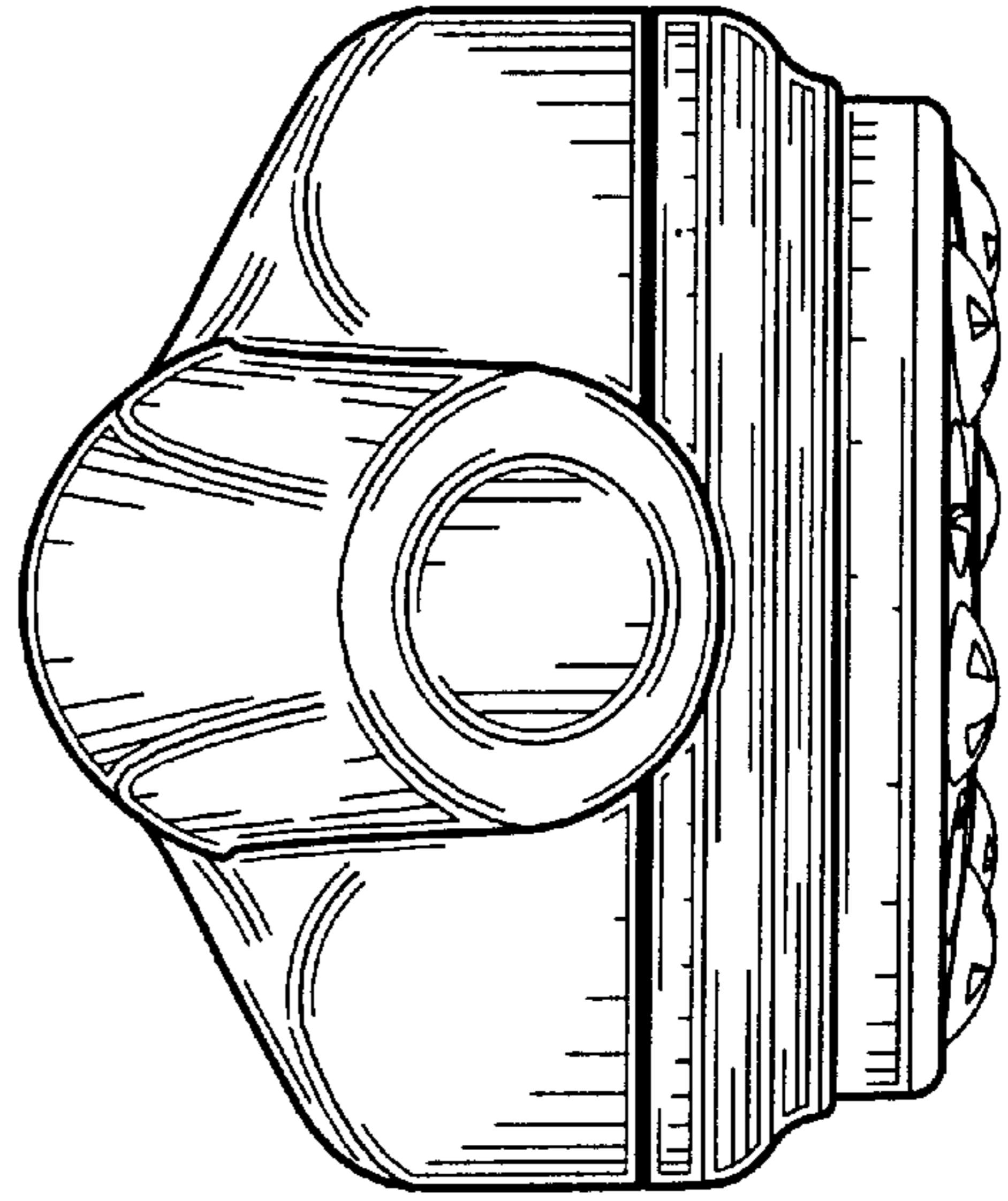


Figure - 5

Figure - 6

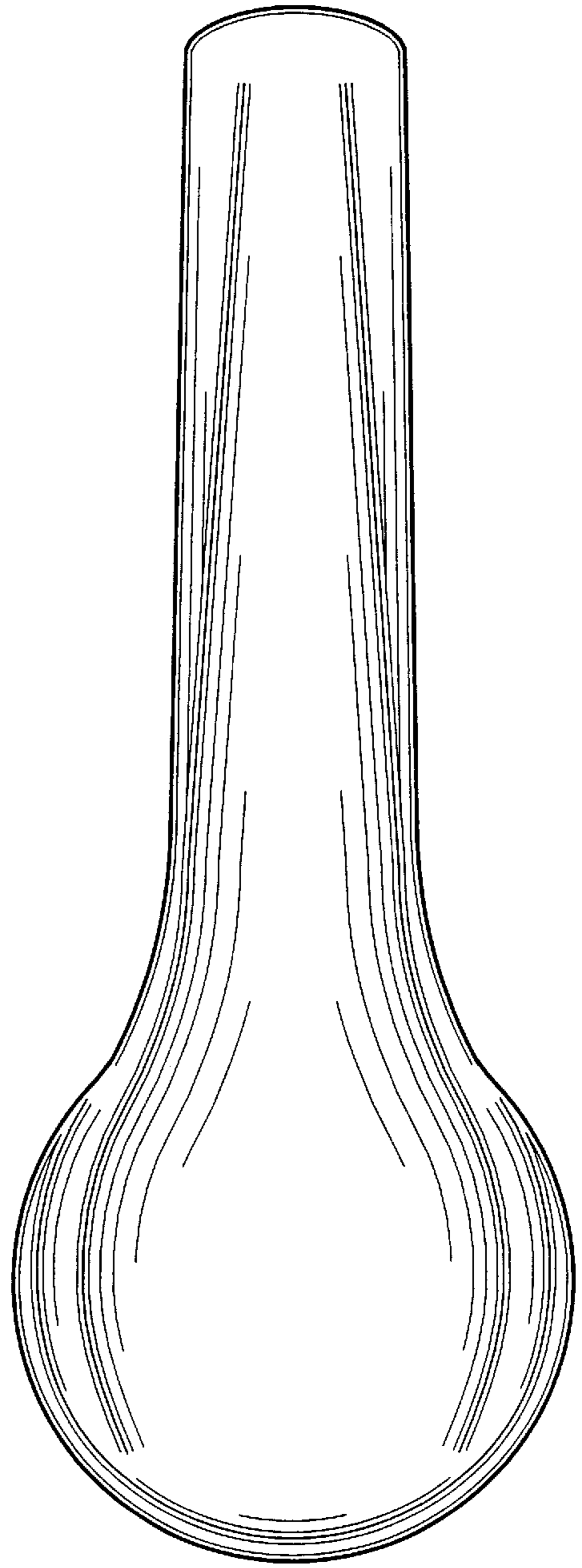
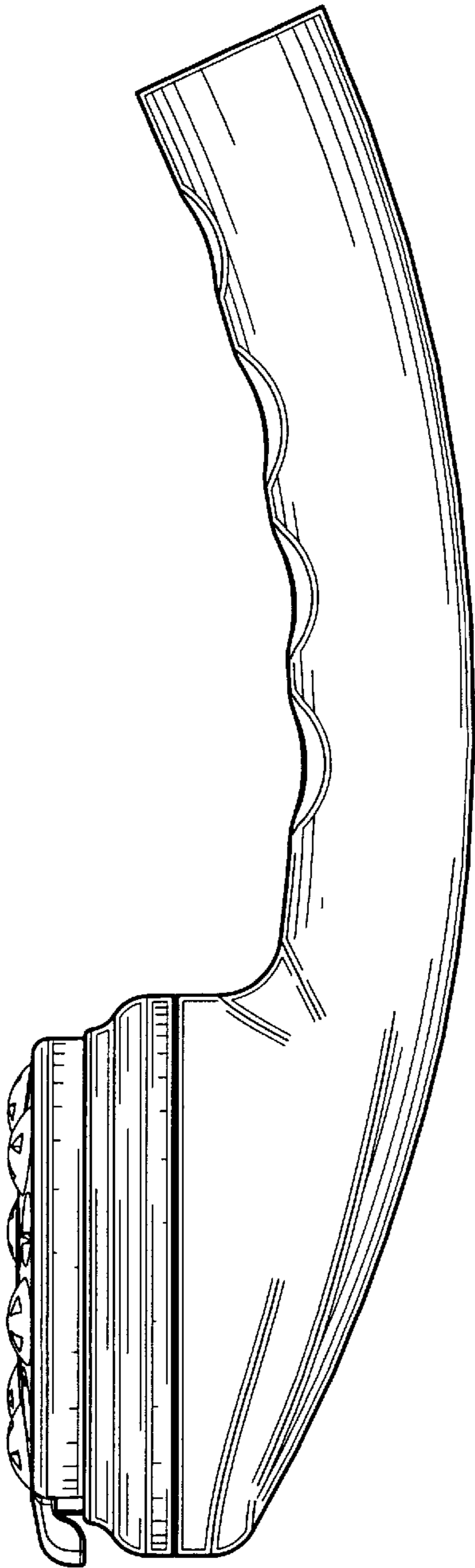


Figure - 7