



US00D447214B1

(12) **United States Design Patent**
Taylor

(10) **Patent No.:** **US D447,214 S**

(45) **Date of Patent:** **** Aug. 28, 2001**

(54) **BODY SPRAY**

(75) Inventor: **Curtis Taylor**, Moreland Hills, OH
(US)

(73) Assignee: **Alsons Corporation**, Hillsdale, MI
(US)

(**) Term: **14 Years**

(21) Appl. No.: **29/130,623**

(22) Filed: **Oct. 5, 2000**

(51) **LOC (7) Cl.** **23-01**

(52) **U.S. Cl.** **D23/213; D23/229**

(58) **Field of Search** D23/213, 214,
D23/223, 229-230; 239/394, 462, 459

(56) **References Cited**

U.S. PATENT DOCUMENTS

- D. 231,928 * 6/1974 Nelson D23/213
- D. 261,417 * 10/1981 Klose D23/229
- D. 334,046 * 3/1993 Klose D23/213
- D. 351,212 * 10/1994 Warshawsky D23/213
- D. 421,661 * 7/2000 Haverstraw et al. D23/229

D. 436,394 * 1/2001 Fleischmann D23/213

* cited by examiner

Primary Examiner—Robin V. Taylor

(74) *Attorney, Agent, or Firm*—Myron B. Kapustij; Lloyd
D. Doigan

(57) **CLAIM**

The ornamental design for a body spray, as shown and described.

DESCRIPTION

FIG. 1 is a front perspective view of the body spray showing my new design;

FIG. 2 is a rear elevational view thereof;

FIG. 3 is a front elevational view thereof;

FIG. 4 is a bottom plan view thereof;

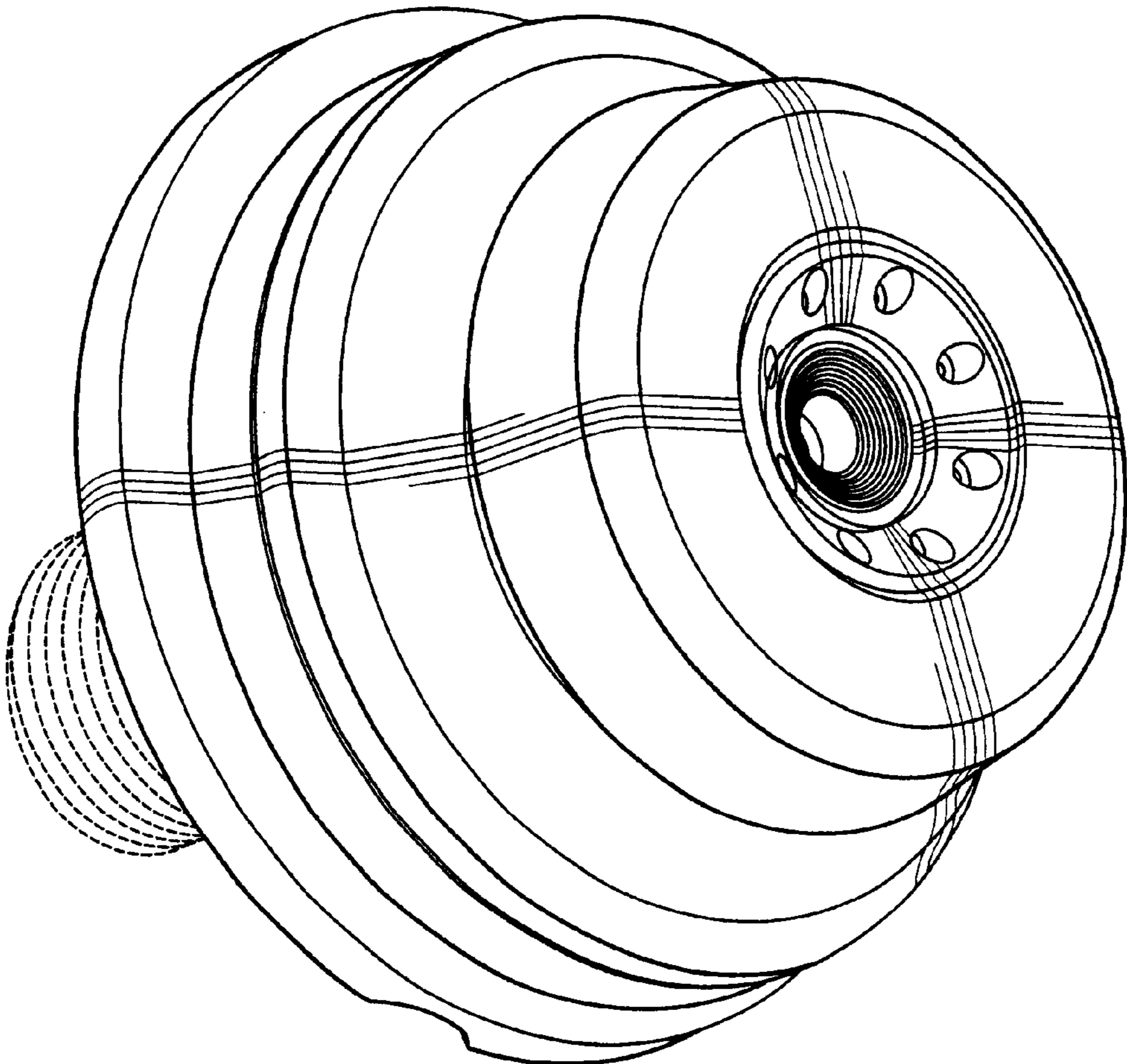
FIG. 5 is a top plan view thereof;

FIG. 6 is a left side elevational view thereof; and,

FIG. 7 is a right side elevational view thereof.

The broken line showing of the threaded connector in FIG. 1 is for purposes of illustration only and forms no part of the claimed design.

1 Claim, 3 Drawing Sheets



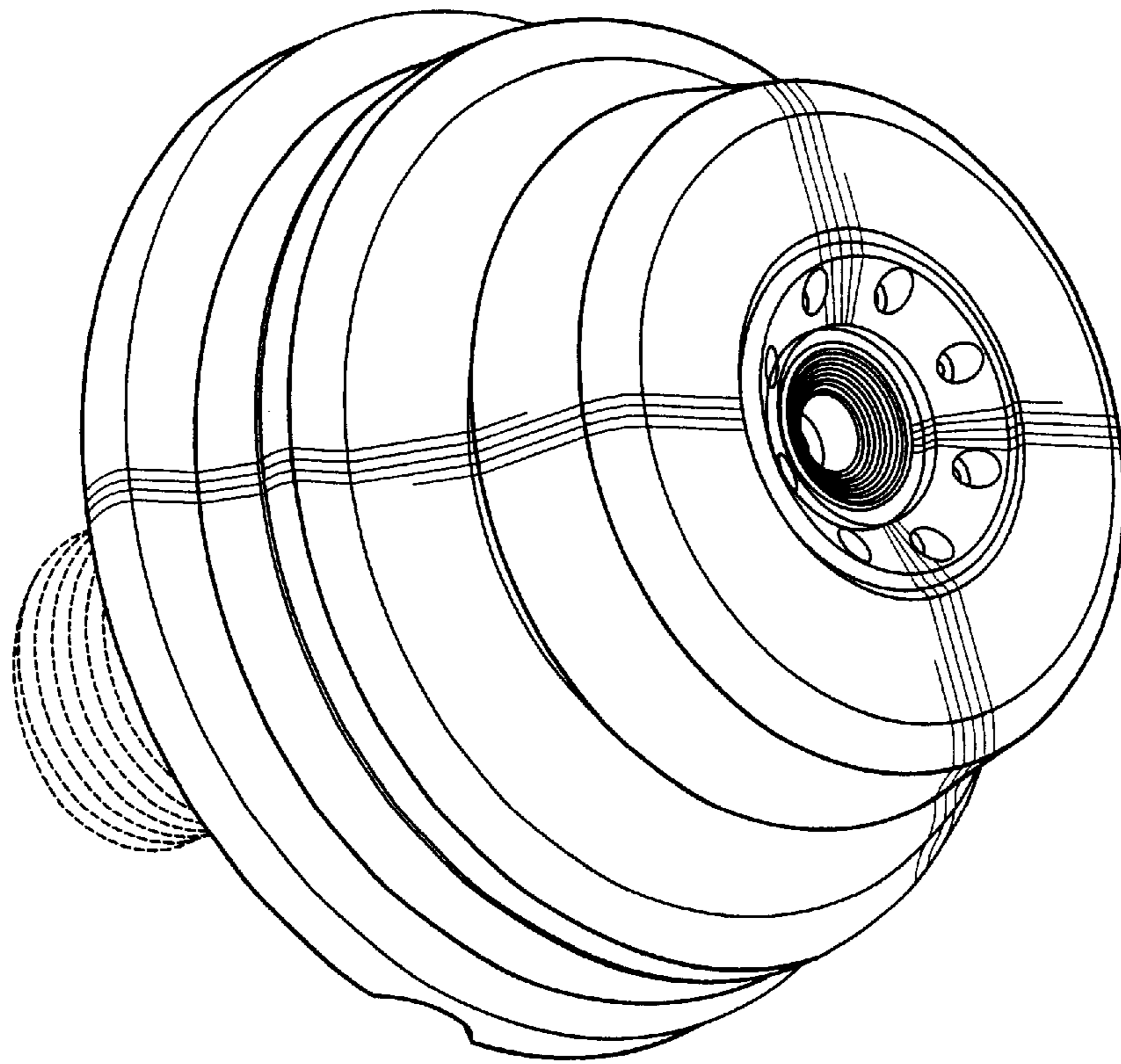


Fig-1

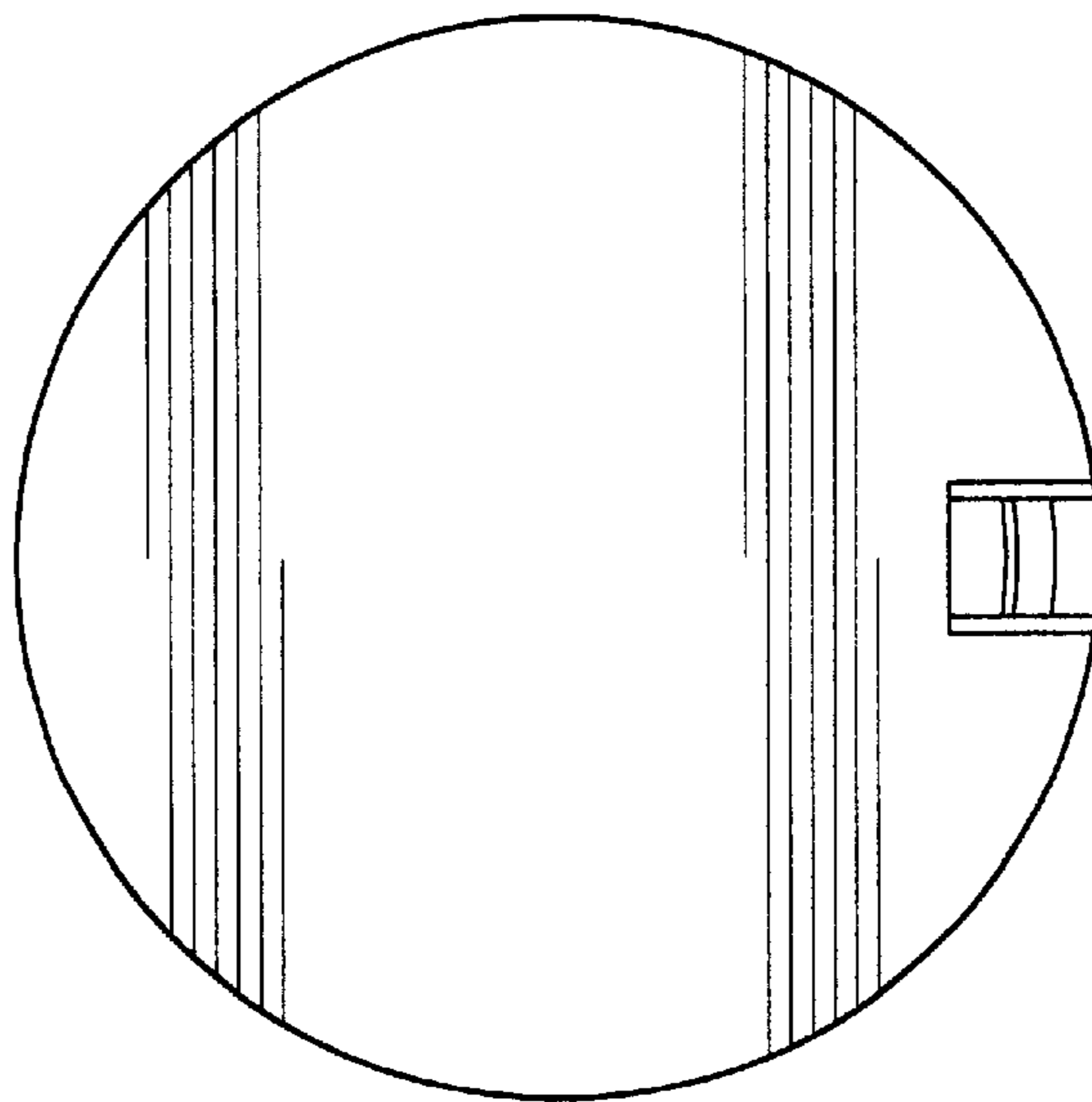


Fig-2

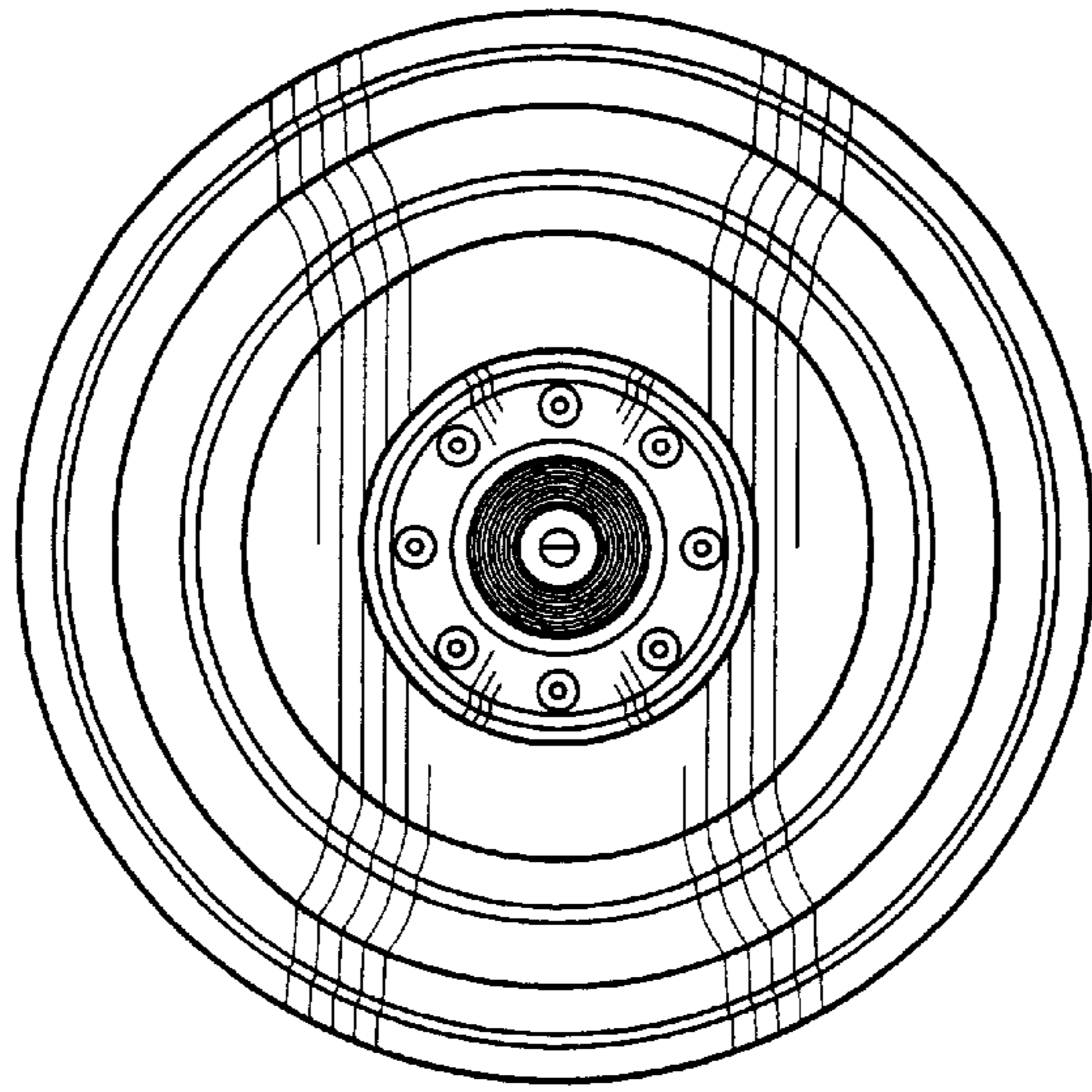


Fig-3

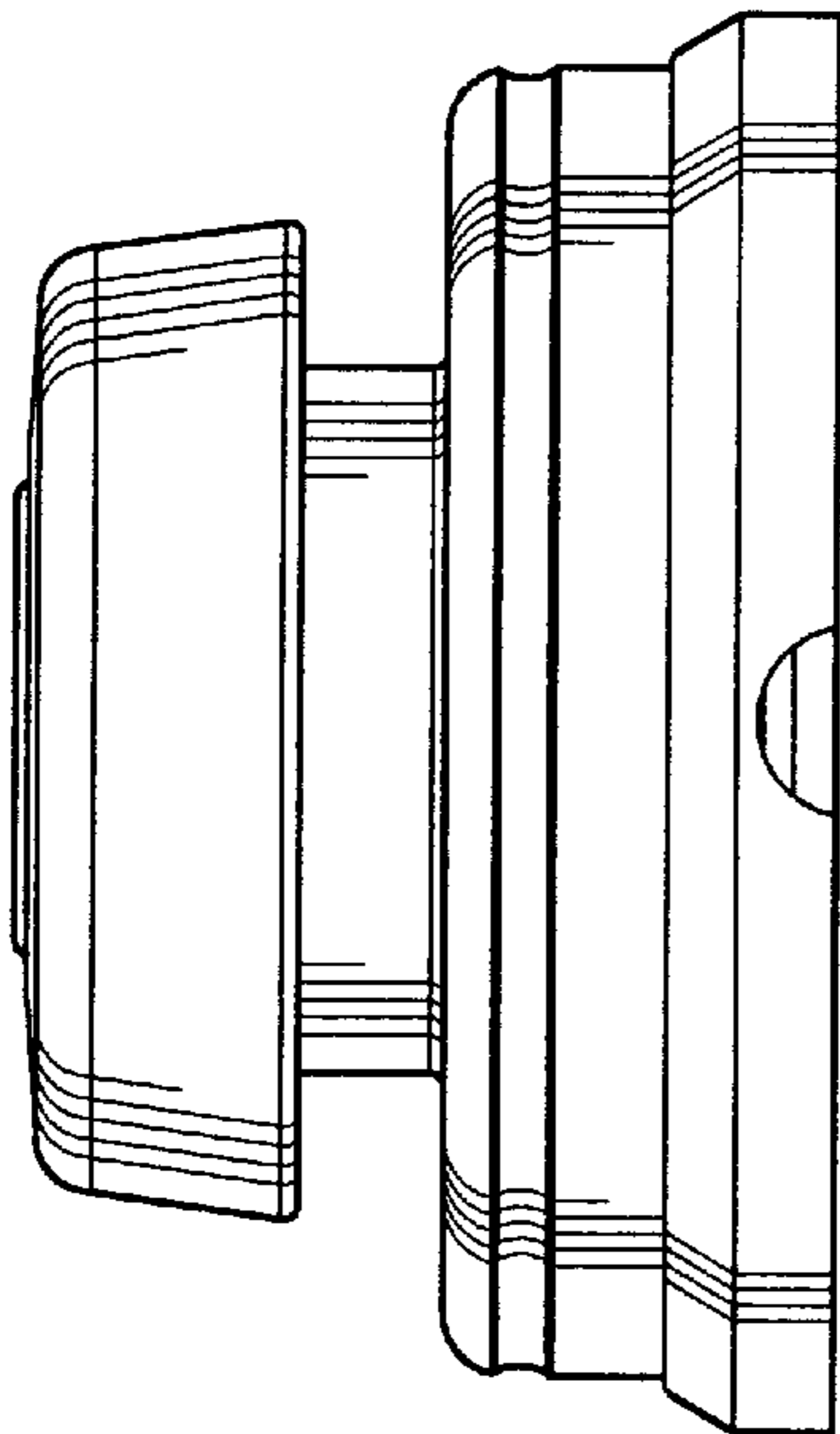


Fig-4

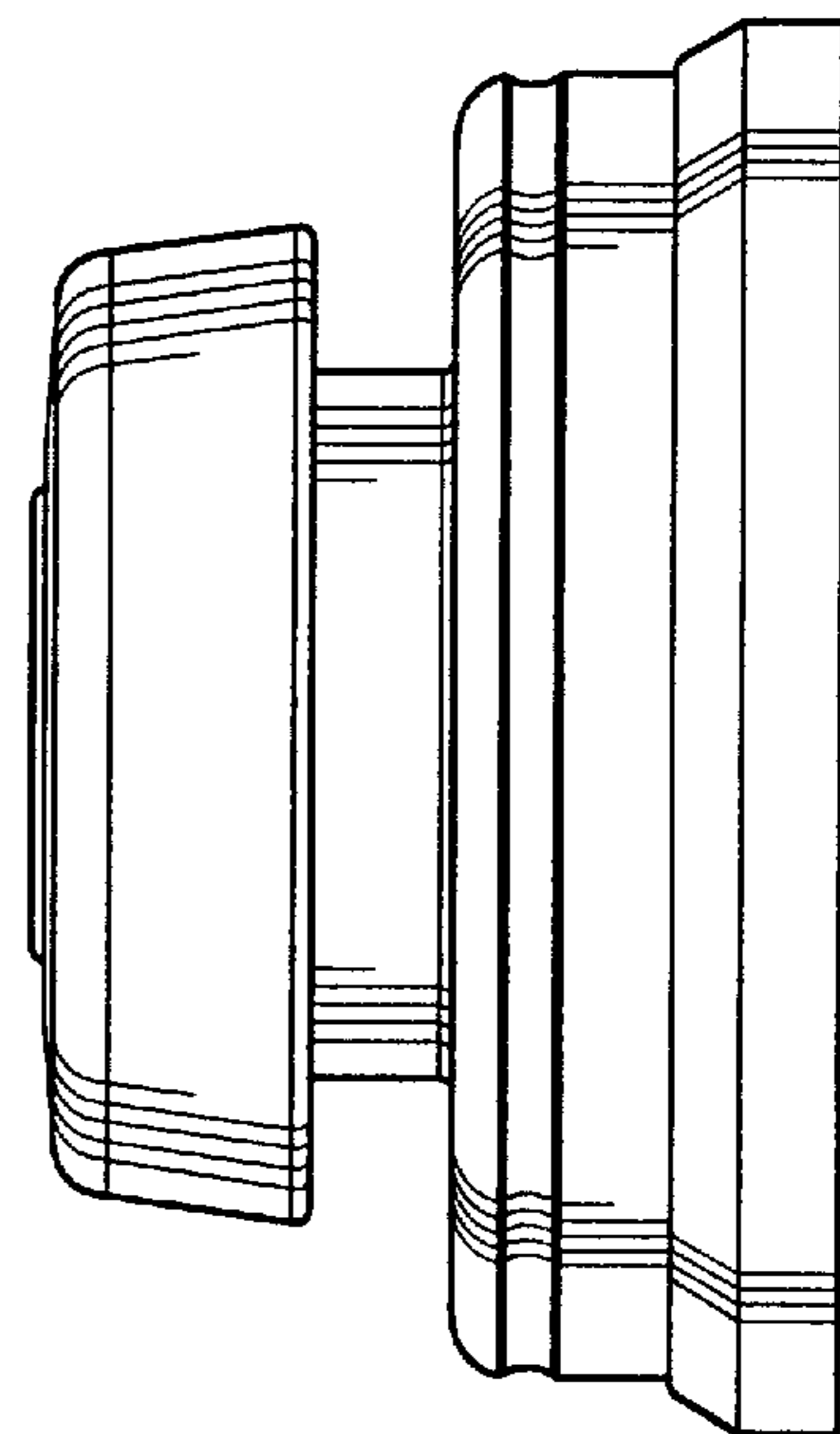


Fig-5

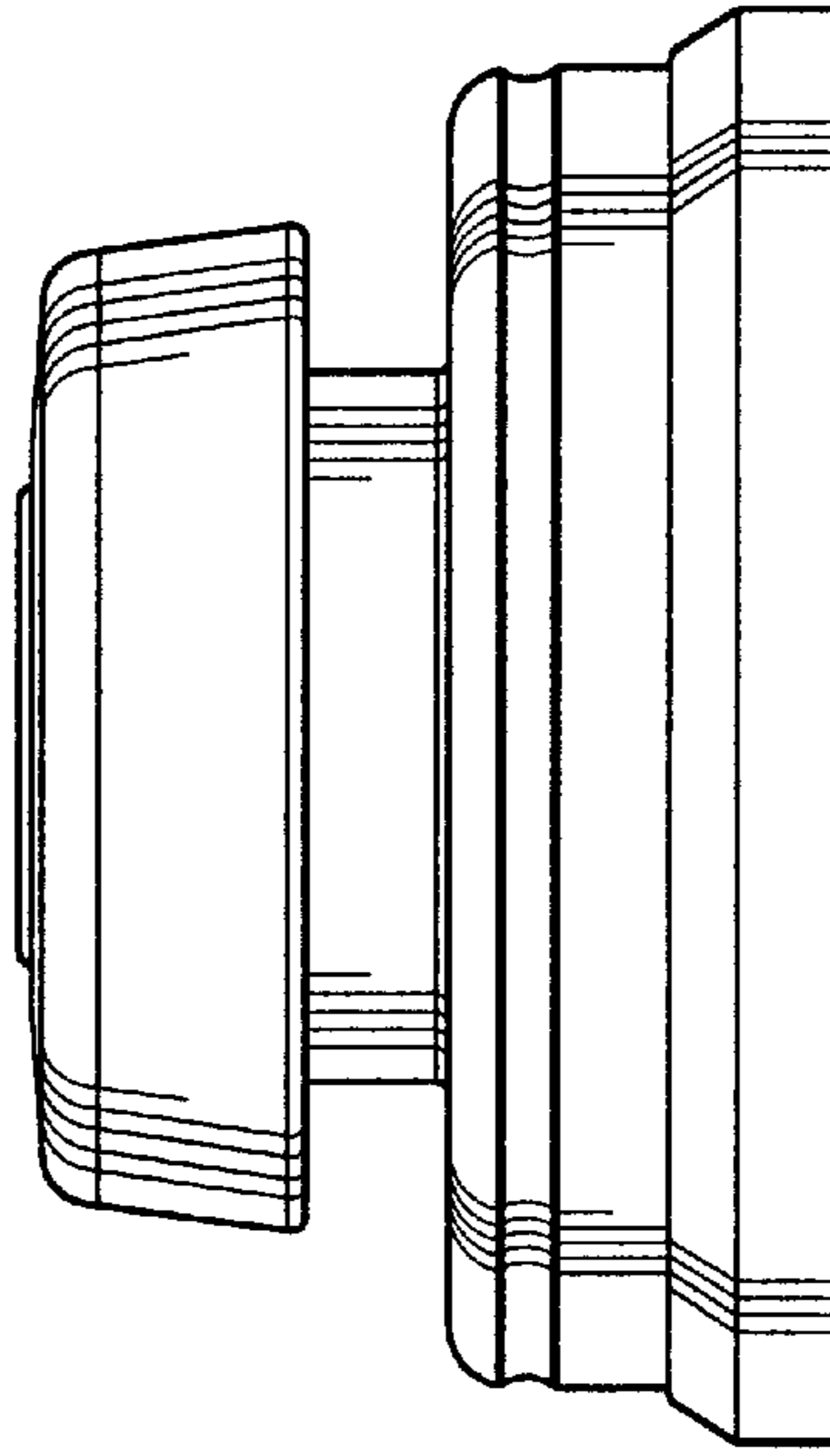


Fig-6

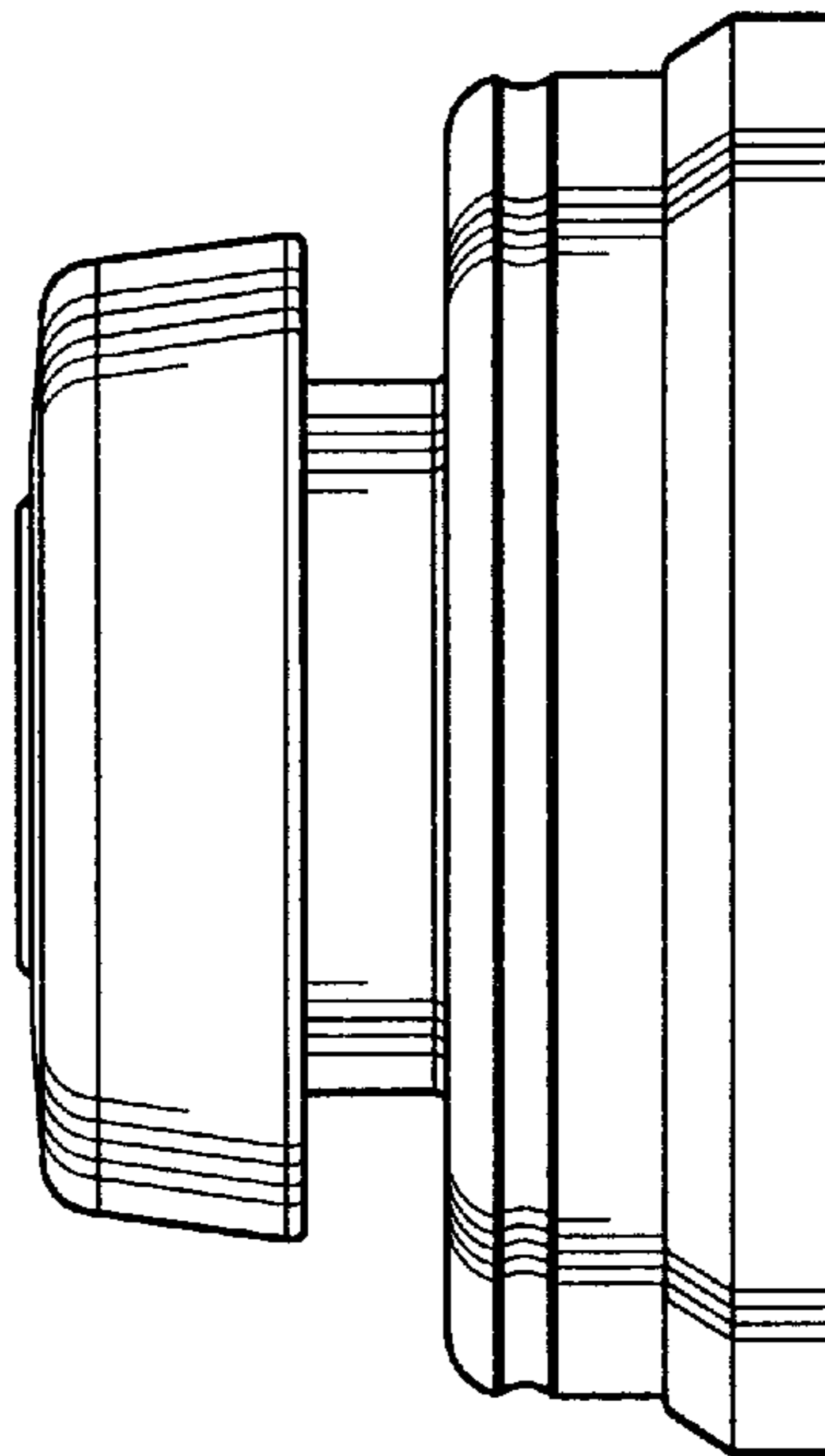


Fig-7