



US00D447212B1

(12) **United States Design Patent**
Herring

(10) **Patent No.:** **US D447,212 S**

(45) **Date of Patent:** **** *Aug. 28, 2001**

(54) **BAIT BOTTLE**

(76) **Inventor:** **Henry B. Herring**, 8513 W. Main St.,
Mapleton, IL (US) 61547

(*) **Notice:** This patent is subject to a terminal disclaimer.

(**) **Term:** **14 Years**

(21) **Appl. No.:** **29/107,524**

(22) **Filed:** **Jul. 7, 1999**

(51) **LOC (7) Cl.** **22-05**

(52) **U.S. Cl.** **D22/136**

(58) **Field of Search** D22/136, 199;
43/54.1, 55, 56; D3/206, 207, 229, 276,
291, 316

(56) **References Cited**

U.S. PATENT DOCUMENTS

- D. 331,445 * 12/1992 Christian et al. D22/136
- D. 345,779 * 4/1994 Baggett et al. D22/136
- D. 348,566 * 7/1994 Neikirk D3/291

- D. 399,912 * 10/1998 Kopp, III D22/134
- 4,920,683 * 5/1990 Weber D22/136
- 5,561,939 * 10/1996 Wik D22/199

* cited by examiner

Primary Examiner—Louis S. Zarfaz

Assistant Examiner—Inga-Maria Hyttinen

(74) *Attorney, Agent, or Firm*—James Ray & Associates

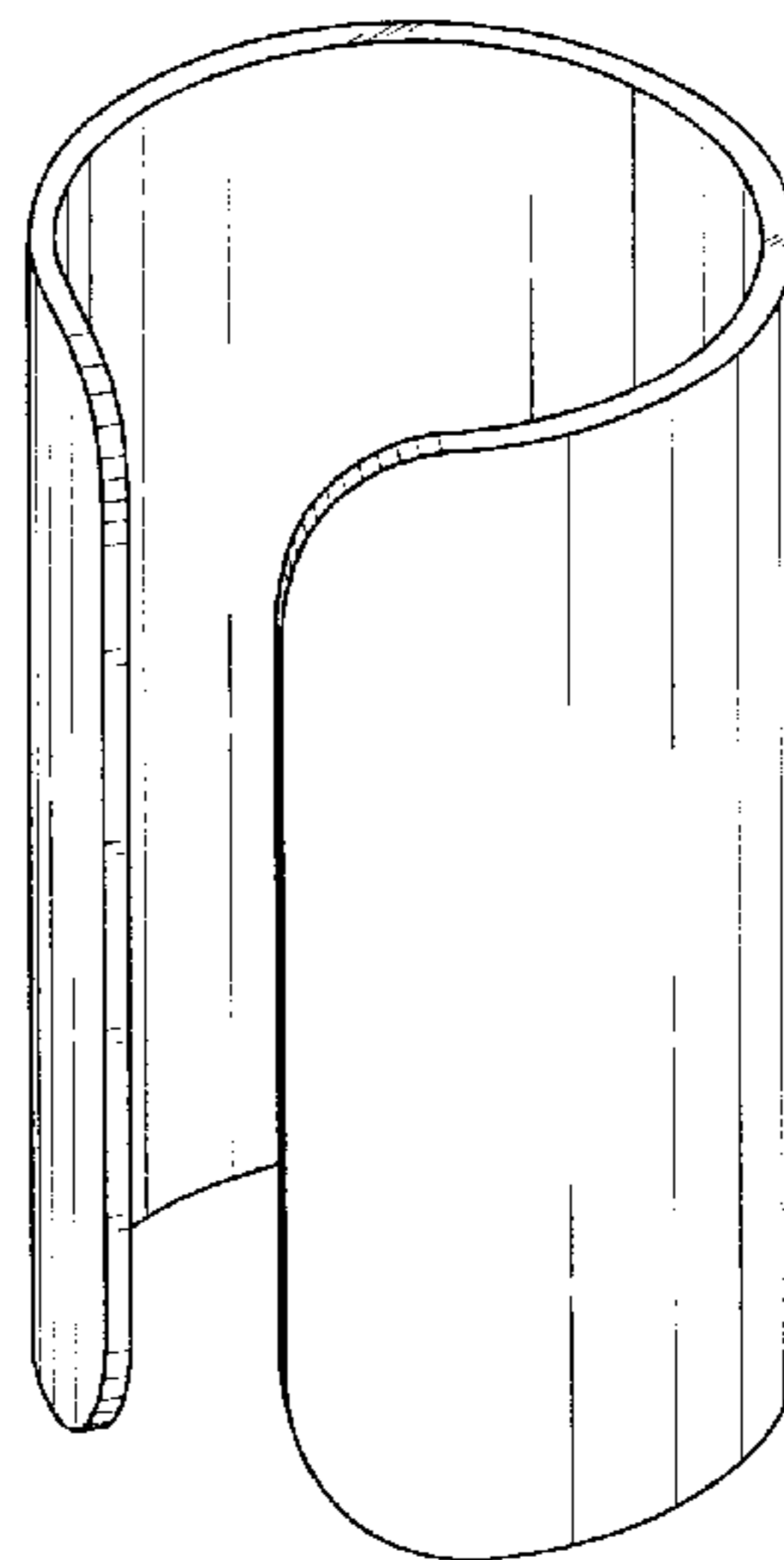
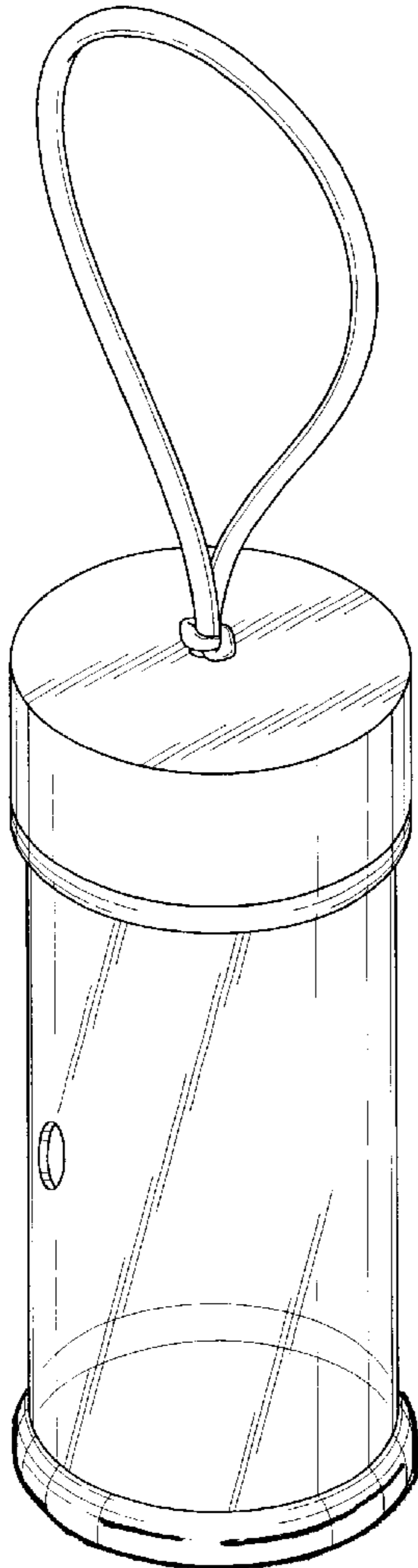
(57) **CLAIM**

The ornamental design for a bait bottle, as shown and described.

DESCRIPTION

FIG. 1 is an exploded axonometric view of the bait bottle. FIG. 2 is an exploded front elevation view of the bait bottle. FIG. 3 is an exploded back elevation view of the bait bottle. FIG. 4 is an exploded right side view of the bait bottle. FIG. 5 is an exploded left side view of the bait bottle, side opposite to that of FIG. 4. FIG. 6 is an exploded top view of the bait bottle; and, FIG. 7 is an exploded bottom view of the bait bottle.

1 Claim, 7 Drawing Sheets



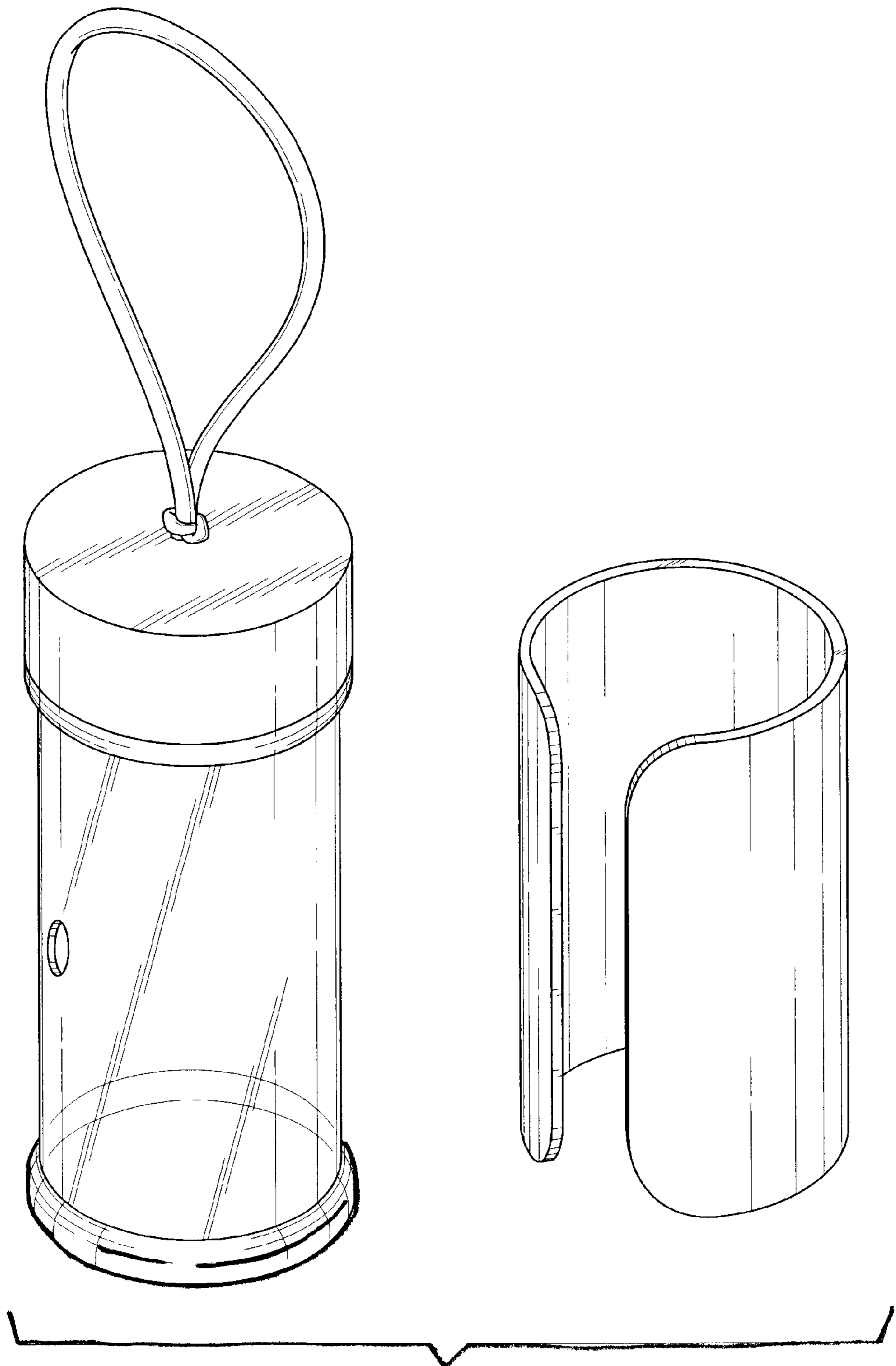


Fig. 1

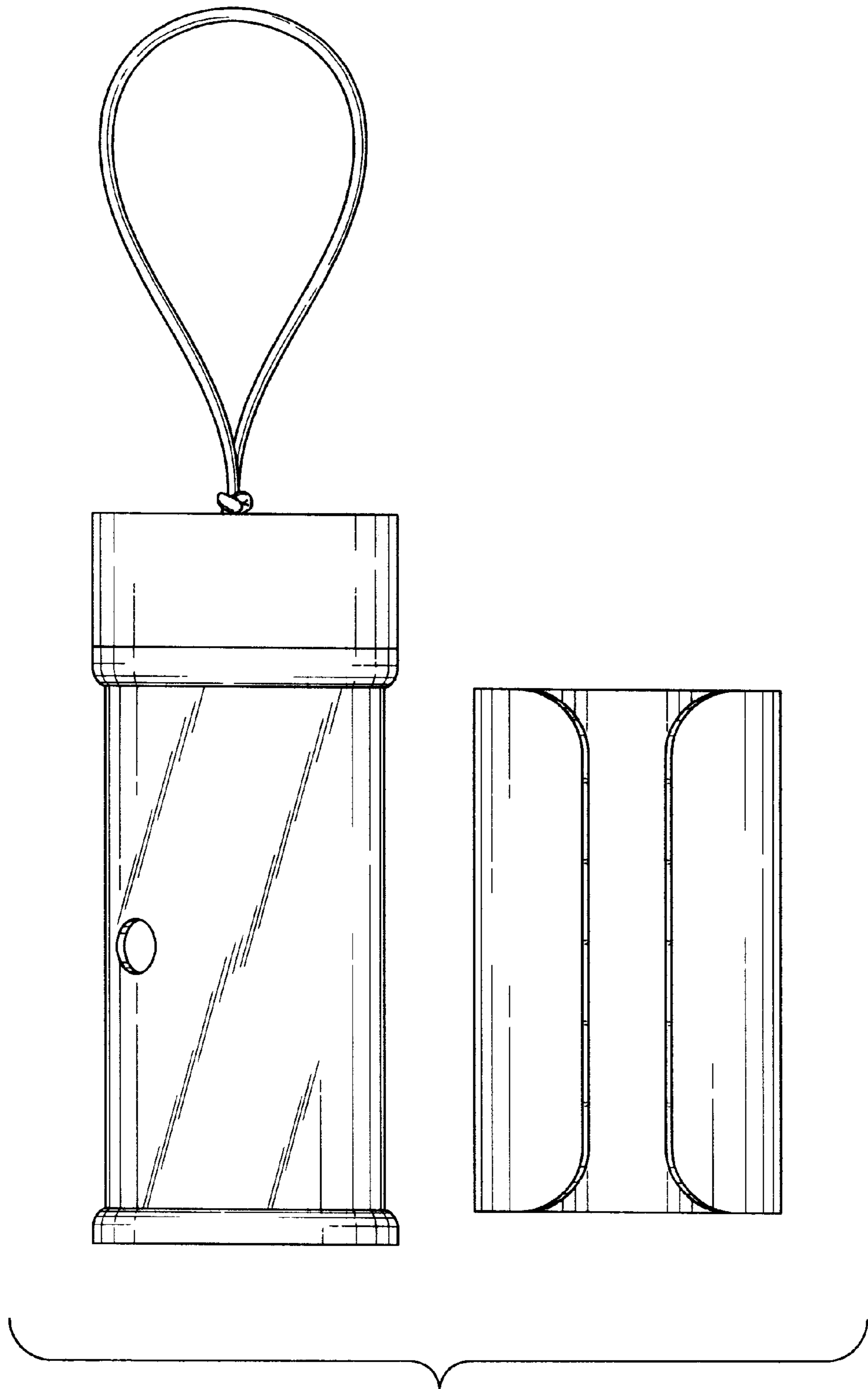


FIG. 2

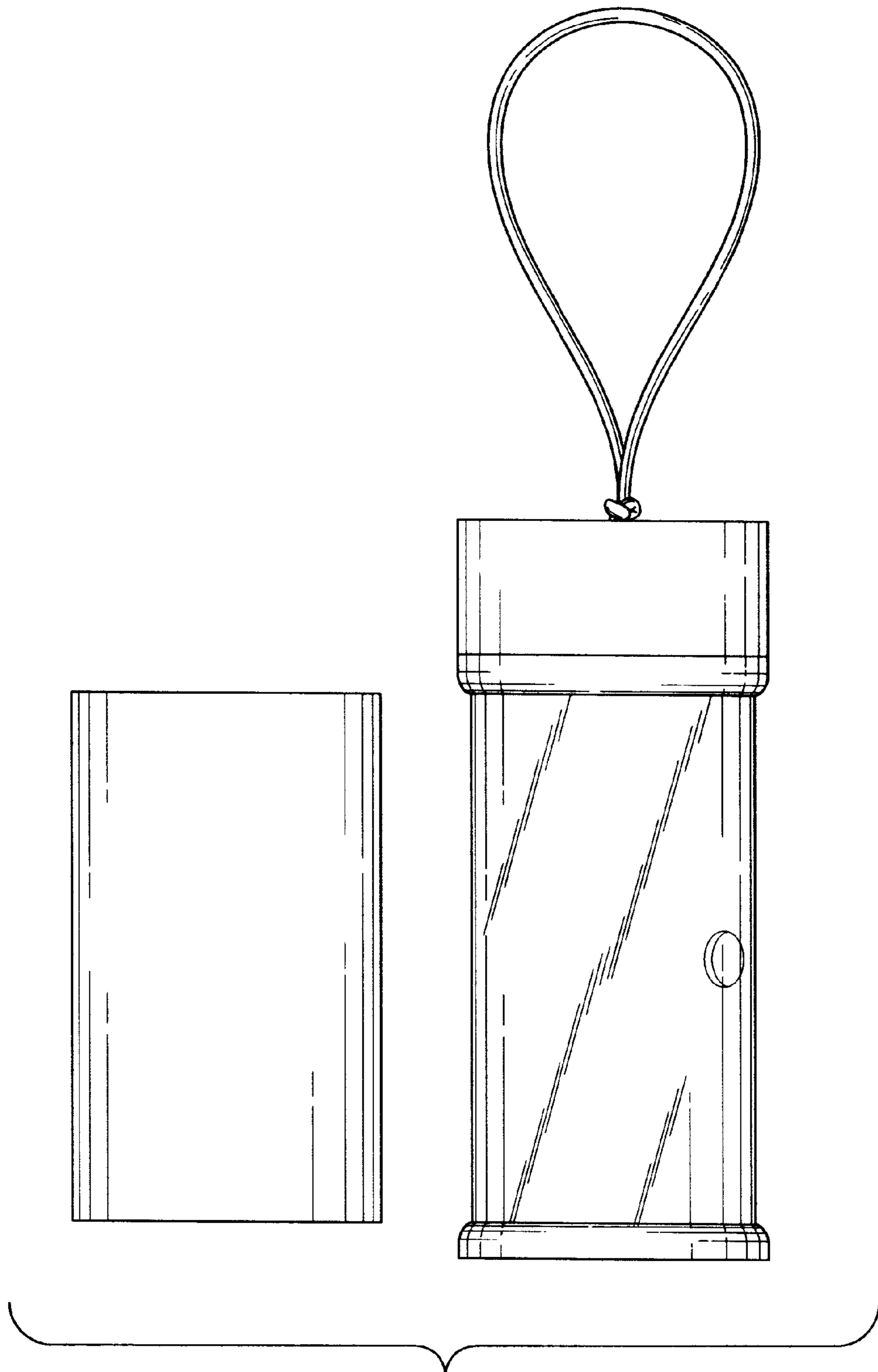


FIG. 3

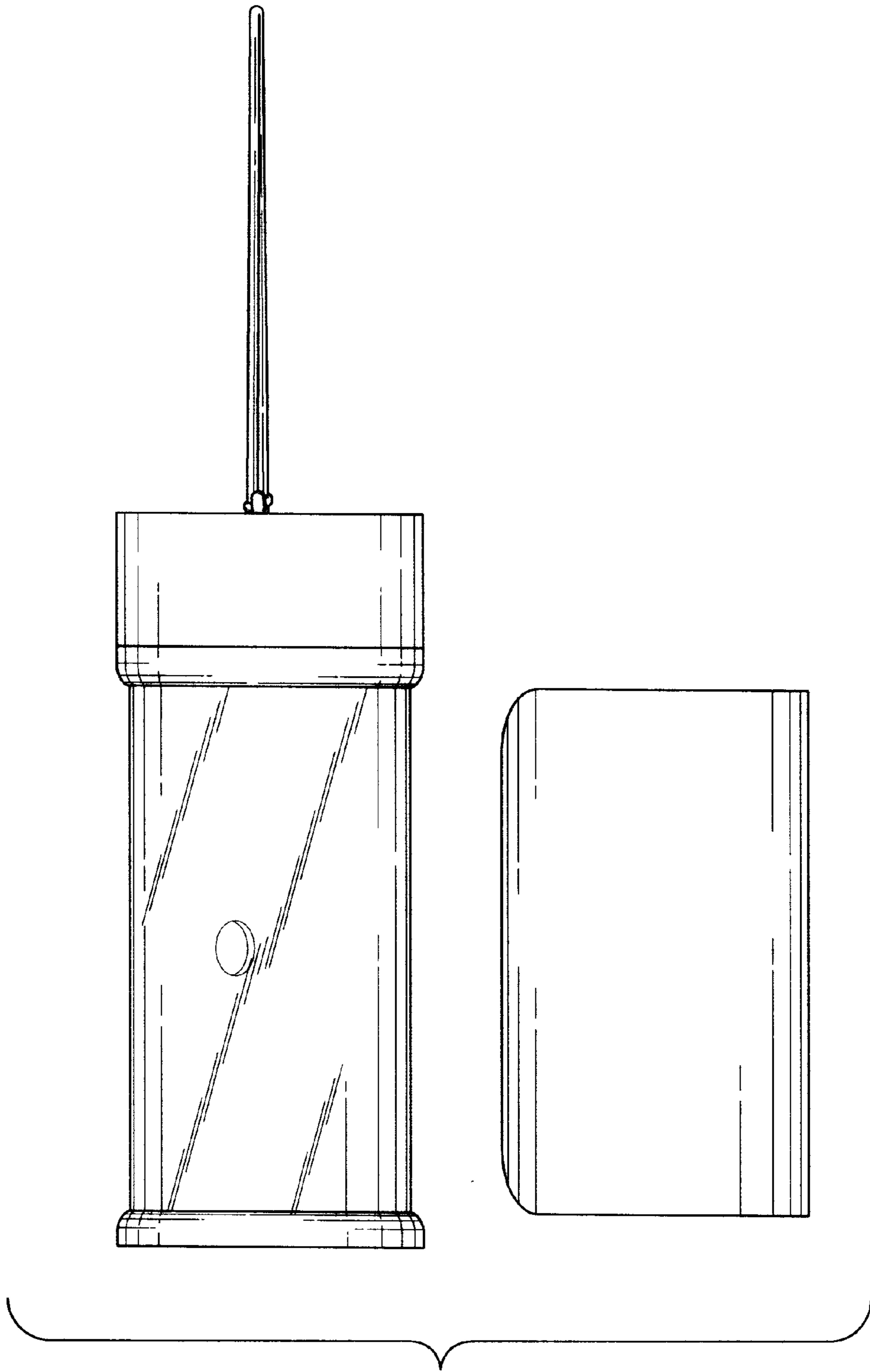


FIG. 4

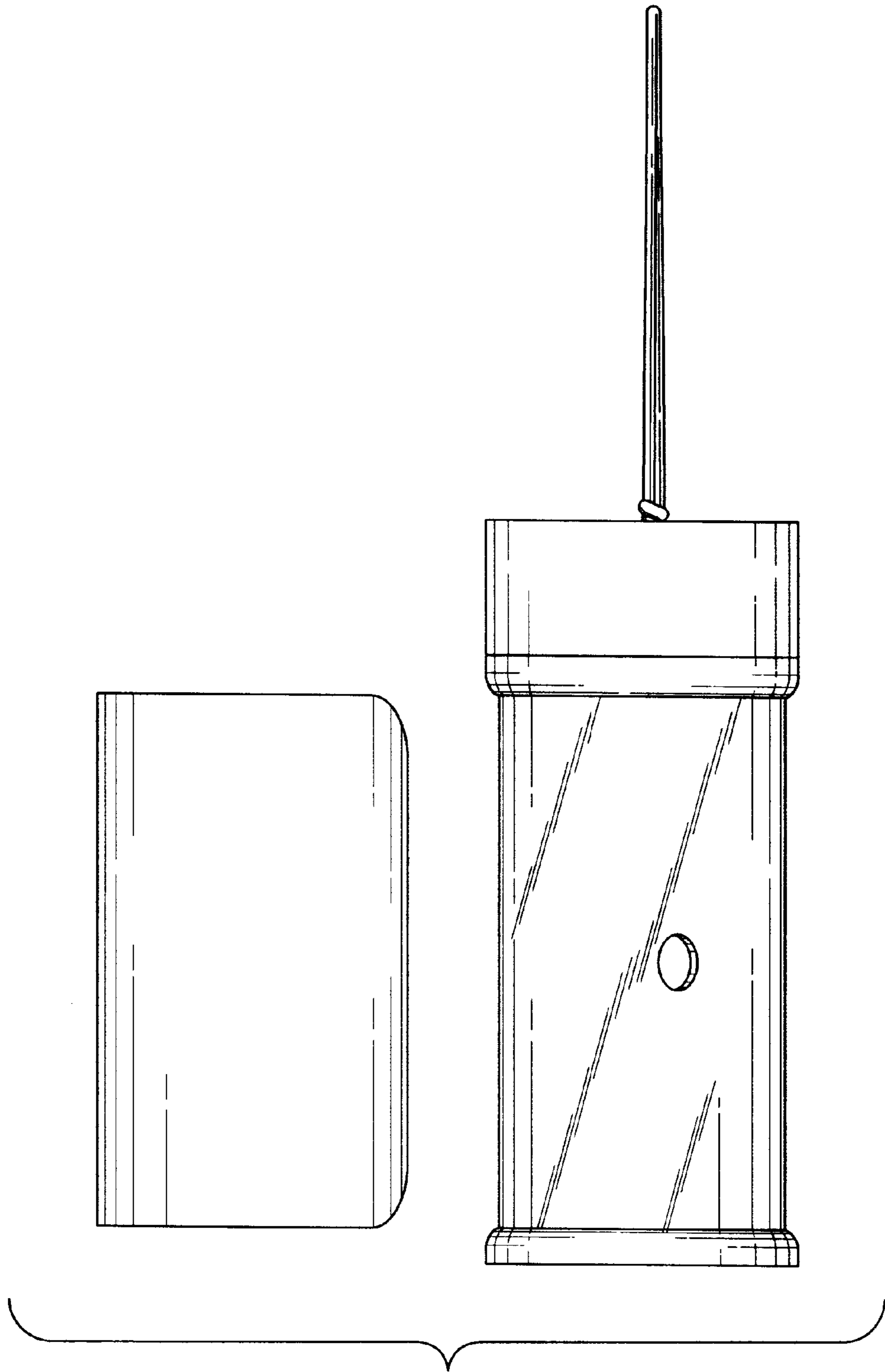


FIG. 5

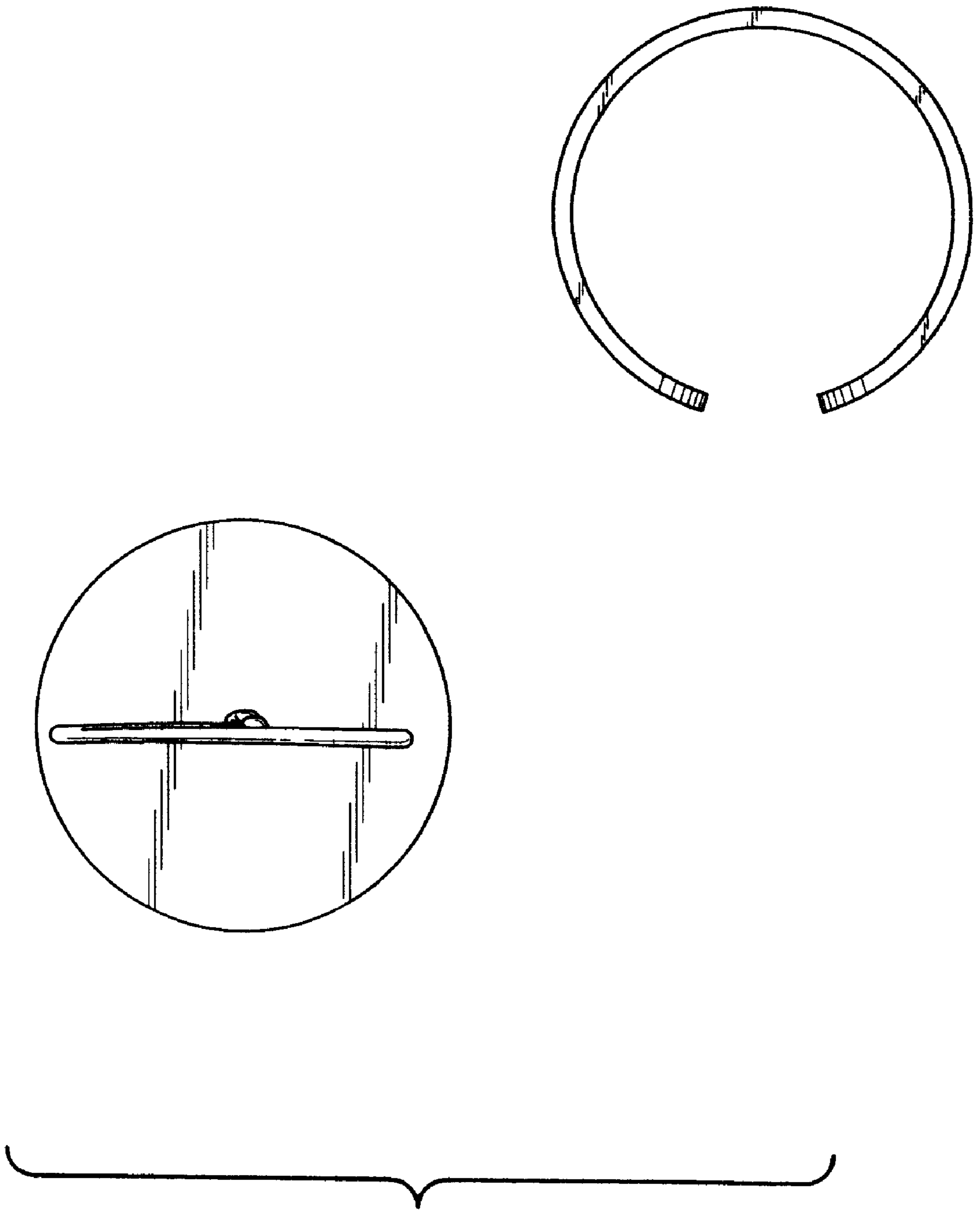


FIG. 6

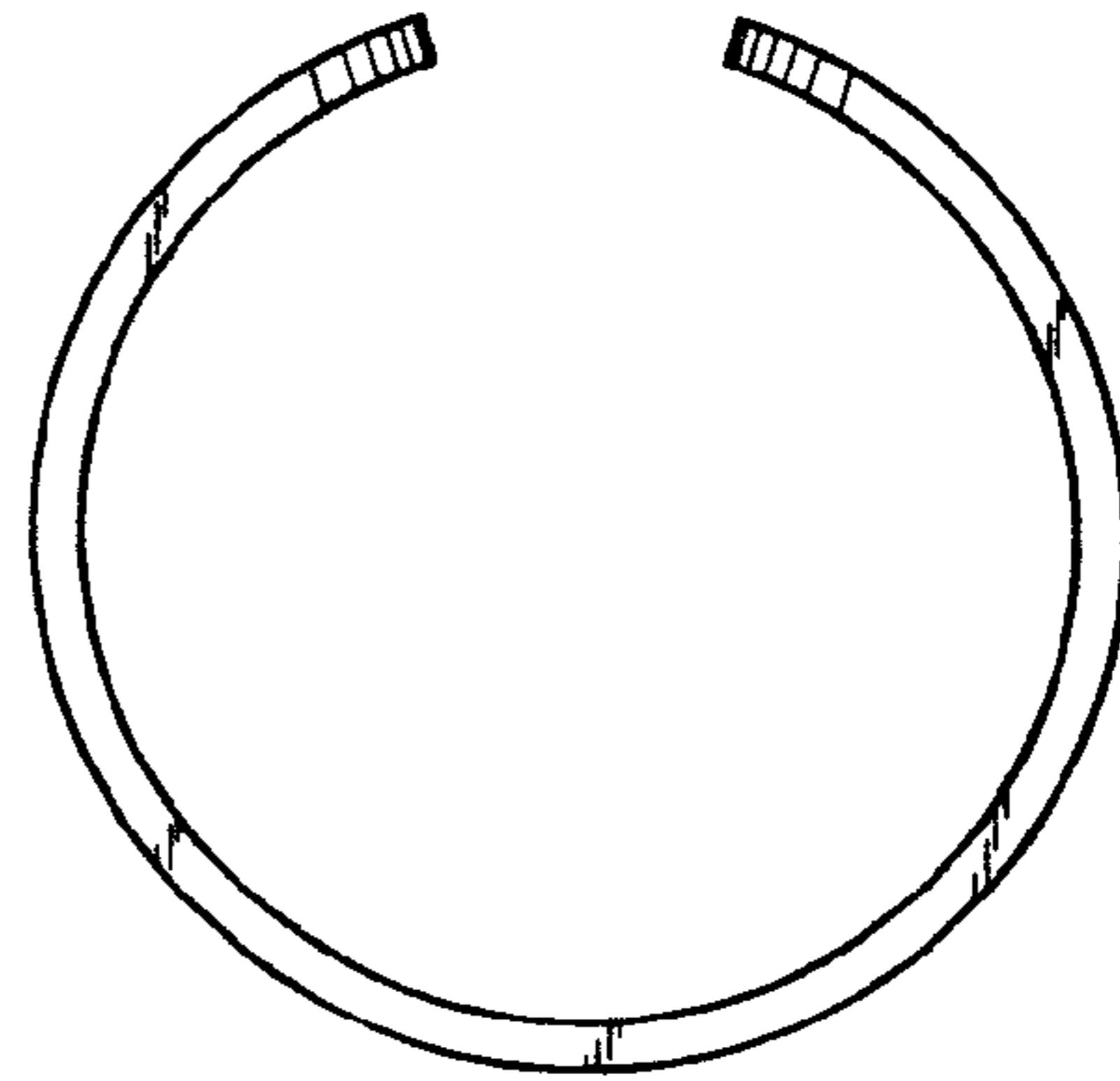
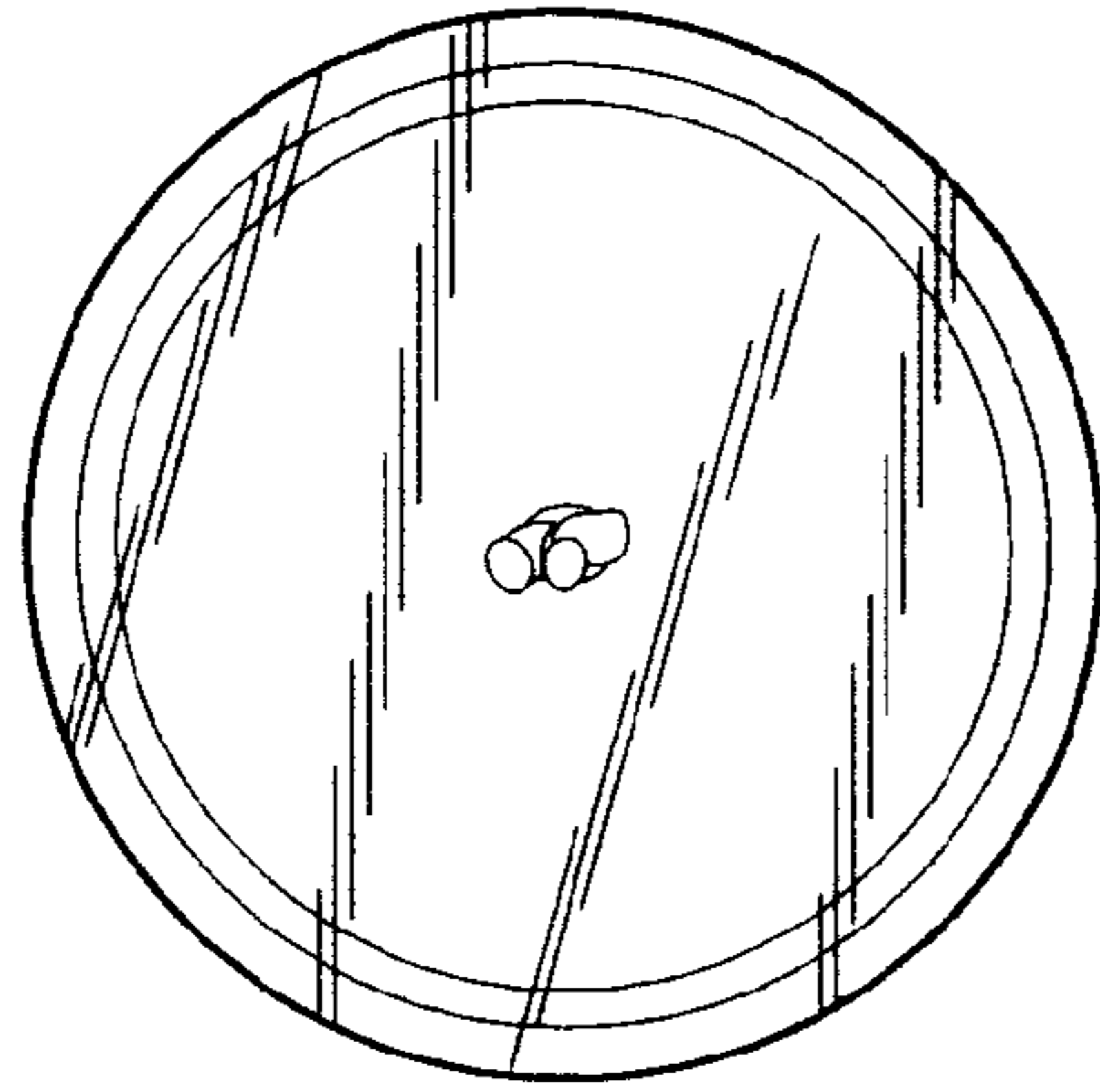


FIG. 7