



US00D447209B1

(12) **United States Design Patent**
Benini

(10) **Patent No.:** **US D447,209 S**

(45) **Date of Patent:** **** Aug. 28, 2001**

(54) **CARTRIDGE**

(75) Inventor: **Joseph C. Benini**, Kersey, PA (US)

(73) Assignee: **SinterFire Inc.**, Kersey, PA (US)

(**) Term: **14 Years**

(21) Appl. No.: **29/135,600**

(22) Filed: **Jan. 10, 2001**

(51) **LOC (7) Cl.** **22-03**

(52) **U.S. Cl.** **D22/116**

(58) **Field of Search** D22/100, 115,
D22/116, 199; 102/439, 501, 507, 510,
516, 518, 519

(56) **References Cited**

U.S. PATENT DOCUMENTS

D. 435,886	*	1/2001	Benini	D22/116
843,017	*	2/1907	Hoxie	102/510
949,028	*	2/1910	Ross	102/510
2,683,416	*	7/1954	Keller et al.	102/518
5,116,224	*	5/1992	Kelsey, Jr.	102/439
5,535,678	*	7/1996	Brown	102/439
5,565,646	*	10/1996	Williams	102/439

* cited by examiner

Primary Examiner—Louis S. Zarfaz

Assistant Examiner—Monica A. Weingart

(74) *Attorney, Agent, or Firm*—Finnegan, Henderson, Farabow, Garrett & Dunner, L.L.P.

(57) **CLAIM**

The ornamental design for the cartridge, as shown and described.

DESCRIPTION

FIG. 1 is a perspective view of my new design, the base being shown in dashed lines;

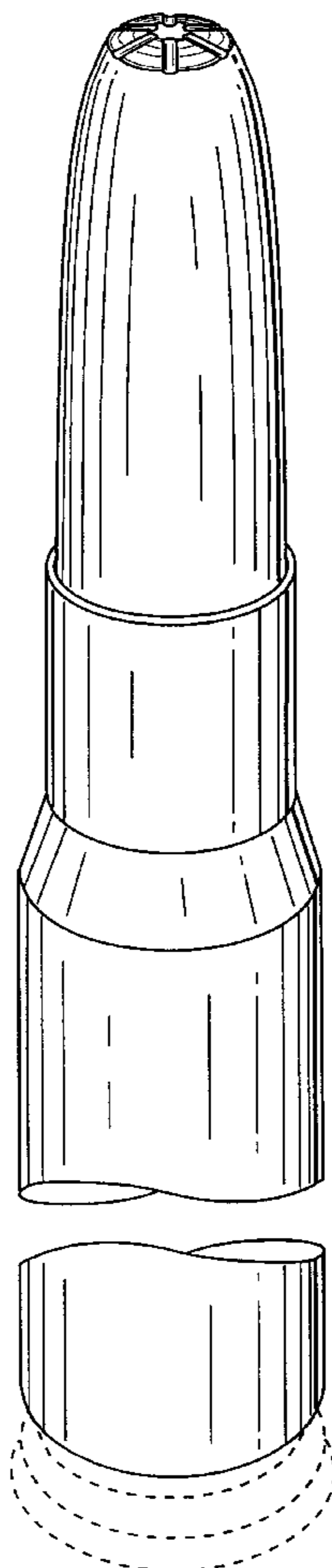
FIG. 2 is the side view of the design of FIG. 1 with the base being shown in dashed lines, the side views of the design having six-axis symmetry;

FIG. 3 is the top view of the design of FIGS. 1 and 2; and, FIG. 4 is the bottom view of the design of FIGS. 1–3, with the base not being part of the design.

The broken view of the design indicates that it is not limited to a particular length.

The broken line showing of the portion of the base is for illustrative purposes only and forms no part of the claimed design.

1 Claim, 2 Drawing Sheets



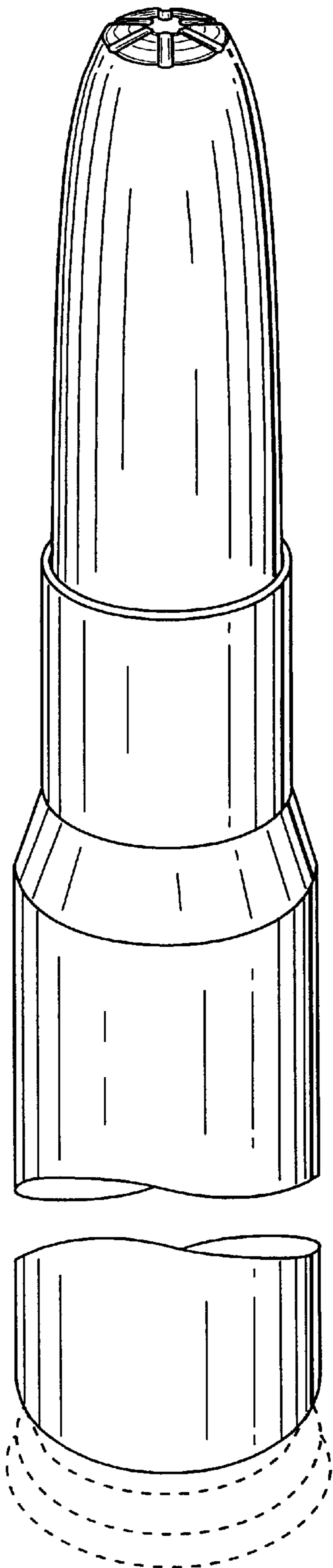


FIG. 1

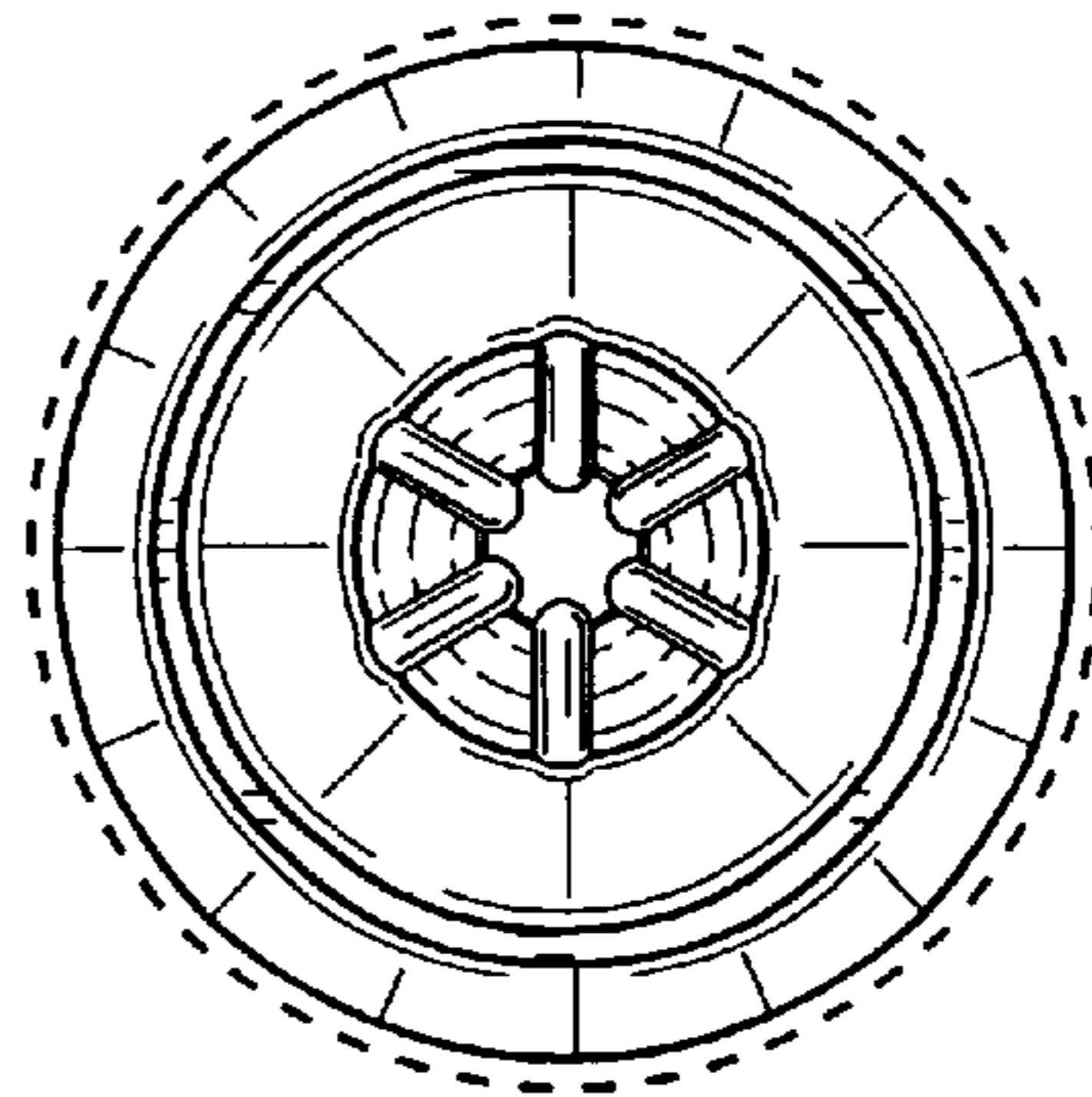


FIG. 3

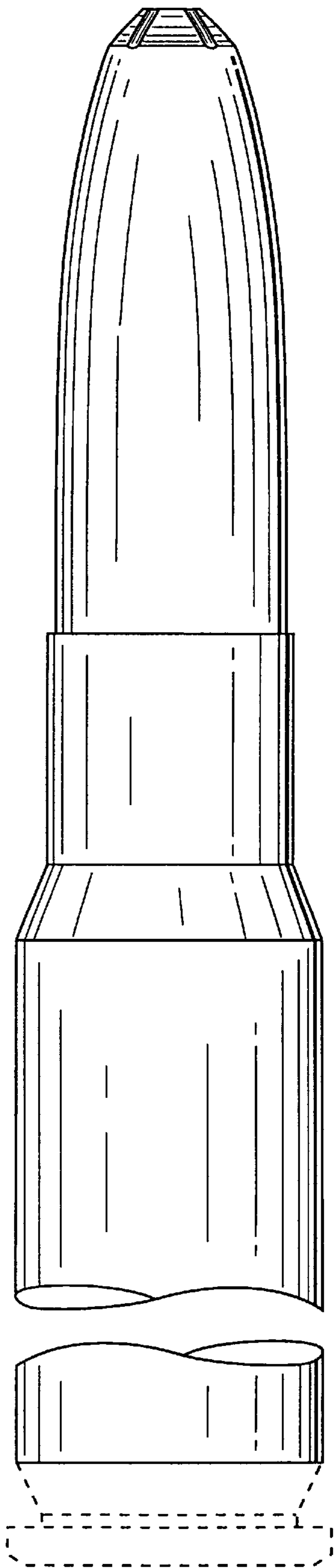


FIG. 2

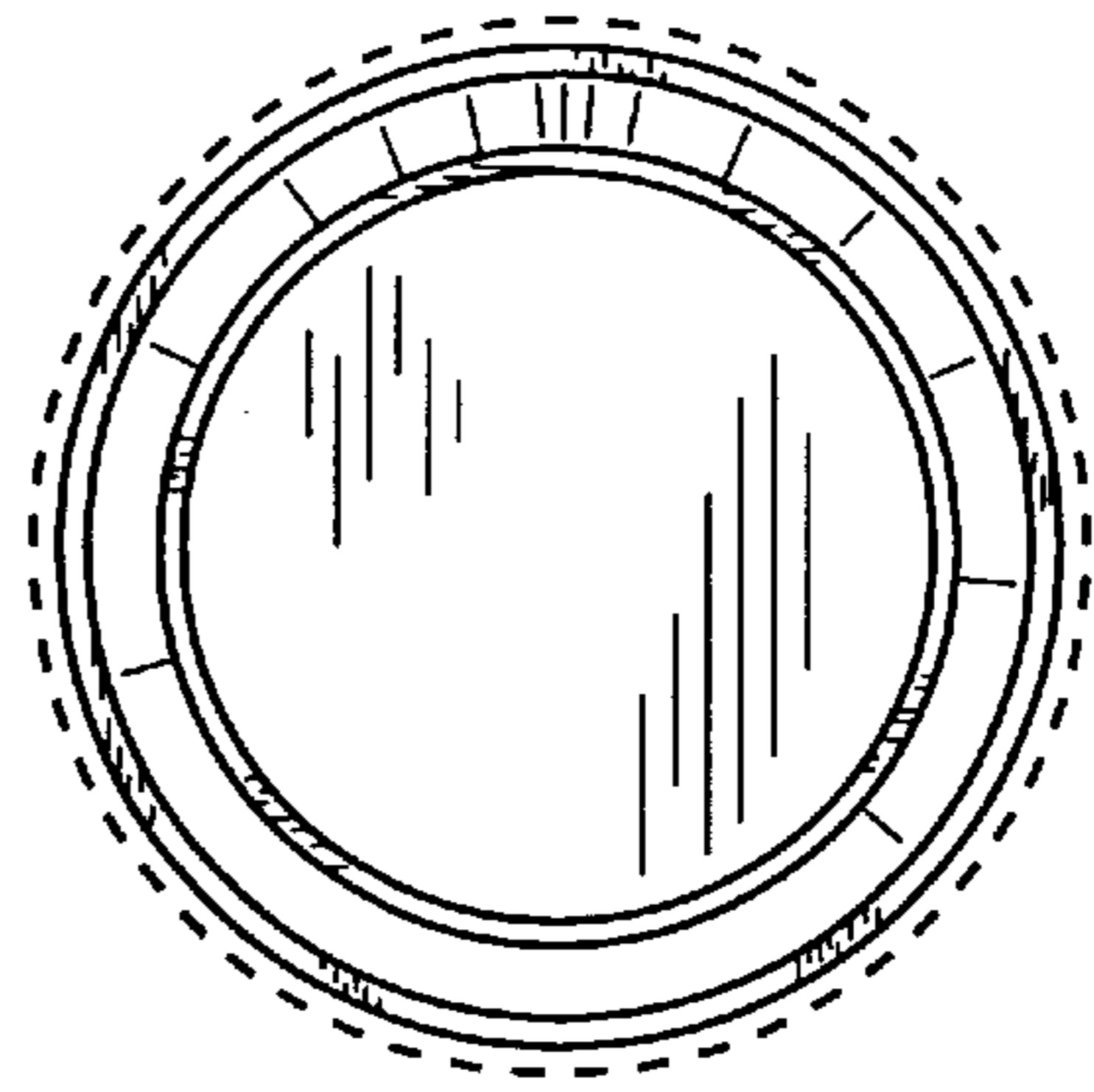


FIG. 4