



US00D447205B1

(12) **United States Design Patent**
Keng

(10) **Patent No.:** **US D447,205 S**

(45) **Date of Patent:** **** Aug. 28, 2001**

(54) **PISTOL REAR SIGHT**

D. 420,088 * 2/2000 Sheehan D22/109

(76) Inventor: **Da Keng**, 1553 Shamrock Trail, SE.,
Smyrna, GA (US) 30080-5853

* cited by examiner

(**) Term: **14 Years**

Primary Examiner—Louis S. Zarfes
Assistant Examiner—Monica A. Weingart
(74) *Attorney, Agent, or Firm*—J. Andrew McKinney, Jr.

(21) Appl. No.: **29/117,405**

(57) **CLAIM**

(22) Filed: **Jan. 27, 2000**

The ornamental design for pistol rear sight, as shown and described.

(51) **LOC (7) Cl.** **22-01**

DESCRIPTION

(52) **U.S. Cl.** **D22/109; D22/100; D22/108;**
D22/199

(58) **Field of Search** D22/100, 108,
D22/109, 199; 33/252, 253, 261; 42/100,
102

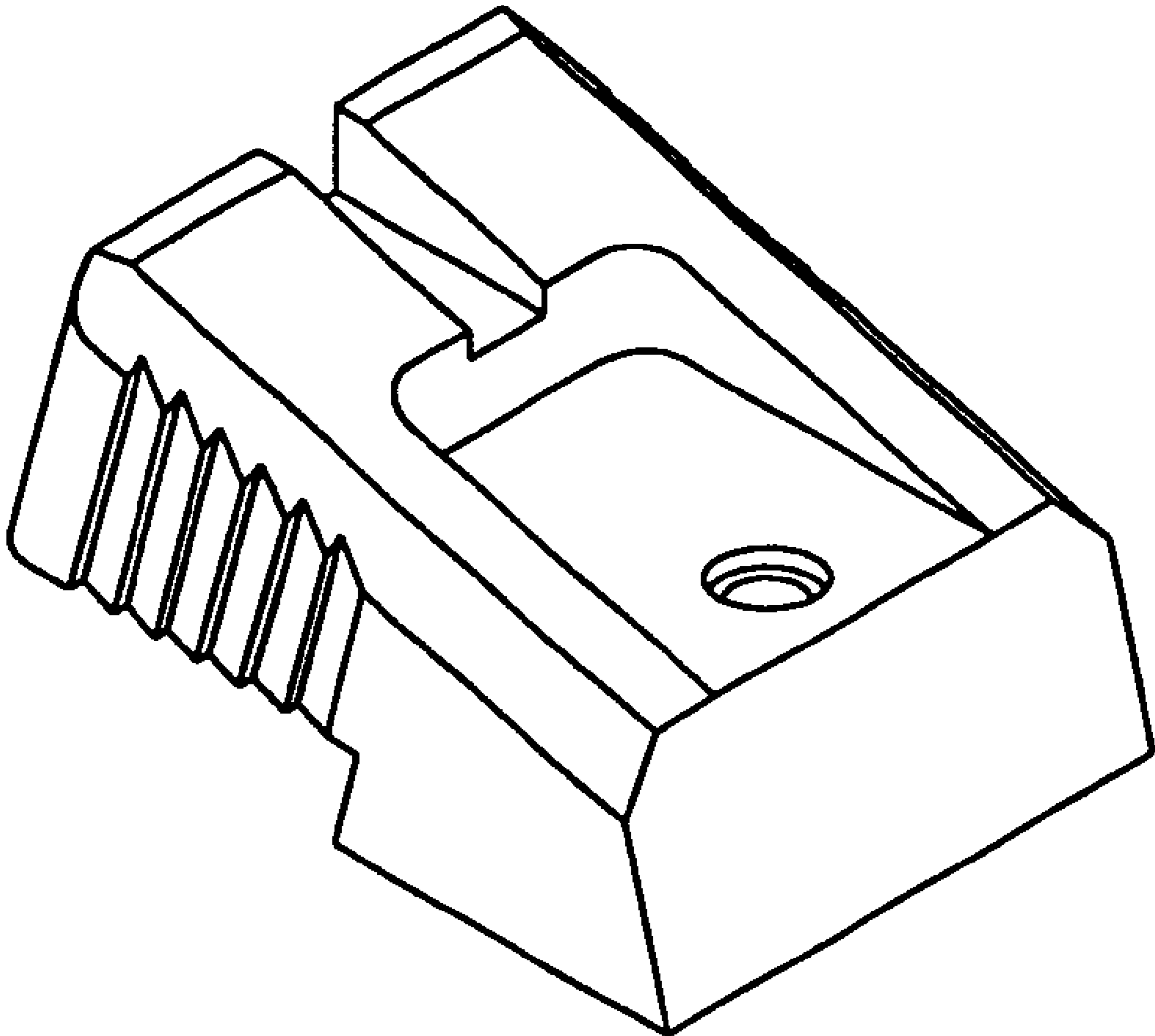
FIG. 1 is a right side view, in elevation.
FIG. 2 is a front view, in elevation.
FIG. 3 is a rear view, in elevation.
FIG. 4 is a left side view, in elevation.
FIG. 5 is a bottom view, in elevation.
FIG. 6 is a top view, in elevation.
FIG. 7 is a perspective view of the top from the right rear.
FIG. 8 is a perspective view of the top from the right front;
and,
FIG. 9 is a perspective view of the bottom from the right rear.

(56) **References Cited**

U.S. PATENT DOCUMENTS

- D. 296,227 * 6/1988 Novak D22/109
- D. 301,512 * 6/1989 Novak D22/109
- D. 351,449 * 10/1994 Dagley D22/109
- D. 352,087 * 11/1994 Stevens et al. D22/109
- D. 403,734 * 1/1999 Kay D22/109

1 Claim, 1 Drawing Sheet



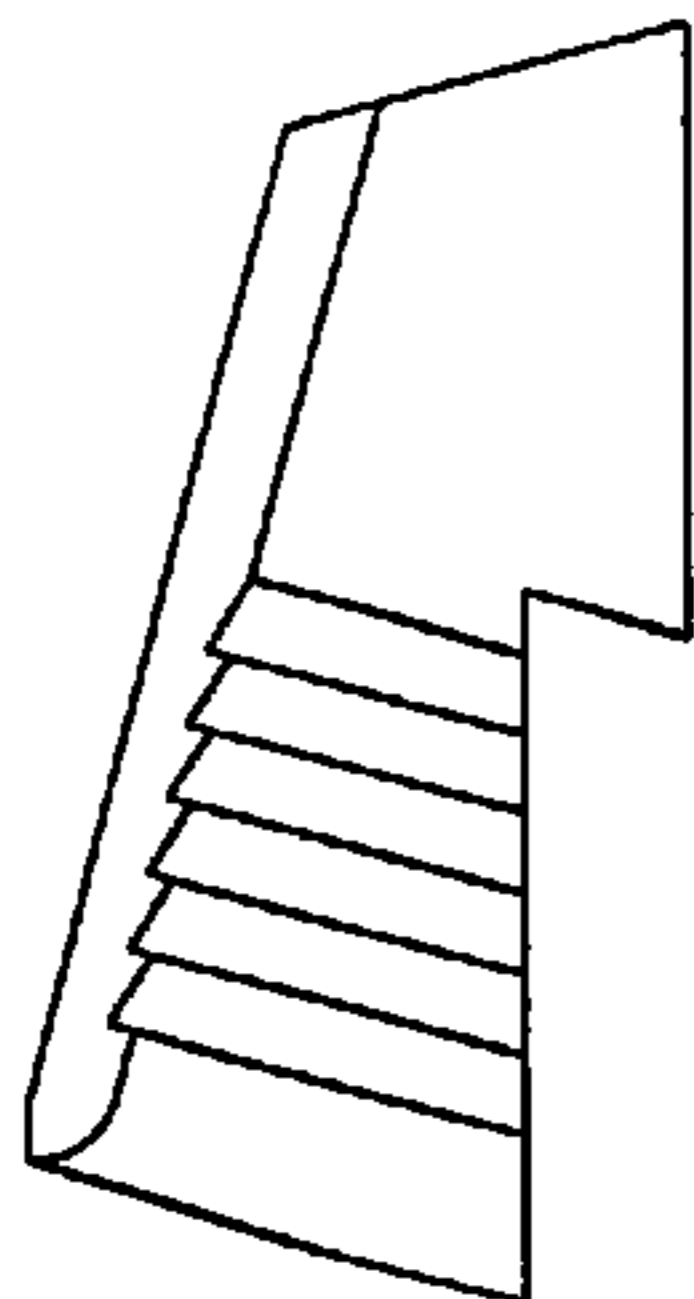


FIG. 1

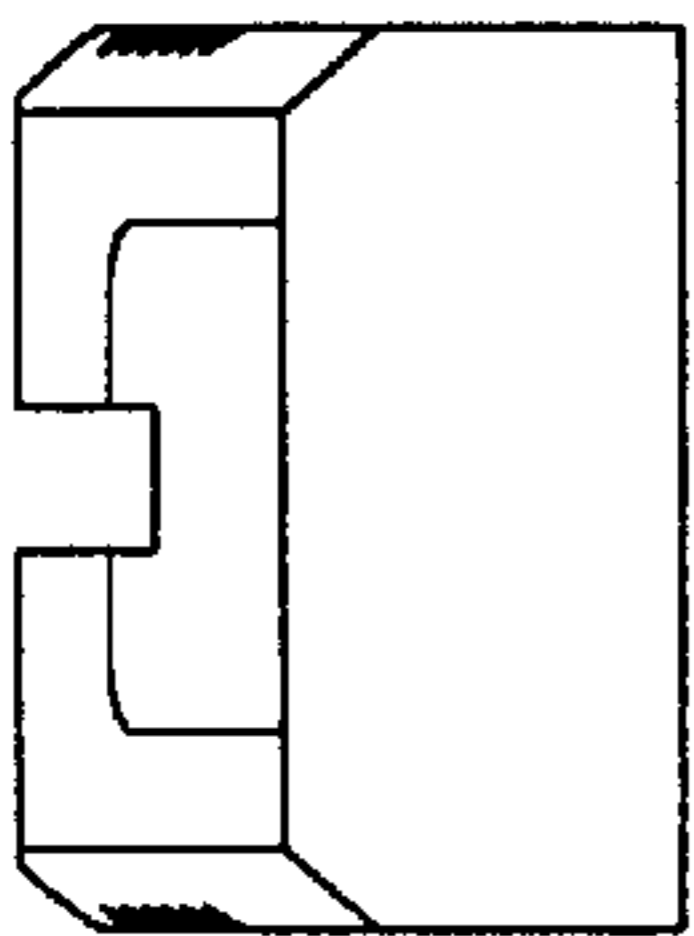


FIG. 2

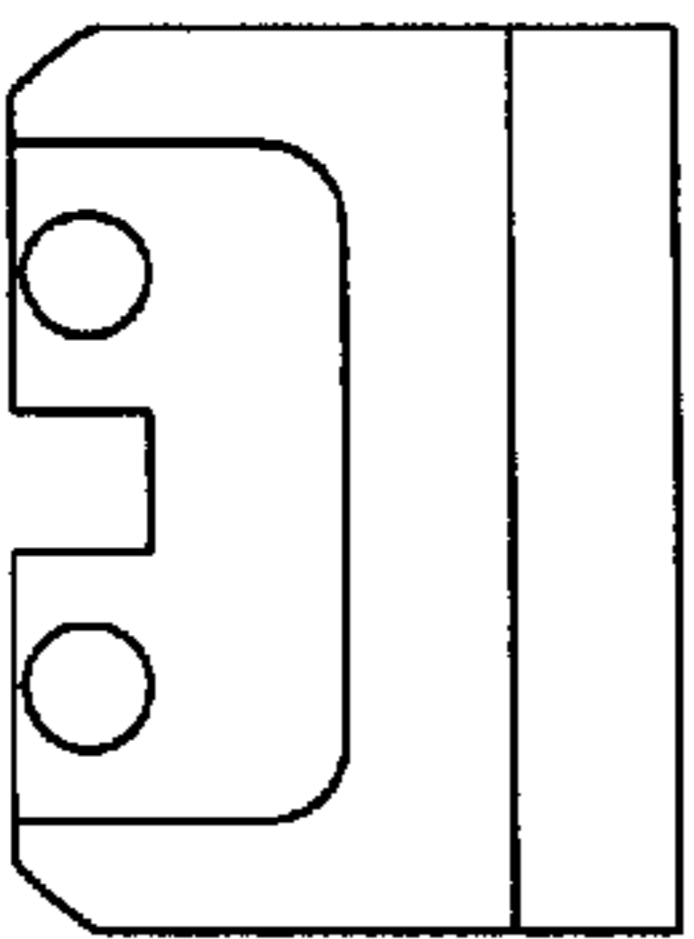


FIG. 3

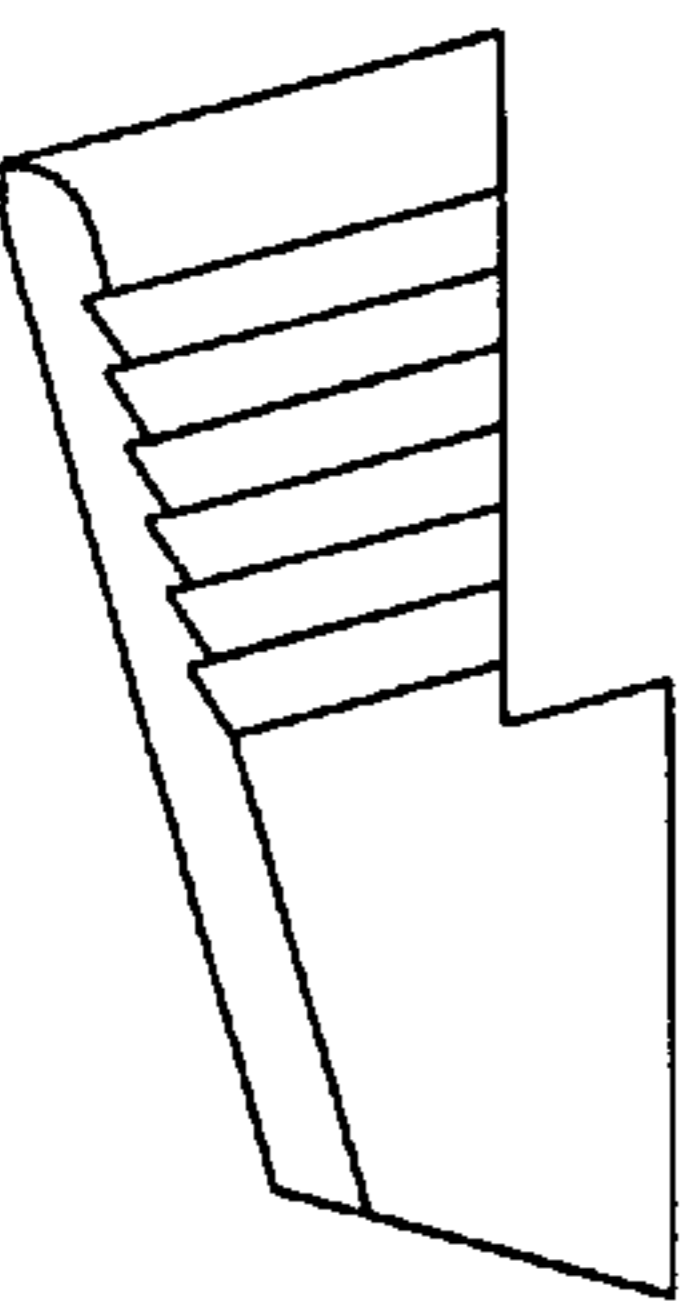


FIG. 4

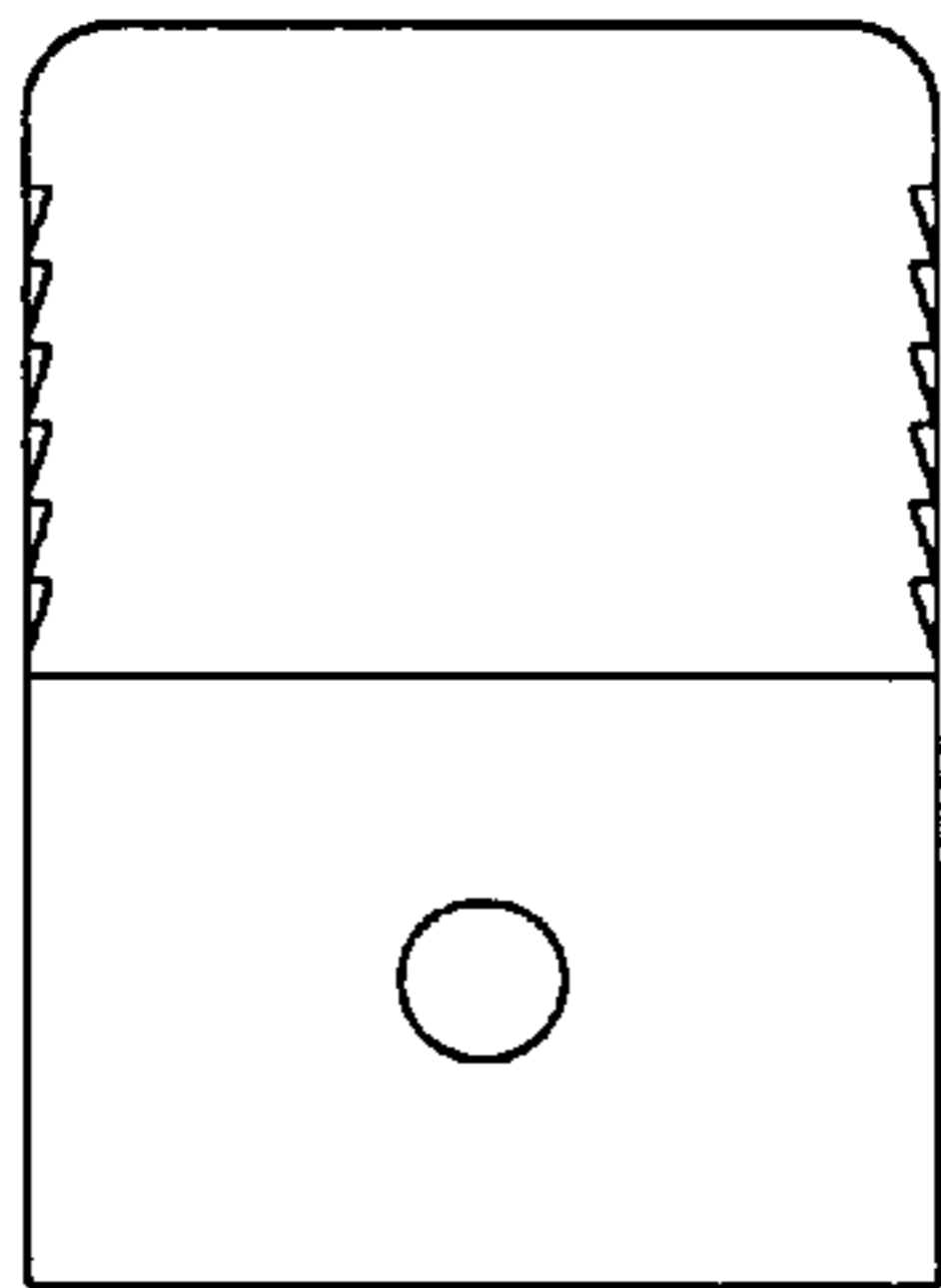


FIG. 5

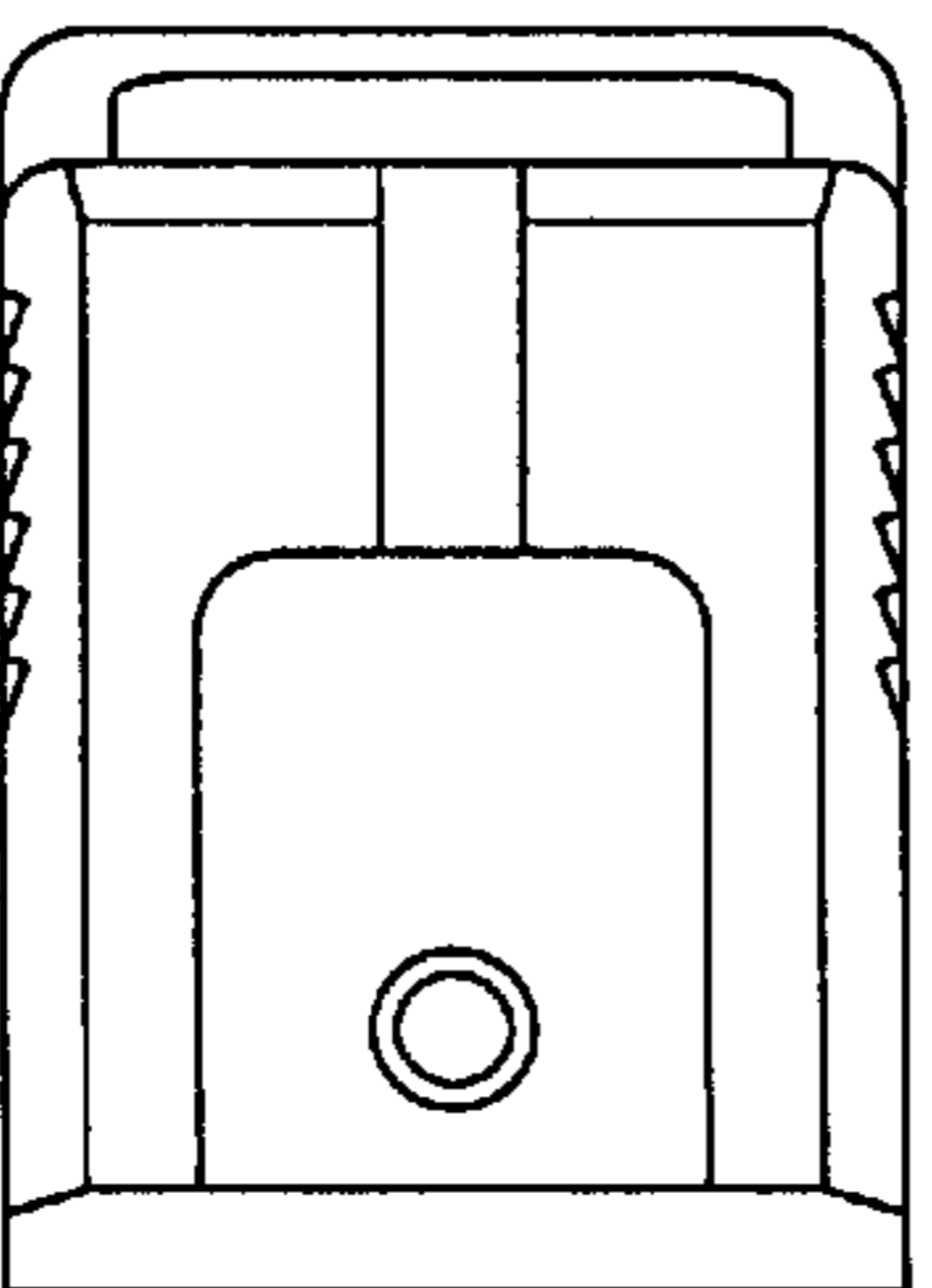


FIG. 6

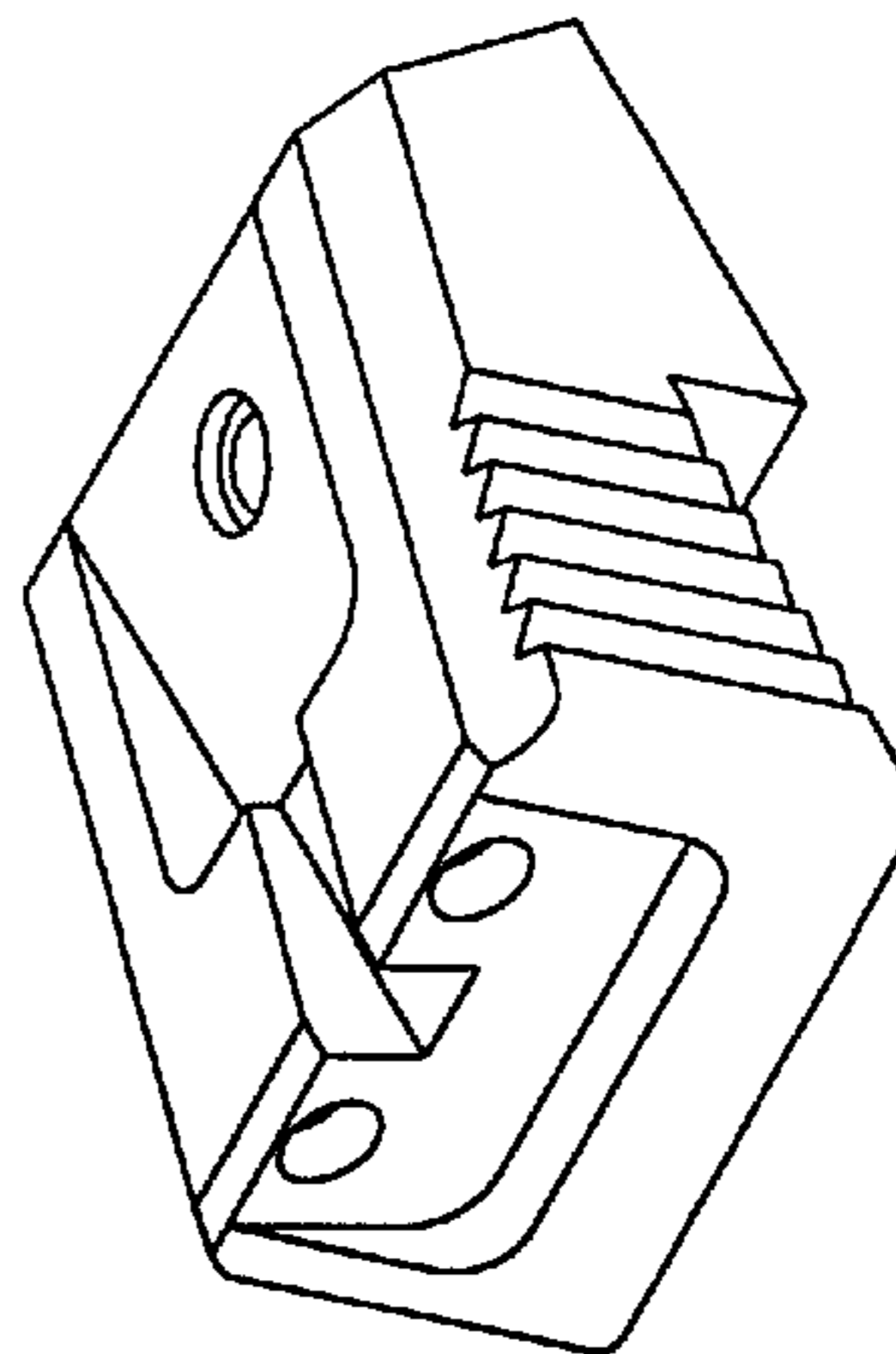


FIG. 7

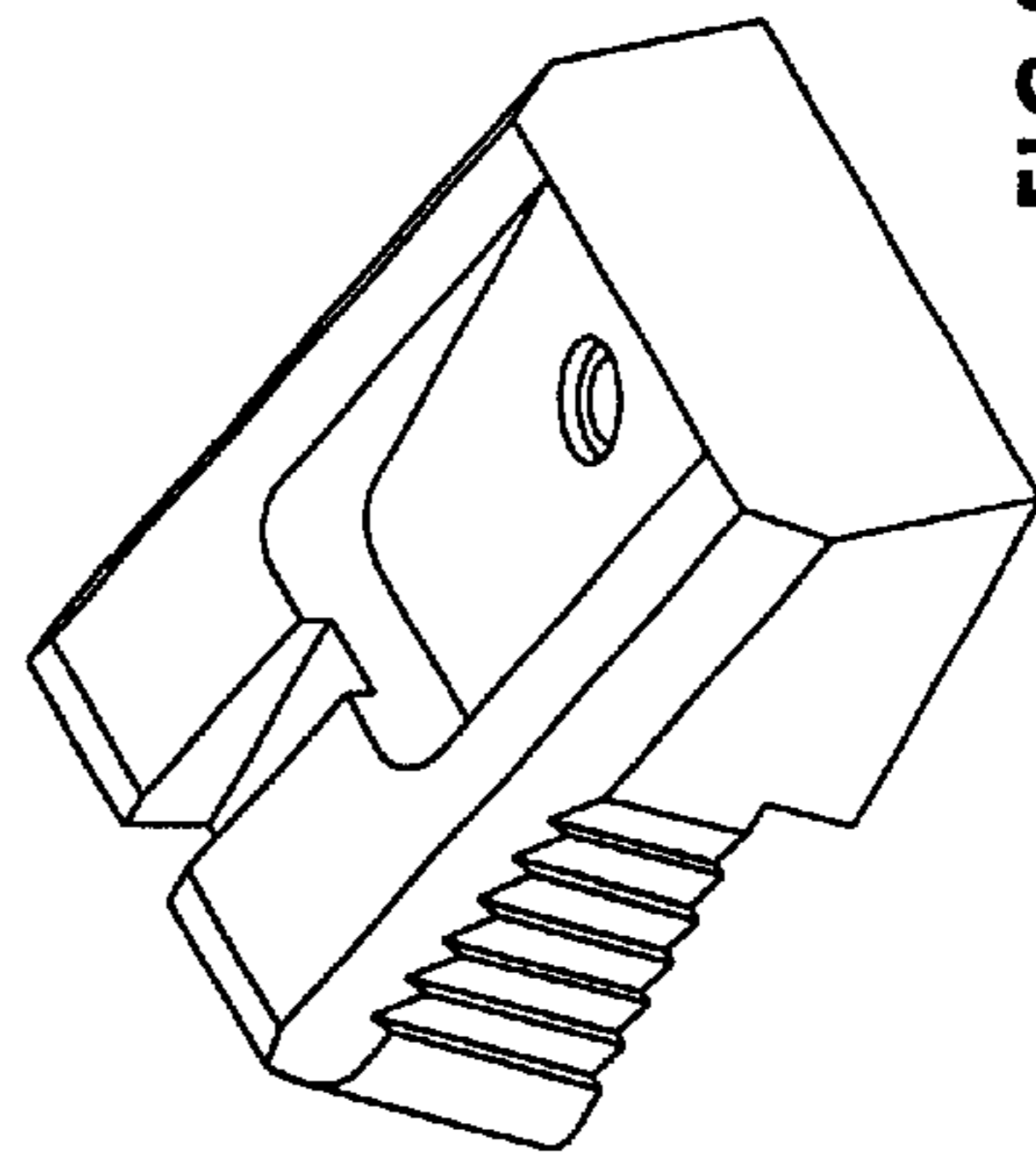


FIG. 8

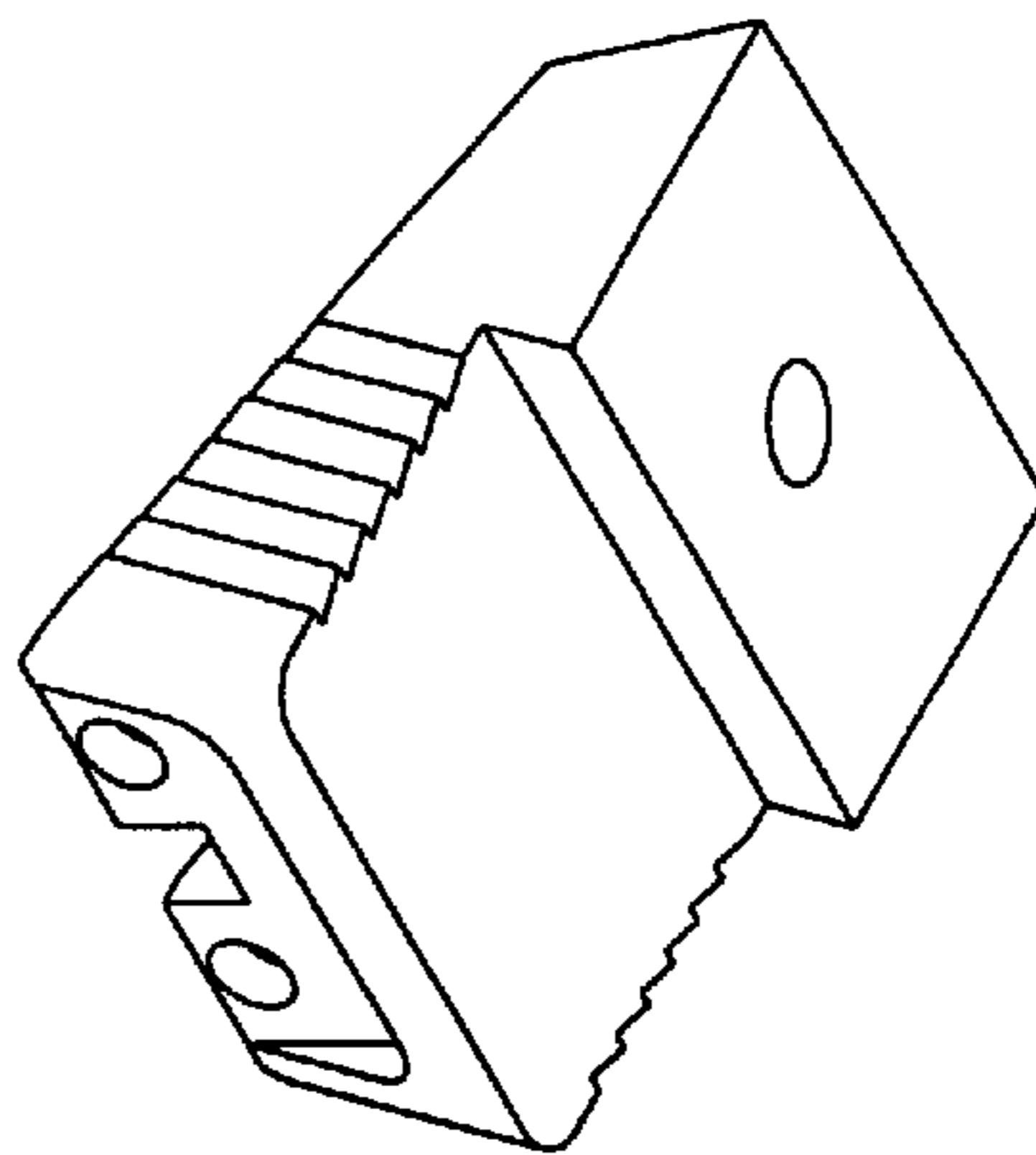


FIG. 9