



US00D447204B1

(12) **United States Design Patent**  
**Solheim et al.**

(10) **Patent No.:** **US D447,204 S**

(45) **Date of Patent:** **\*\* Aug. 28, 2001**

(54) **GOLF PUTTER FACE**

D. 415,227 \* 10/1999 Heilker ..... D21/743

(75) Inventors: **John K. Solheim; John A. Solheim,**  
both of Phoenix, AZ (US)

**OTHER PUBLICATIONS**

1999 Ping Catalog, Technology That Shapes The Game, pp.  
20–23.

(73) Assignee: **Karsten Manufacturing Corp.,**  
Phoenix, AZ (US)

\* cited by examiner

(\*\*) Term: **14 Years**

*Primary Examiner*—Mitchell Siegel

(74) *Attorney, Agent, or Firm*—Darrell F. Marquette

(21) Appl. No.: **29/134,354**

(57) **CLAIM**

(22) Filed: **Dec. 19, 2000**

We claim the ornamental design for a golf putter face, as  
shown and described.

(51) **LOC (7) Cl.** ..... **21-02**

(52) **U.S. Cl.** ..... **D21/759**

(58) **Field of Search** ..... D21/736–746,  
D21/753, 759; 473/324, 251–256, 340,  
341, 329

**DESCRIPTION**

FIG. 1 is perspective view of a golf putter face showing our  
new design; and,

FIG. 2 is a front elevational view of the golf putter face  
shown in FIG. 1.

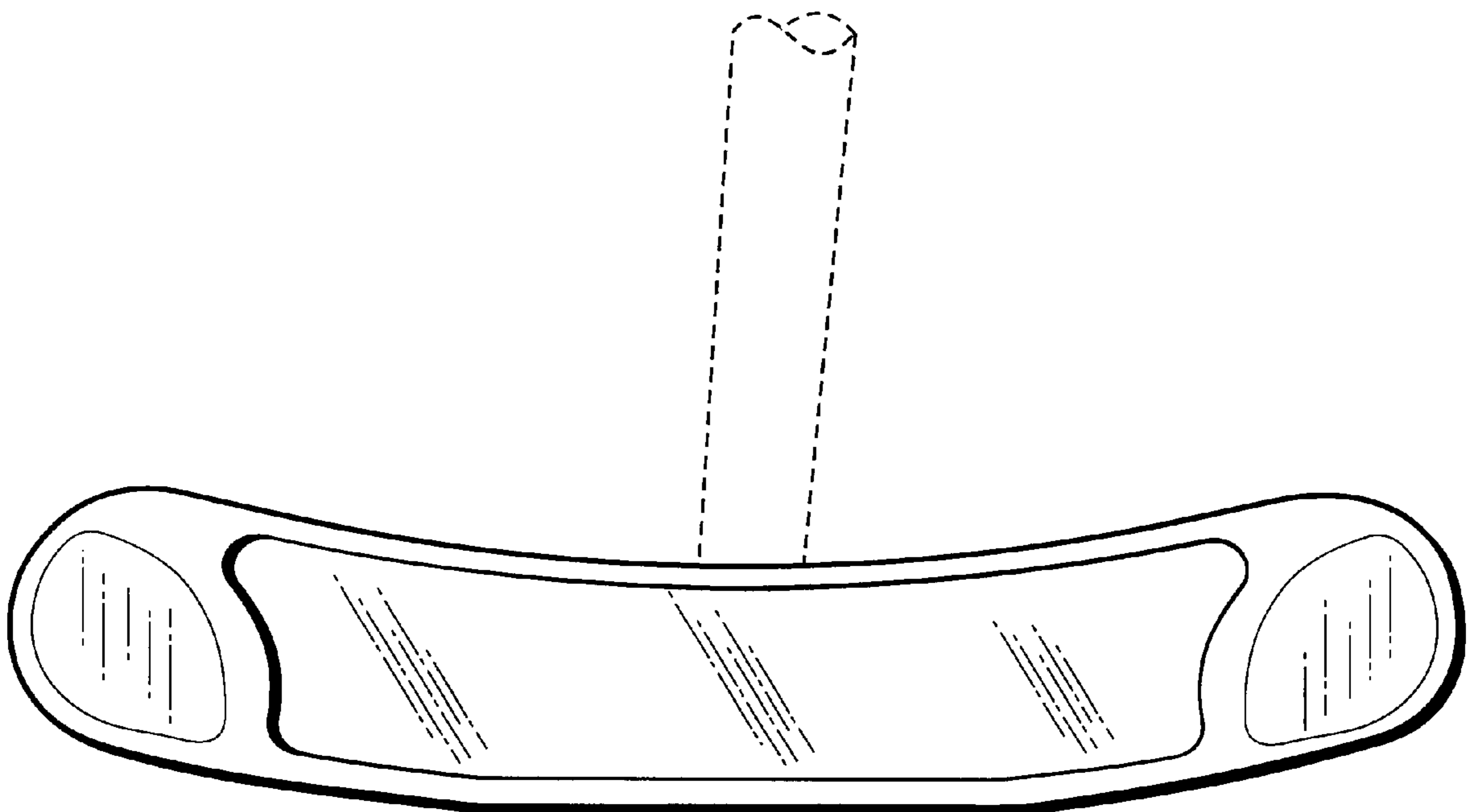
The broken line showing of other portions of a golf putter  
head is for illustrative purposes only and forms no part of the  
claimed design.

(56) **References Cited**

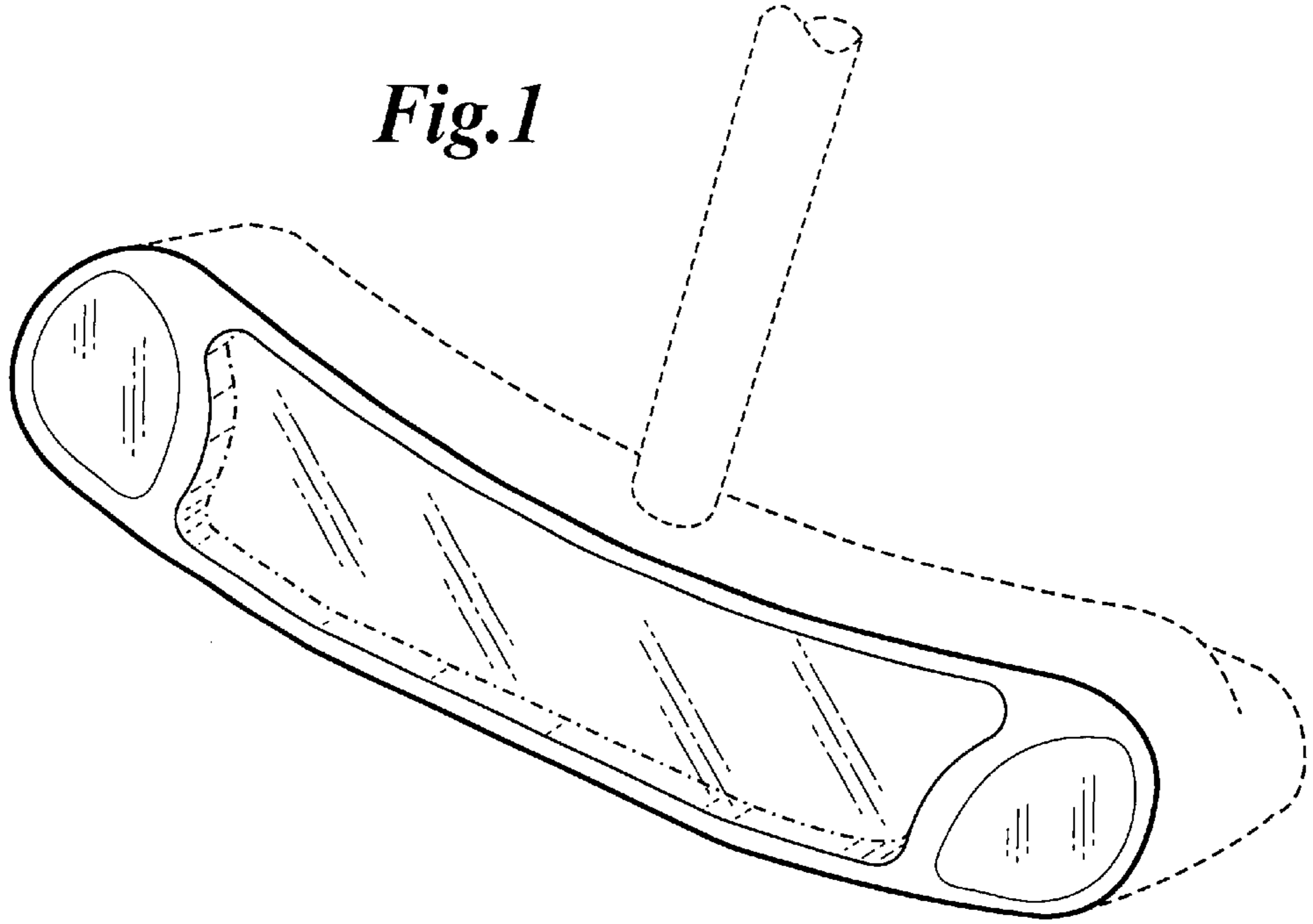
**U.S. PATENT DOCUMENTS**

- D. 230,751 \* 3/1974 Simonsen ..... D21/738
- D. 271,317 \* 11/1983 Bretl ..... D21/737
- D. 367,691 \* 3/1996 Lee et al. .... D21/742

**1 Claim, 1 Drawing Sheet**



*Fig.1*



*Fig.2*

