



US00D447199B1

(12) **United States Design Patent**
Christensen

(10) **Patent No.:** **US D447,199 S**

(45) **Date of Patent:** **** Aug. 28, 2001**

(54) **GOLF PUTTER HEAD**

(75) Inventor: **Brent Christensen**, Redmond, WA
(US)

(73) Assignee: **Pacific Tool, Inc.**, Redmond, WA (US)

(**) Term: **14 Years**

(21) Appl. No.: **29/095,934**

(22) Filed: **Oct. 19, 1998**

(51) **LOC (7) Cl.** **21-02**

(52) **U.S. Cl.** **D21/743**

(58) **Field of Search** D21/736-746;
473/324, 327, 328, 340, 341, 251-256

(56) **References Cited**

U.S. PATENT DOCUMENTS

D. 305,680	*	1/1990	Cook	D21/741
D. 322,112	*	12/1991	Kastenhuber	D21/740
D. 368,126		3/1996	Magerman et al.	D21/219
D. 392,009	*	3/1998	Maltby et al.	D21/743
D. 410,718	*	6/1999	Christensen	D21/741
D. 415,229	*	10/1999	Christensen	D21/744
4,618,149		10/1986	Maxel	273/79
4,679,792		7/1987	Straza et al.	273/78

4,884,808	12/1989	Retzer	273/77
5,458,332	10/1995	Fisher	273/78
5,485,997	1/1996	Schmidt et al.	273/78
5,718,644	2/1998	Donofrio	473/340

* cited by examiner

Primary Examiner—Mitchell Siegel

(74) *Attorney, Agent, or Firm*—Dean A. Craine

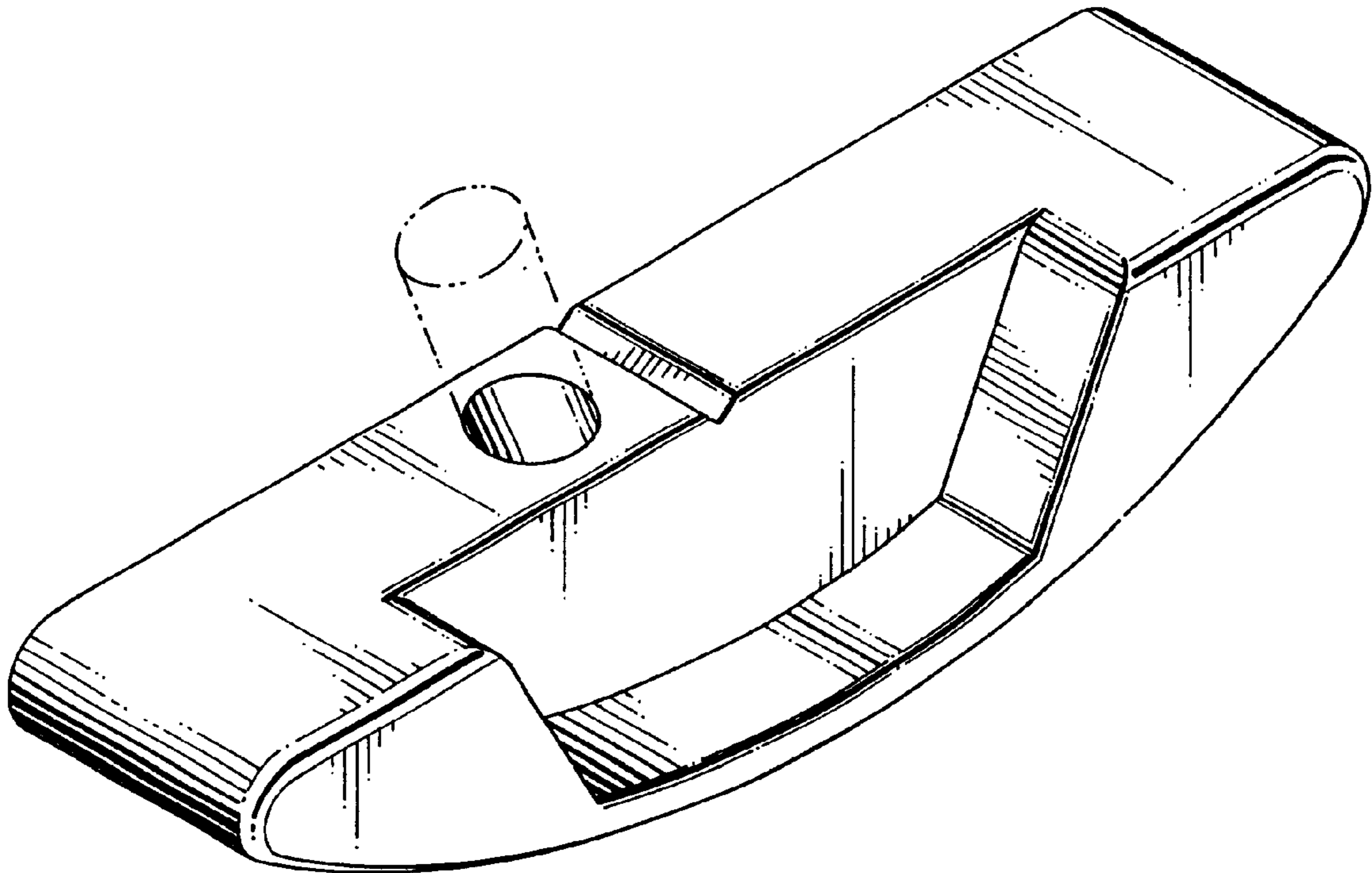
(57) **CLAIM**

The ornamental design for a golf putter head, as shown and described.

DESCRIPTION

FIG. 1 is a perspective view of the golf putter head.
 FIG. 2 is a right side elevational view of the golf putter head.
 FIG. 3 is a left side elevational view of the golf putter head.
 FIG. 4 is a rear elevational view of the golf putter head.
 FIG. 5 is a front elevational view of the golf putter head.
 FIG. 6 is a top plan view of the golf putter head; and,
 FIG. 7 is a bottom plan view of the golf putter head.
 The broken line showing of the fragmented shaft is for illustrative purposes only and forms no part of the claimed design.

1 Claim, 1 Drawing Sheet



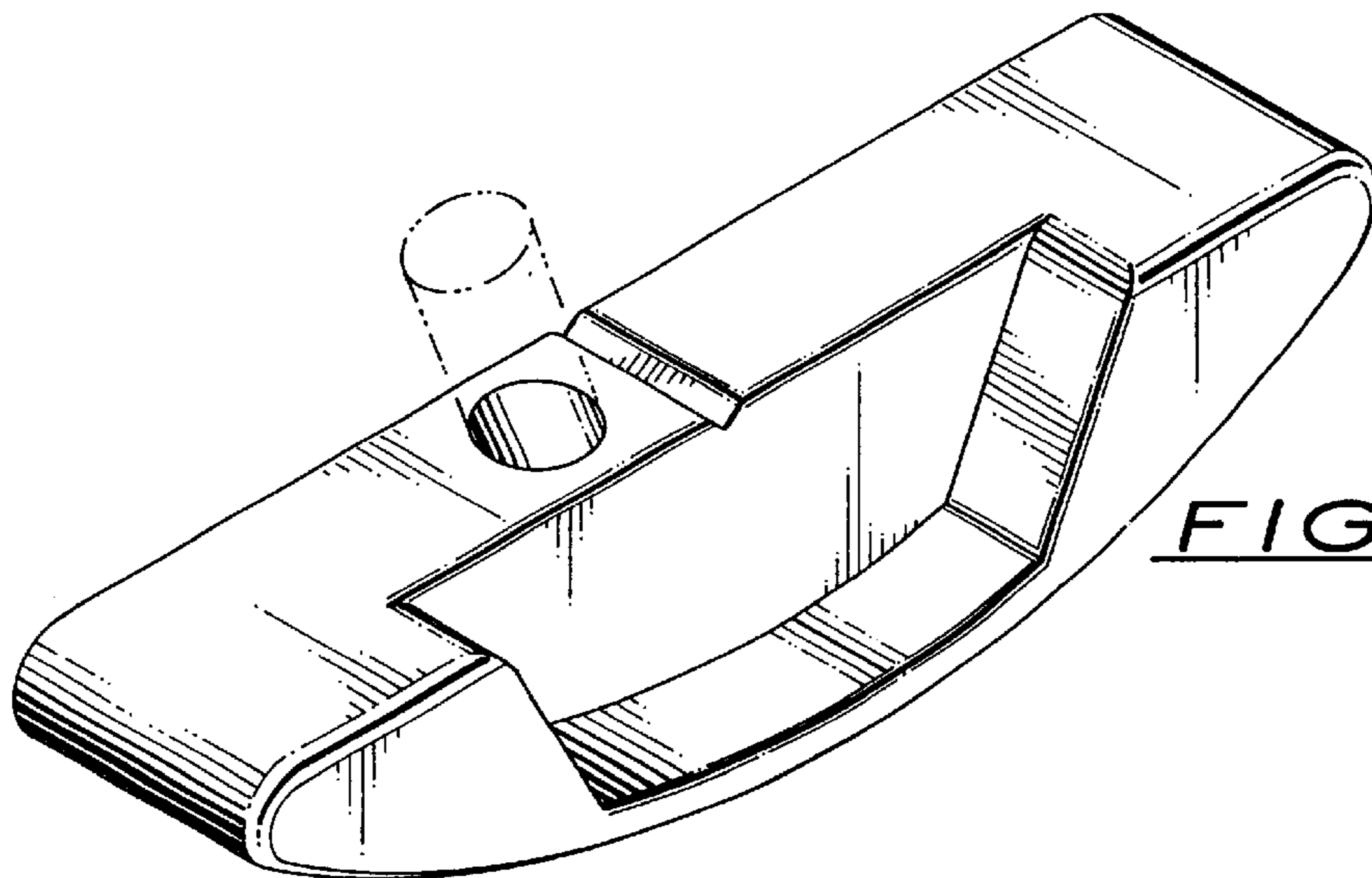


FIG. 1

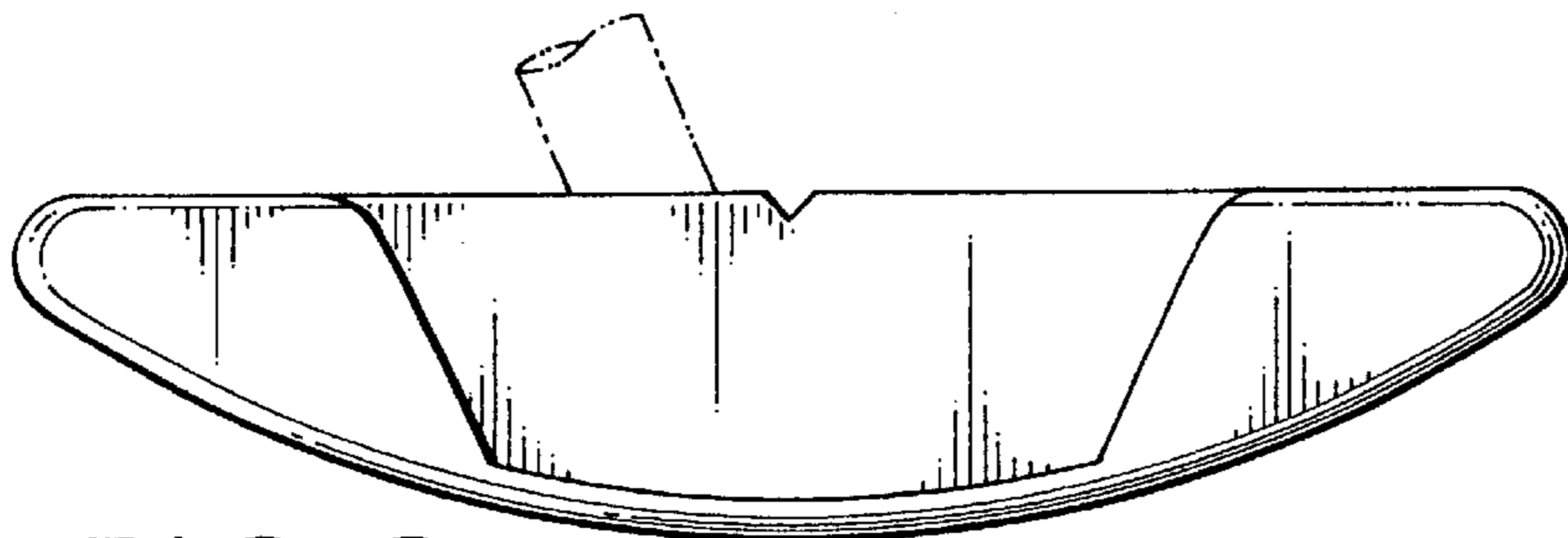


FIG. 2

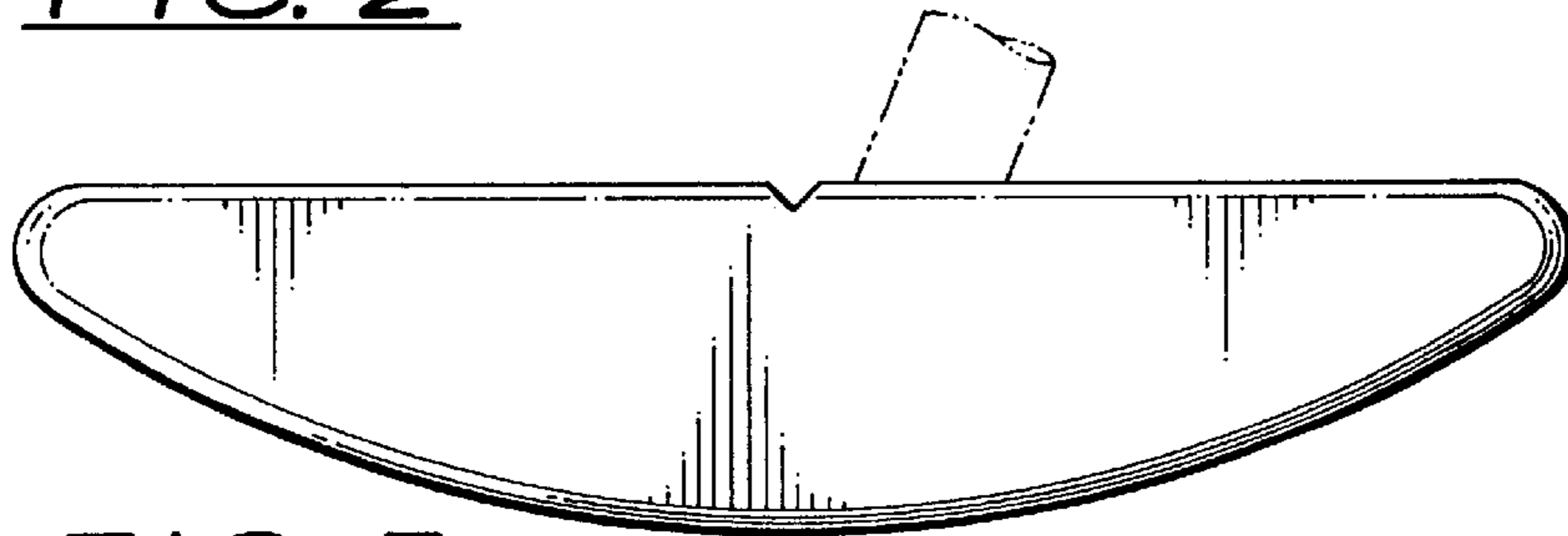


FIG. 3

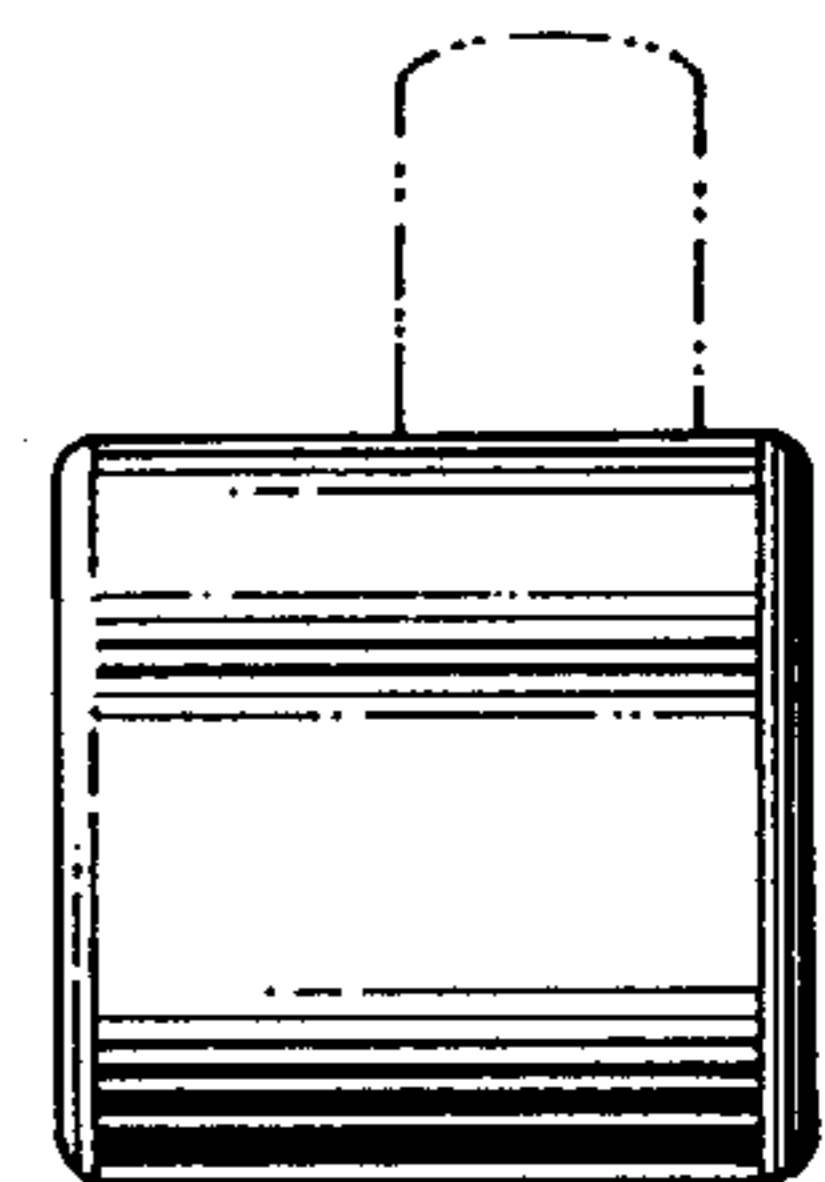


FIG. 4

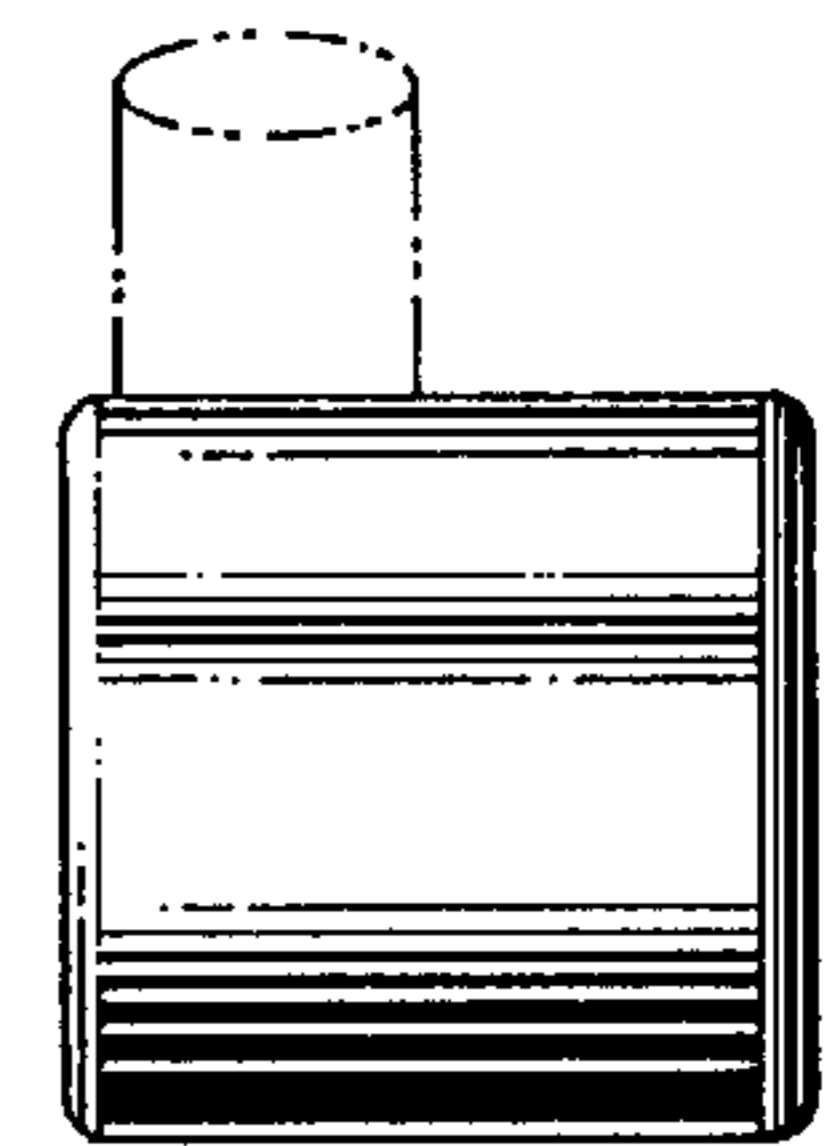


FIG. 5

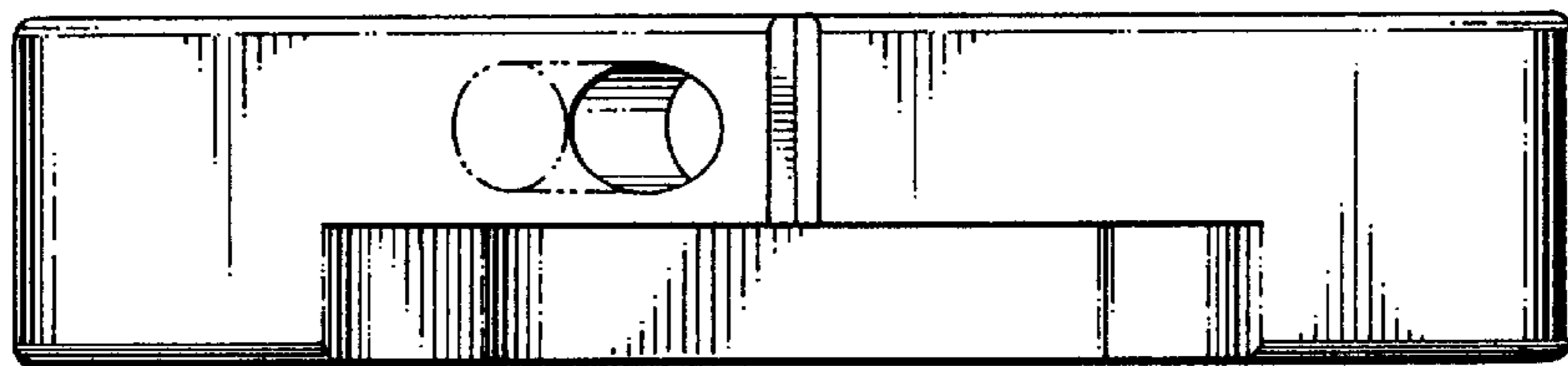


FIG. 6

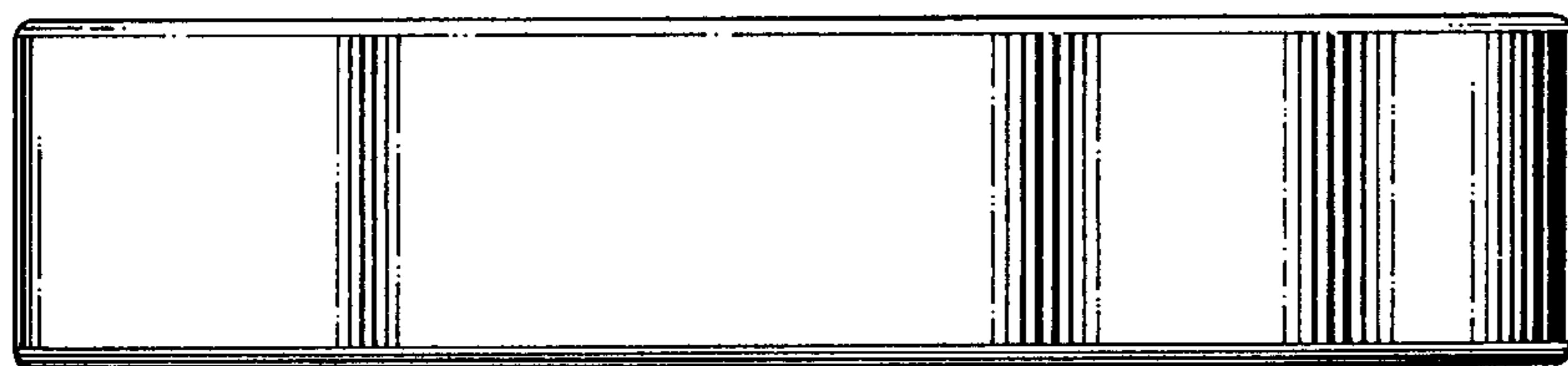


FIG. 7