



US00D447196B1

(12) **United States Design Patent**
Bennett

(10) **Patent No.:** **US D447,196 S**

(45) **Date of Patent:** **** Aug. 28, 2001**

(54) **CURLING DEVICE**

517,103 * 3/1894 Hamilton 473/587
5,474,293 * 12/1995 Tanaka 473/587 X

(75) Inventor: **John D Bennett**, Dymchurch (GB)

* cited by examiner

(73) Assignee: **Terence Michael Hart** (GB); a part interest

Primary Examiner—Dominic Simone

(**) Term: **14 Years**

(74) *Attorney, Agent, or Firm*—Bachman & LaPointe, P.C.

(21) Appl. No.: **29/130,273**

(57) **CLAIM**

(22) Filed: **Sep. 29, 2000**

The ornamental design for the curling device, as shown and as described.

(30) **Foreign Application Priority Data**

DESCRIPTION

Apr. 28, 2000 (GB) 2092517

(51) **LOC (7) Cl.** **21-02**

(52) **U.S. Cl.** **D21/710**

(58) **Field of Search** D21/710; 473/587;
16/26

FIG. 1 is a top plan view;

FIG. 2 is an bottom plan view;

FIG. 3 is a front view; and,

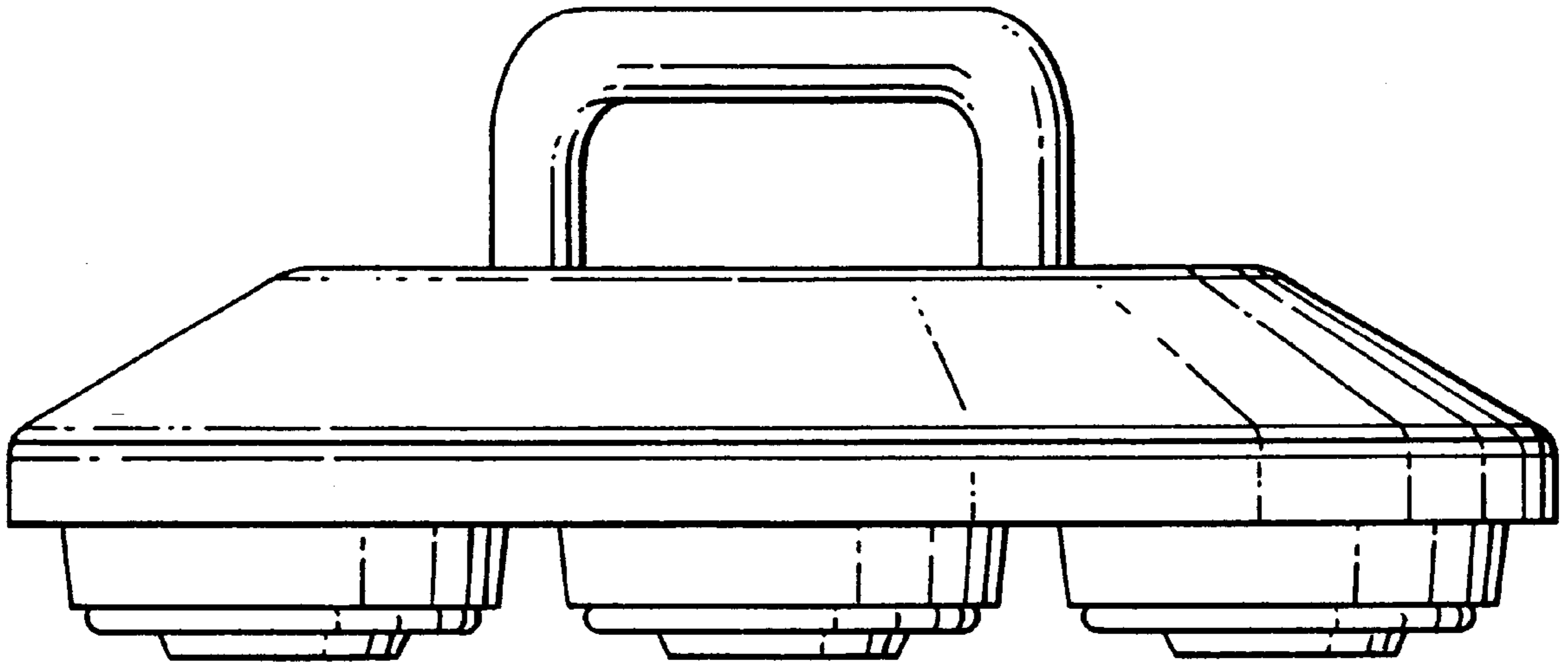
FIG. 4 is a side view.

(56) **References Cited**

U.S. PATENT DOCUMENTS

D. 259,271 * 5/1981 Kushnir D21/710

1 Claim, 3 Drawing Sheets



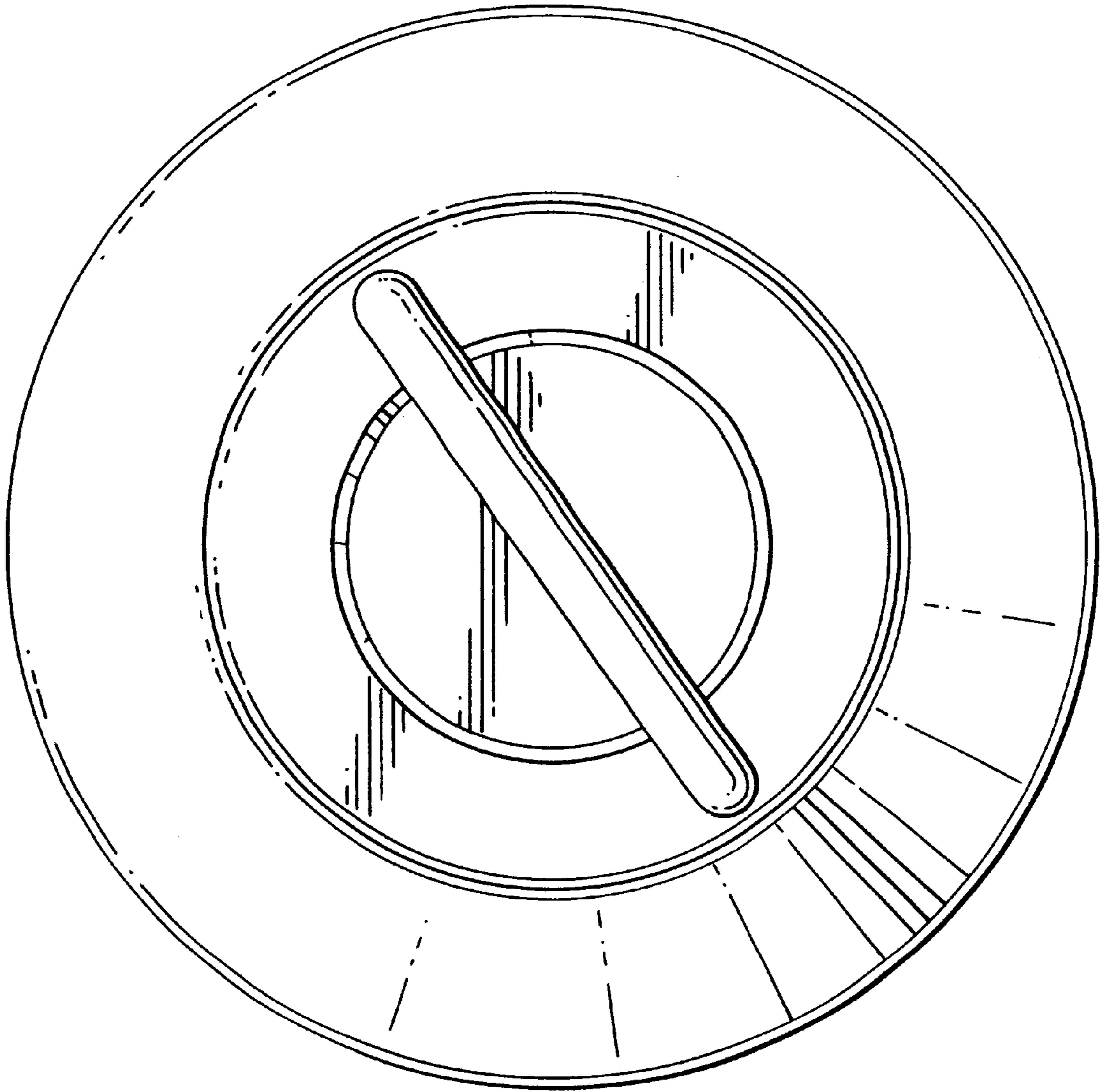


FIG. 1

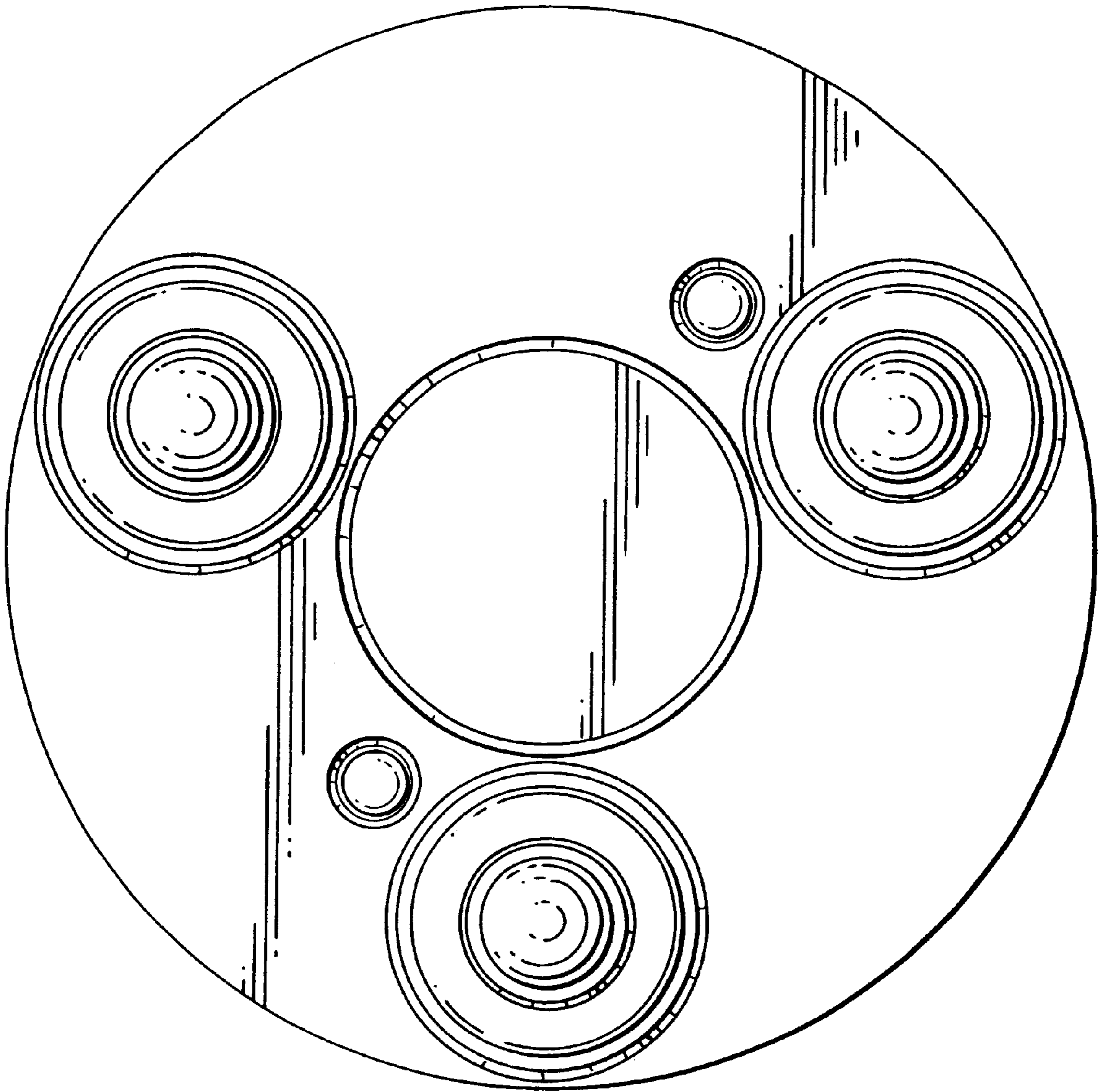


FIG. 2

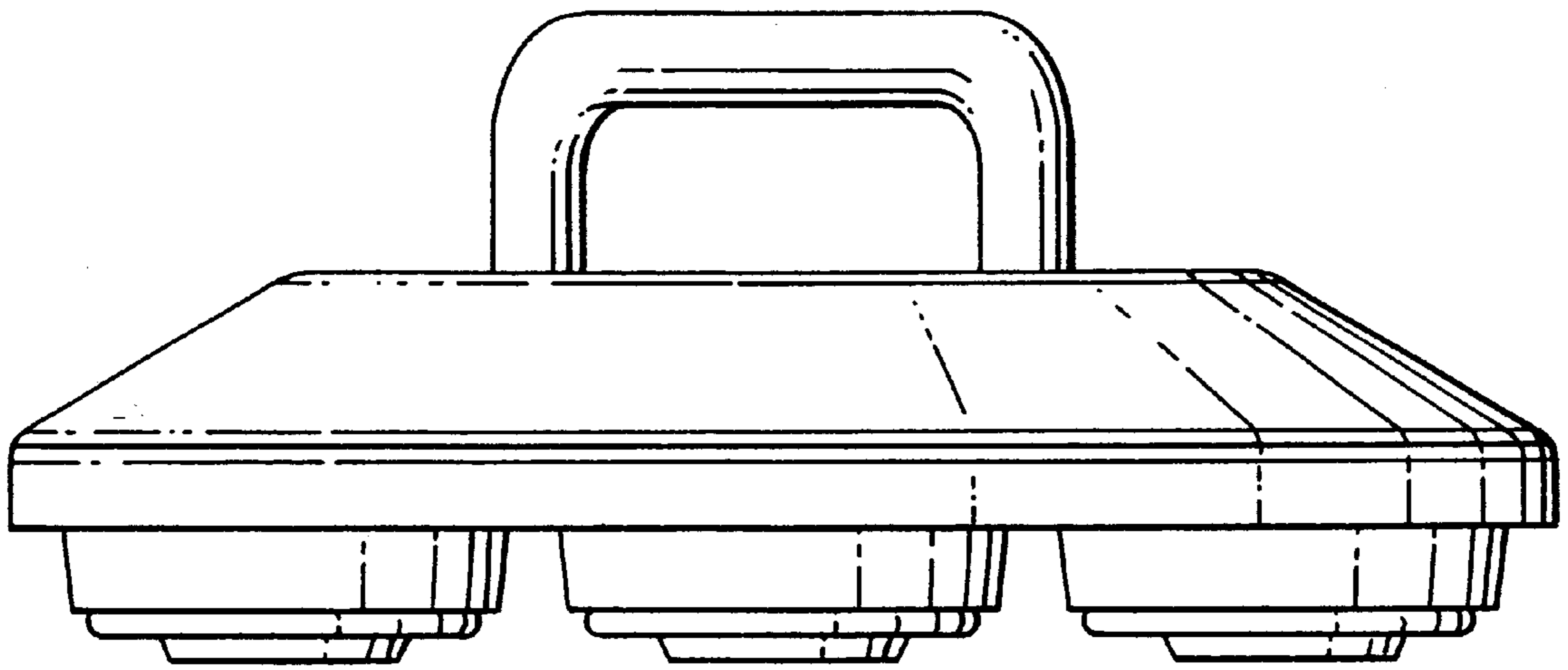


FIG. 3

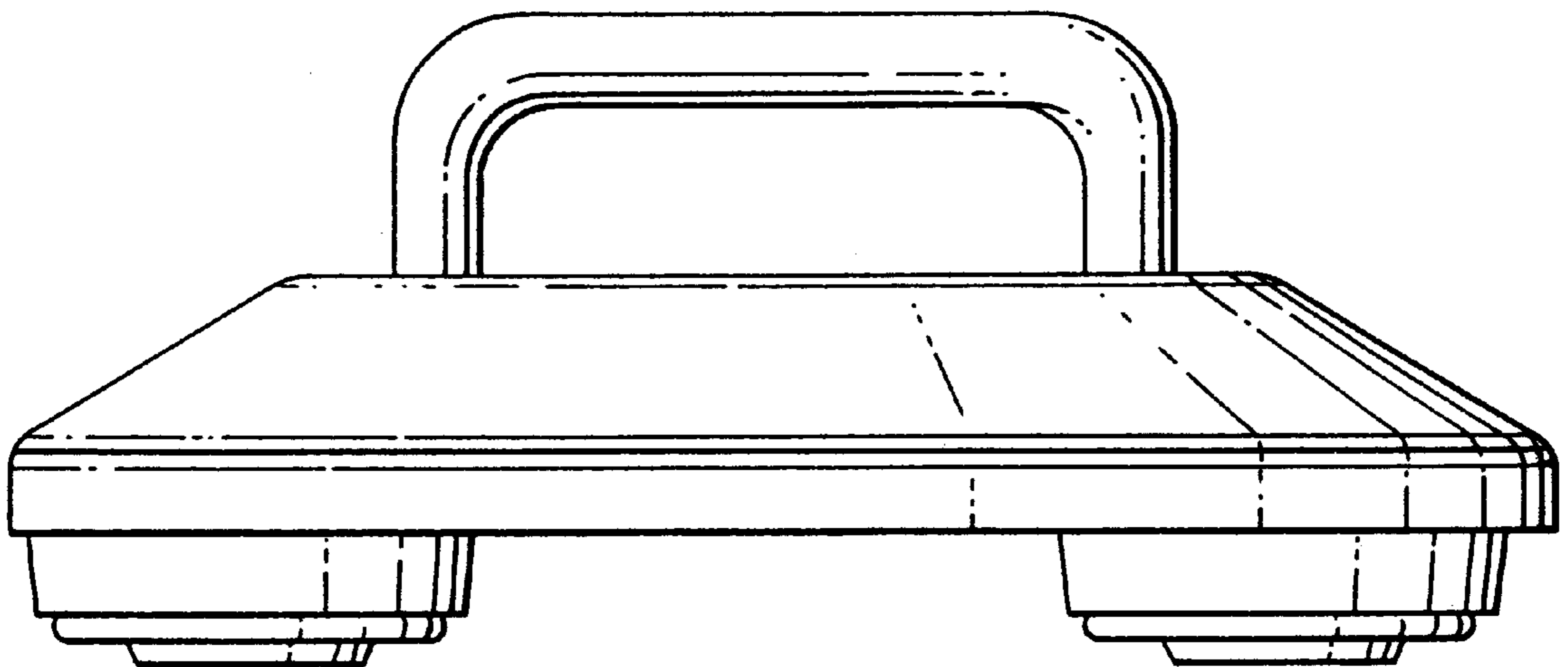


FIG. 4