



US00D447190B1

(12) **United States Design Patent**
Tse

(10) **Patent No.:** **US D447,190 S**

(45) **Date of Patent:** **** Aug. 28, 2001**

(54) **TOY MOTOR-CYCLE**

(75) **Inventor:** **Wai Keung Tse, Chaiwan (HK)**

(73) **Assignee:** **Wah Hing Toys Development Co., Ltd., Kowloon (HK)**

(**) **Term:** **14 Years**

(21) **Appl. No.:** **29/134,678**

(22) **Filed:** **Dec. 28, 2000**

(51) **LOC (7) Cl.** **21-01**

(52) **U.S. Cl.** **D21/432**

(58) **Field of Search** D21/419-435,
D21/538; D12/110, 112; 446/424, 425,
427, 433, 440, 454, 456, 457, 462, 465,
470; 280/1.13, 828, 87.01, 87.021, 282;
180/219

(56) **References Cited**

U.S. PATENT DOCUMENTS

- D. 277,771 * 2/1985 Takeuchi D21/432
- D. 336,316 * 6/1993 Pang et al. D21/432

- D. 346,833 * 5/1994 Klawitter D21/432
- D. 384,600 * 10/1997 Miwa et al. D12/110
- D. 397,739 * 9/1998 Liu D21/435
- 3,798,832 * 3/1974 Terian 446/440
- 4,484,649 * 11/1984 Kennedy 446/457

* cited by examiner

Primary Examiner—Raphael Barkai

(74) *Attorney, Agent, or Firm*—Leydig, Voit & Mayer, Ltd.

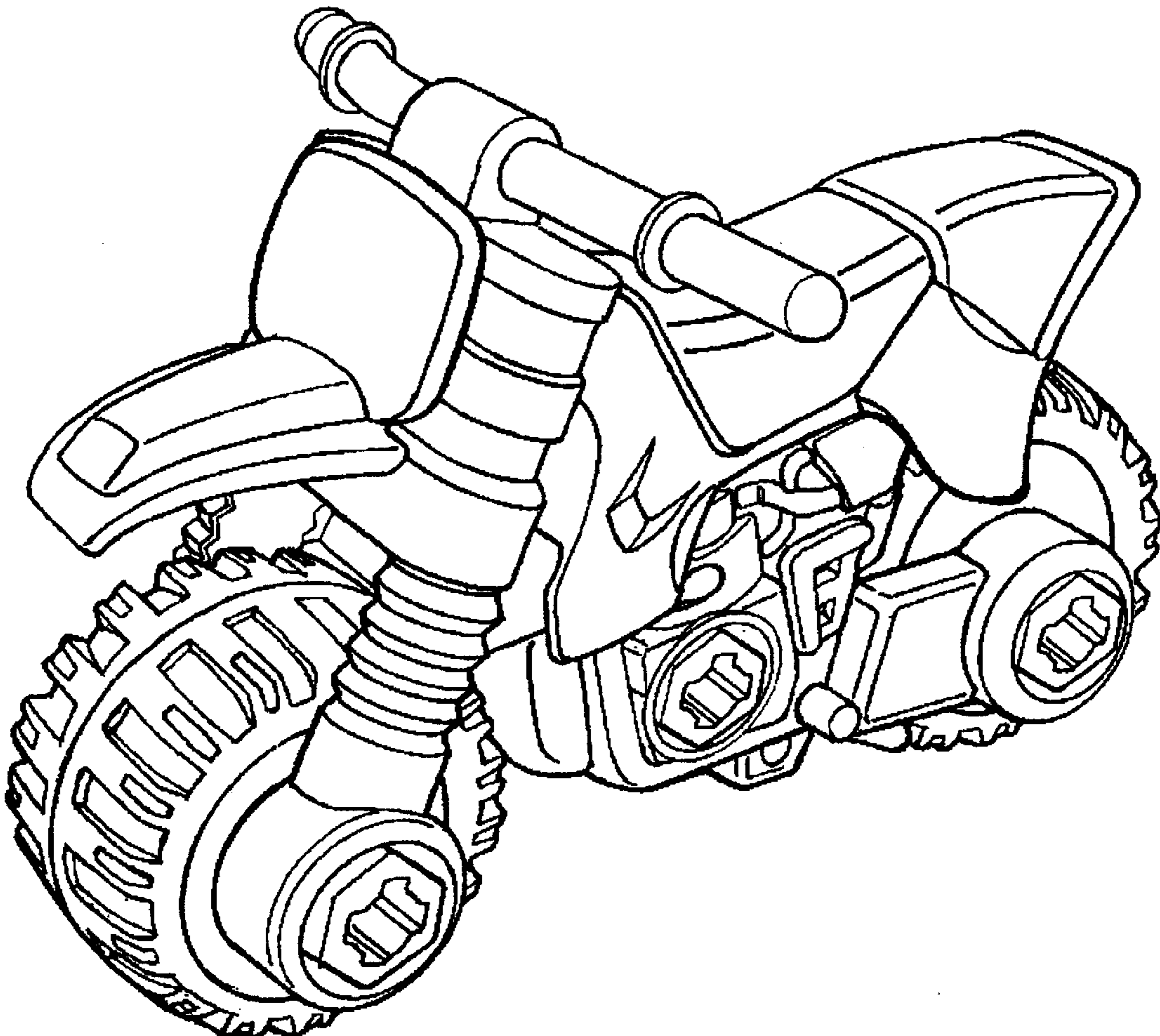
(57) **CLAIM**

The ornamental design for a toy motor-cycle, as shown and described.

DESCRIPTION

FIG. 1 is a front end, left side and top perspective view of a toy motor-cycle showing my new design;
 FIG. 2 is a front end elevational view thereof;
 FIG. 3 is a rear end elevational view thereof;
 FIG. 4 is a left side elevational view thereof;
 FIG. 5 is a right side elevational view thereof;
 FIG. 6 is a top plan view thereof; and,
 FIG. 7 is a bottom plan view thereof.

1 Claim, 7 Drawing Sheets



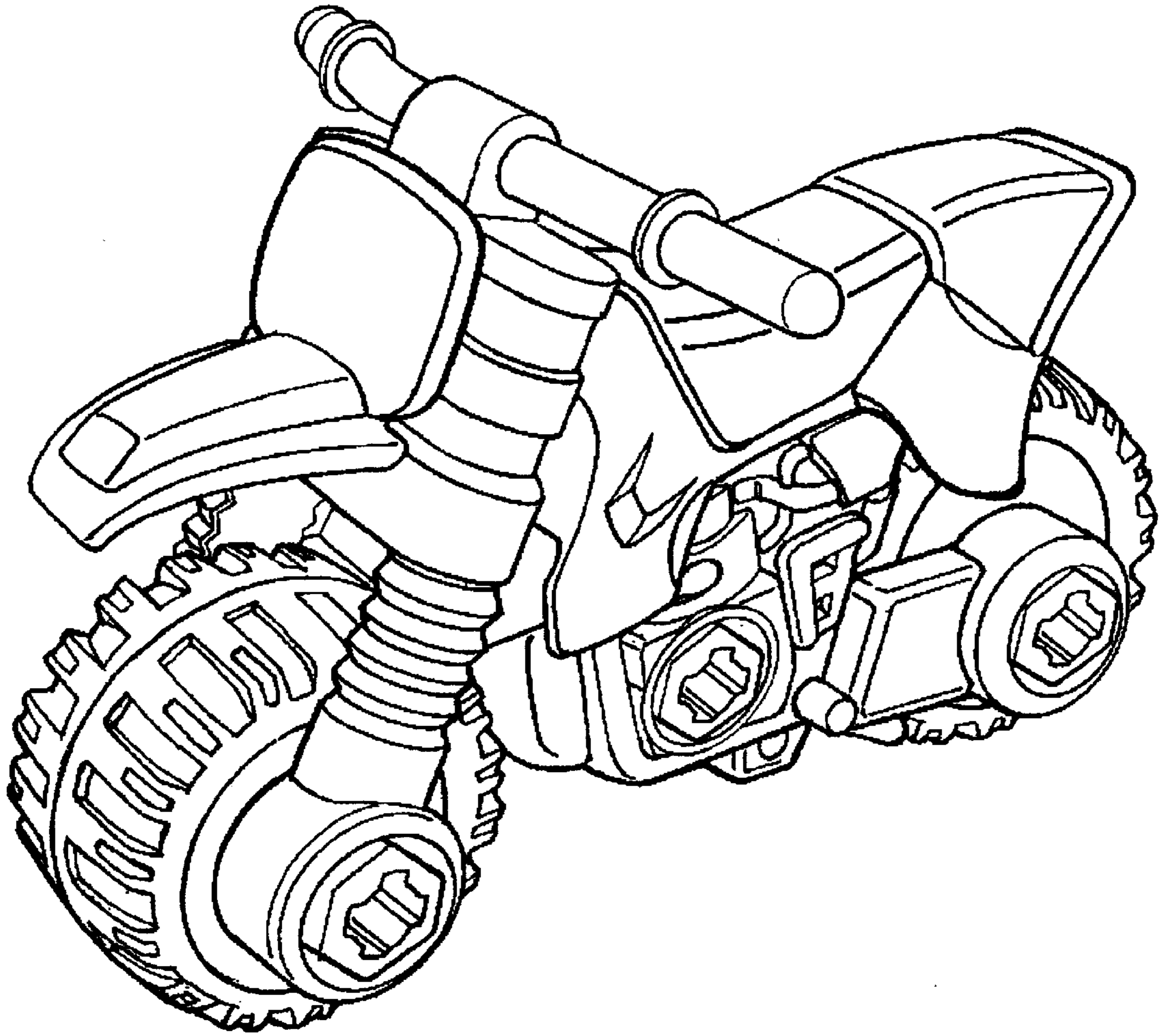


FIG. 1

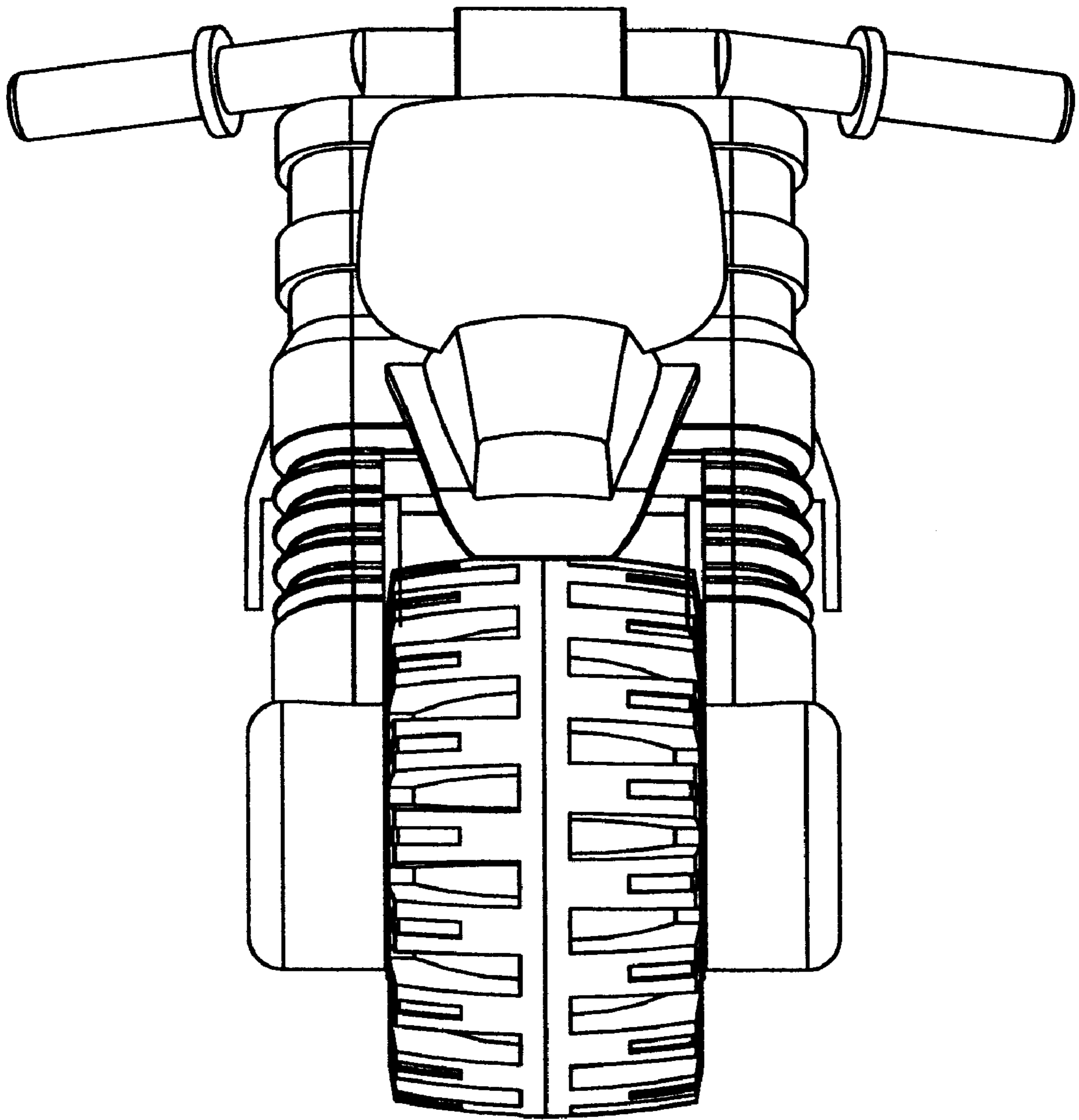


FIG. 2

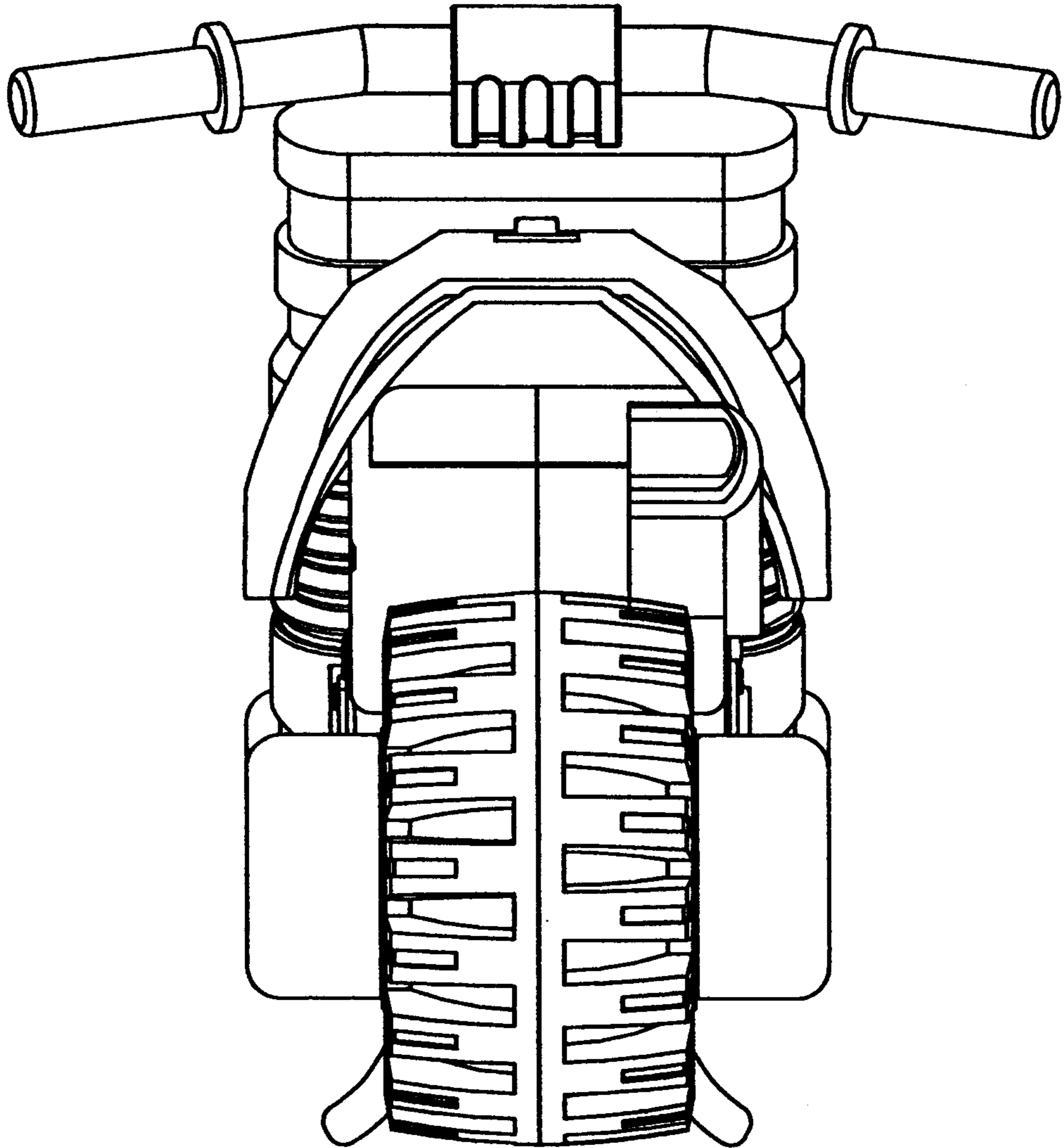


FIG. 3

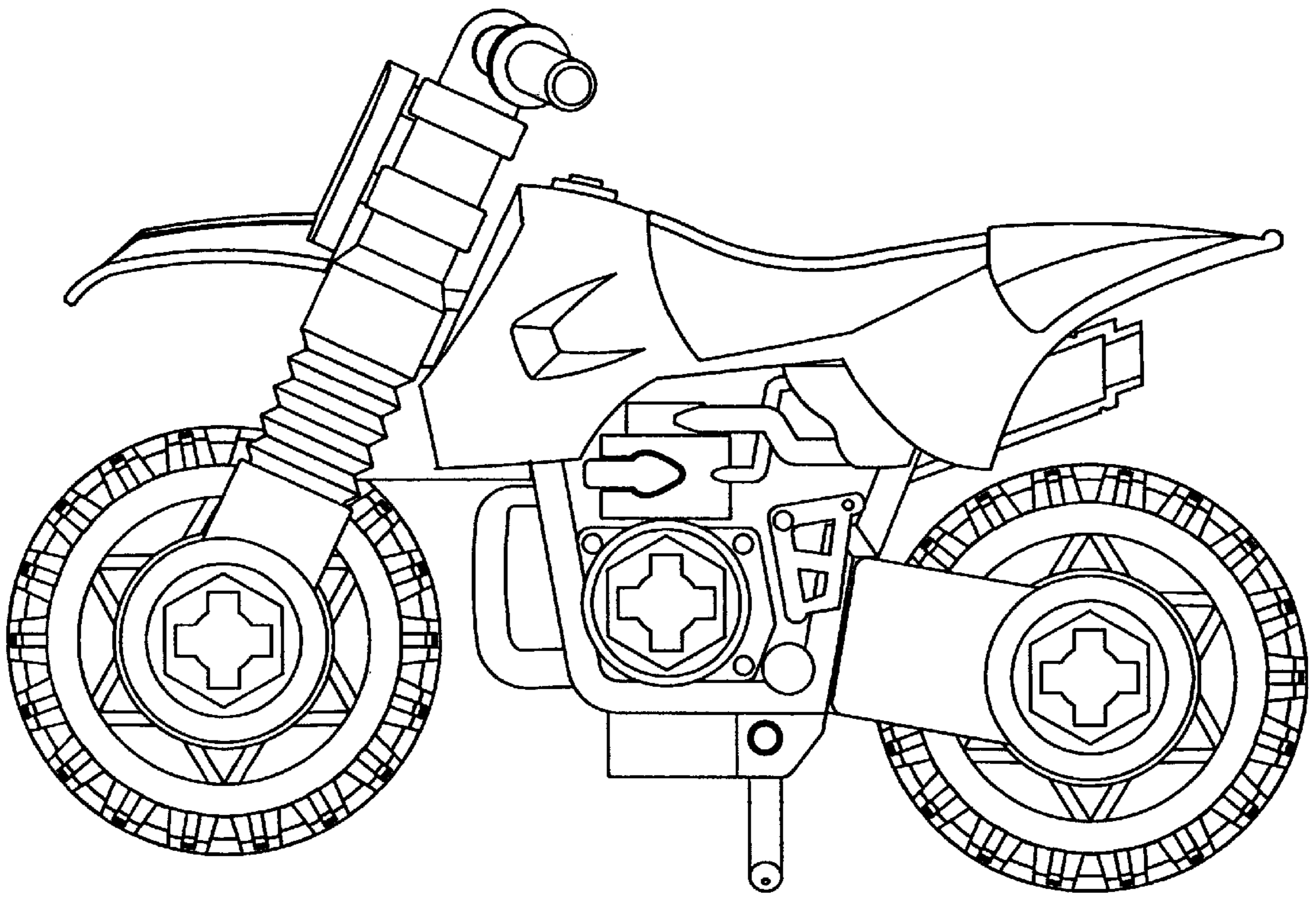


FIG. 4

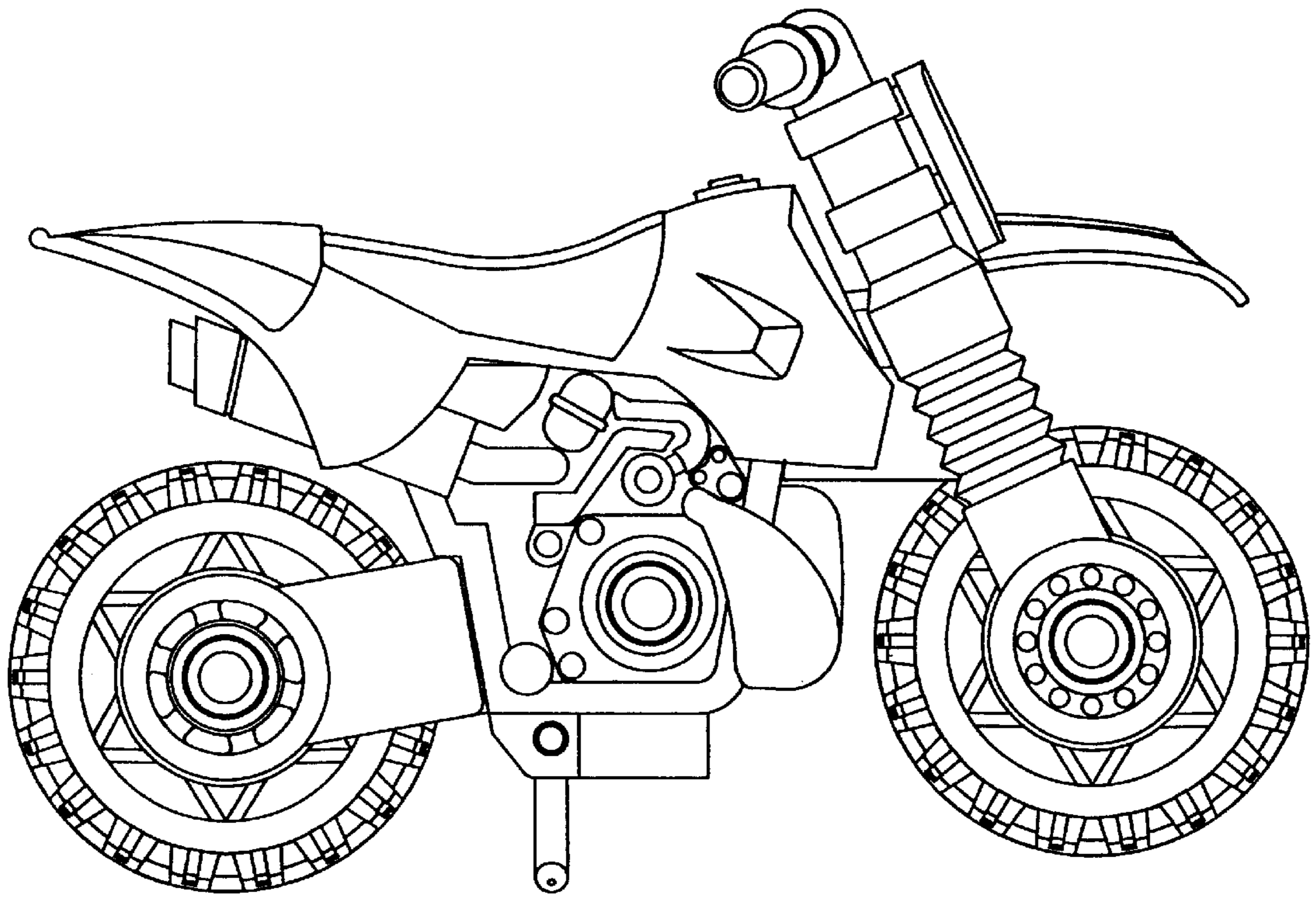


FIG. 5

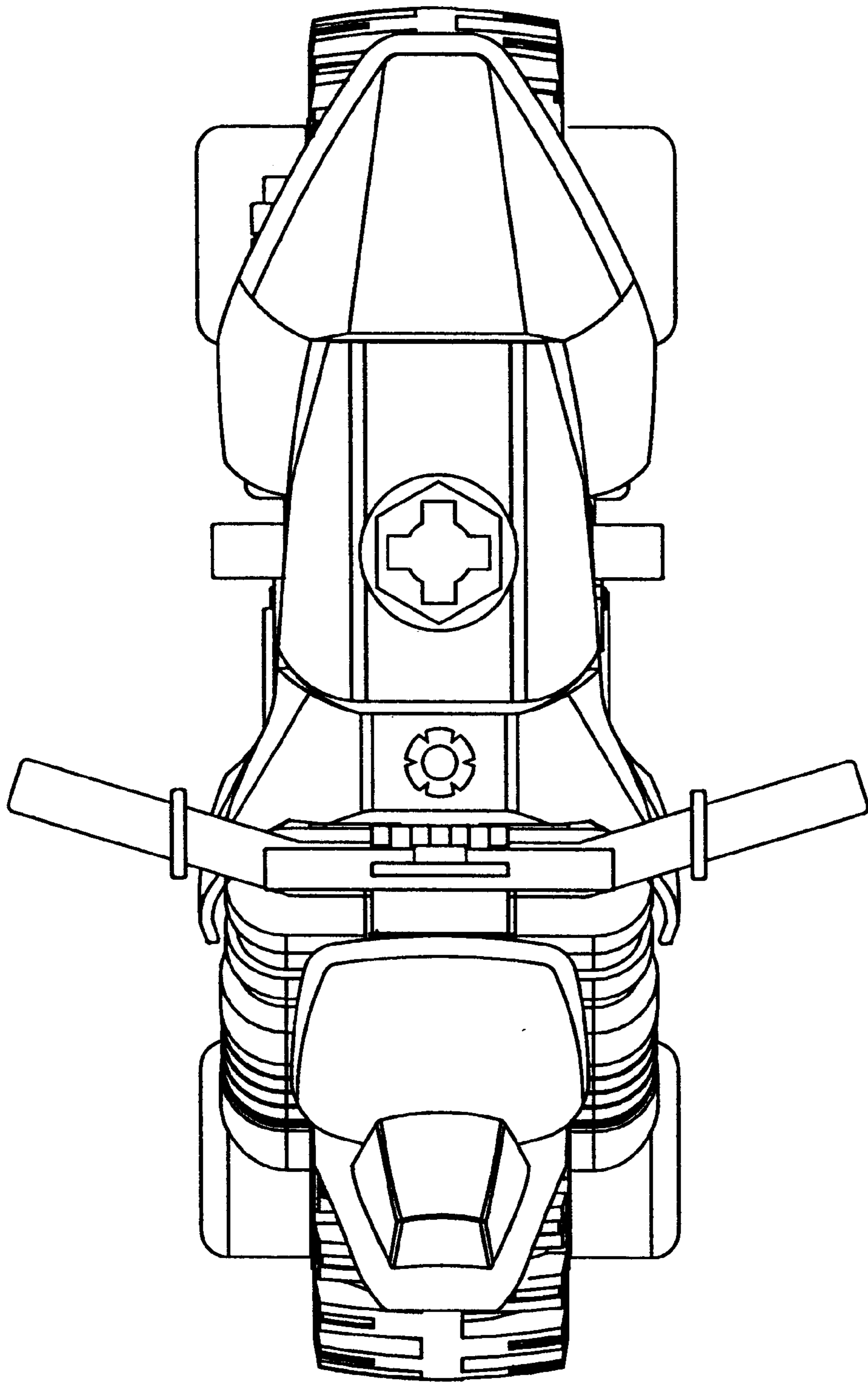


FIG. 6

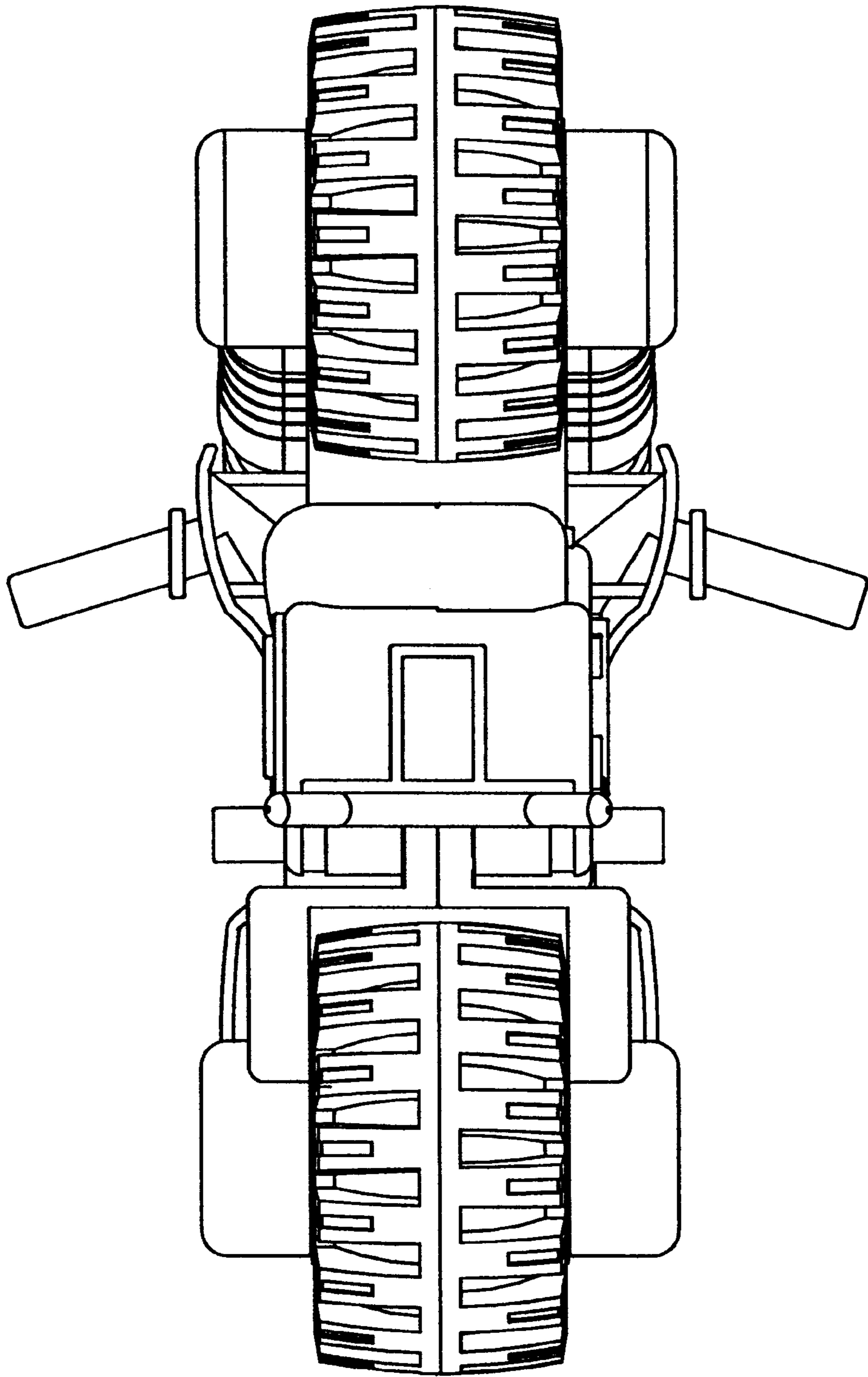


FIG. 7