



US00D447187B1

(12) **United States Design Patent**
Powers

(10) **Patent No.:** **US D447,187 S**

(45) **Date of Patent:** **** Aug. 28, 2001**

(54) **SCOOTER**

(76) **Inventor:** **Ronald H. Powers**, 828 Production Pl.
Uji-shi, Newport Beach, CA (US)
92663

(**) **Term:** **14 Years**

4,799,702	1/1989	Wang .	
4,911,457	3/1990	Ishikawa .	
5,192,089	3/1993	Taylor .	
5,470,089	11/1995	Whitson et al. .	
5,927,733	7/1999	Banda .	
5,992,864	11/1999	Dickson et al. .	
6,173,976 *	1/2001	Lee	280/87.041

* cited by examiner

(21) **Appl. No.:** **29/130,769**

(22) **Filed:** **Oct. 9, 2000**

(51) **LOC (7) Cl.** **21-01**

(52) **U.S. Cl.** **D21/423**

(58) **Field of Search** D21/419, 421,
D21/423, 424, 426, 435, 533, 760, 765,
771; D12/107, 110-112; 280/87.01, 87.04,
87.041, 87.042, 87.05; 180/180, 181, 216,
219

Primary Examiner—Raphael Barkai
(74) *Attorney, Agent, or Firm*—Lynn & Lynn

(57) **CLAIM**

I claim the ornamental design for a scooter, as shown and described.

DESCRIPTION

FIG. 1 is a perspective view of my new design taken from the upper rear right side thereof;
FIG. 2 is a perspective view of my design taken from the upper front right side thereof;
FIG. 3 is a right side elevation of my new design;
FIG. 4 is a front elevation view showing my new design;
FIG. 5 is a rear elevation view showing my new design;
FIG. 6 is a top plan view of my new design; and,
FIG. 7 is a bottom plan view of my new design.
The left side elevation view is identical to the right side elevation.

(56) **References Cited**

U.S. PATENT DOCUMENTS

D. 435,873 *	1/2001	Lee	D21/423
D. 435,874 *	1/2001	Cheng	D21/423
D. 438,911 *	3/2001	Chen	D21/423
D. 438,912 *	3/2001	Barrera	D21/423
4,204,698	5/1980	Mihalik .	
4,540,192	9/1985	Shelton .	
4,555,122	11/1985	Harvey .	
4,761,014	8/1988	Huang .	
4,799,701	1/1989	Lindau et al. .	

1 Claim, 4 Drawing Sheets

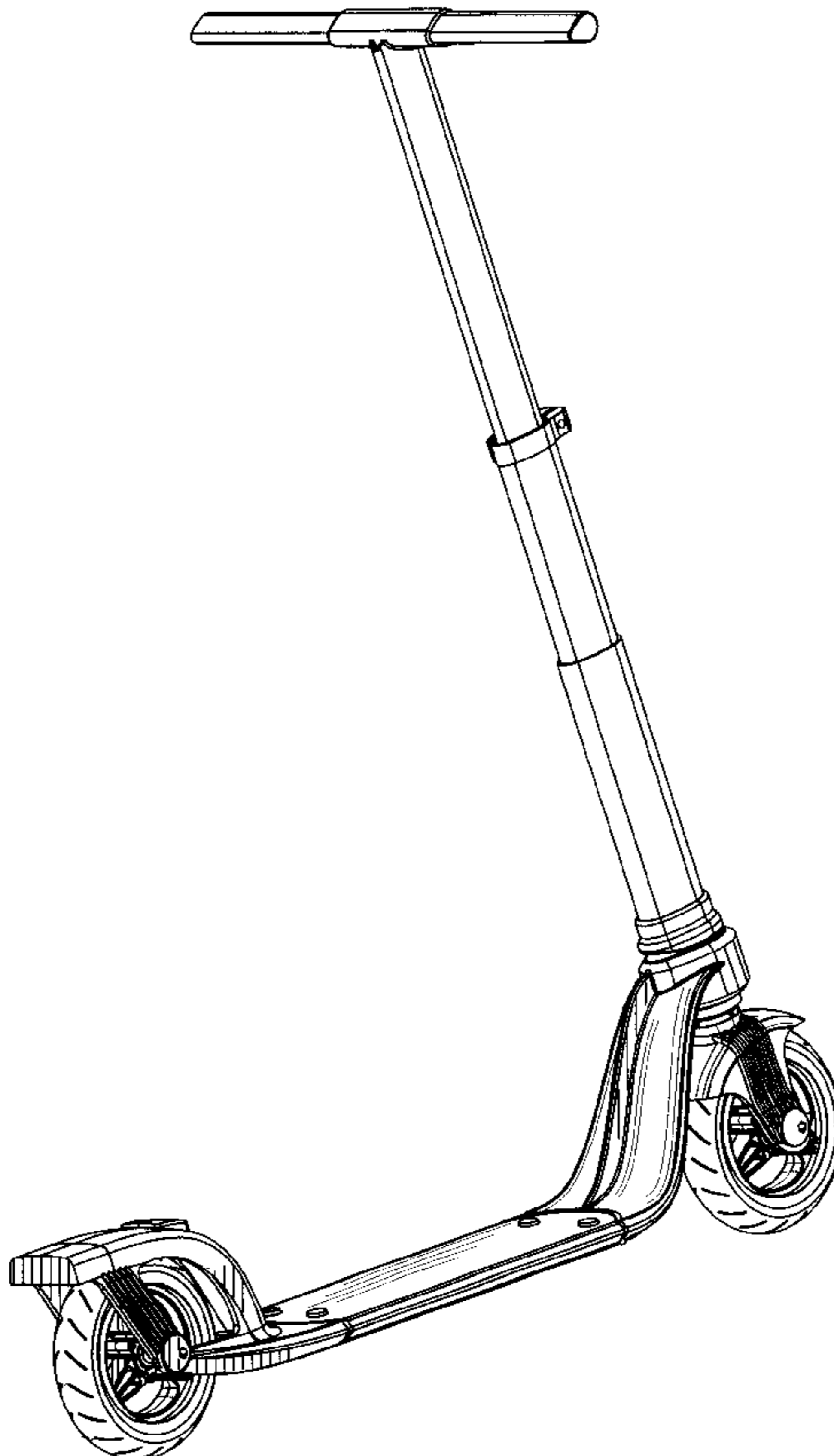


FIG. 7

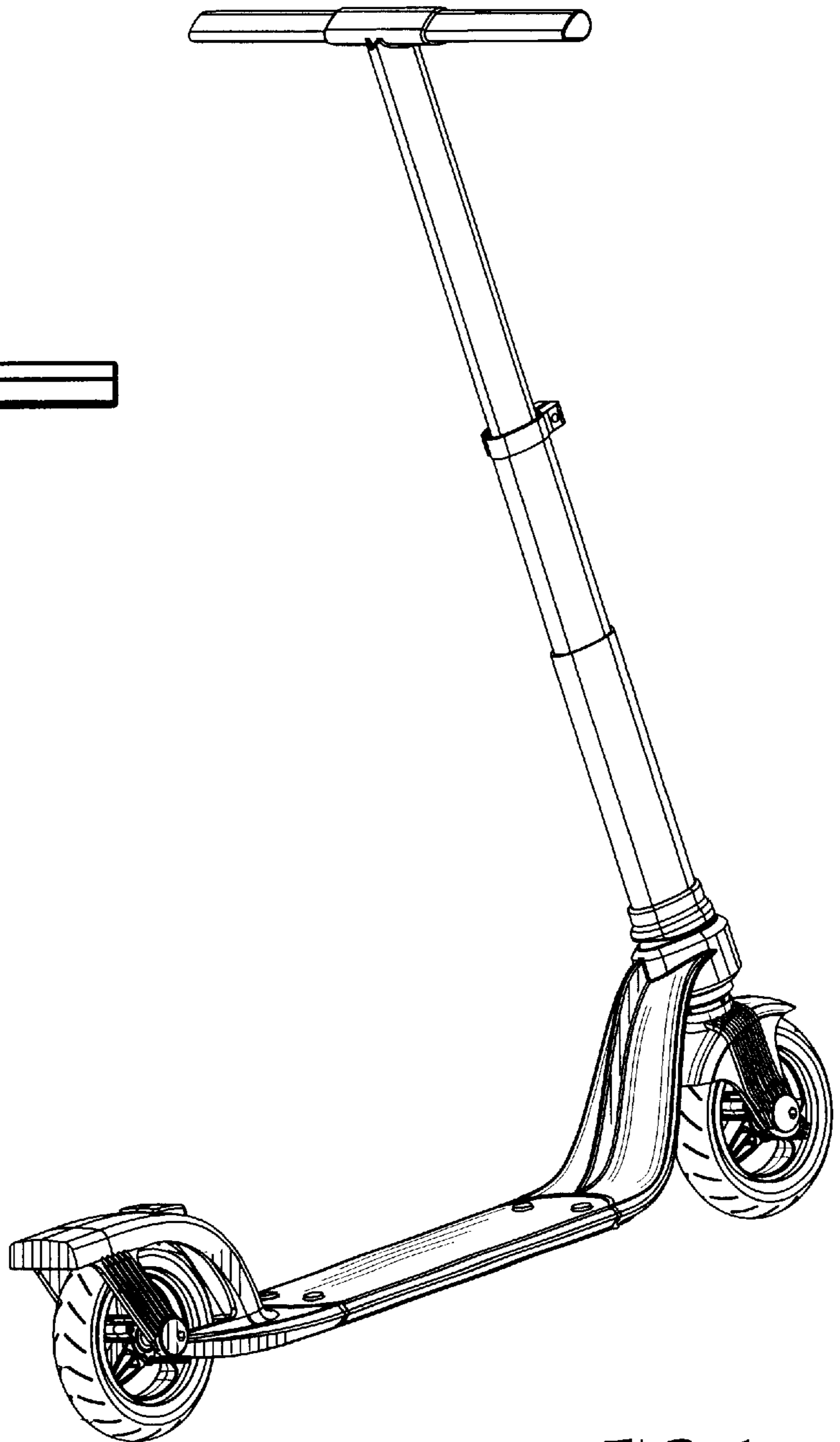
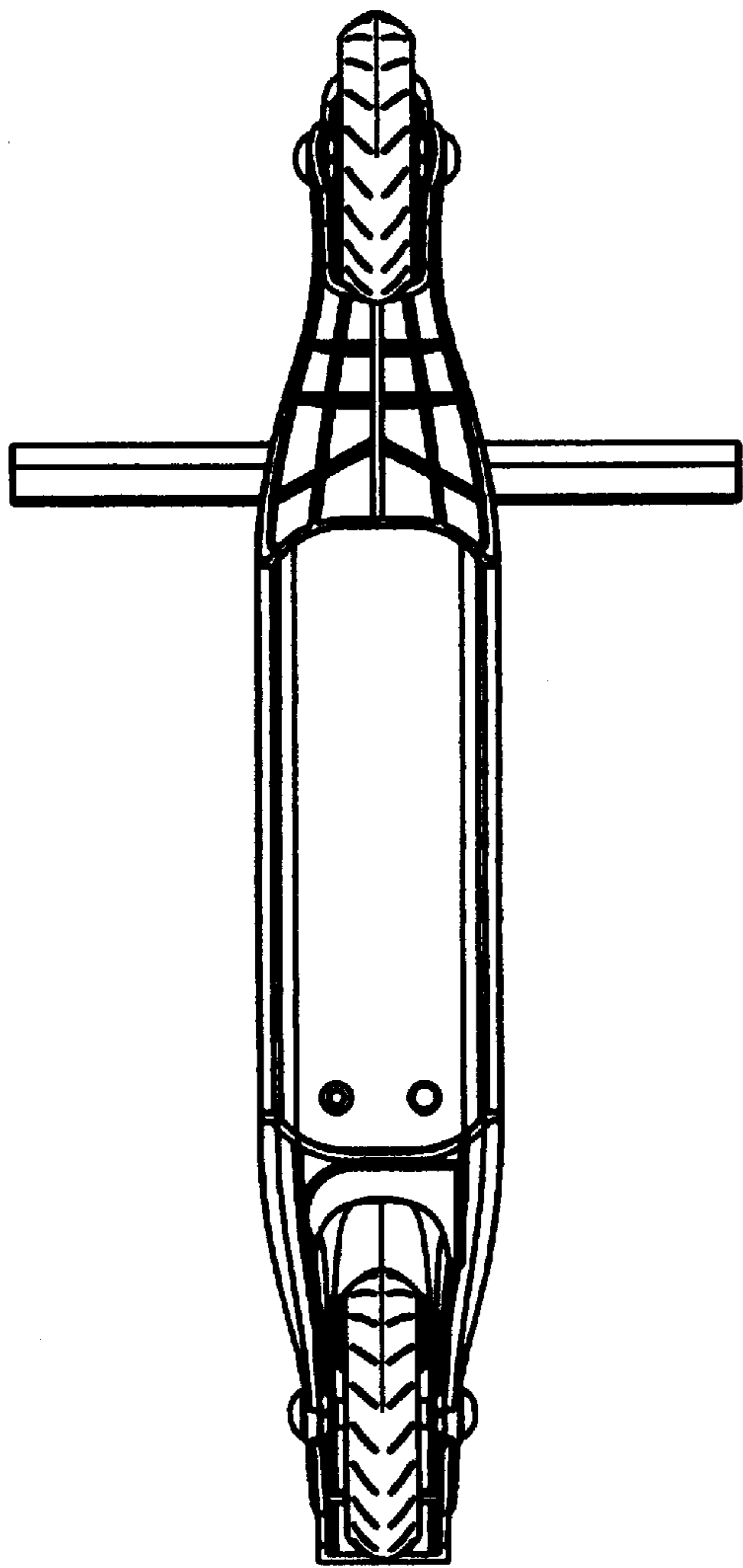


FIG. 1

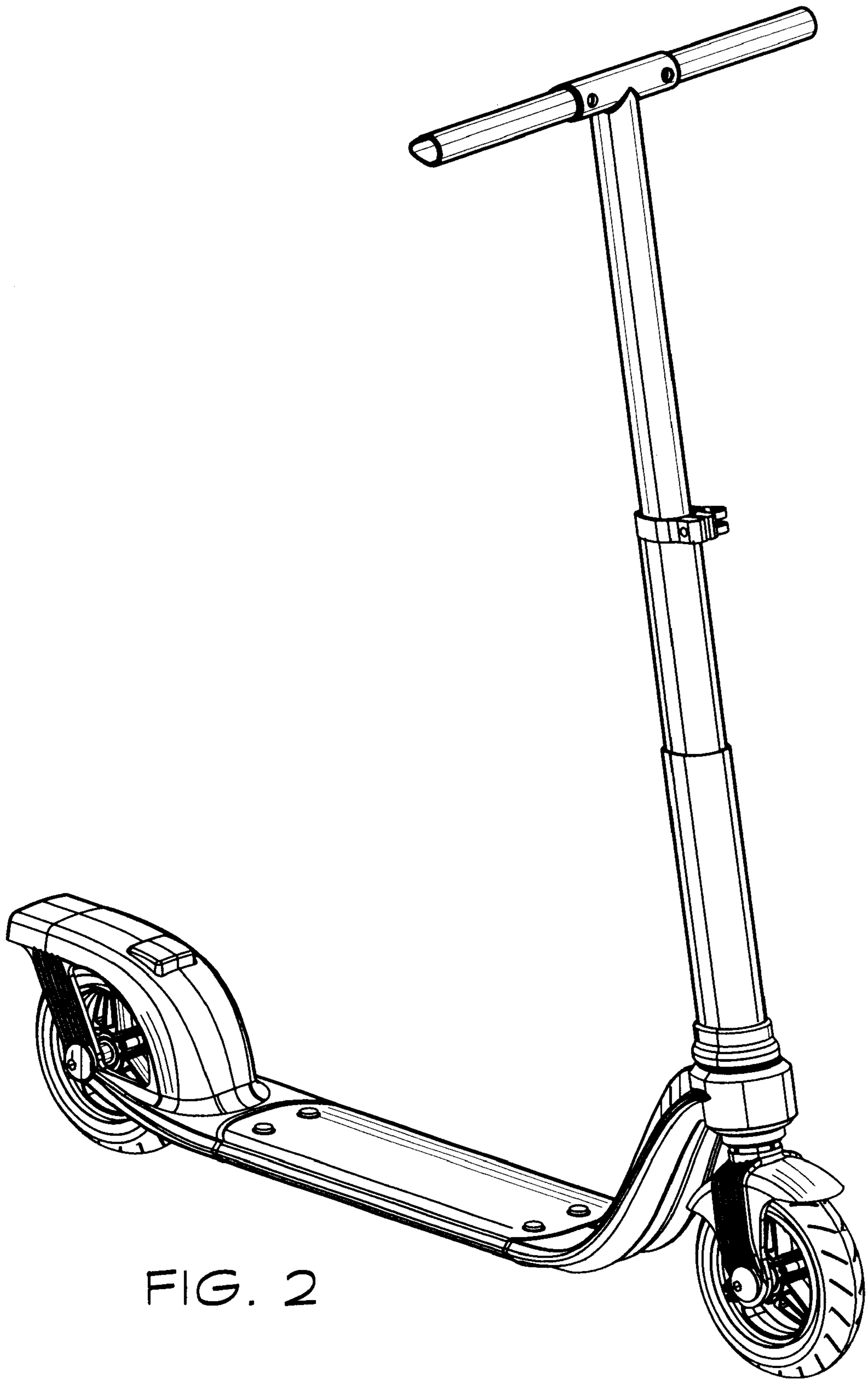


FIG. 2

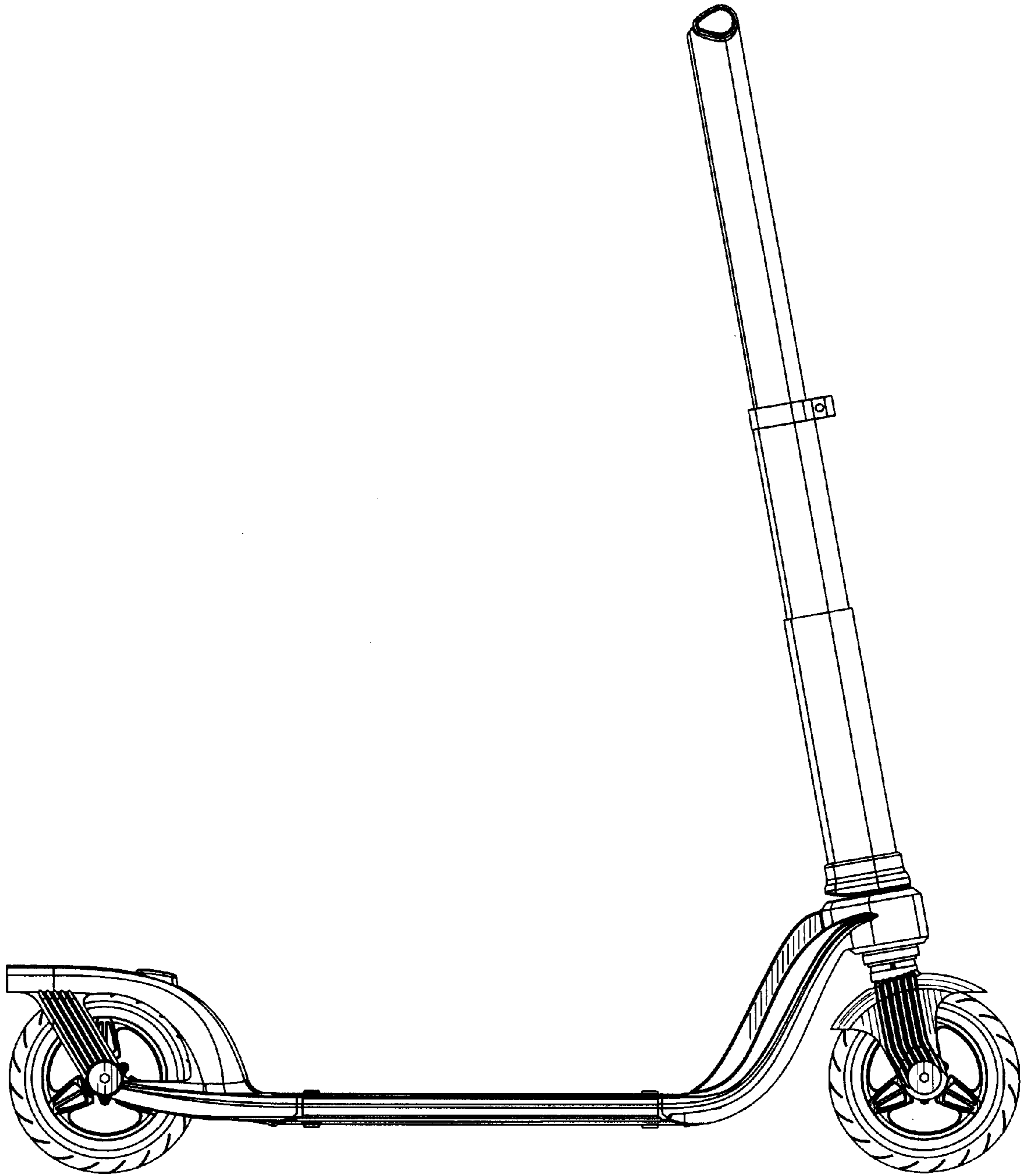


FIG. 3

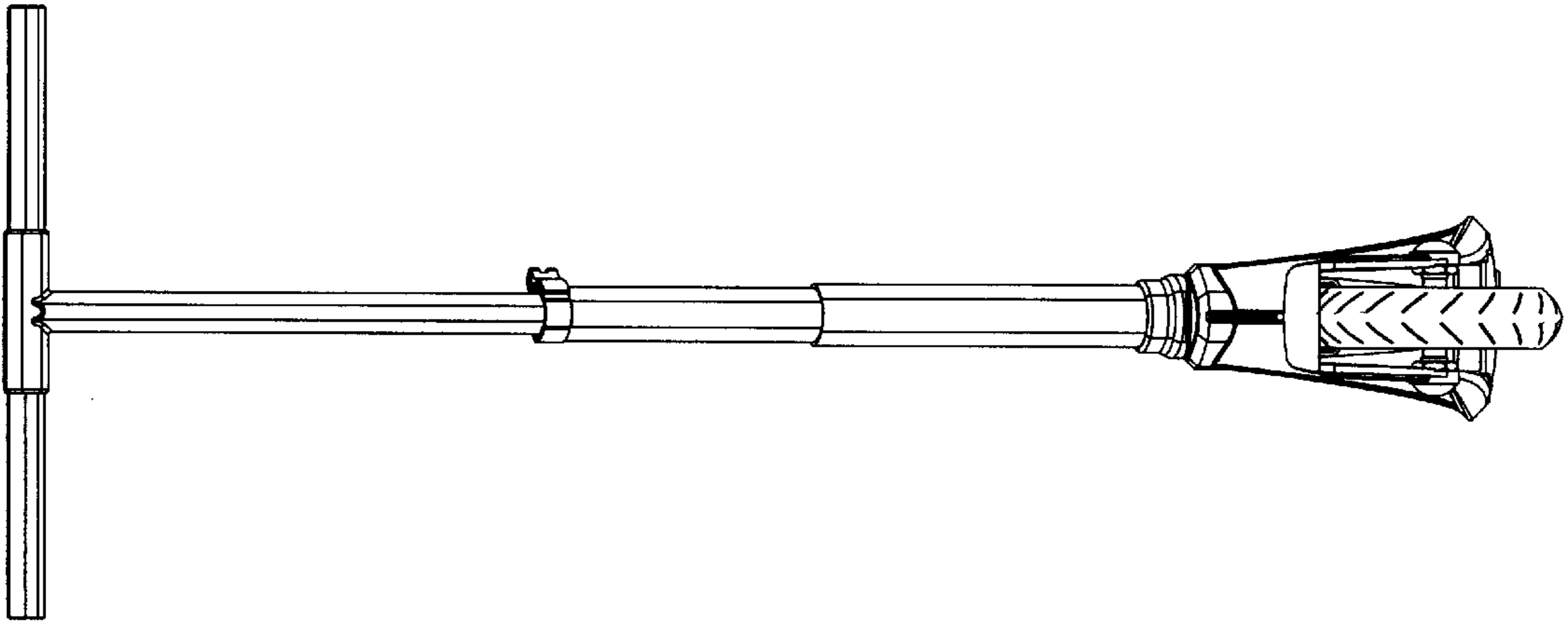


FIG. 5

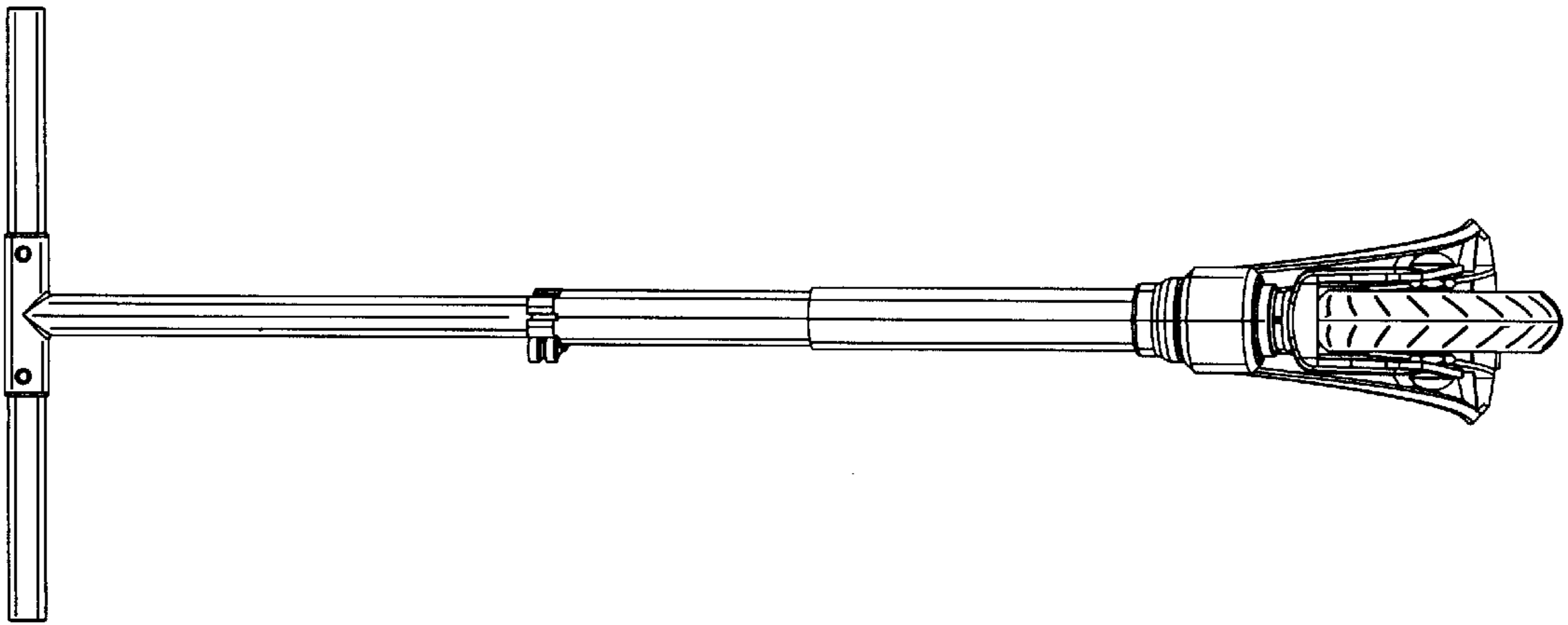


FIG. 4

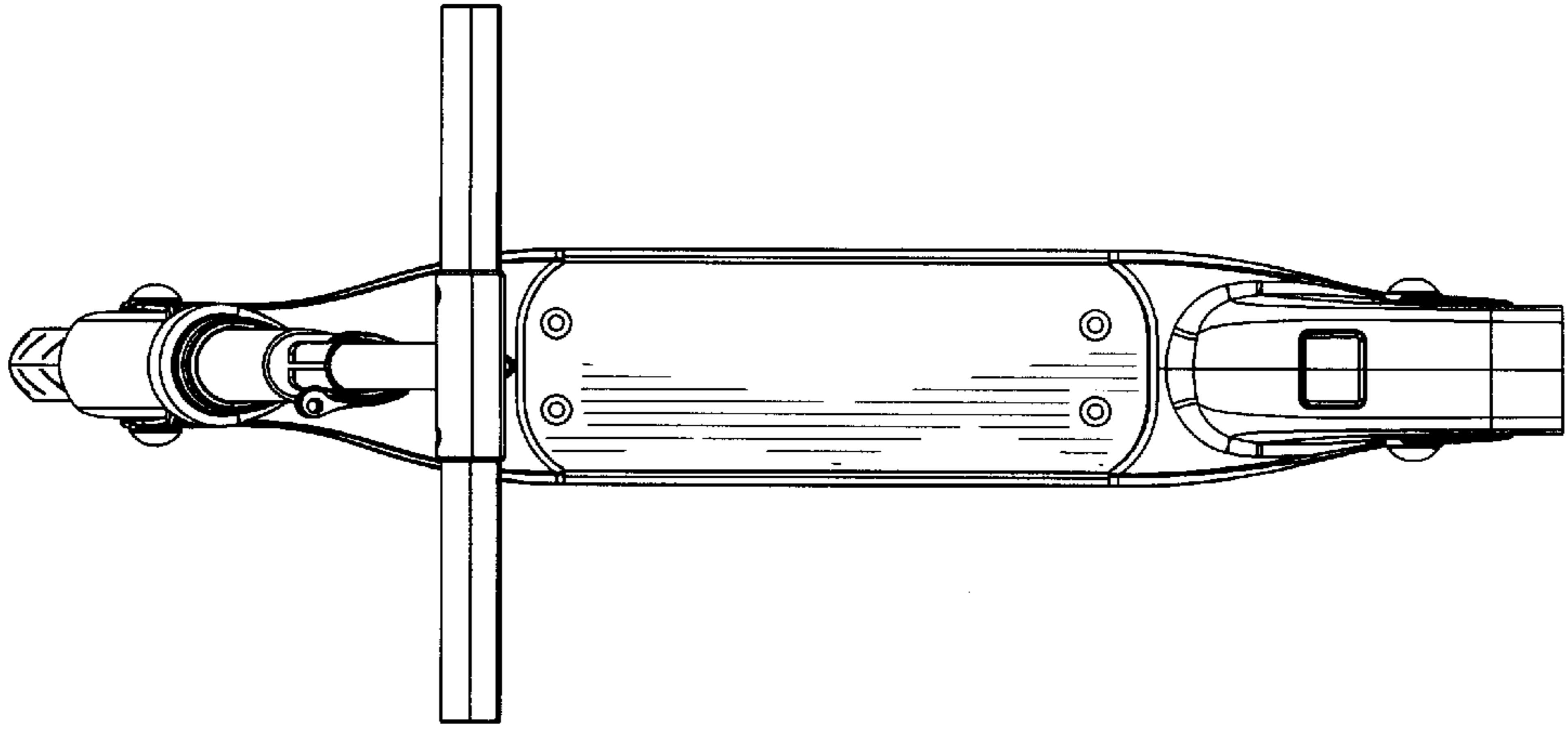


FIG. 6