



US00D447174B1

(12) **United States Design Patent**
Kamiyama

(10) **Patent No.:** **US D447,174 S**

(45) **Date of Patent:** **** Aug. 28, 2001**

(54) **FELT PEN**

(75) Inventor: **Takeyuki Kamiyama**, Nagoya (JP)

(73) Assignee: **Shachihata Inc.**, Nagoya (JP)

(**) Term: **14 Years**

(21) Appl. No.: **29/134,743**

(22) Filed: **Dec. 29, 2000**

(30) **Foreign Application Priority Data**

Jun. 30, 2000 (JP) 12-017782

(51) **LOC (7) Cl.** **19-06**

(52) **U.S. Cl.** **D19/43; D19/50; D19/51;**
D19/57

(58) **Field of Search** **D19/35, 36, 41-51,**
D19/53-58, 81-85; 401/196-202, 243-247,
260-262

(56) **References Cited**

U.S. PATENT DOCUMENTS

D. 155,532	*	10/1949	Morrison	D19/48
D. 319,844		9/1991	Grotsch et al.	.	
D. 320,618	*	10/1991	Grotsch	D19/48
D. 330,565	*	10/1992	Dallaire	D19/48
D. 337,786	*	7/1993	Melnick	D19/48
D. 342,546	*	12/1993	Song	D19/50
D. 345,577	*	3/1994	Hohner	D19/48
D. 378,761	*	4/1997	Sekine	D19/48
D. 428,441	*	7/2000	Isobe et al.	D19/53
4,915,529	*	4/1990	List	401/202

* cited by examiner

Primary Examiner—Martie K. Holtje

(74) *Attorney, Agent, or Firm*—Jacobson Holman, PLLC

(57) **CLAIM**

The ornamental design for a felt pen, as shown and described.

DESCRIPTION

FIG. 1 is a top, left front perspective view of a felt pen showing my new design;

FIG. 2 is a left side elevational view, the right side being a mirror image thereof;

FIG. 3 is a front elevational view thereof;

FIG. 4 is a rear elevational view thereof;

FIG. 5 is a bottom plan view thereof;

FIG. 6 is a top plan view thereof;

FIG. 7 is a cross-sectional view taken in the direction of arrows 7—7 in FIG. 3;

FIG. 8 is a perspective view in an exploded condition;

FIG. 9 is typical side elevational view of the pen body with the cap member removed for ease of illustration, all other sides being identical thereto;

FIG. 10 is a top plan view of FIG. 9;

FIG. 11 is a bottom plan view of FIG. 9;

FIG. 12 is a side elevational view of the cap member shown separately for ease of illustration, the opposite side being a mirror image thereof;

FIG. 13 is a front elevational view of FIG. 12;

FIG. 14 is a rear elevational view of FIG. 12;

FIG. 15 is a top plan view of FIG. 12; and,

FIG. 16 is a bottom plan view of FIG. 12.

1 Claim, 4 Drawing Sheets

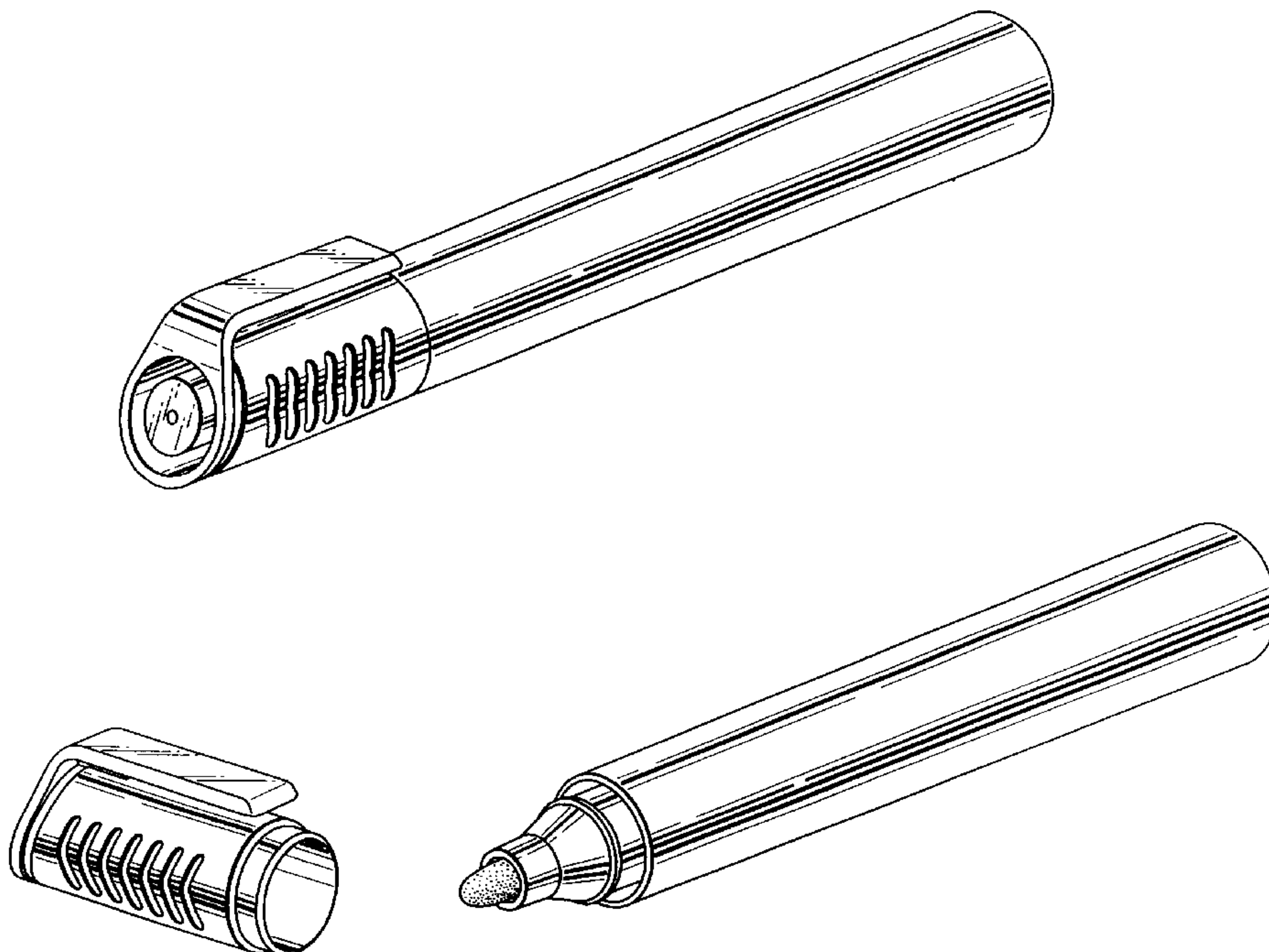


FIG. 1

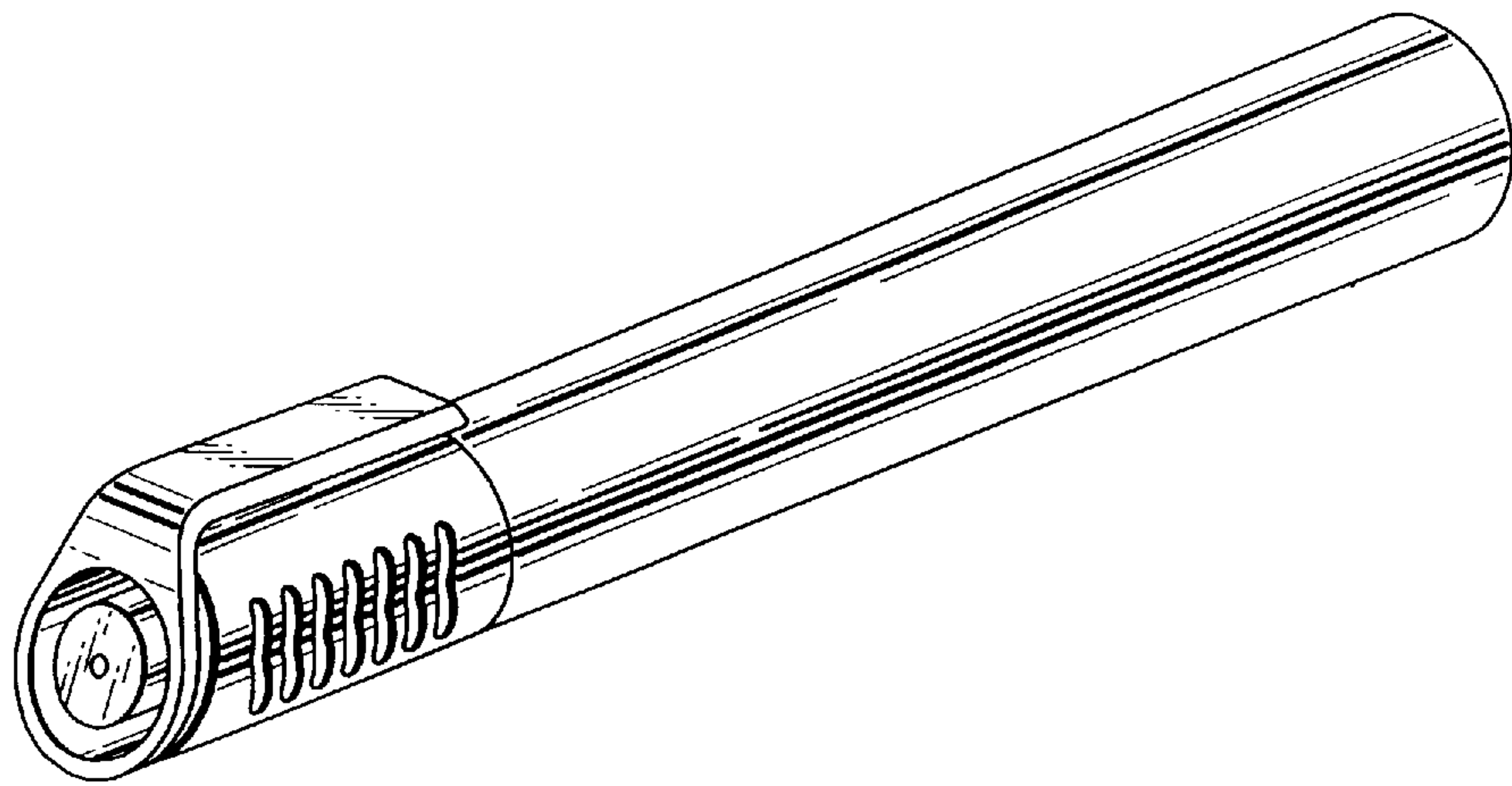


FIG. 2

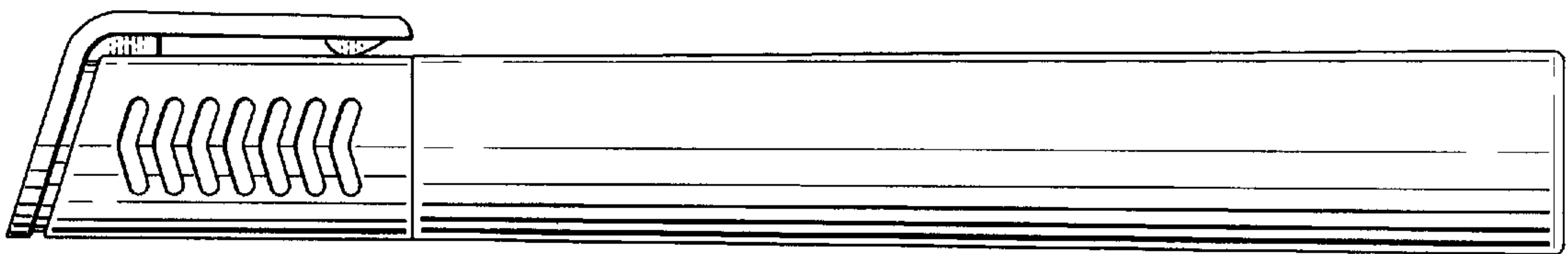


FIG.3

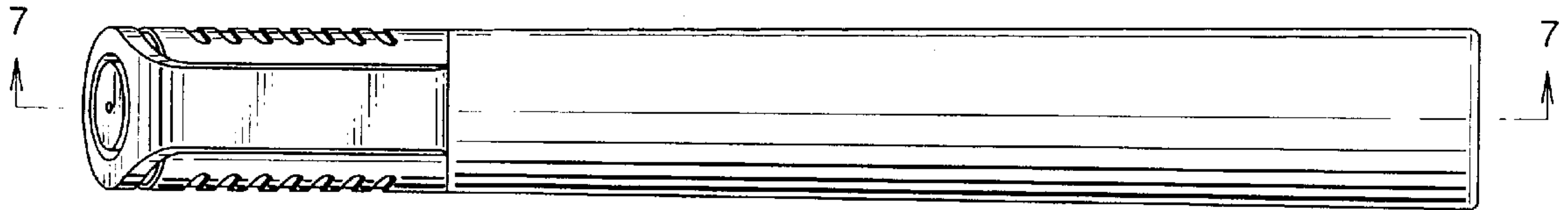


FIG.4

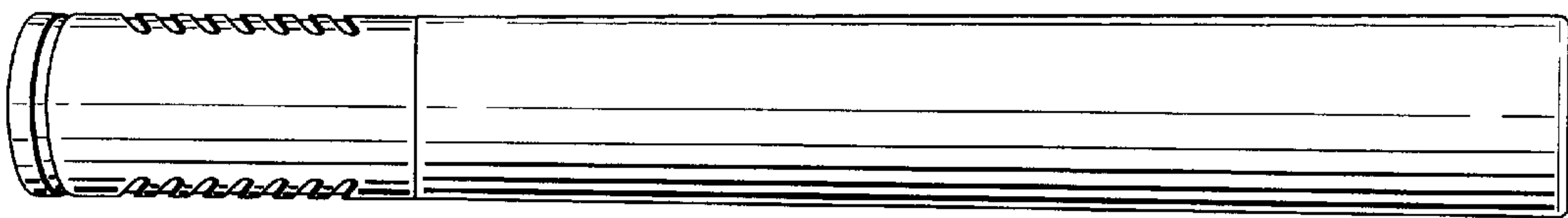


FIG.5

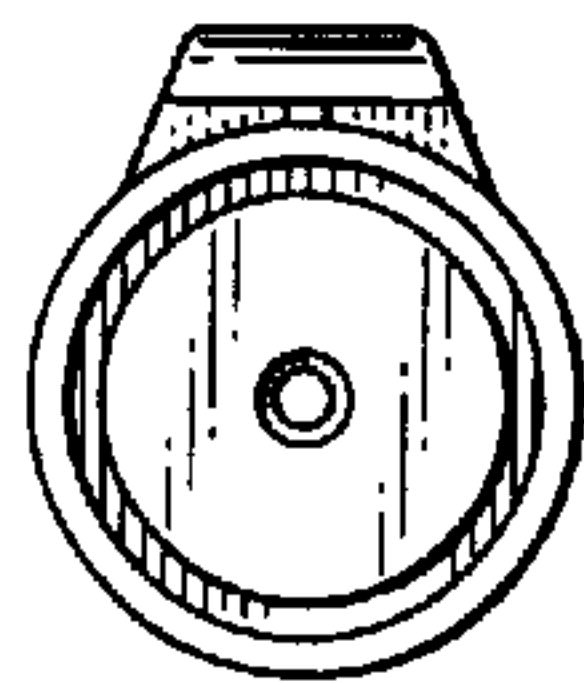


FIG.6

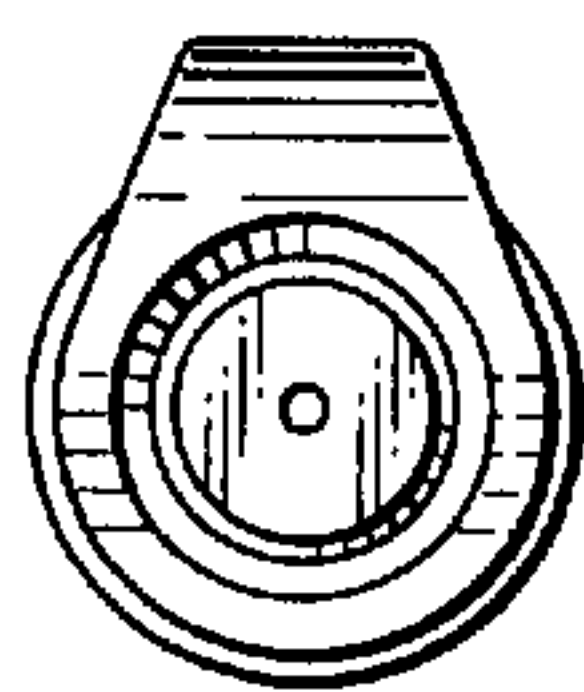


FIG. 7

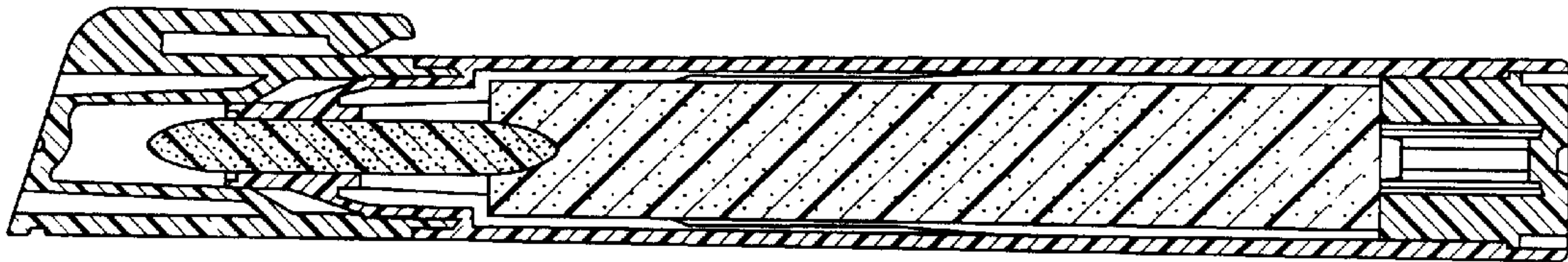


FIG. 8

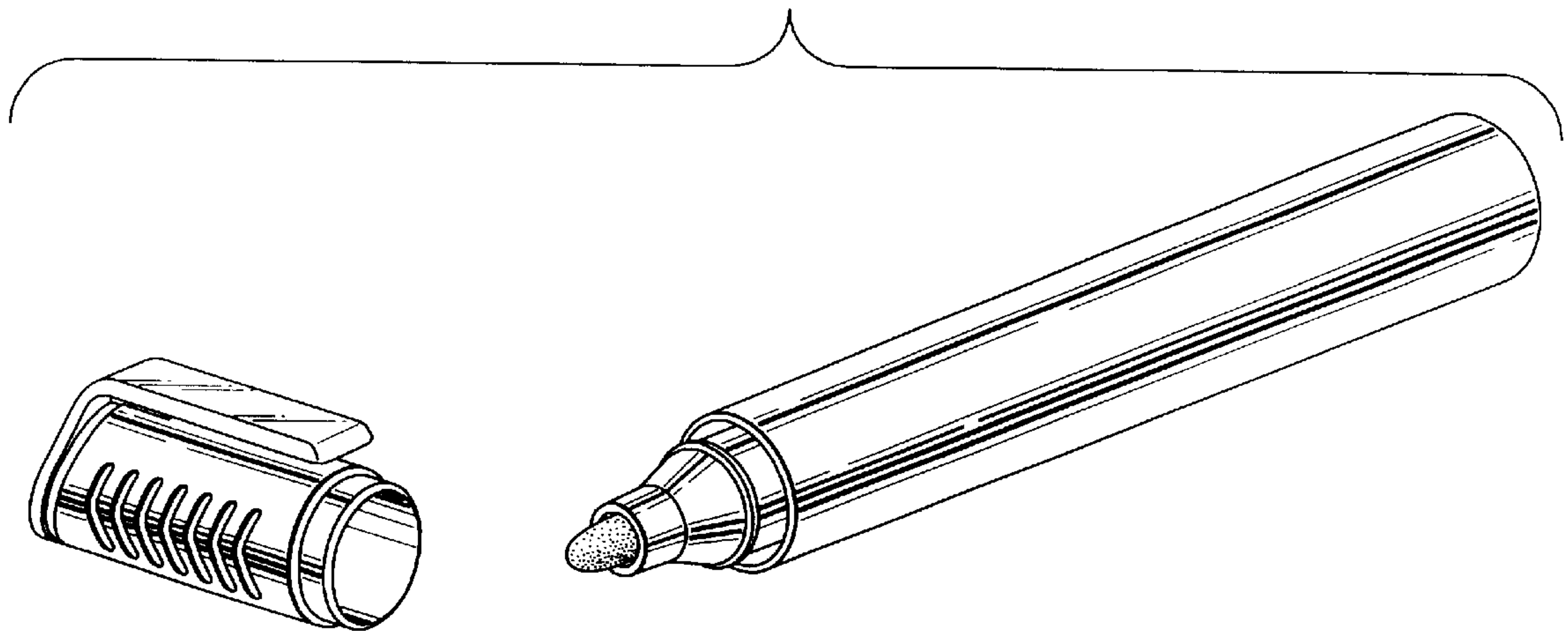


FIG. 9

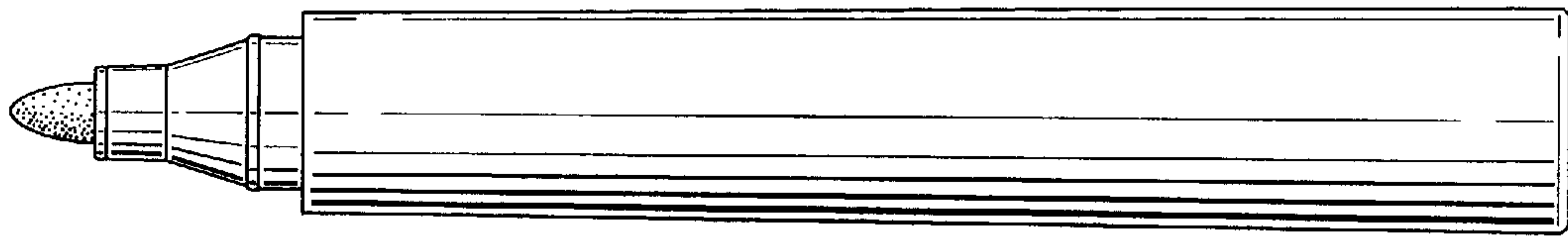


FIG. 10

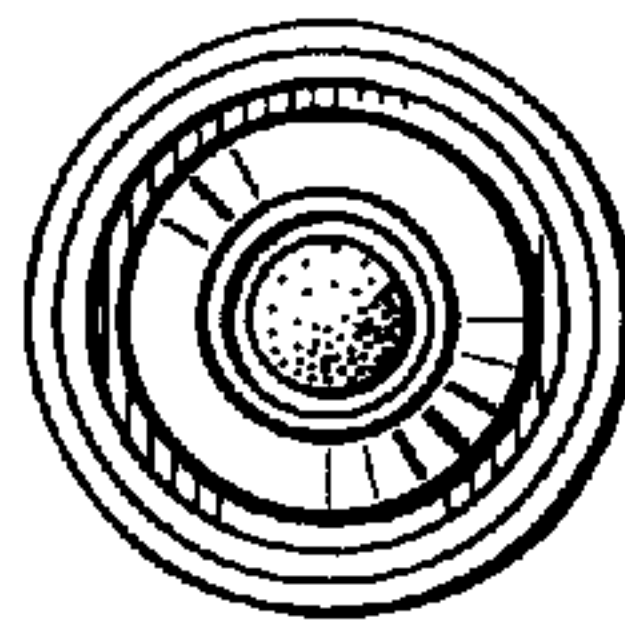


FIG. 11

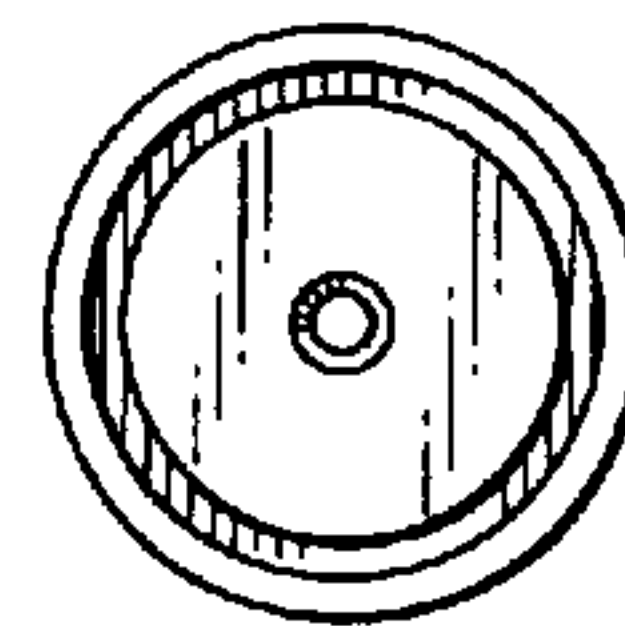


FIG. 12

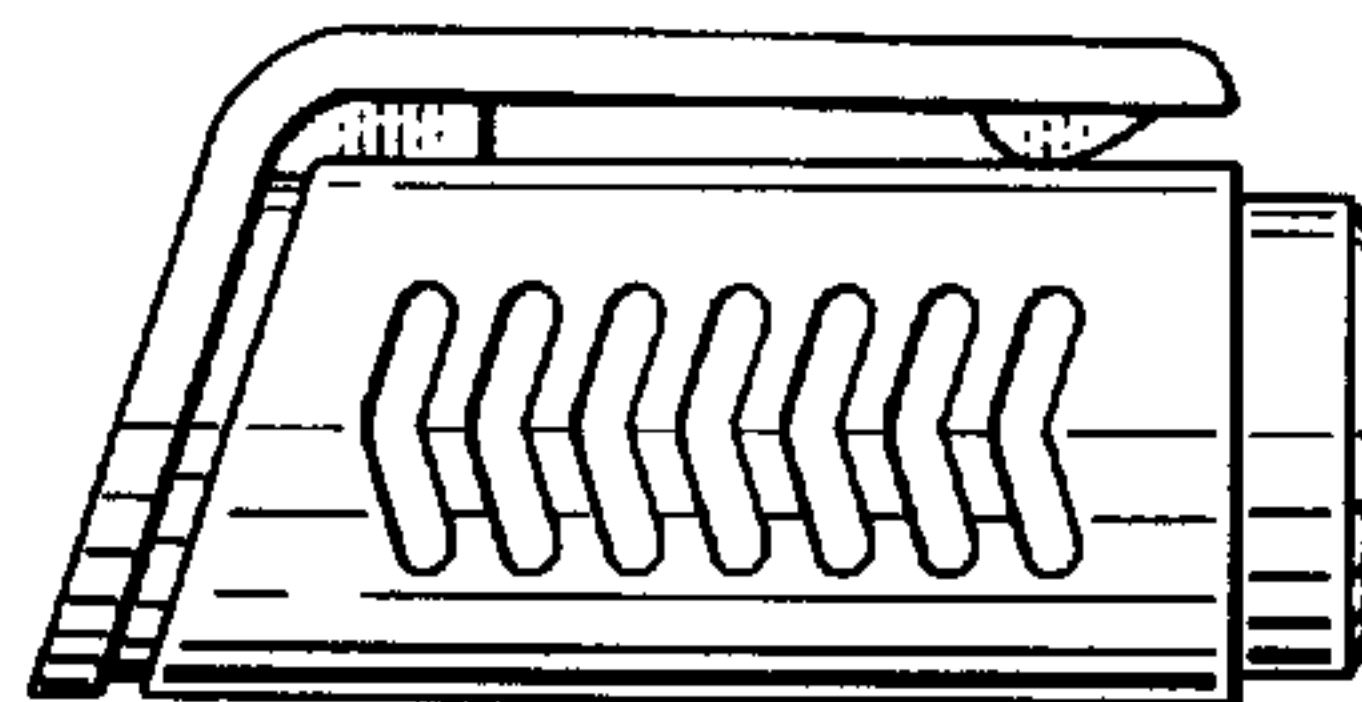


FIG. 15

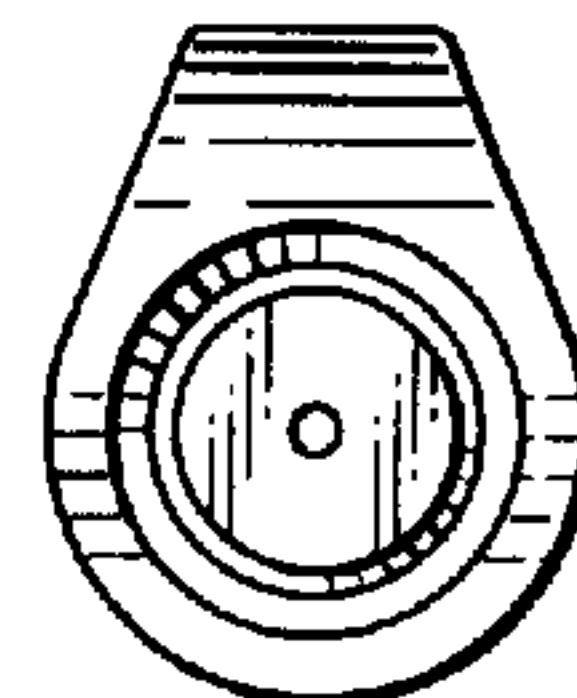


FIG. 13

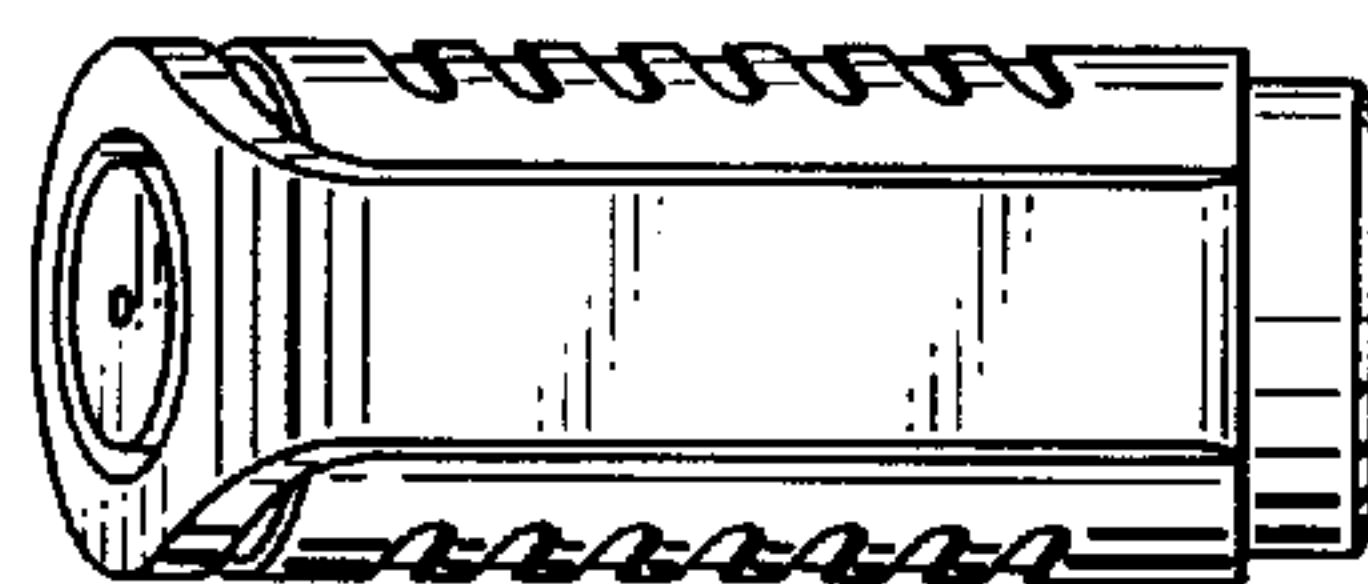


FIG. 16

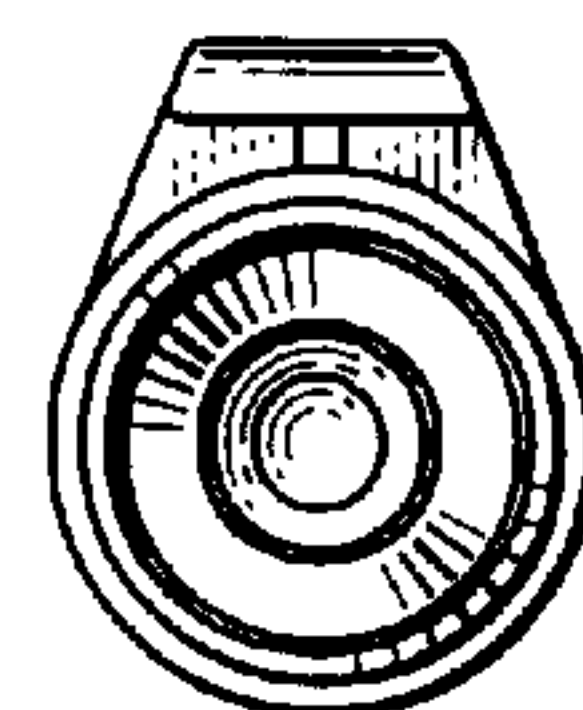


FIG. 14

