



US00D447168B1

(12) **United States Design Patent**
Nishimura

(10) **Patent No.:** **US D447,168 S**

(45) **Date of Patent:** **** Aug. 28, 2001**

(54) **TONER CARTRIDGE**

(75) **Inventor:** **Toshinori Nishimura, Mie (JP)**

(73) **Assignee:** **Kyocera Corporation, Kyoto (JP)**

(**) **Term:** **14 Years**

(21) **Appl. No.:** **29/132,869**

(22) **Filed:** **Nov. 16, 2000**

(30) **Foreign Application Priority Data**

May 24, 2000 (JP) 12-013748

(51) **LOC (7) Cl.** **16-03**

(52) **U.S. Cl.** **D18/43**

(58) **Field of Search** D18/40, 43, 56;
399/24-27, 31, 119-123, 130, 134, 262;
222/DIG. 1

(56) **References Cited**

U.S. PATENT DOCUMENTS

- D. 379,829 6/1997 Hayashi D18/56
- D. 401,618 11/1998 Ikehata D18/43
- D. 410,947 * 6/1999 Schwamkrug D18/43

- D. 422,304 * 4/2000 Suzuki et al. D18/43
- D. 436,986 * 1/2001 Joroku et al. D18/43

OTHER PUBLICATIONS

U.S. Design application No. 29/120,689 filed Mar. 22, 2000.

* cited by examiner

Primary Examiner—Caron D. Veynar

(74) *Attorney, Agent, or Firm*—Hogan & Hartson

(57) **CLAIM**

The ornamental design for a toner cartridge, as shown and described.

DESCRIPTION

FIG. 1 is a perspective view of the top, front and right side of a toner cartridge showing my new design;
 FIG. 2 is a front view thereof;
 FIG. 3 is a rear view thereof;
 FIG. 4 is a left side view thereof;
 FIG. 5 is a right side view thereof;
 FIG. 6 is a top plan view thereof; and,
 FIG. 7 is a bottom view thereof.

1 Claim, 6 Drawing Sheets

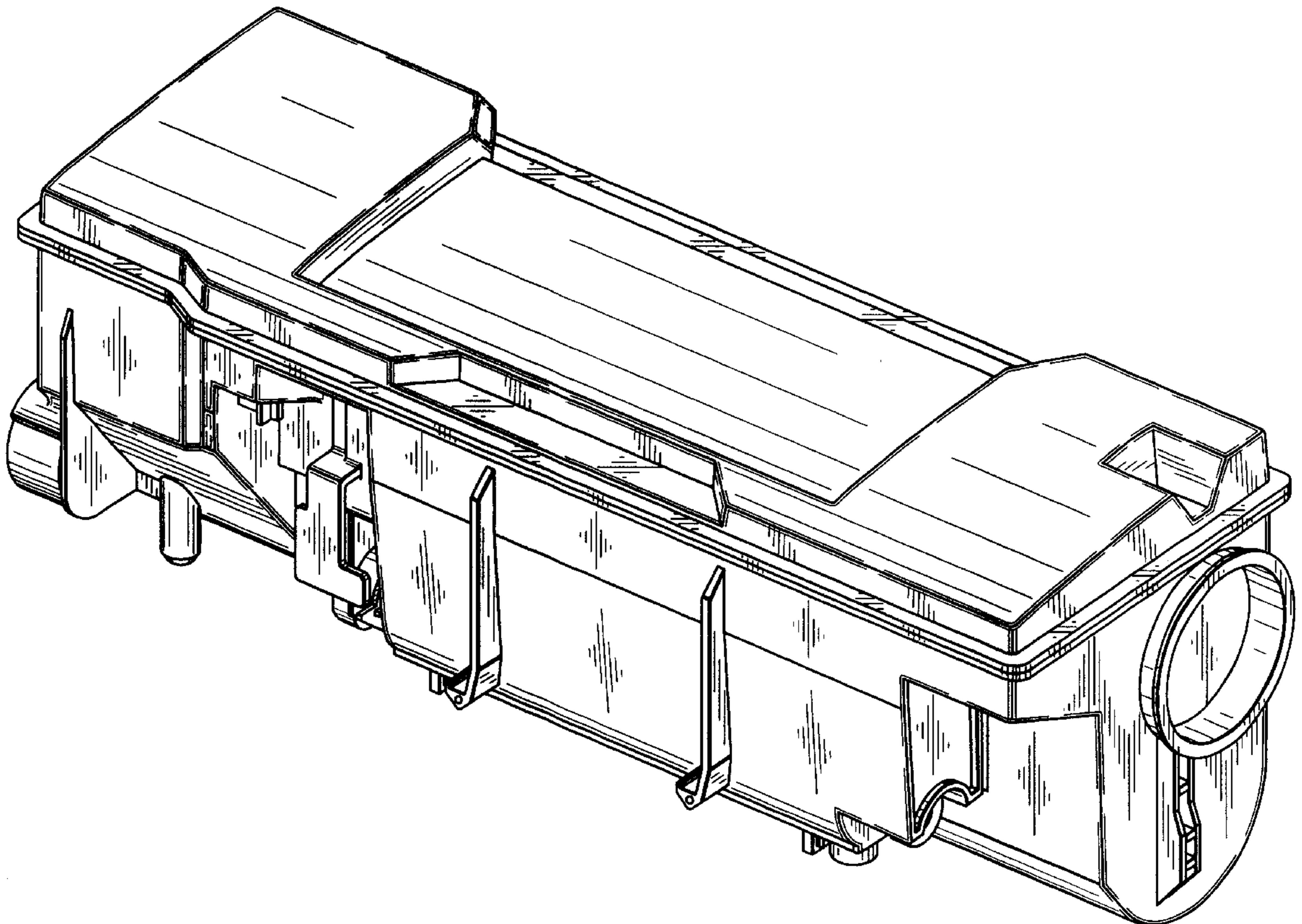


FIG. 1

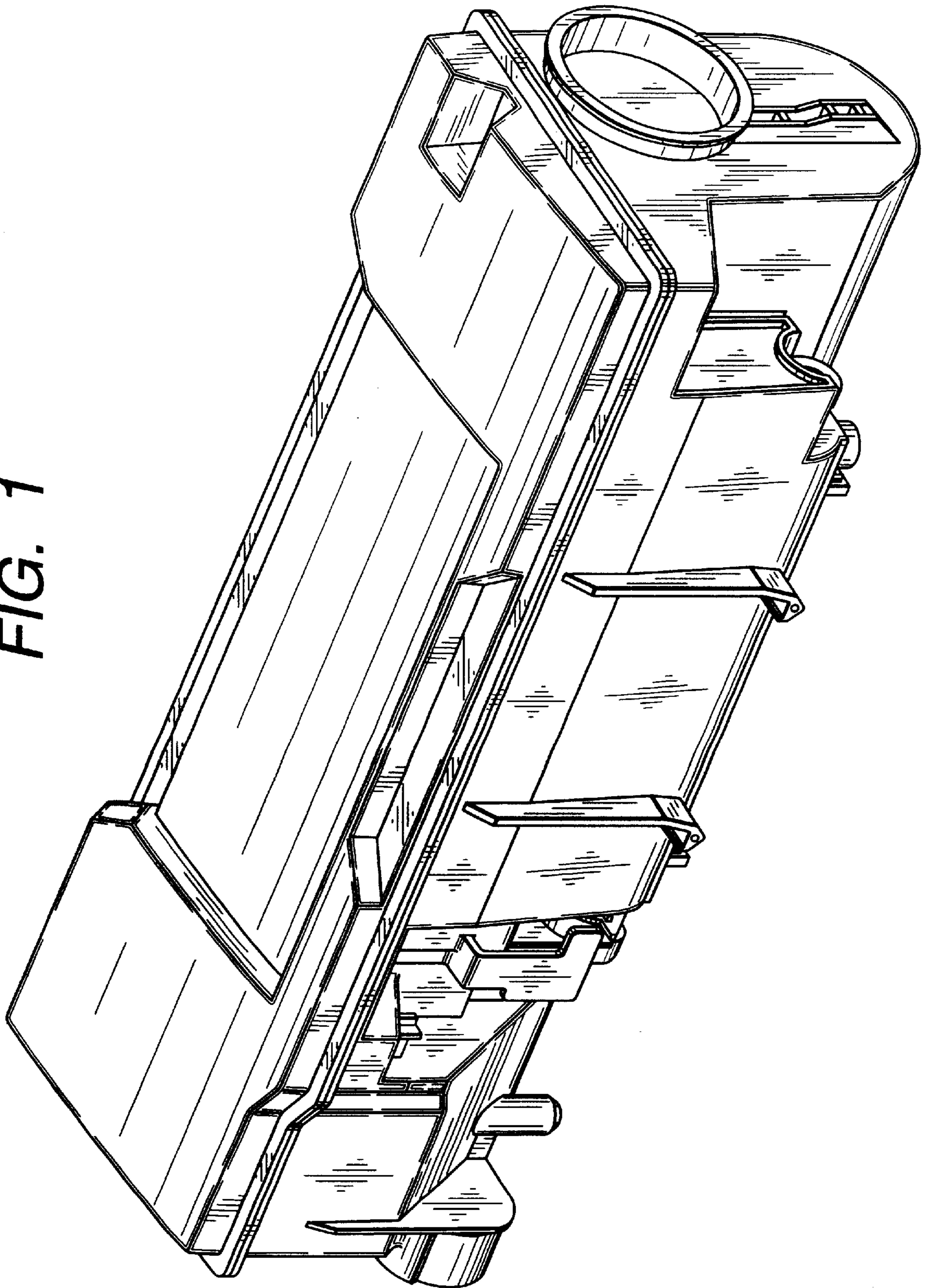


FIG. 2

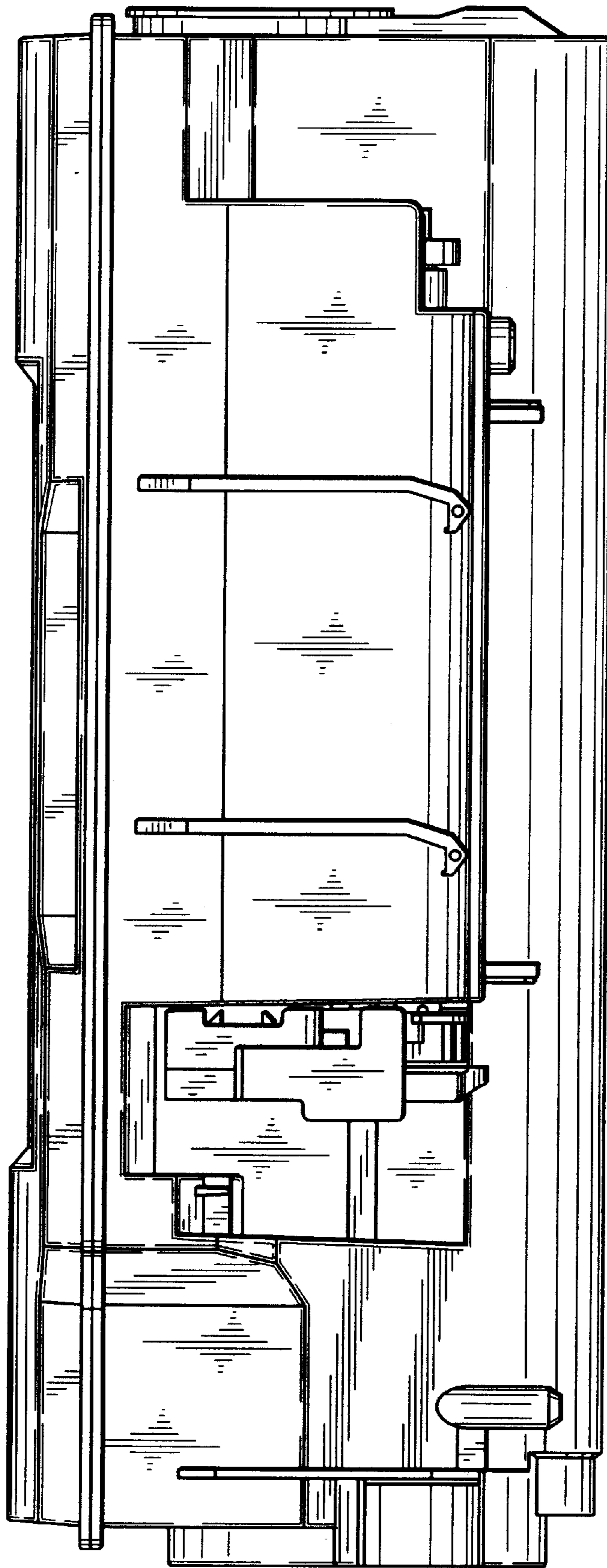


FIG. 3

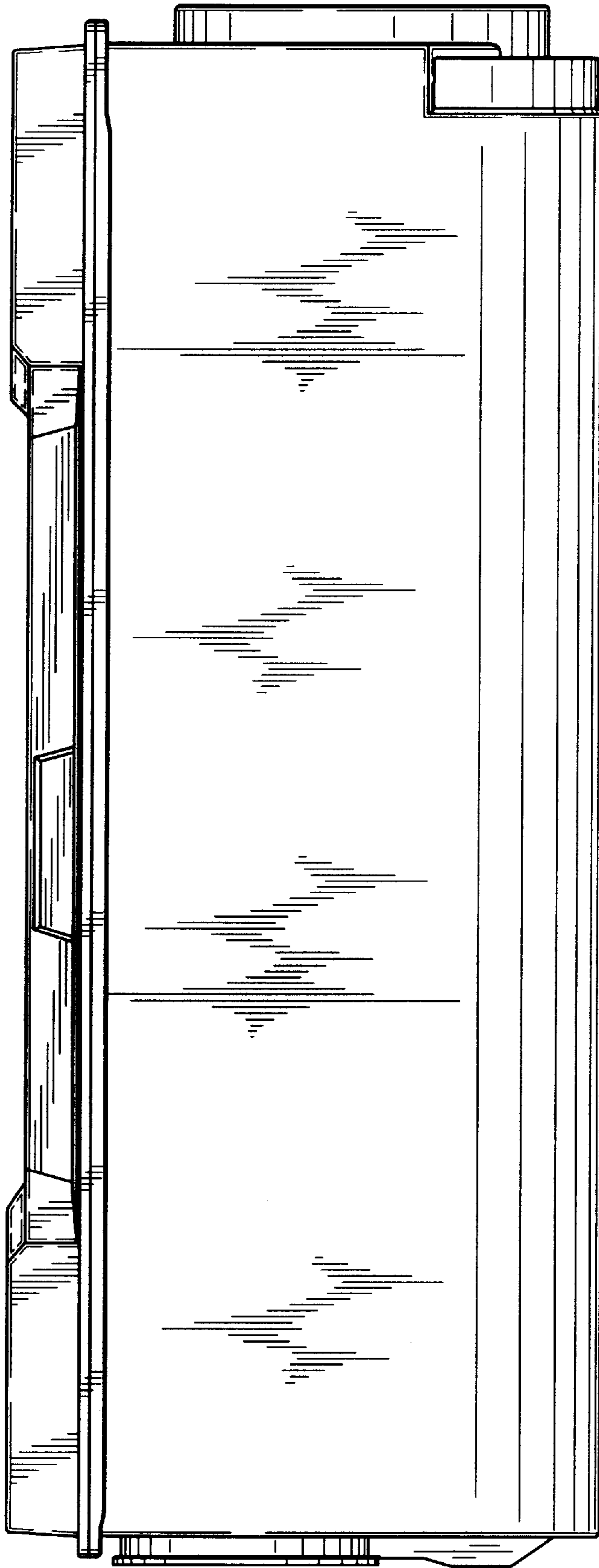


FIG. 4

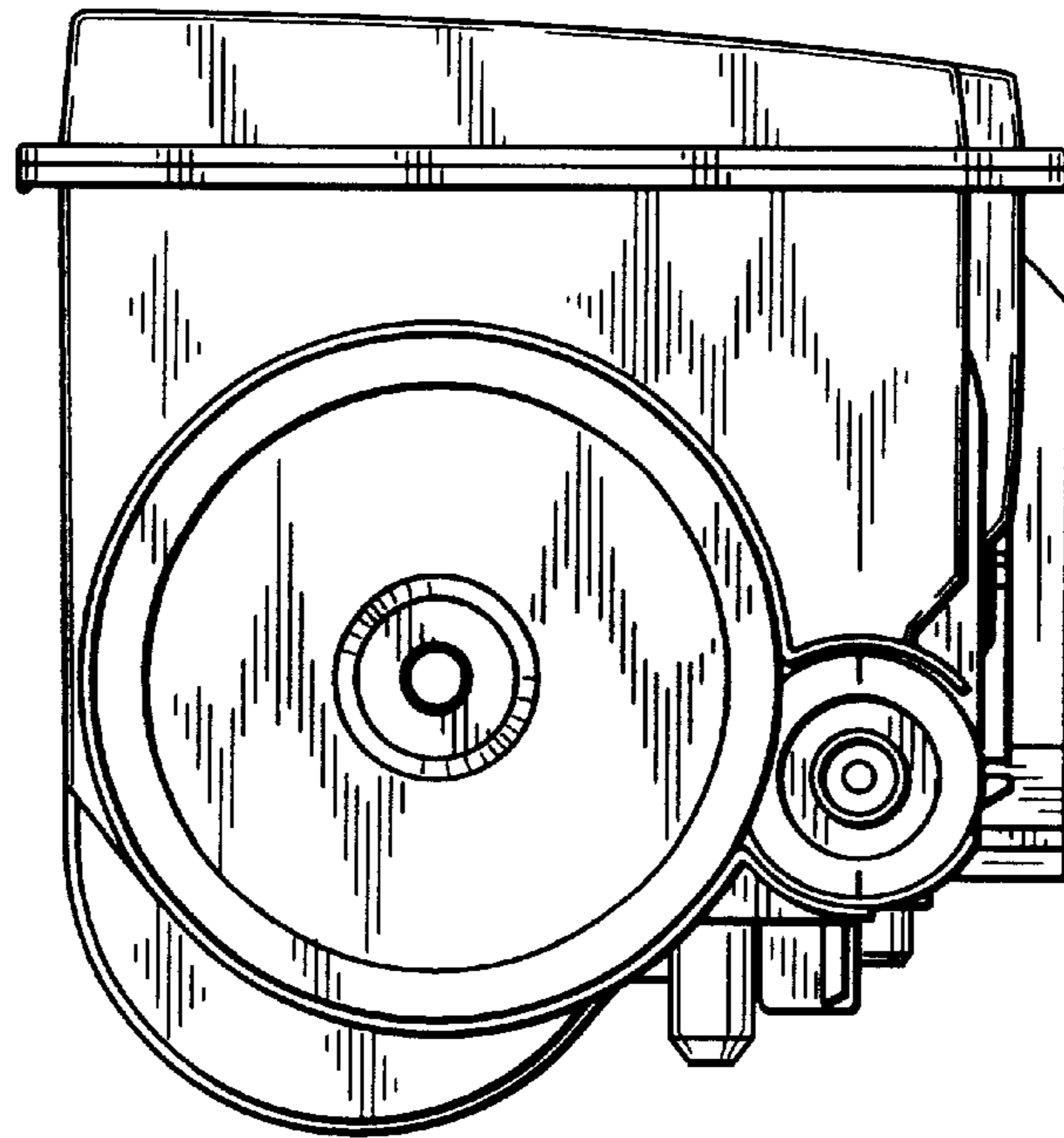


FIG. 5

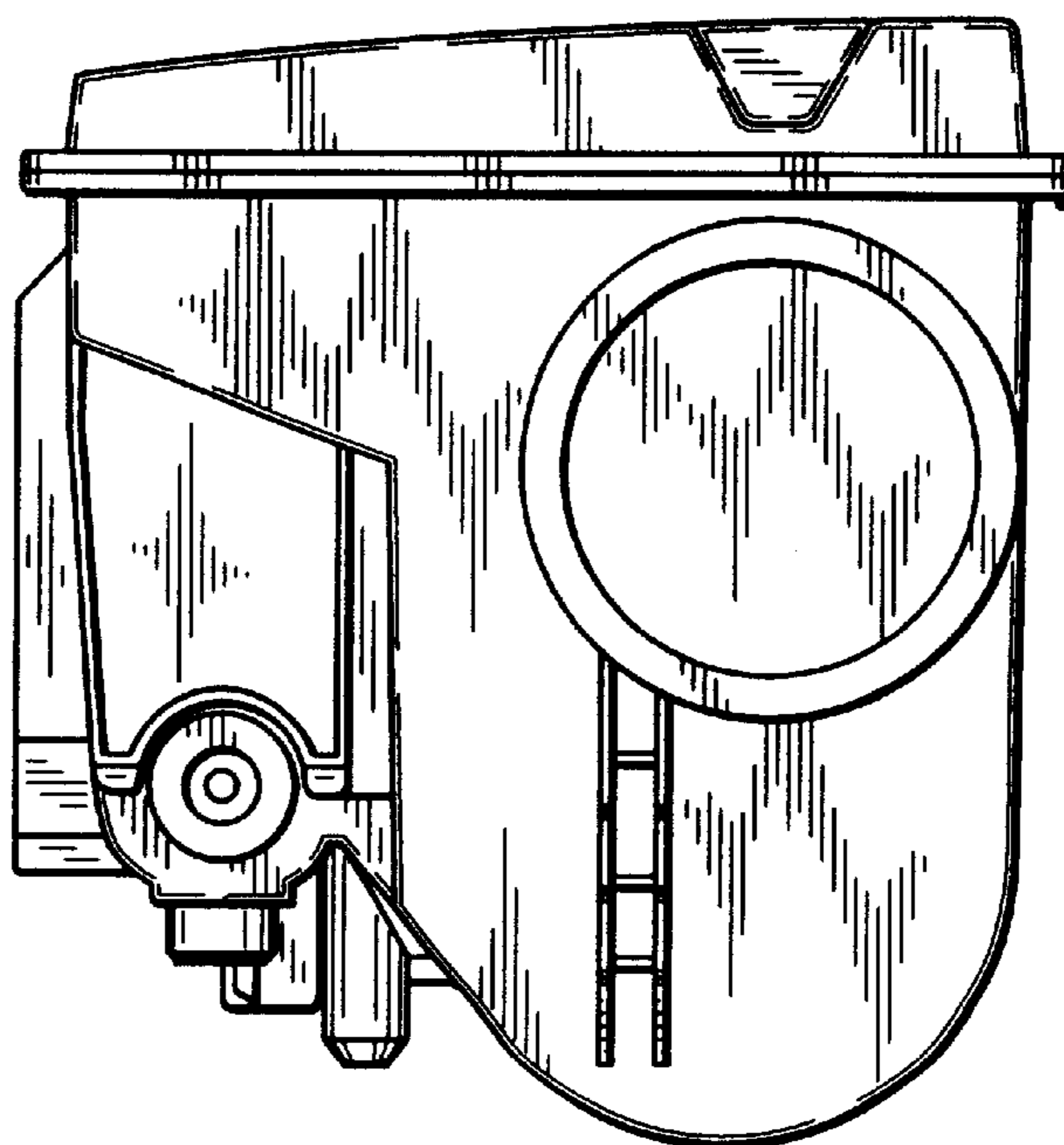


FIG. 6



FIG. 7

