



US00D447167B1

(12) **United States Design Patent**
Taniyama

(10) **Patent No.:** **US D447,167 S**

(45) **Date of Patent:** **** Aug. 28, 2001**

(54) **TONER STORAGE CONTAINER FOR A
COPYING MACHINE**

(75) **Inventor:** **Yoshiharu Taniyama, Kawasaki (JP)**

(73) **Assignee:** **Toshiba Tec Kabushiki Kaisha, Tokyo
(JP)**

(**) **Term:** **14 Years**

(21) **Appl. No.:** **29/132,409**

(22) **Filed:** **Nov. 9, 2000**

(30) **Foreign Application Priority Data**

May 2, 2000 (JP) 12-012524

(51) **LOC (7) Cl.** **16-03**

(52) **U.S. Cl.** **D18/43**

(58) **Field of Search** D18/36, 40, 43,
D18/56; 399/24, 25, 27, 28, 35, 252, 262;
222/DIG. 1

(56) **References Cited**

U.S. PATENT DOCUMENTS

D. 356,813	3/1995	Ichikawa et al.	D18/43
D. 403,348	12/1998	Matsuoka et al.	D18/43
D. 406,162	2/1999	Tatsumi	D18/43
D. 430,197 *	8/2000	Wang et al.	D18/43
D. 436,121 *	1/2001	Wang et al.	D18/43
5,296,900 *	3/1994	Saijo et al.	355/260

5,794,108 *	8/1998	Yoshizawa et al.	399/262
5,857,129 *	1/1999	Harris	399/12
5,909,610 *	6/1999	Yoshiki et al.	399/262
6,134,411 *	10/2000	Meyer et al.	399/262

FOREIGN PATENT DOCUMENTS

10-01931	1/1998	(JP) .
10-01932	1/1998	(JP) .
10-01933	1/1998	(JP) .

* cited by examiner

Primary Examiner—Caron D. Veynar

(74) *Attorney, Agent, or Firm*—Oblon, Spivak, McClelland,
Maier & Neustadt, P.C.

(57) **CLAIM**

The ornamental design for toner storage container for a copying machine, as shown.

DESCRIPTION

FIG. 1 is a front, top and left side perspective view of toner storage container for a copying machine showing my new design;

FIG. 2 is a front elevational view thereof;

FIG. 3 is a top plan view thereof;

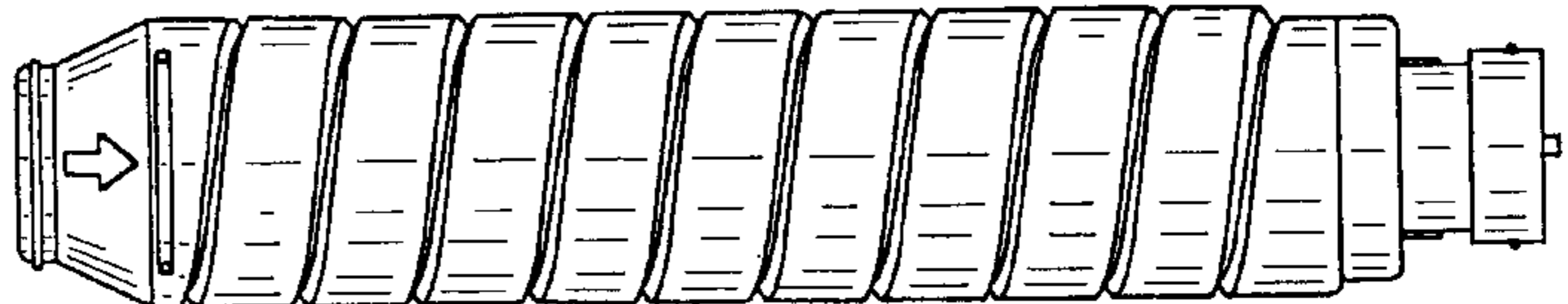
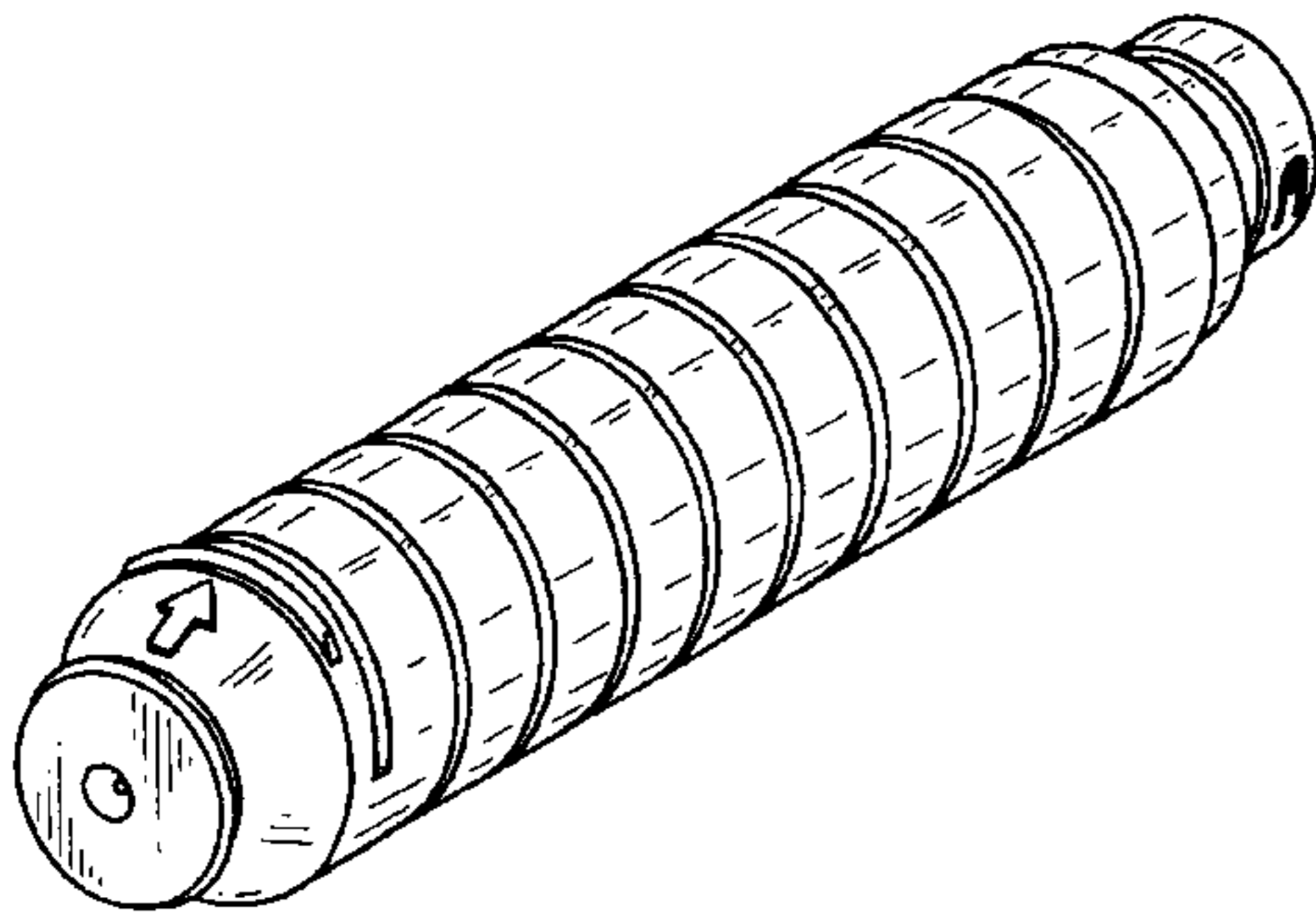
FIG. 4 is a left elevational view thereof;

FIG. 5 is a right plan view thereof;

FIG. 6 is a rear side elevational view thereof; and,

FIG. 7 is a bottom side elevational view thereof.

1 Claim, 2 Drawing Sheets



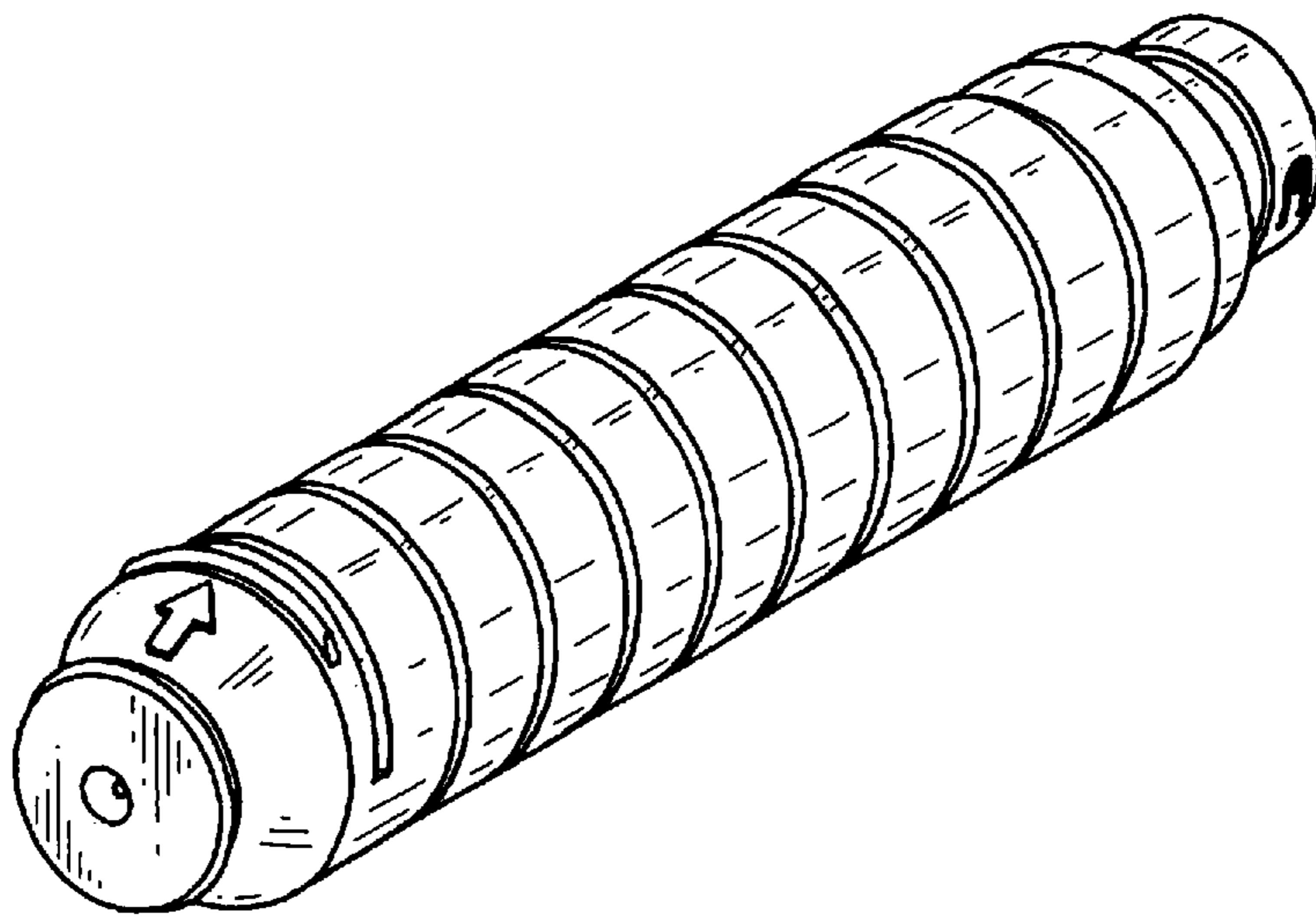


Fig. 1

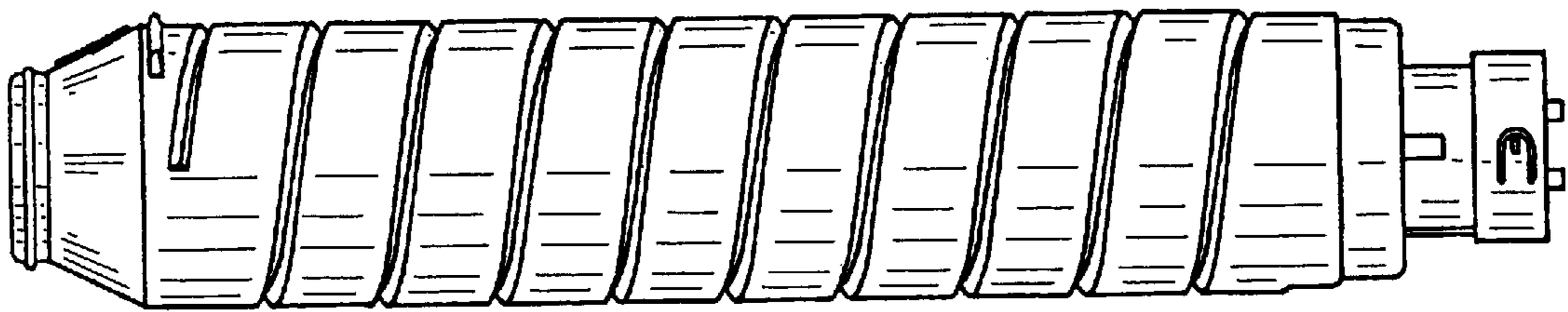


Fig. 2

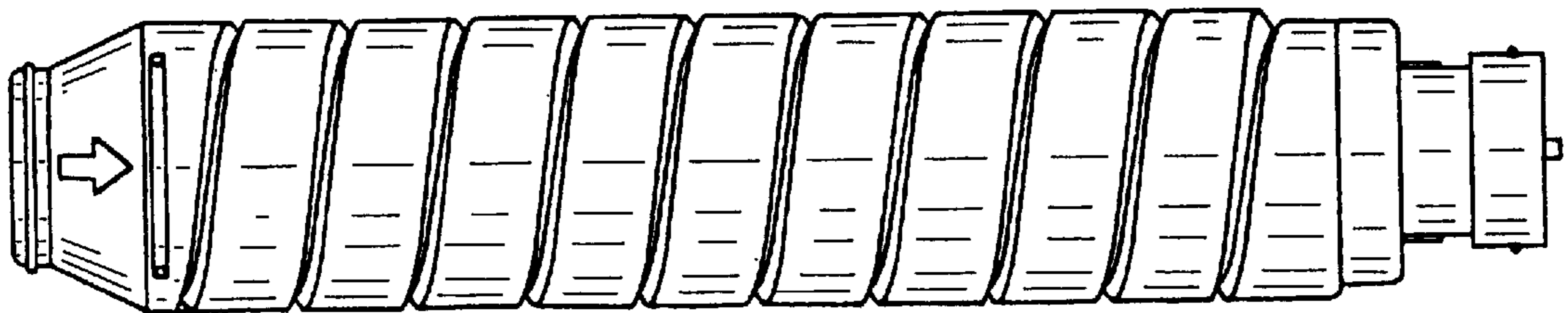


Fig. 3

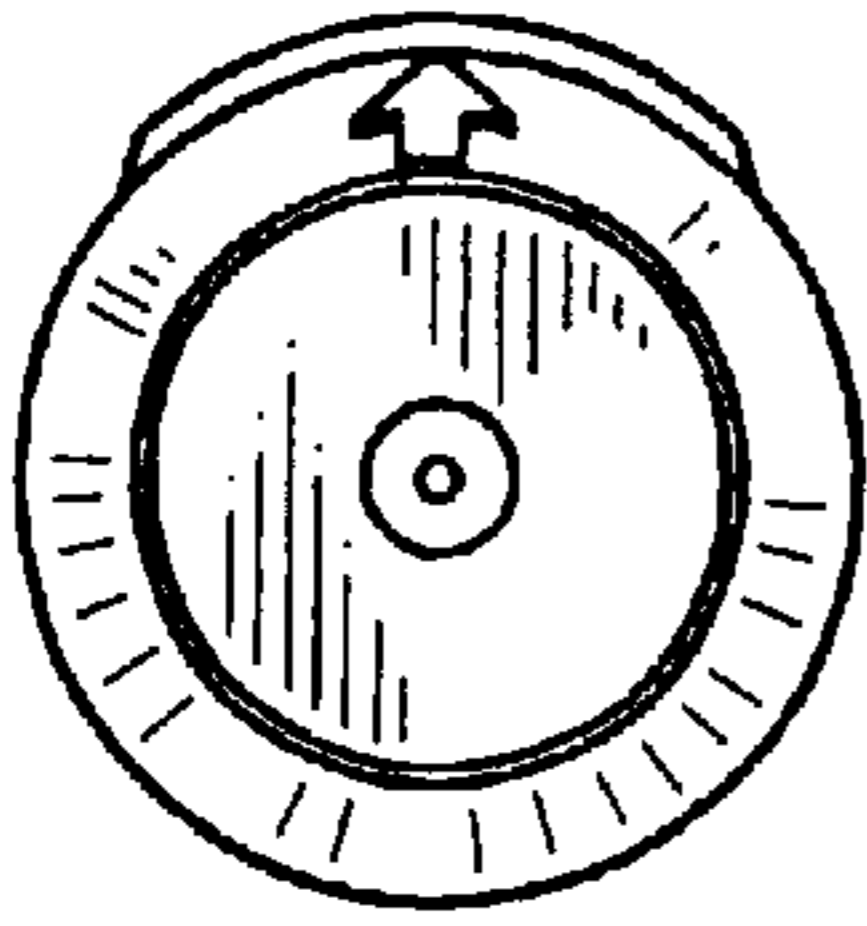


Fig. 4

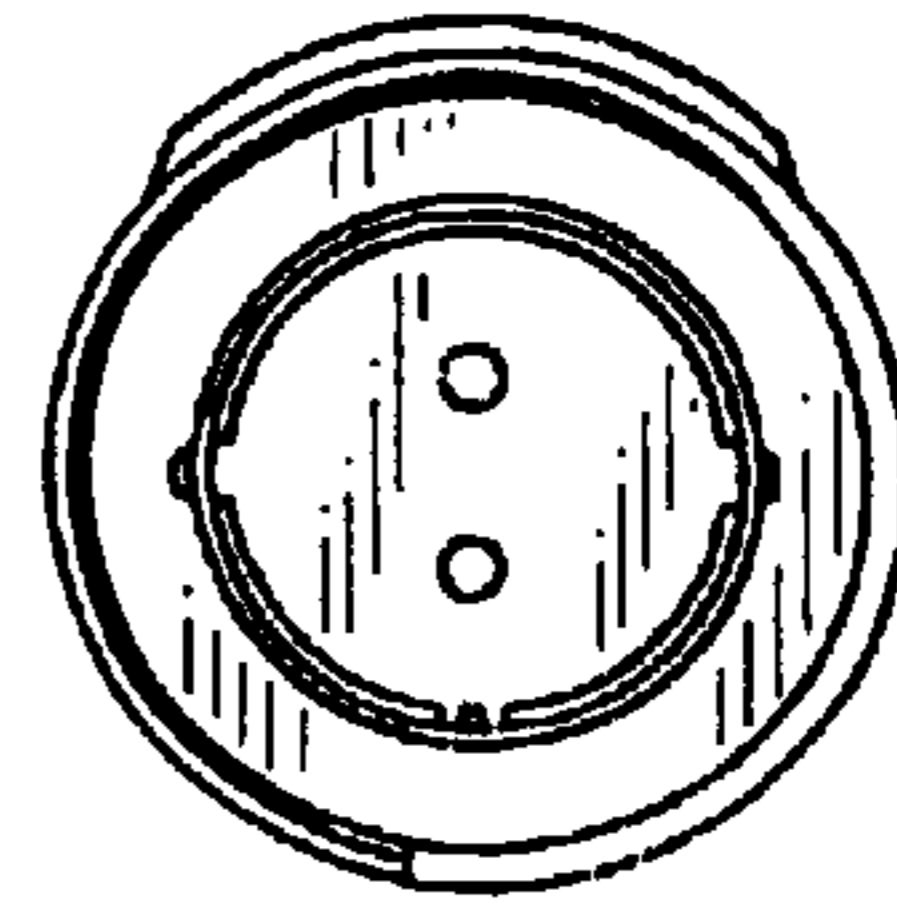


Fig. 5

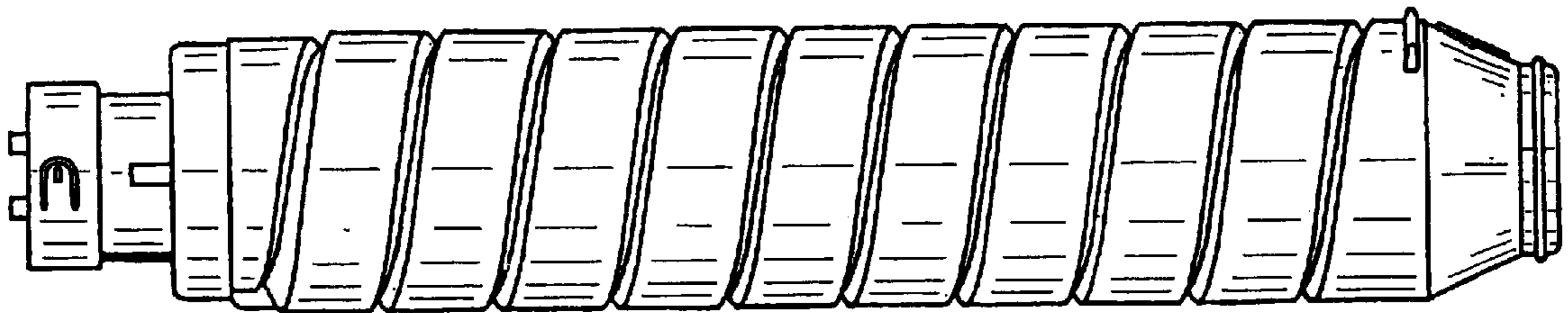


Fig. 6

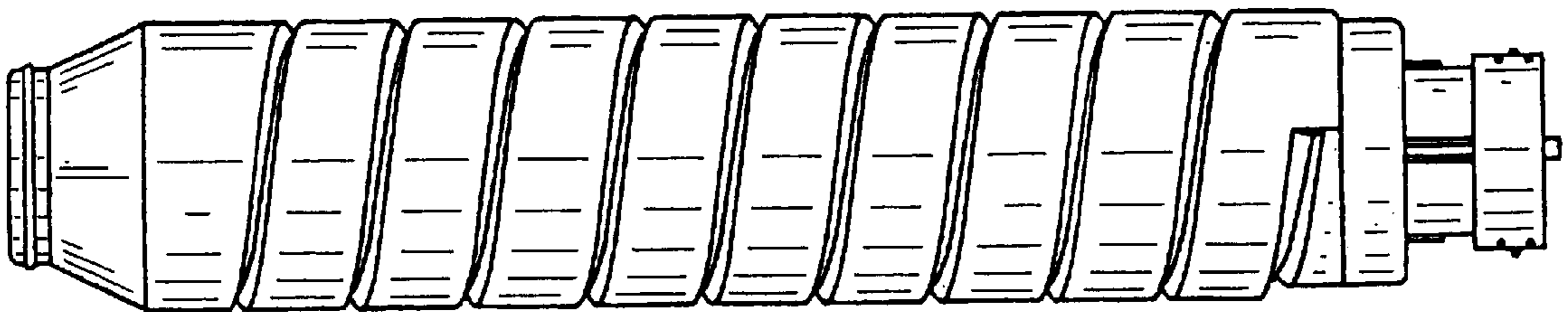


Fig. 7

UNITED STATES PATENT AND TRADEMARK OFFICE
CERTIFICATE OF CORRECTION

PATENT NO. : Des 447,167 S
DATED : August 28, 2001
INVENTOR(S) : Taniyama

Page 1 of 1

It is certified that error appears in the above-identified patent and that said Letters Patent is hereby corrected as shown below:

Title page,

Item [30], the **Foreign Application Priority** should read:

-- [30] **Foreign Application Priority Data**

May 12, 2000 (JP)..... 12-012524 --

Signed and Sealed this

Twelfth Day of March, 2002

Attest:



JAMES E. ROGAN

Director of the United States Patent and Trademark Office

Attesting Officer