



US00D447161B1

(12) **United States Design Patent**  
**Alvarez et al.**

(10) **Patent No.:** **US D447,161 S**

(45) **Date of Patent:** **\*\* Aug. 28, 2001**

(54) **DIGITAL CAMERA**

(75) Inventors: **Maria Del Carmen Alvarez**, Santee;  
**Charles Curbun**, Leucadia; **Kevin Daley Simmons**, San Diego, all of CA (US)

(73) Assignee: **Hewlett-Packard Company**, Palo Alto, CA (US)

(\*\*) Term: **14 Years**

(21) Appl. No.: **29/128,833**

(22) Filed: **Aug. 30, 2000**

(51) **LOC (7) Cl.** ..... **16-01**

(52) **U.S. Cl.** ..... **D16/202; D16/218**

(58) **Field of Search** ..... **D16/200-206, D16/208, 209, 218; 348/373-376; 358/906, 909.1; 396/535-541**

(56) **References Cited**

**U.S. PATENT DOCUMENTS**

D. 377,363 \* 1/1997 Isozaki et al. .... D16/209

D. 410,665 \* 6/1999 Shinano ..... D16/202  
D. 415,508 \* 10/1999 Shinano ..... D16/202  
D. 423,031 \* 4/2000 Shinohara et al. .... D16/202  
5,708,898 \* 1/1998 Manabe et al. .... 396/535

\* cited by examiner

*Primary Examiner*—Adir Aronovich

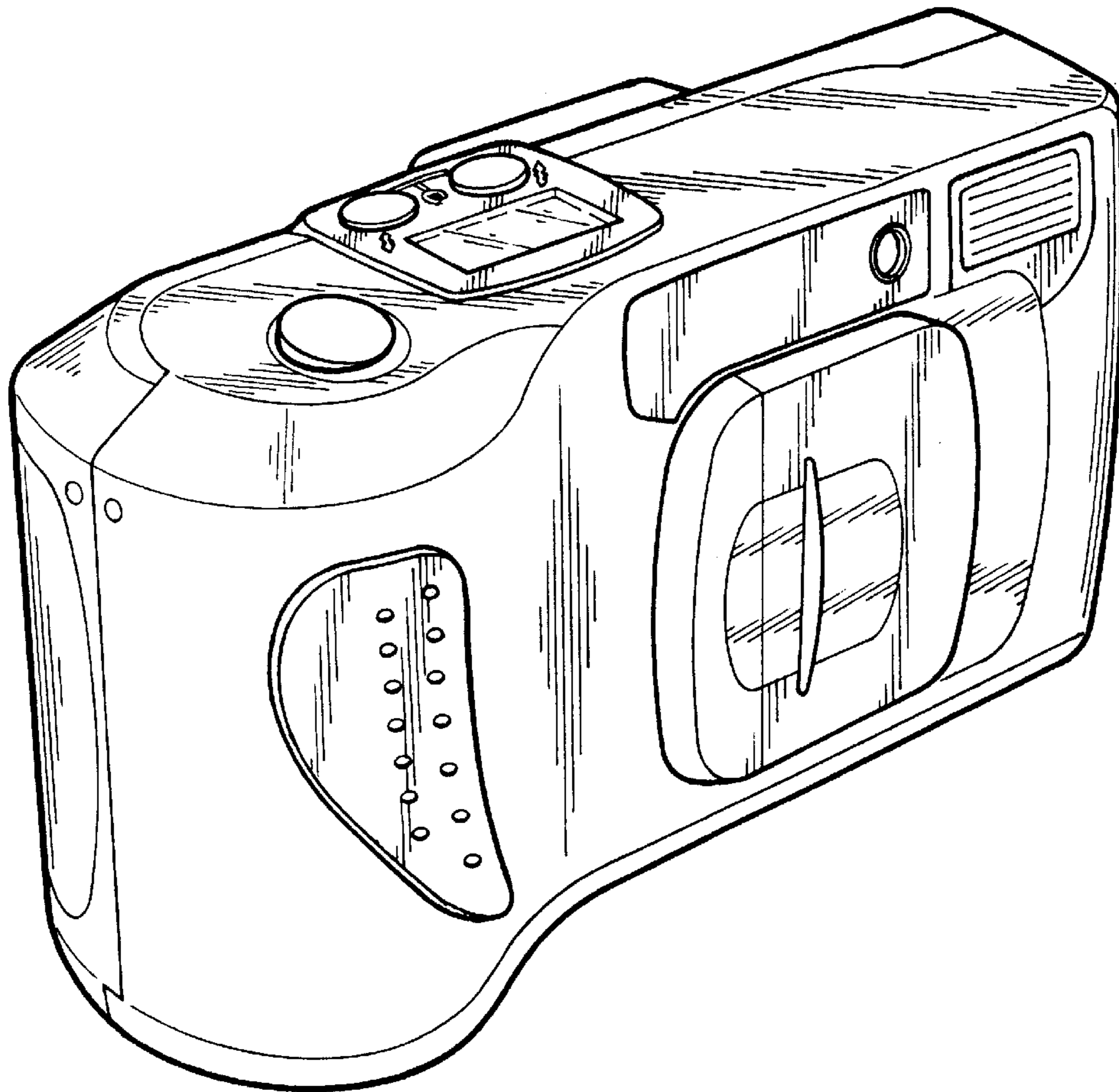
(57) **CLAIM**

The ornamental design for a digital camera, as shown.

**DESCRIPTION**

FIG. 1 is a front perspective view showing the new design;  
FIG. 2 is a top plan view thereof;  
FIG. 3 is a front elevational view thereof;  
FIG. 4 is a rear elevational view thereof;  
FIG. 5 is a bottom plan view thereof;  
FIG. 6 is a right side elevational view thereof; and,  
FIG. 7 is a left side elevational view thereof.

**1 Claim, 3 Drawing Sheets**



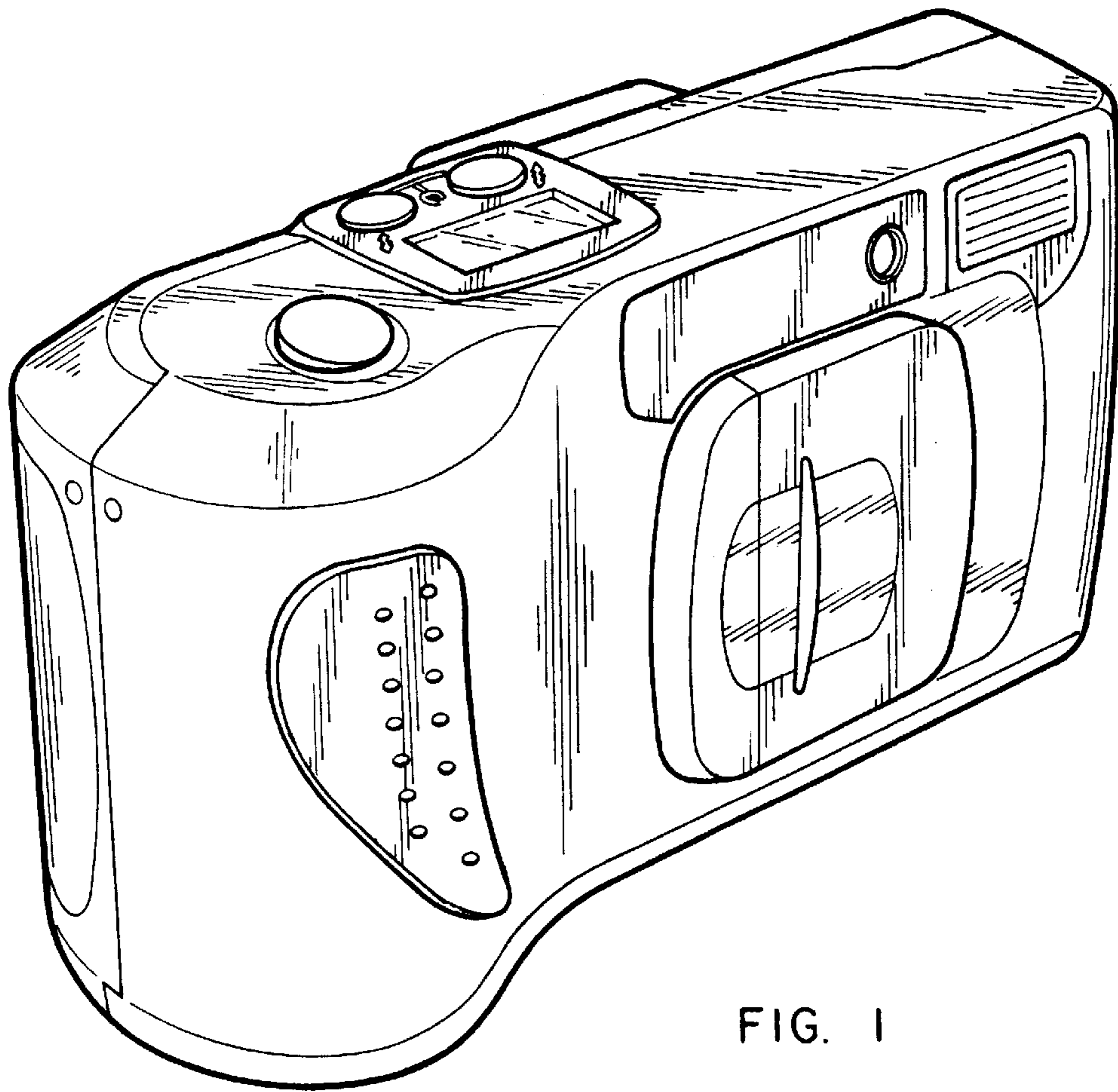


FIG. 1

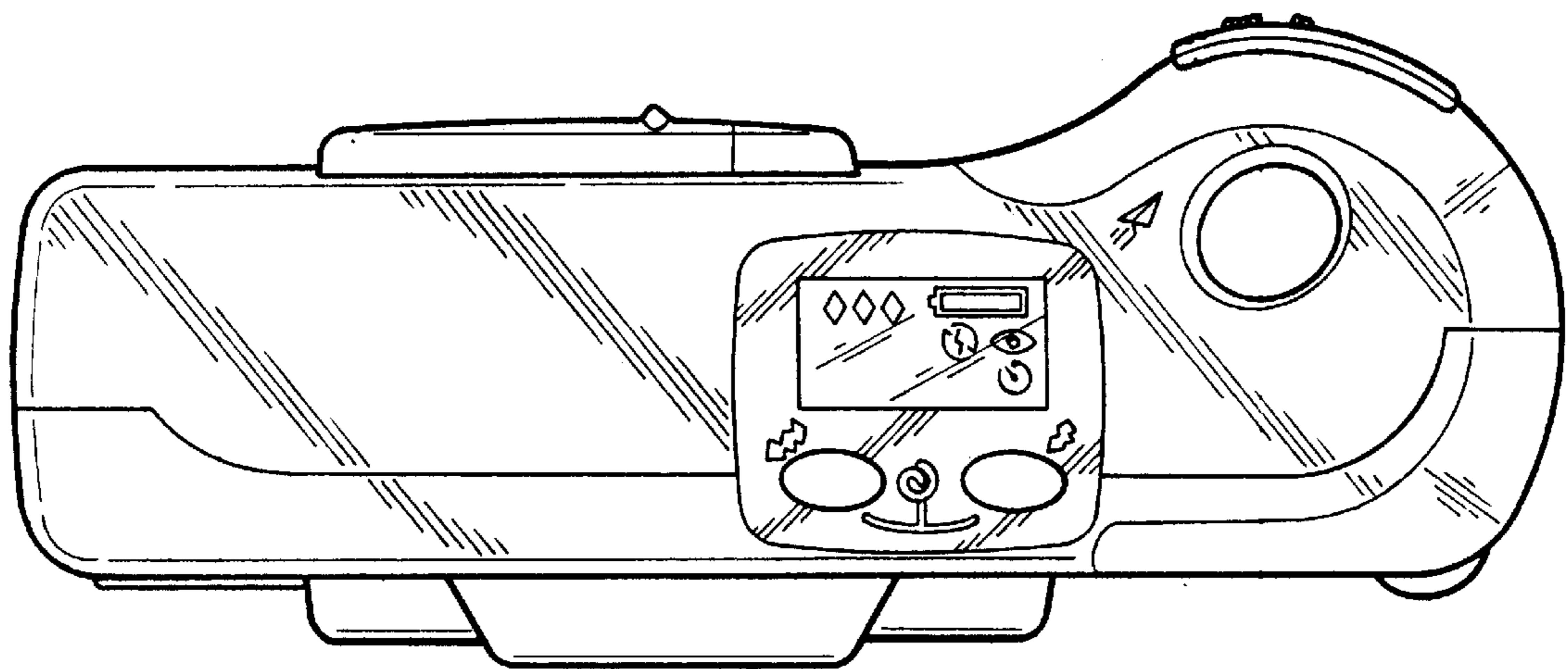


FIG. 2

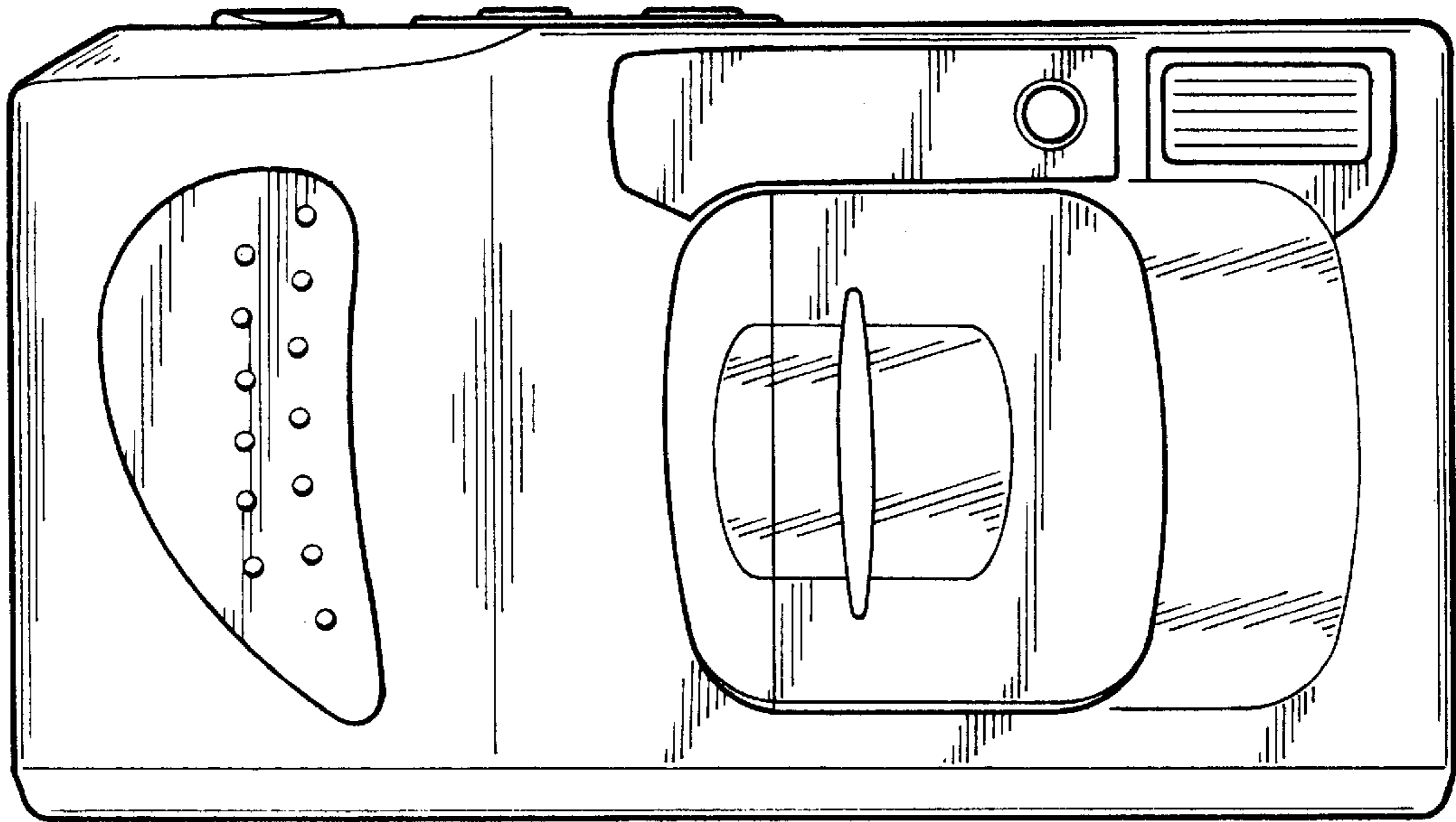


FIG. 3

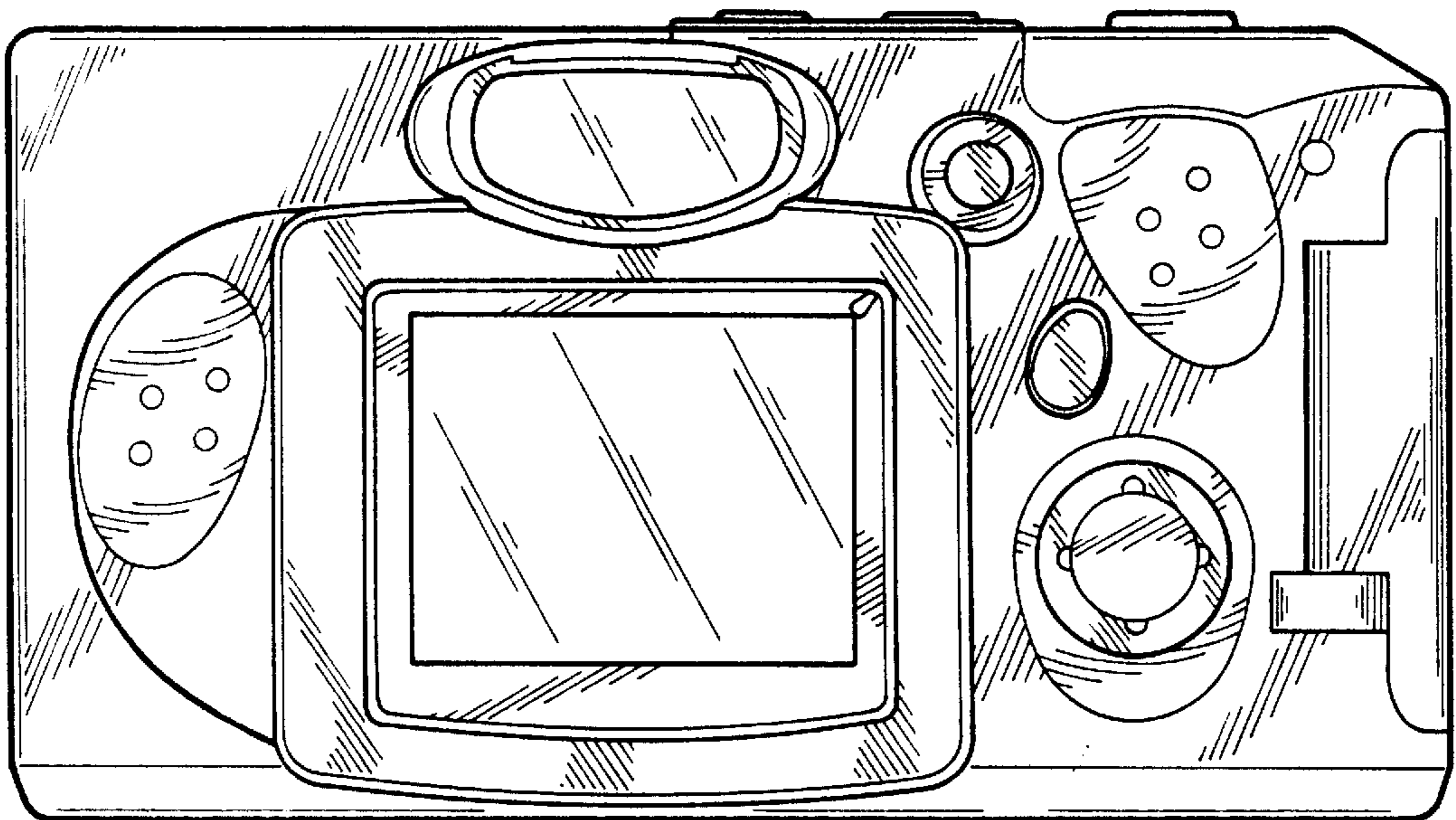


FIG. 4

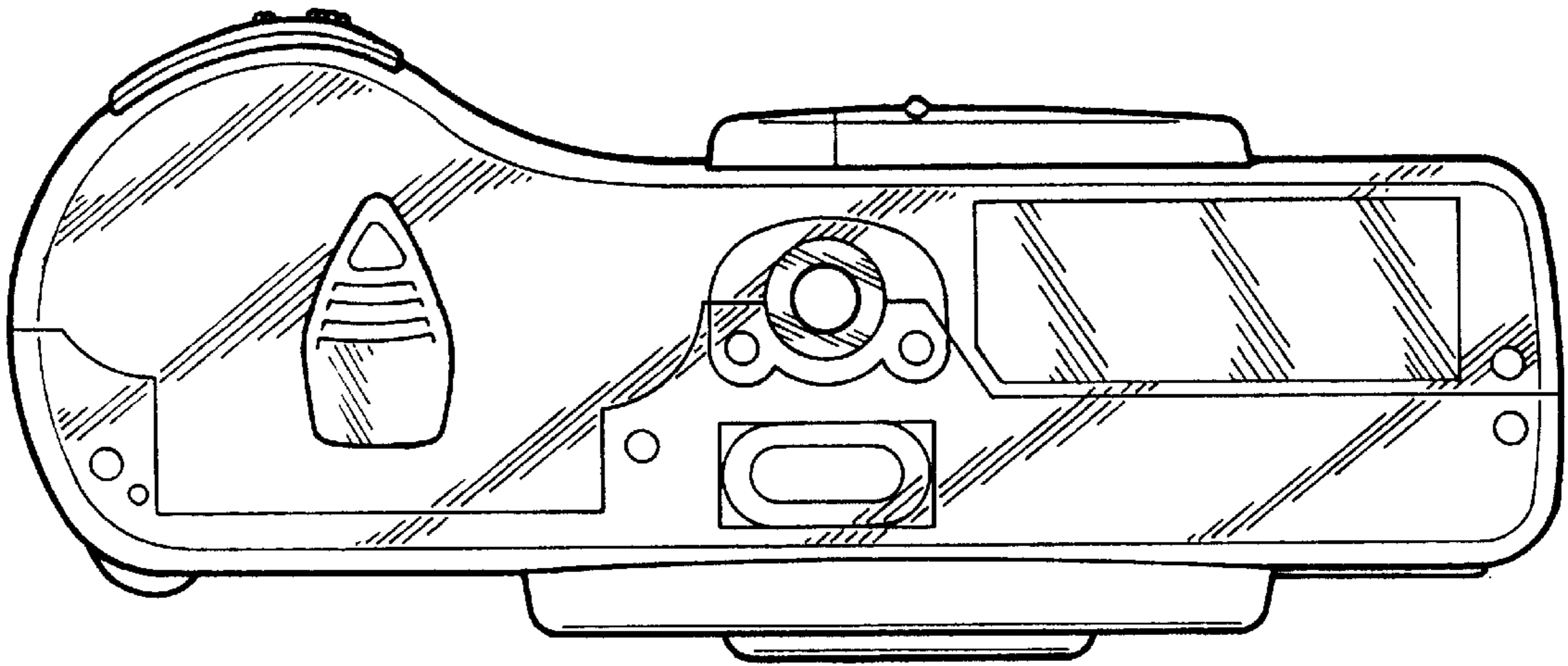


FIG. 5

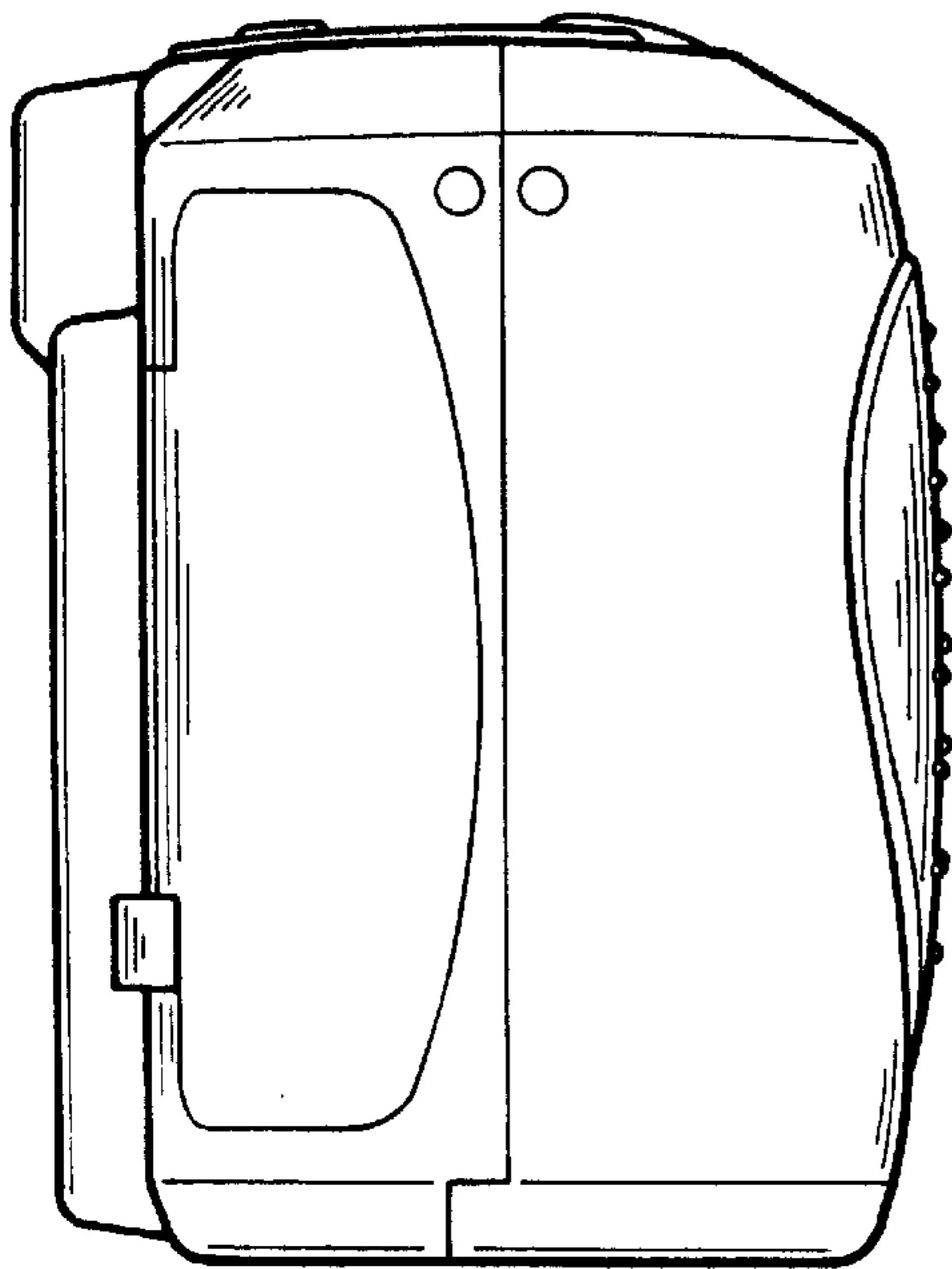


FIG. 6

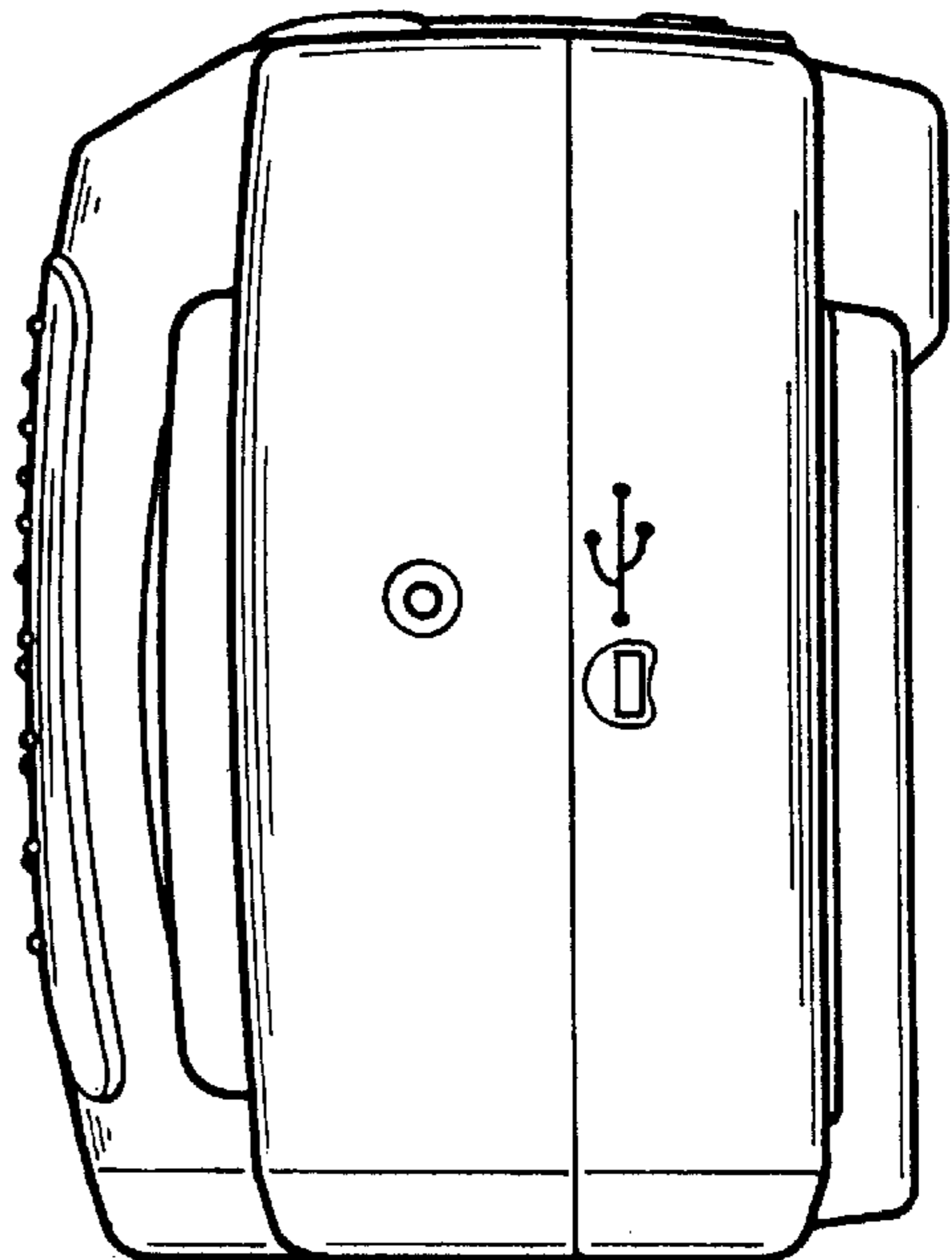


FIG. 7