



US00D447160B1

(12) **United States Design Patent**
Kishigami et al.

(10) **Patent No.:** **US D447,160 S**

(45) **Date of Patent:** **** Aug. 28, 2001**

(54) **BINOCULARS**

(75) Inventors: **Takashi Kishigami, Takatuki; Arata Ono, Urawa, both of (JP)**

(73) Assignee: **Nikon Corporation, Tokyo (JP)**

(**) Term: **14 Years**

(21) Appl. No.: **29/132,788**

(22) Filed: **Nov. 16, 2000**

(30) **Foreign Application Priority Data**

Sep. 18, 2000 (JP) 12-025951

(51) **LOC (7) Cl.** **16-06**

(52) **U.S. Cl.** **D16/133**

(58) **Field of Search** D16/130, 133,
D16/136; 359/408, 409, 410, 411, 412,
414, 415, 416, 418, 419

(56) **References Cited**

U.S. PATENT DOCUMENTS

- D. 299,724 * 2/1989 Aoki D16/133
- D. 346,175 * 4/1994 Chan D16/133
- D. 367,662 * 3/1996 Chan D16/133
- D. 387,077 * 12/1997 Lee D16/133
- D. 392,986 * 3/1998 Katou D16/133

- D. 395,055 * 6/1998 Lee D16/133
- D. 412,177 * 7/1999 Fujii D16/133
- D. 412,921 * 8/1999 Hayamizu D16/133
- 5,231,535 * 7/1993 Peters et al. 359/414

FOREIGN PATENT DOCUMENTS

- 1020217 9/1998 (JP) .
- 1022359 10/1998 (JP) .
- 1049026 9/1999 (JP) .

* cited by examiner

Primary Examiner—Paula A. Mortimer

(74) *Attorney, Agent, or Firm*—Oliff & Berridge, PLC

(57) **CLAIM**

The ornamental design for binoculars, as shown.

DESCRIPTION

FIG. 1 is a front perspective view of binoculars showing our new design;
 FIG. 2 is a rear perspective view thereof;
 FIG. 3 is a front elevation view thereof;
 FIG. 4 is a rear elevation view thereof;
 FIG. 5 is a top plan view thereof;
 FIG. 6 is a bottom plan view thereof;
 FIG. 7 is a left side elevation view thereof; and,
 FIG. 8 is a right side elevation view thereof.

1 Claim, 5 Drawing Sheets

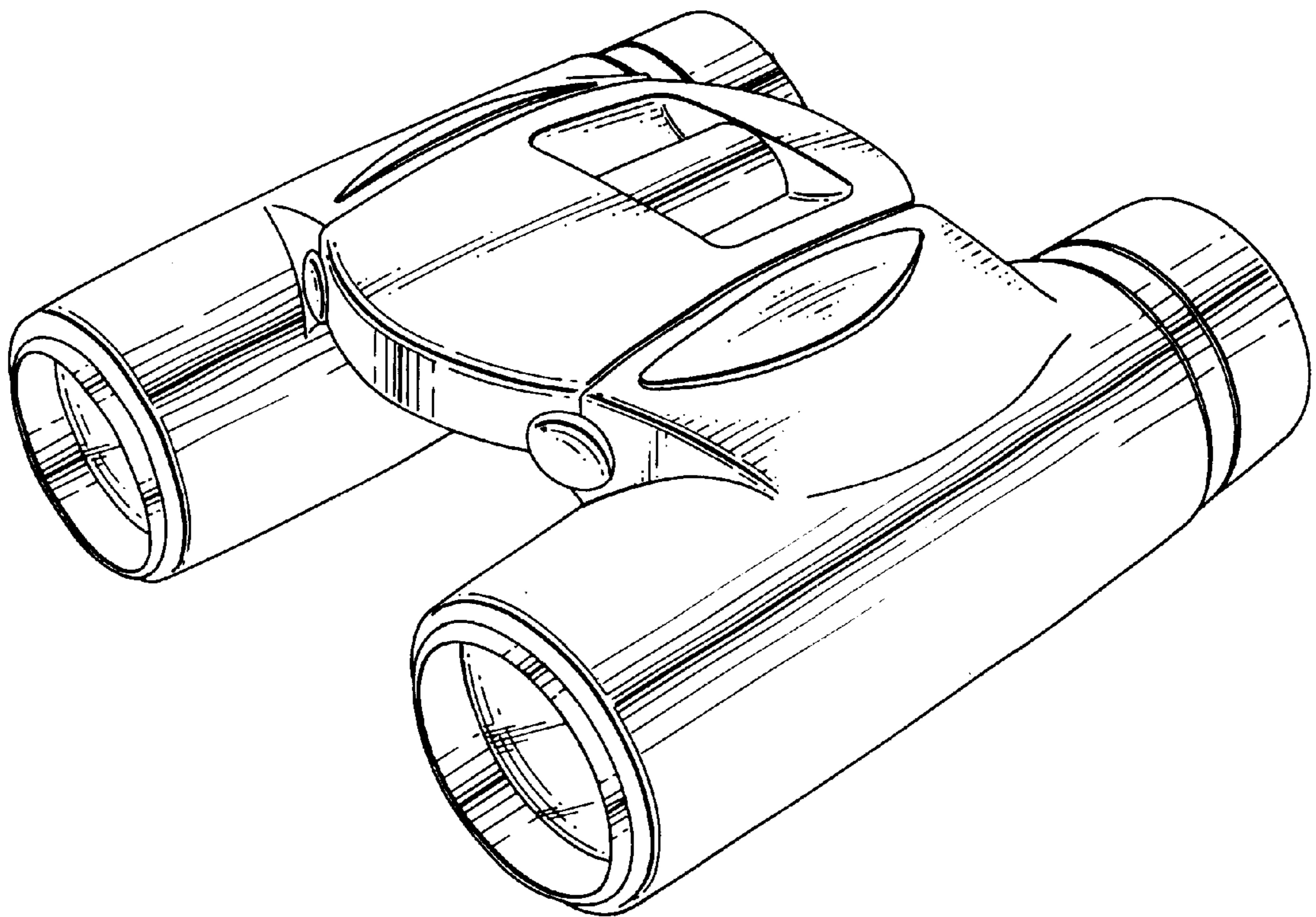


FIG. 1

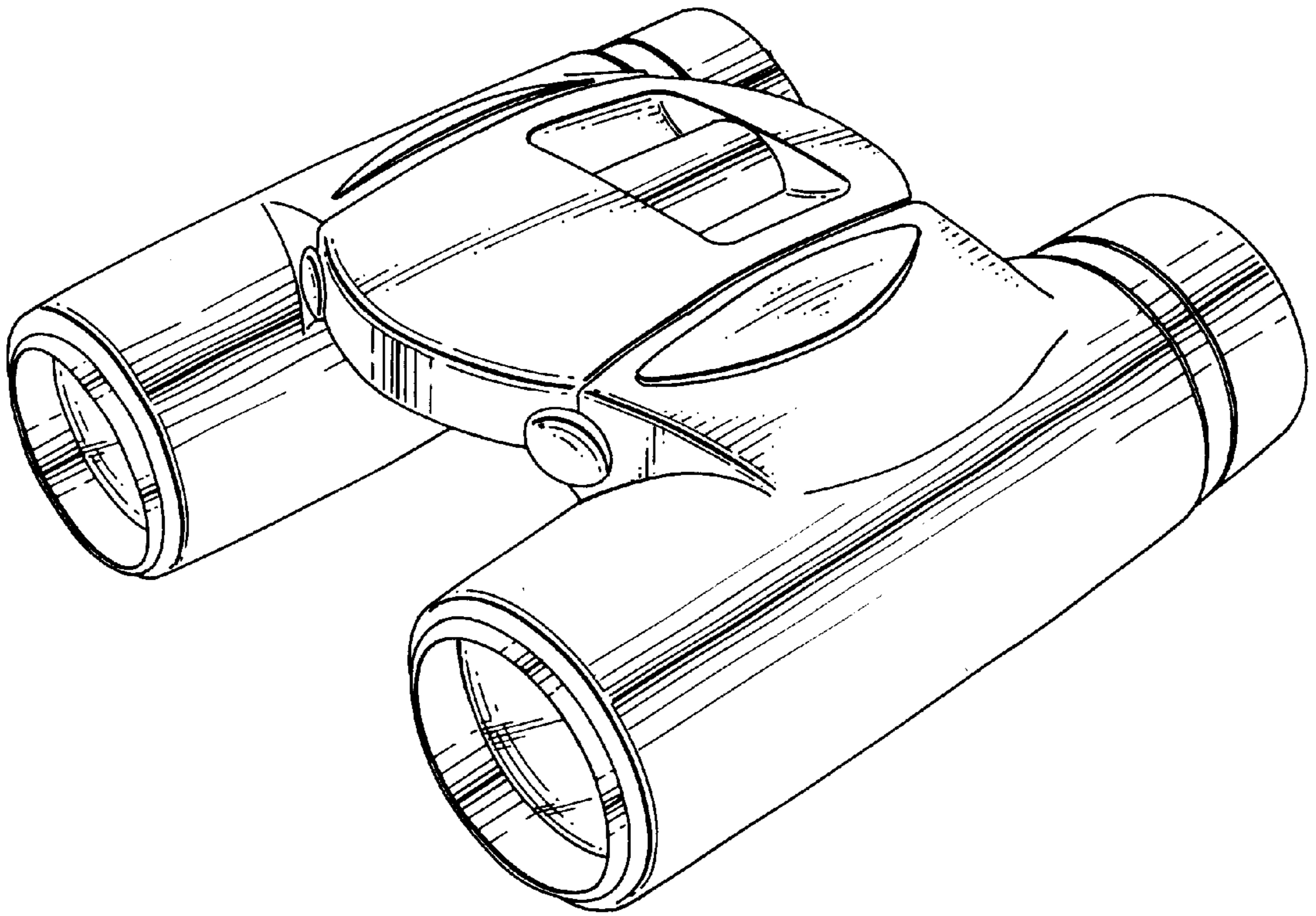


FIG. 2

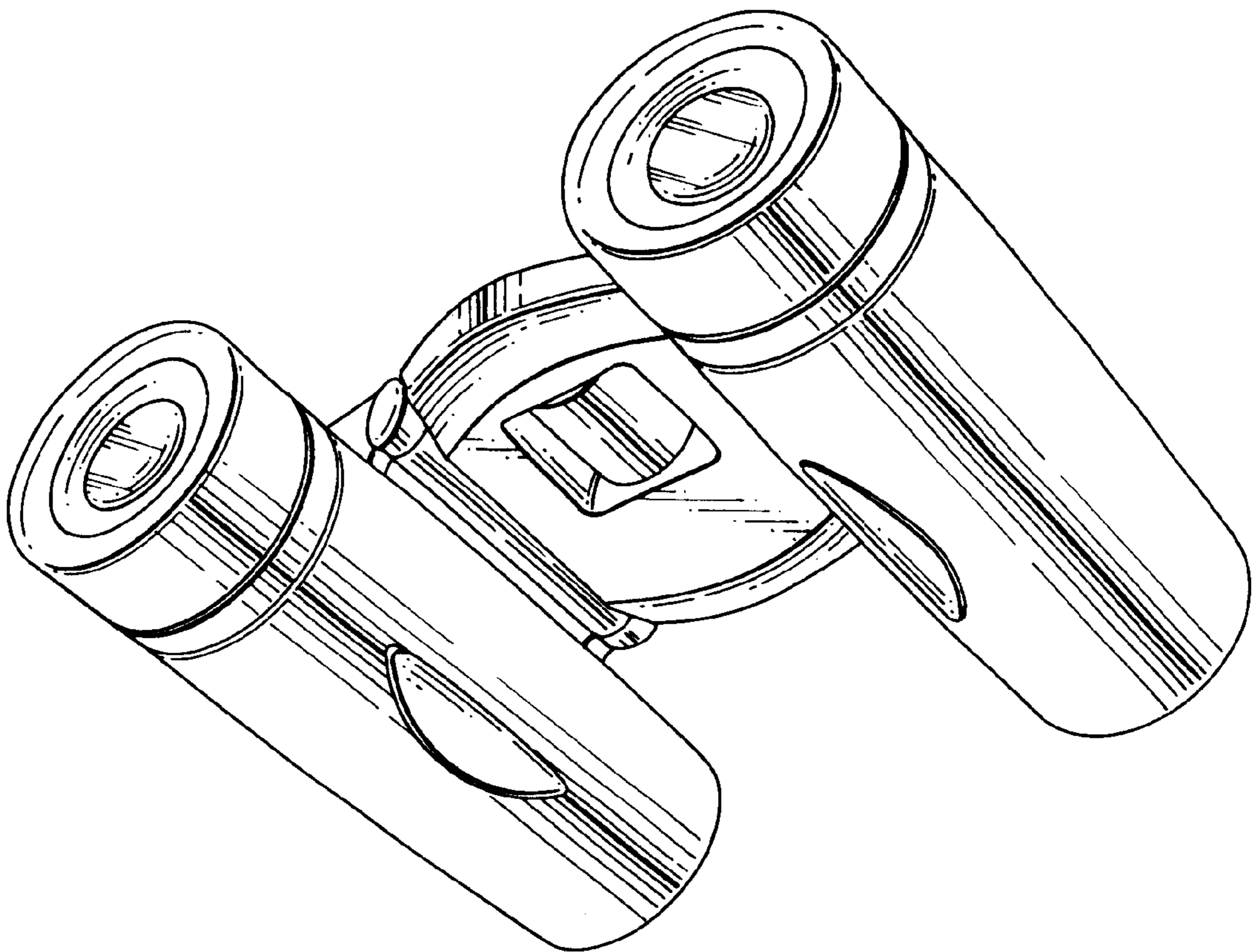


FIG. 3

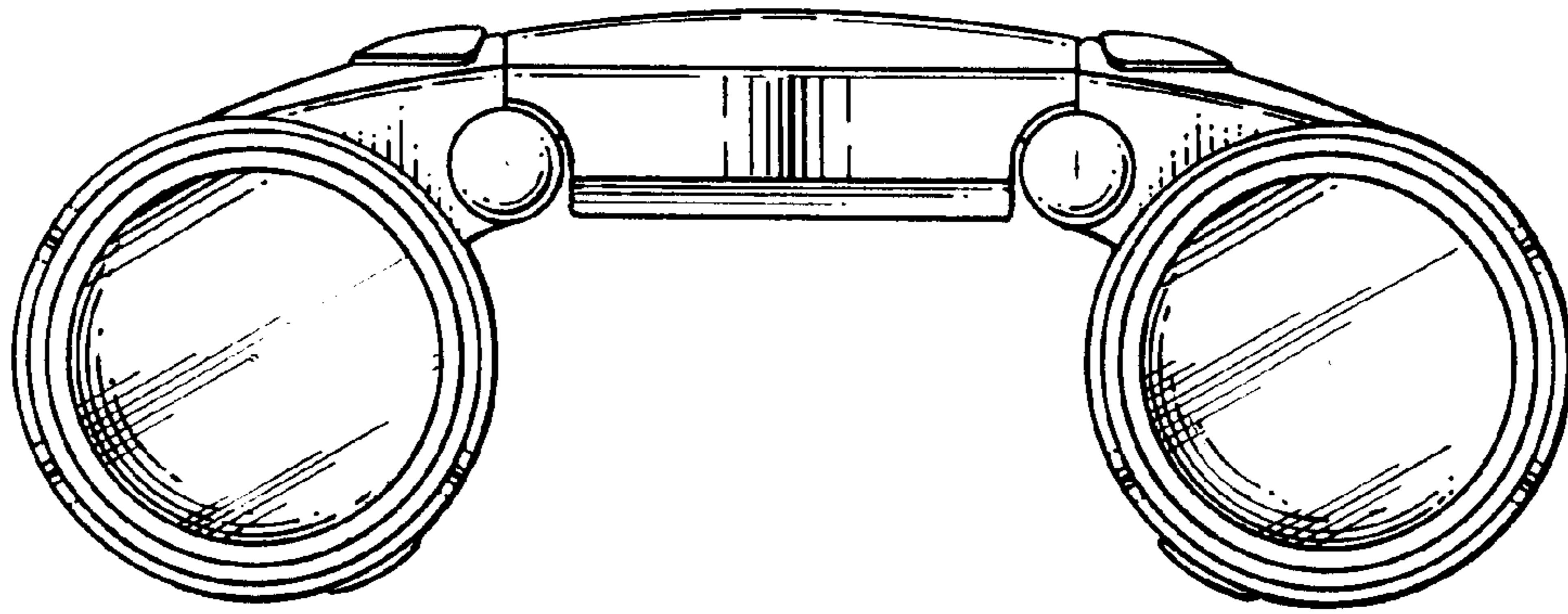


FIG. 4

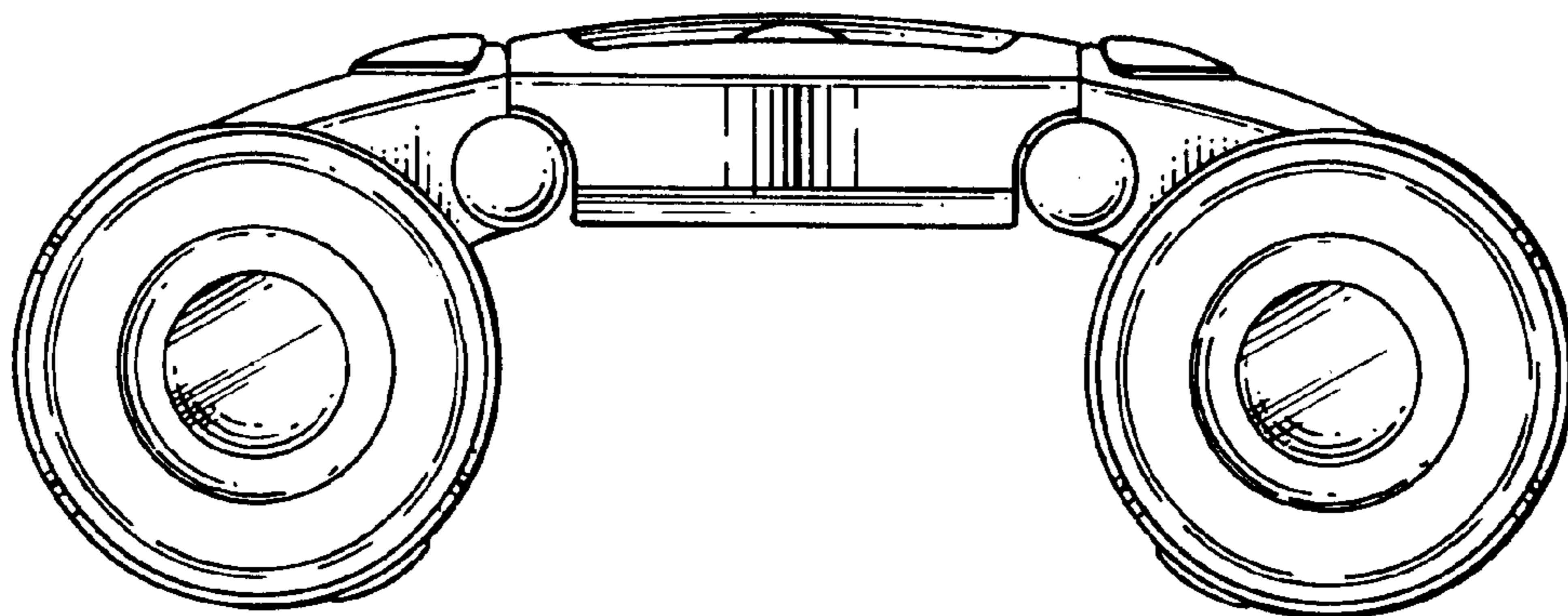


FIG. 5

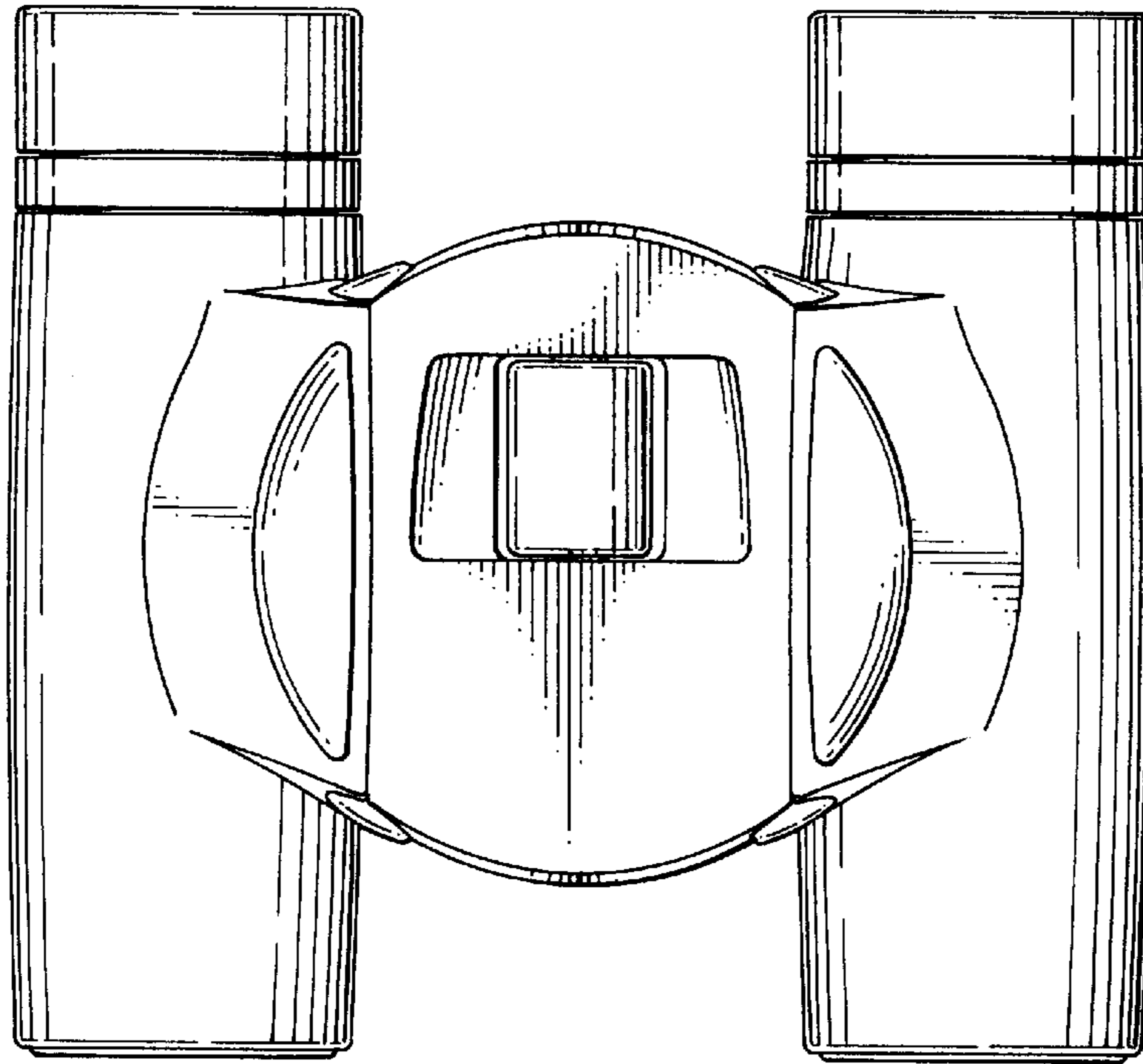


FIG. 6

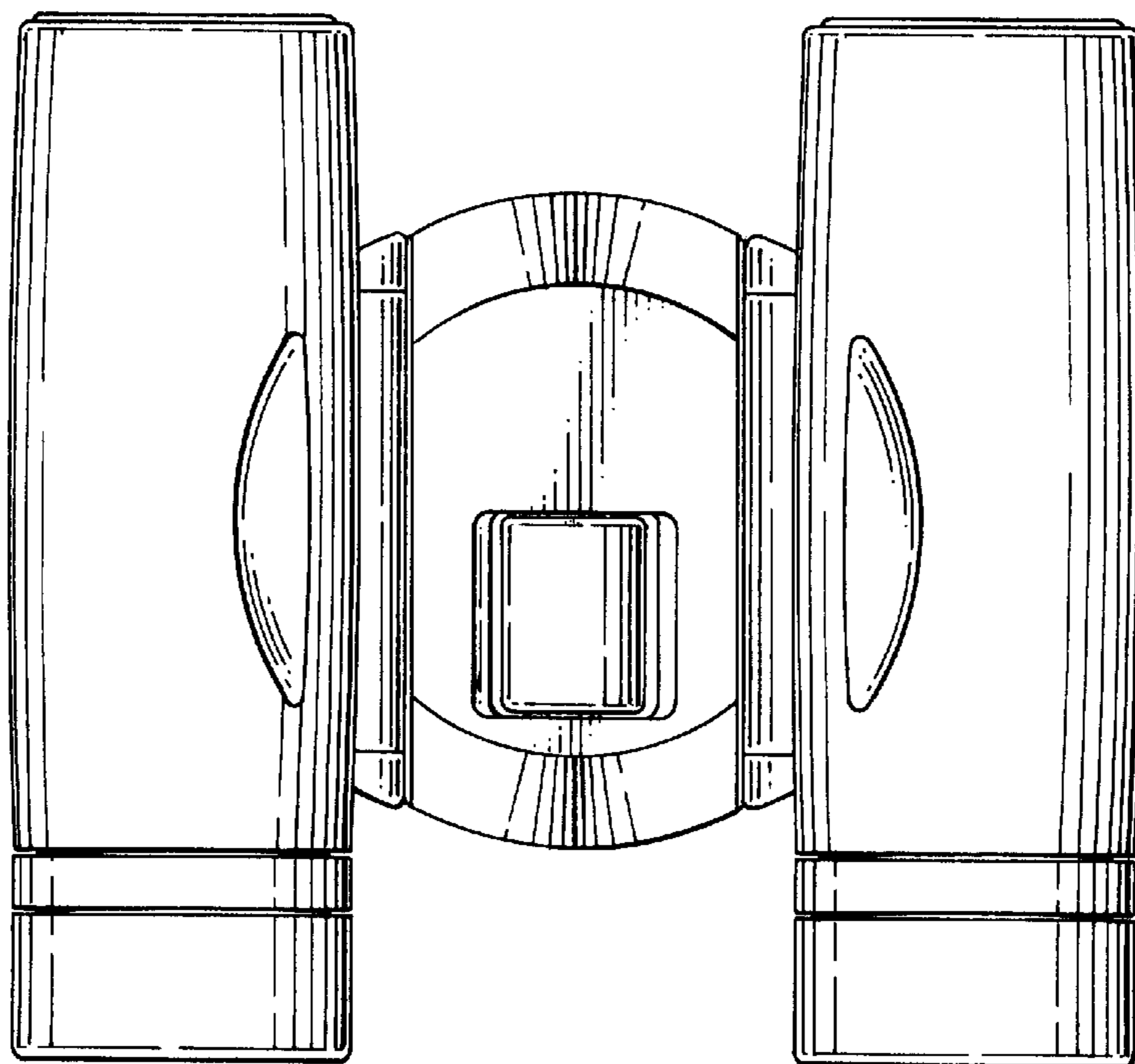


FIG. 7

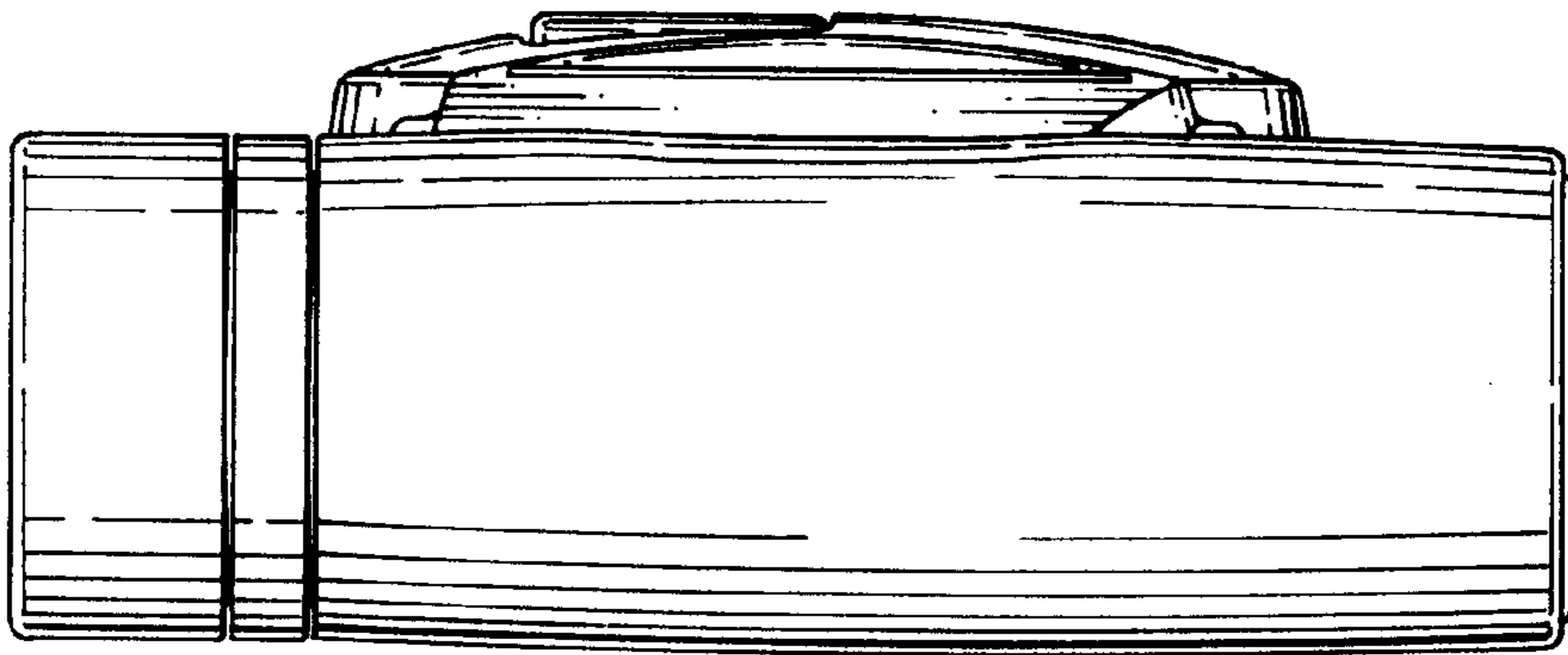


FIG. 8

