



US00D447155B1

(12) **United States Design Patent**
Lin Ku

(10) **Patent No.:** **US D447,155 S**

(45) **Date of Patent:** **** Aug. 28, 2001**

(54) **GRINDER**

(75) **Inventor:** **Jung-Mei Lin Ku, Tse-Chiang Sheng**
(CN)

(73) **Assignee:** **Ningbo Dai Ton Machinery Ind. Co., Ltd., Tse-Chiang Sheng (CN)**

(**) **Term:** **14 Years**

(21) **Appl. No.:** **29/124,665**

(22) **Filed:** **Jun. 9, 2000**

(51) **LOC (7) Cl.** **15-09**

(52) **U.S. Cl.** **D15/124**

(58) **Field of Search** **D15/124; 451/72,**
451/259-262

(56) **References Cited**

U.S. PATENT DOCUMENTS

D. 412,175 * 7/1999 Baughman D15/124

* cited by examiner

Primary Examiner—Antoine Duval Davis

(74) *Attorney, Agent, or Firm*—Brooks & Kushman P.C.

(57) **CLAIM**

The ornamental design for grinder, as shown and described.

DESCRIPTION

FIG. 1 is a perspective view of grinder showing my new design;

FIG. 2 is a front elevational view thereof;

FIG. 3 is a rear elevational view thereof;

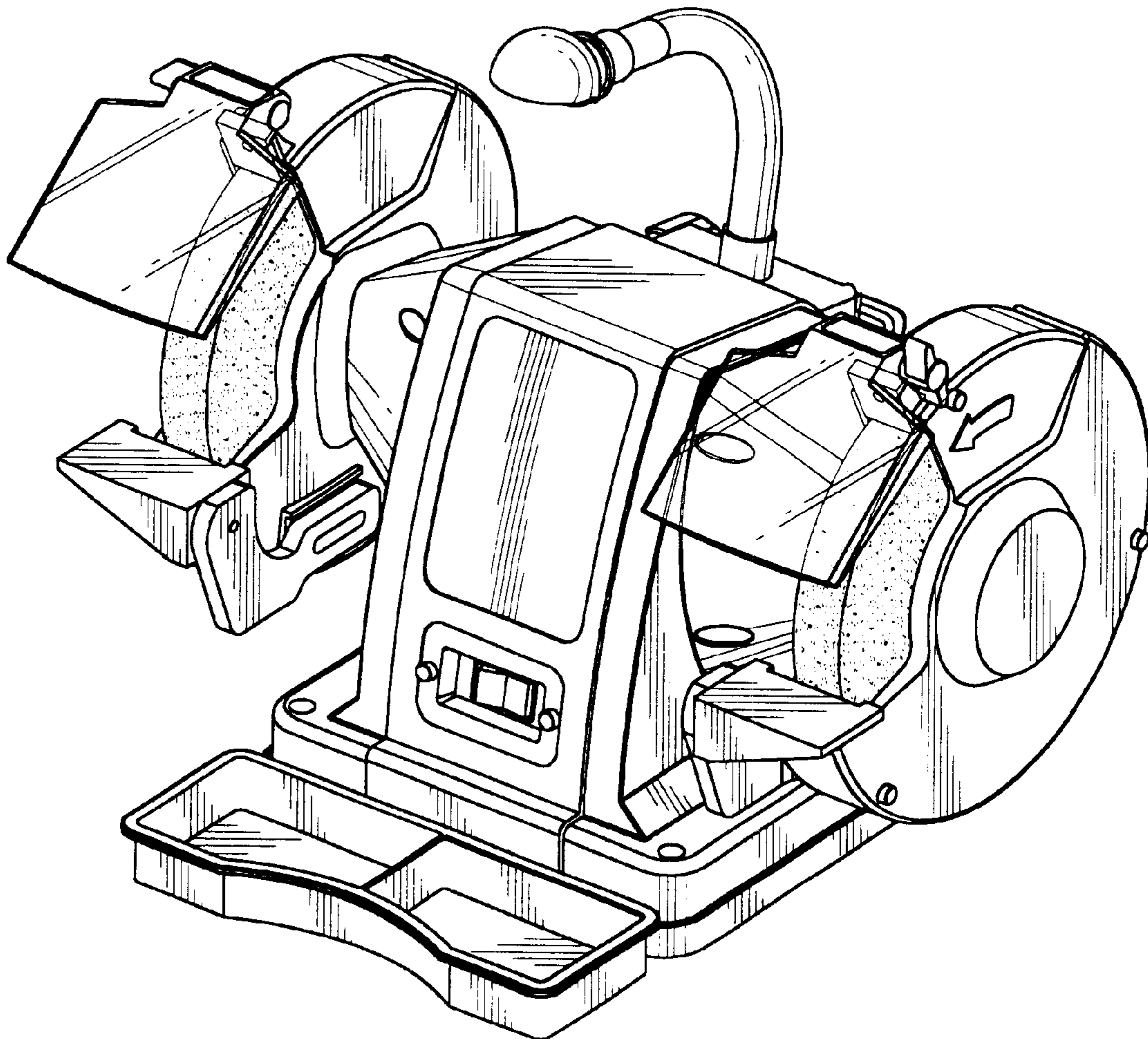
FIG. 4 is a left side elevational view thereof;

FIG. 5 is a right side elevational view thereof;

FIG. 6 is a top plan view thereof; and,

FIG. 7 is a bottom plan view thereof.

1 Claim, 7 Drawing Sheets



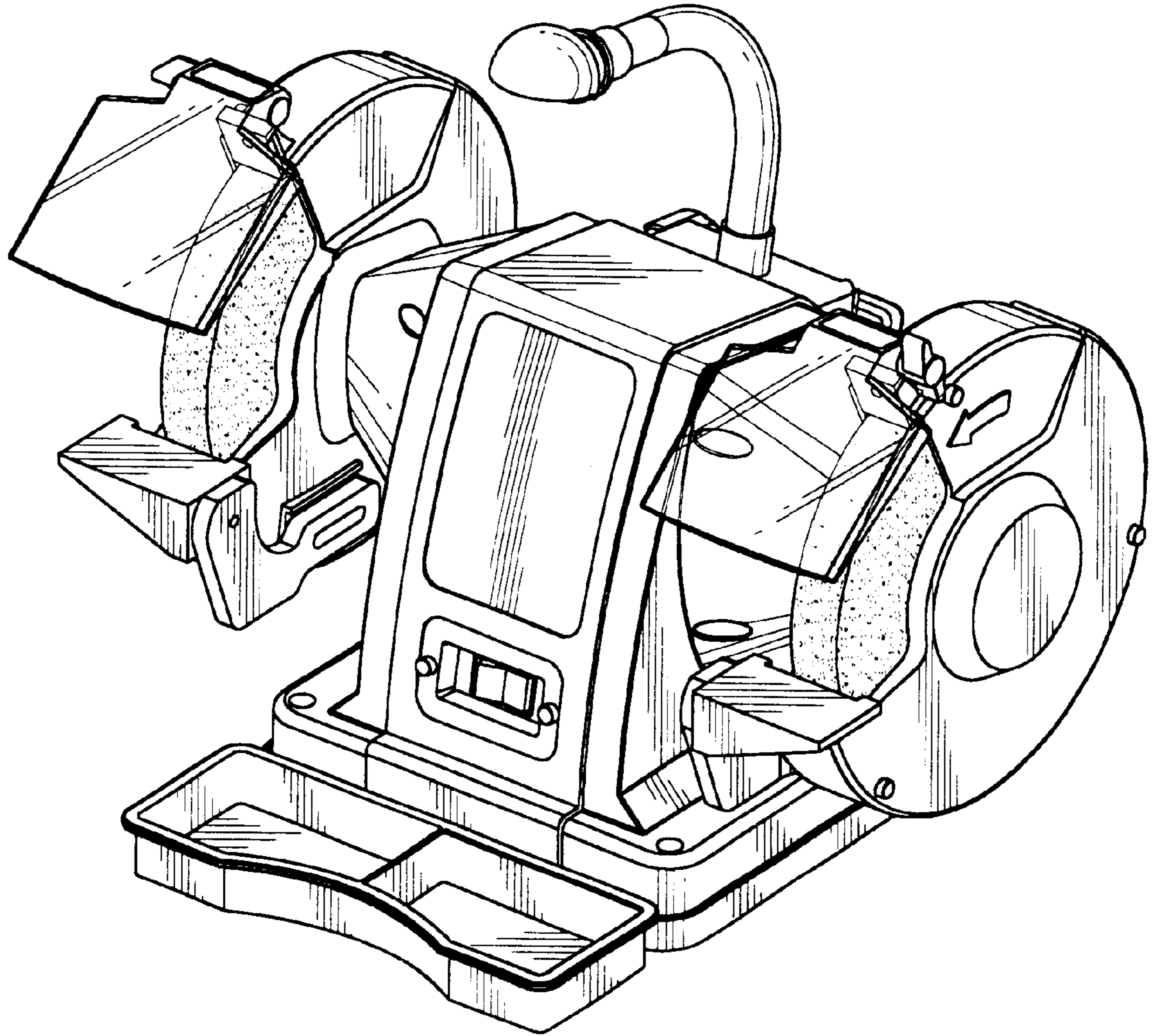


FIG. 1

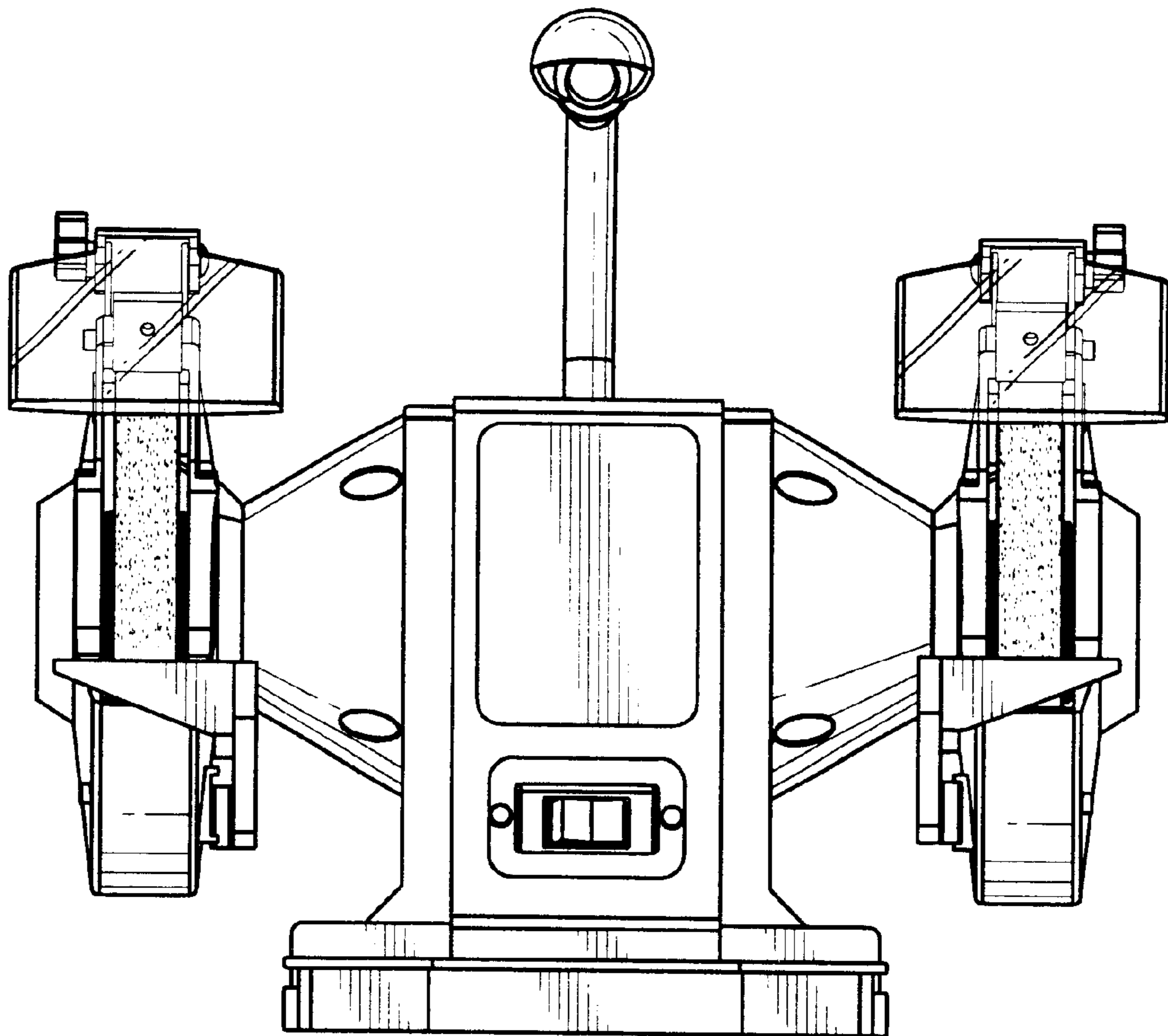


FIG. 2

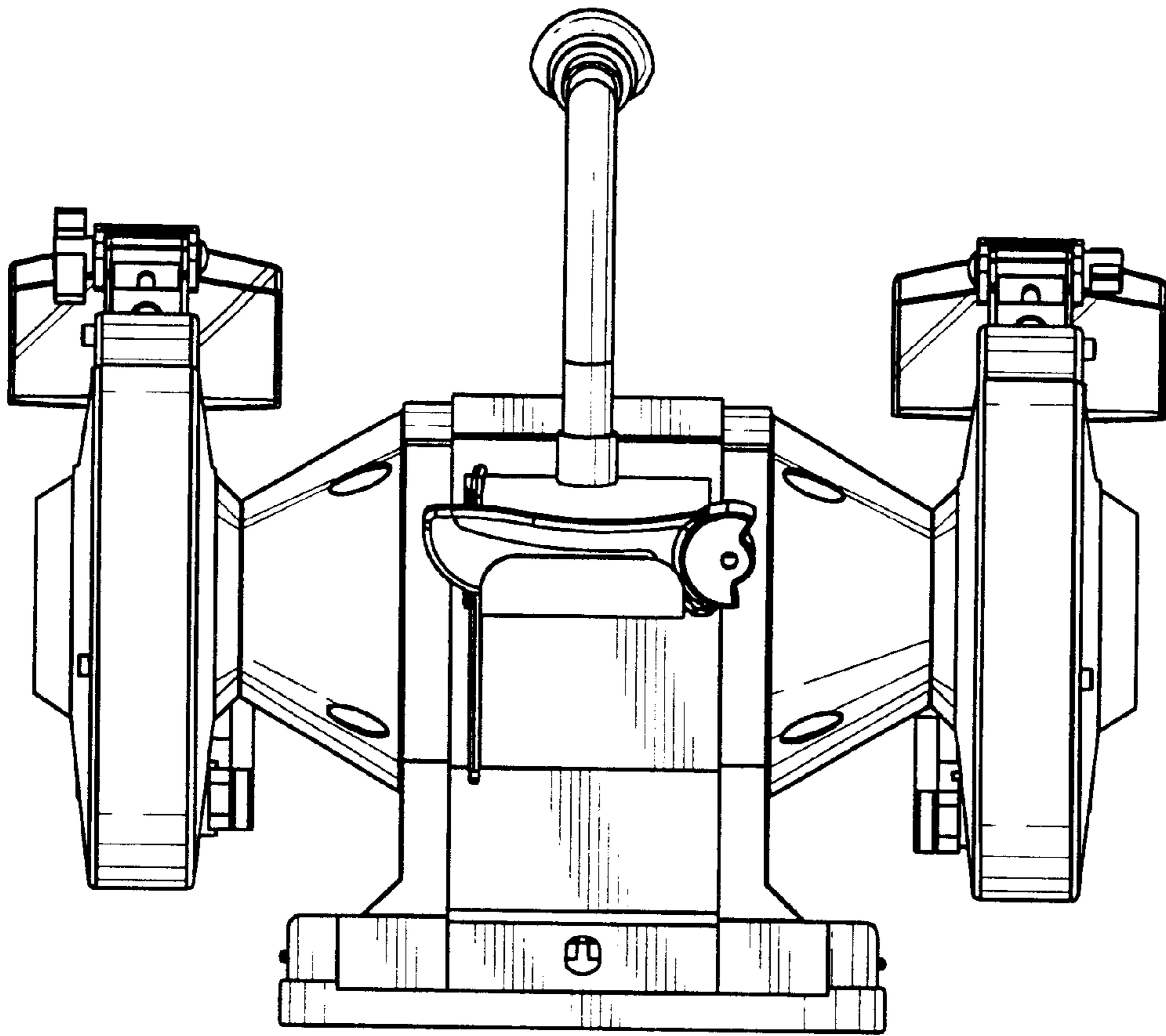


FIG. 3

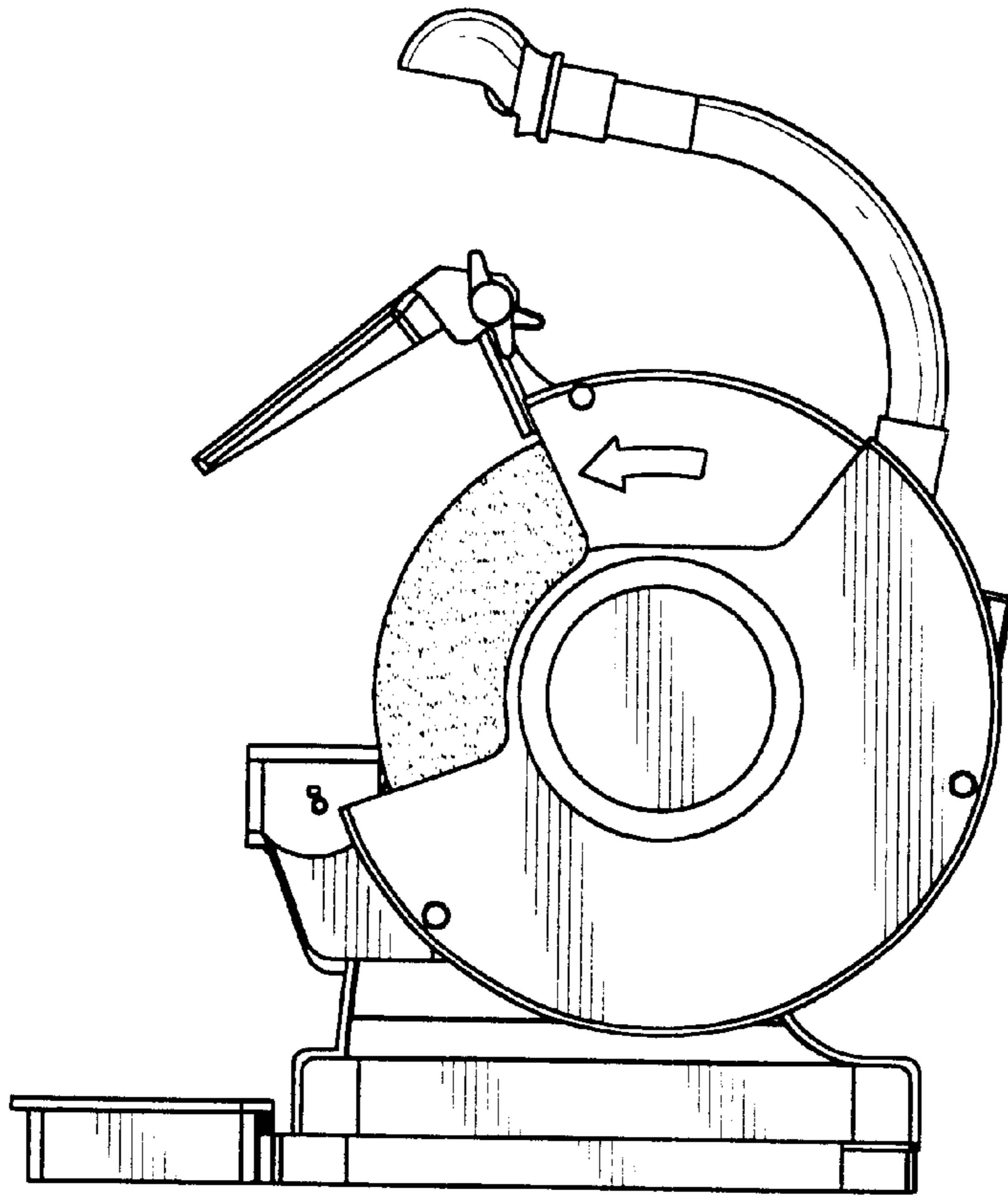


FIG. 4

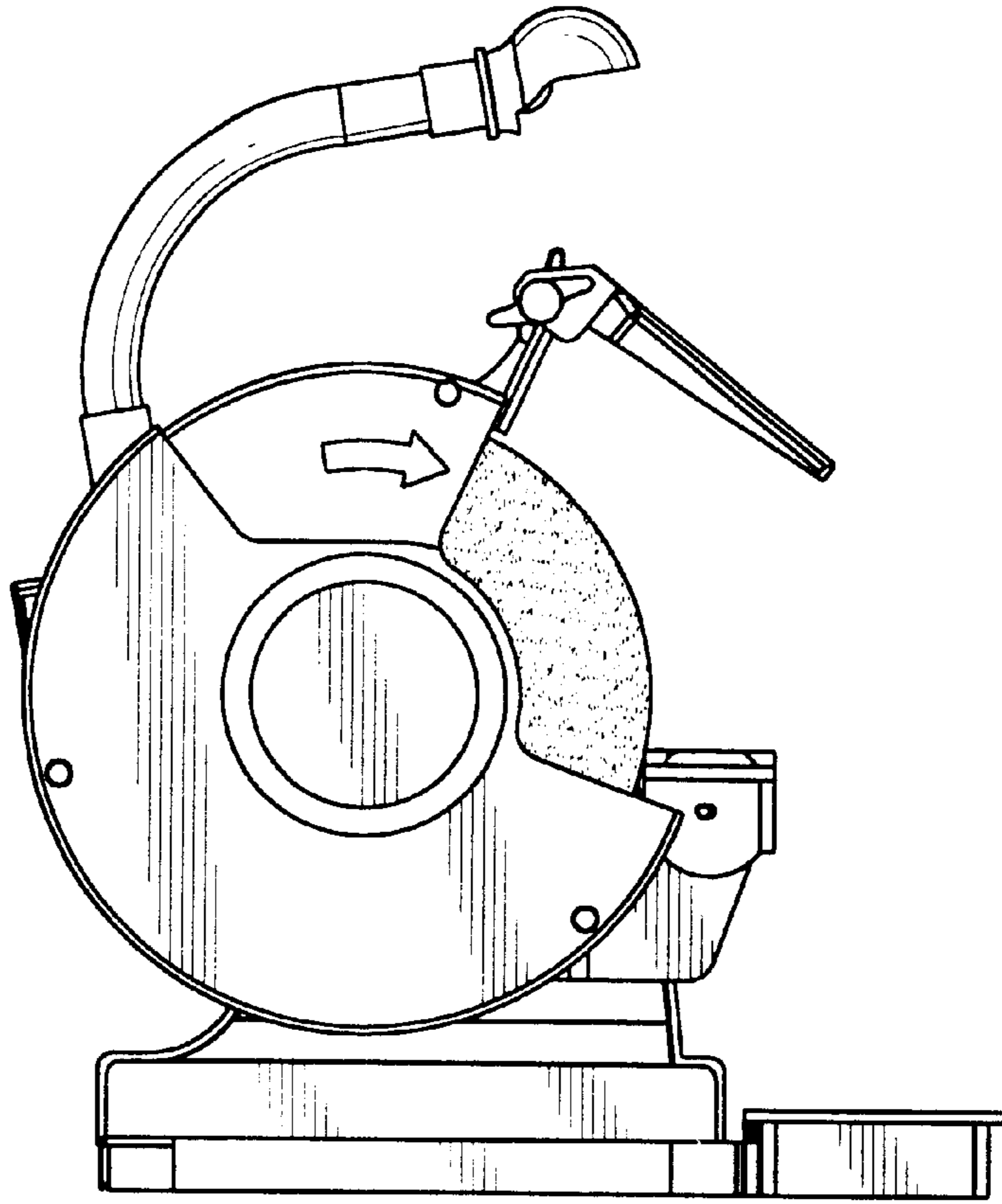


FIG. 5

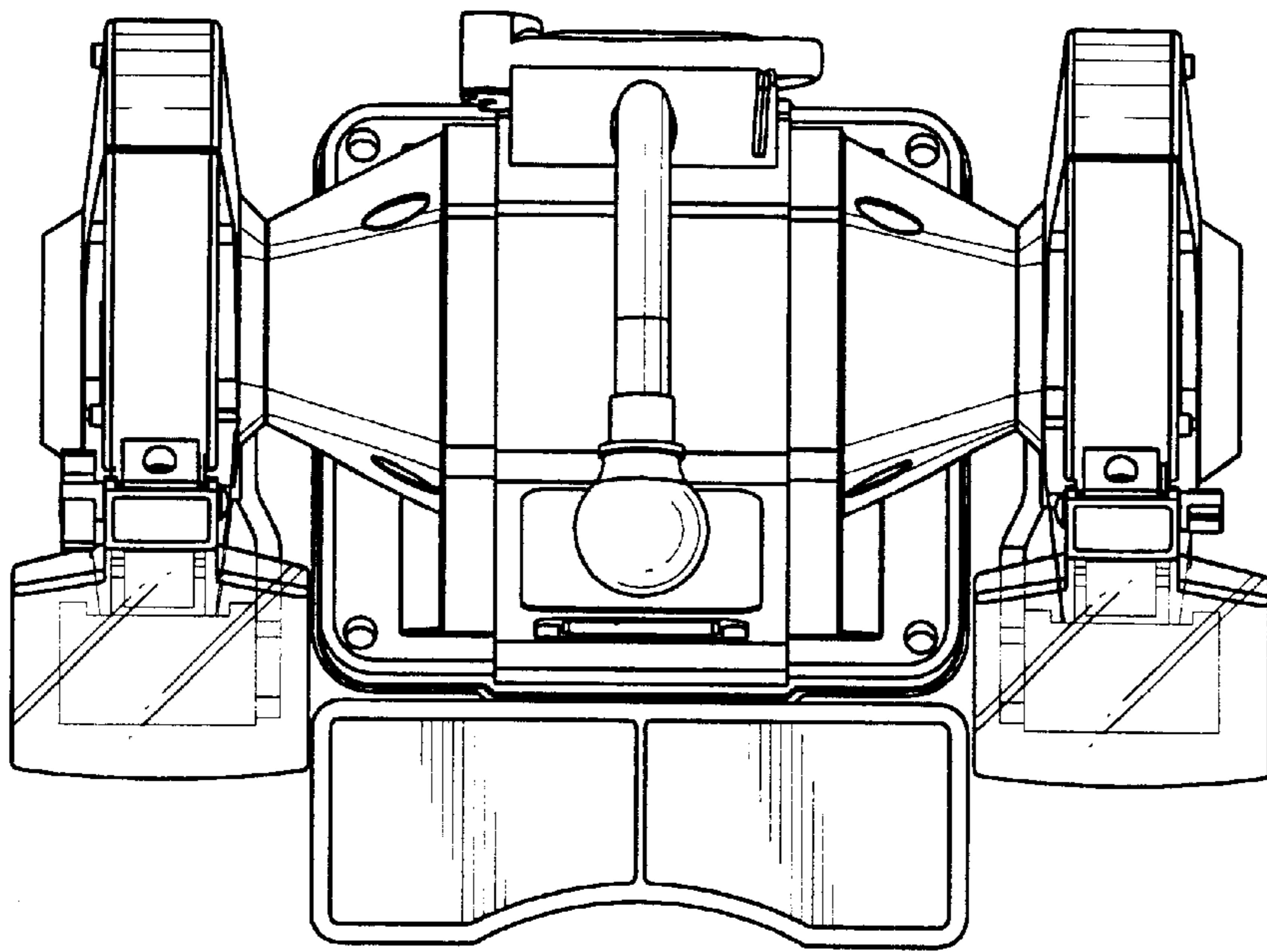


FIG. 6

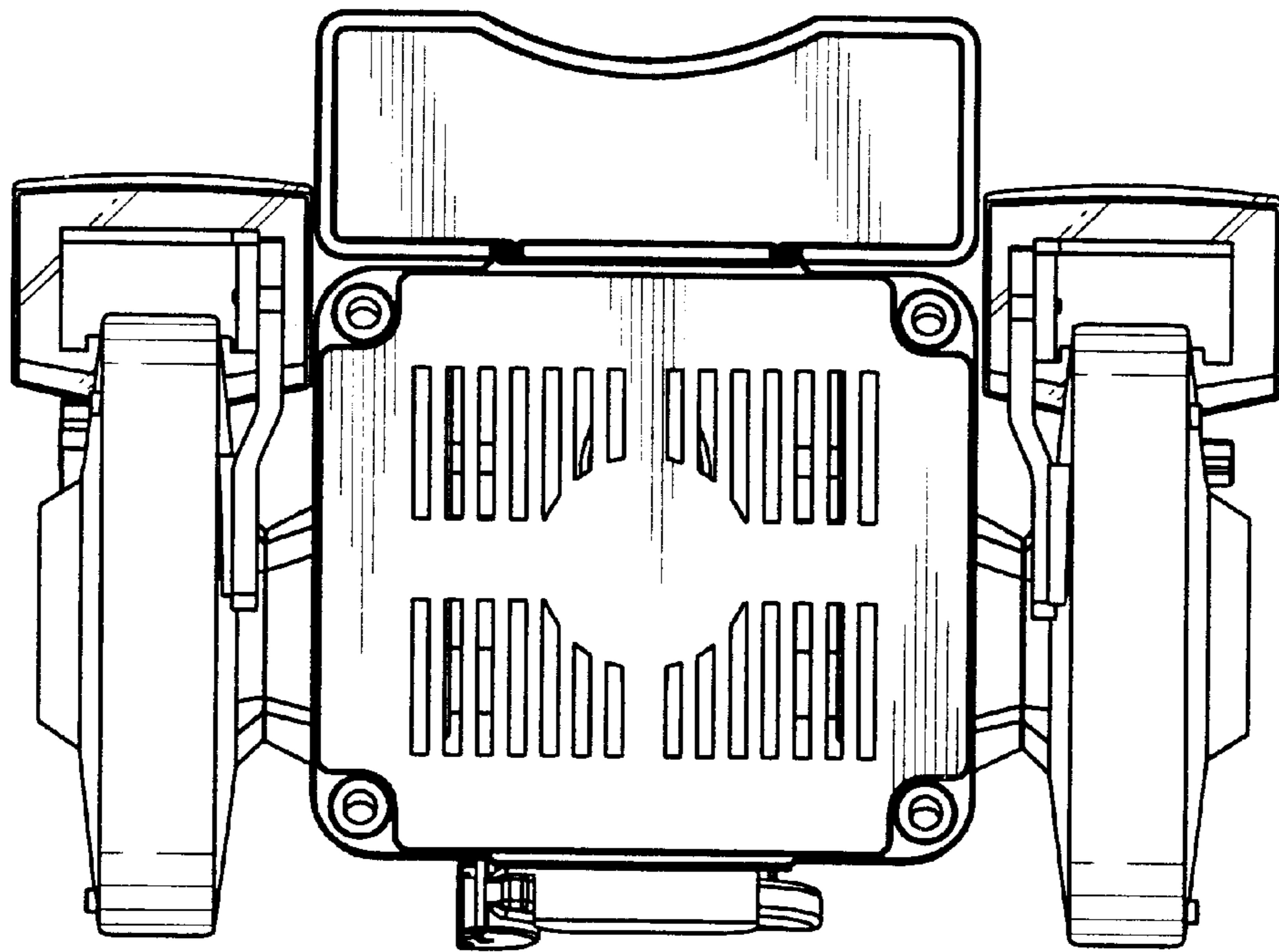


FIG. 7