



US00D447154B1

(12) **United States Design Patent**  
**Clendenning**

(10) **Patent No.:** **US D447,154 S**

(45) **Date of Patent:** **\*\* Aug. 28, 2001**

(54) **DIGGING TOOTH**

(75) Inventor: **Charles Clendenning**, Broken Arrow, OK (US)

(73) Assignee: **H&L Tooth Company**, Tulsa, OK (US)

(\*\*) Term: **14 Years**

(21) Appl. No.: **29/127,123**

(22) Filed: **Jul. 31, 2000**

**Related U.S. Application Data**

(62) Division of application No. 29/112,693, filed on Oct. 21, 1999, now Pat. No. Des. 436,116.

(51) **LOC (7) Cl.** ..... **15-04**

(52) **U.S. Cl.** ..... **D15/29**

(58) **Field of Search** ..... D15/10, 25, 28, D15/29; 37/452-455

(56) **References Cited**

**U.S. PATENT DOCUMENTS**

3,425,117 \* 2/1969 Hill ..... 37/452  
3,444,633 \* 5/1969 Hensley ..... 37/452

3,623,247 \* 11/1971 Stepe .  
4,481,728 \* 11/1984 Mulder et al. .... 37/452  
4,611,418 \* 9/1986 Launder ..... 37/457  
4,949,481 \* 8/1990 Fellner ..... 37/452  
5,018,283 \* 5/1991 Fellner ..... 37/452  
5,802,752 \* 9/1998 Quarfordt ..... 37/452

\* cited by examiner

*Primary Examiner*—Sandra L. Morris

(74) *Attorney, Agent, or Firm*—John W. Harbst

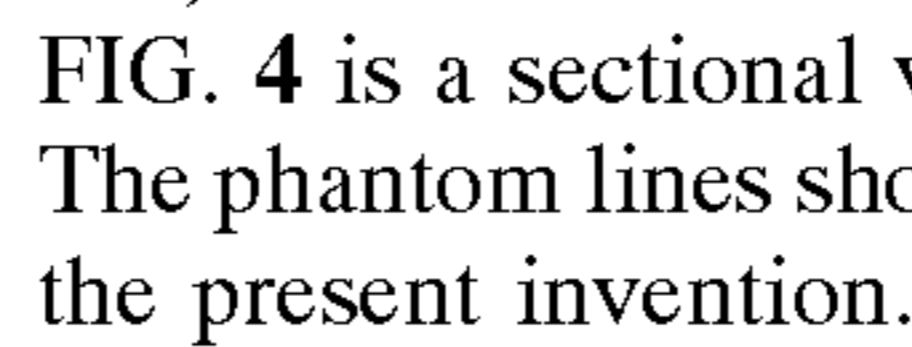
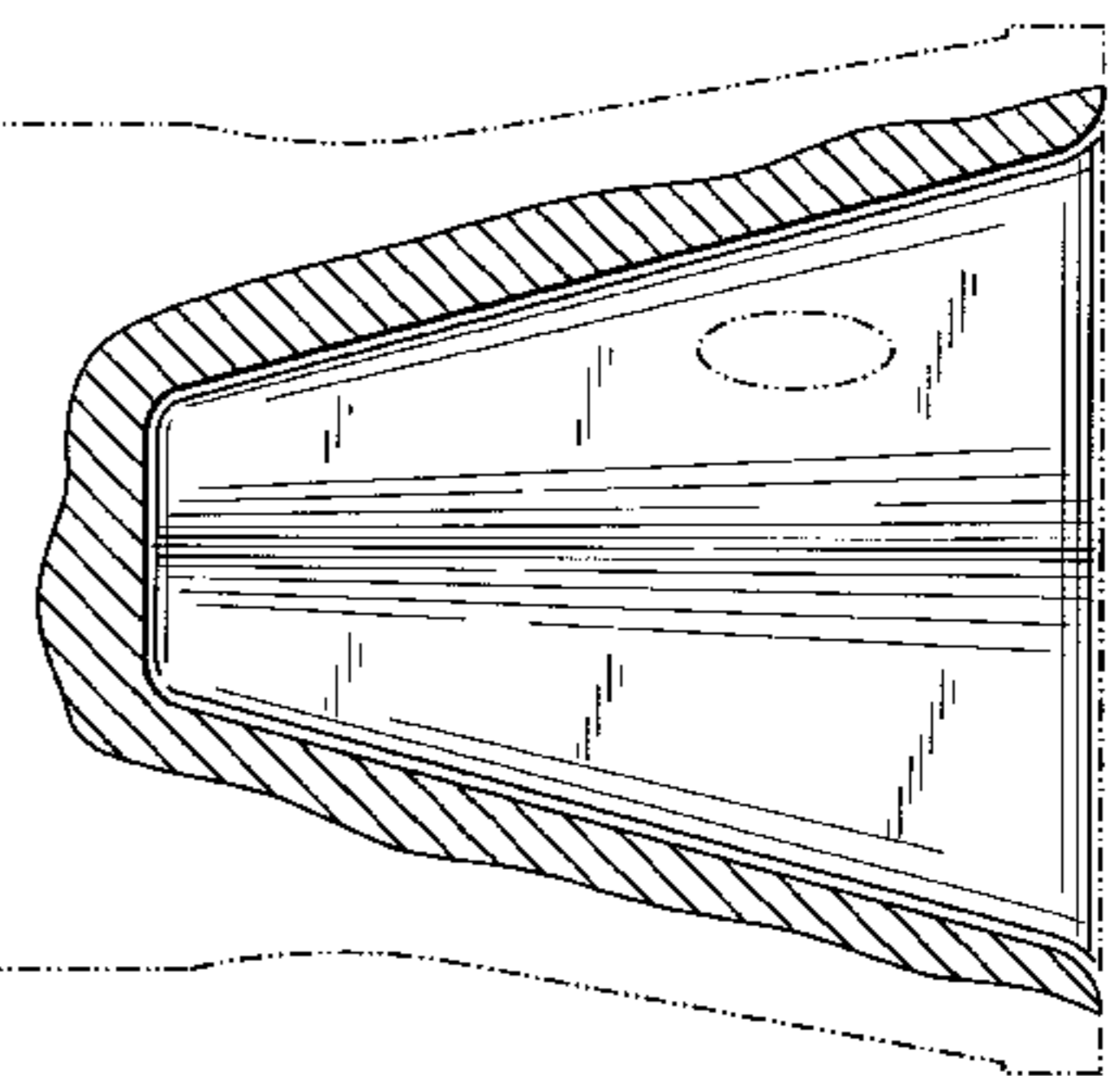
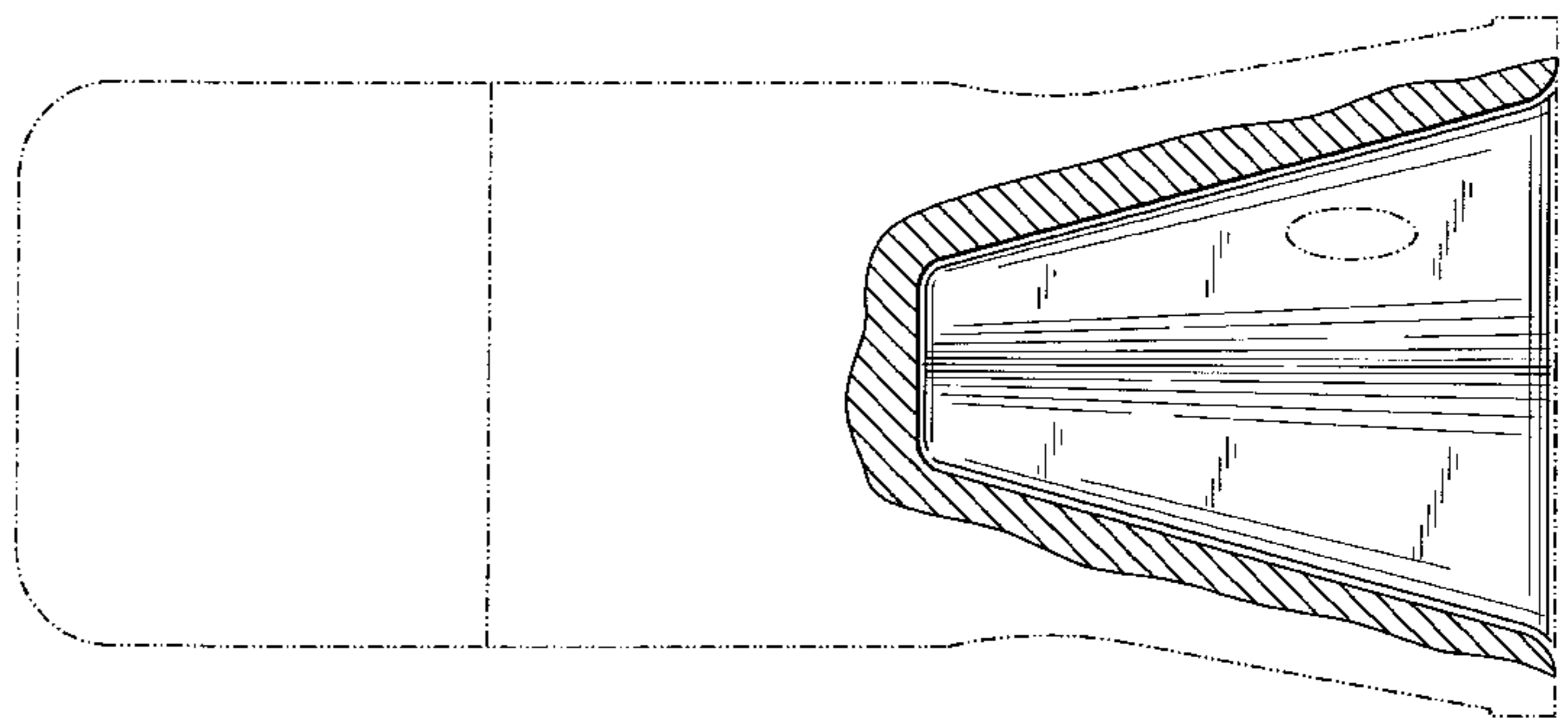
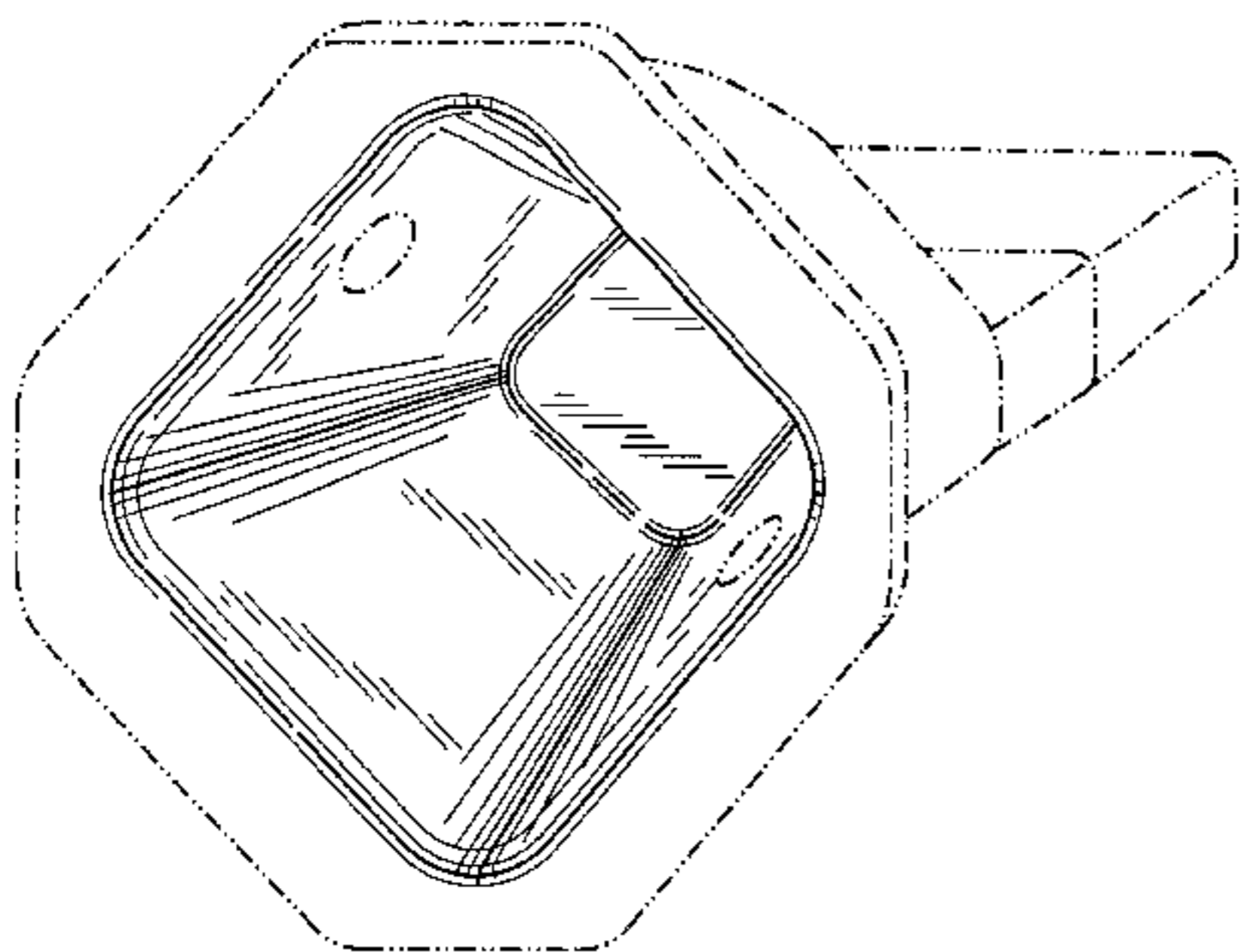
(57) **CLAIM**

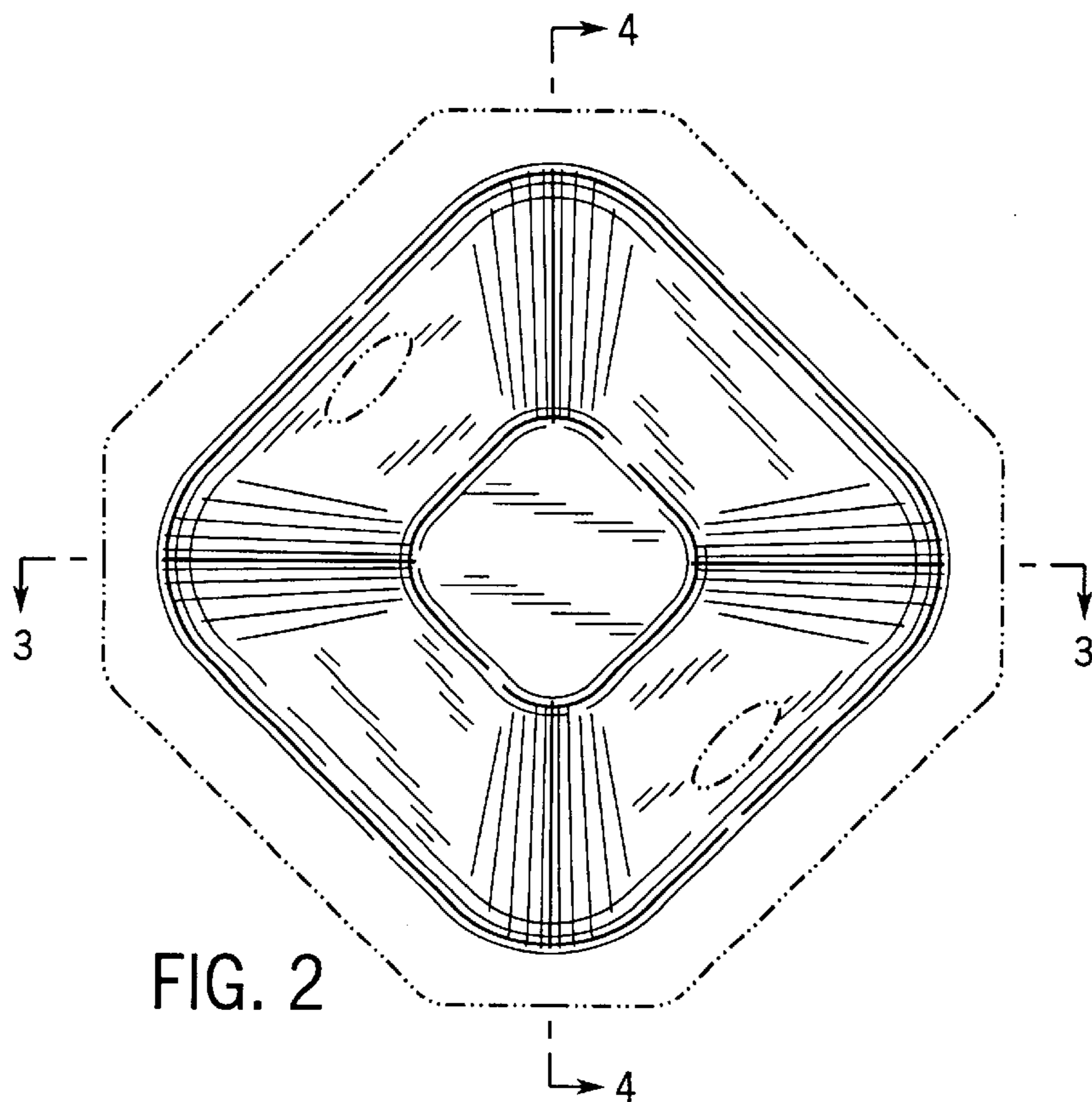
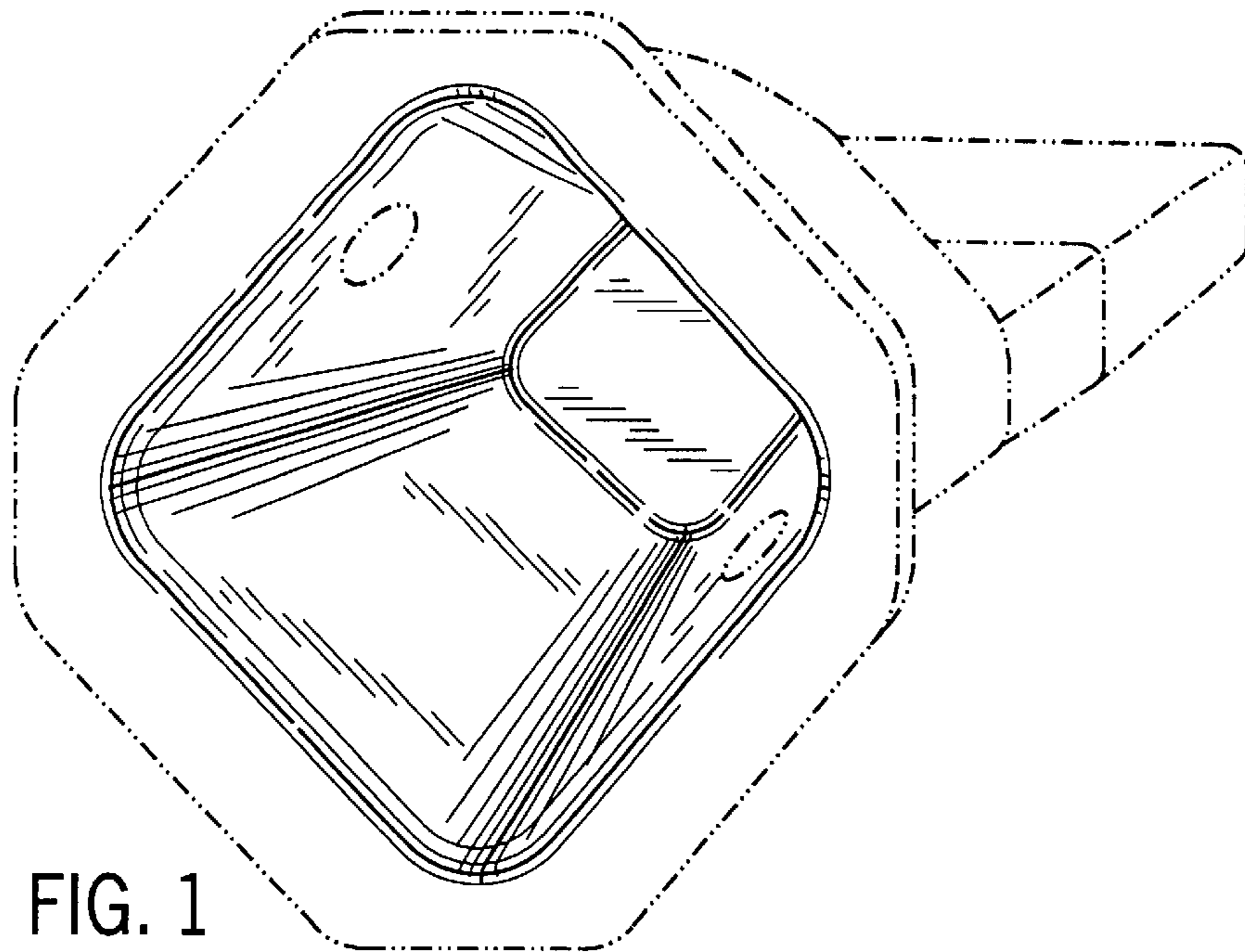
The ornamental design for a digging tooth, as shown and described.

**DESCRIPTION**

FIG. 1 is a rear, right side perspective view of a digging tooth showing one embodiment of my new design;  
FIG. 2 is a rear elevational view thereof;  
FIG. 3 is a sectional view taken along line 3—3 of FIG. 2; and,  
FIG. 4 is a sectional view taken along line 4—4 of FIG. 2. The phantom lines shown in the drawings forming no part of the present invention.

**1 Claim, 3 Drawing Sheets**





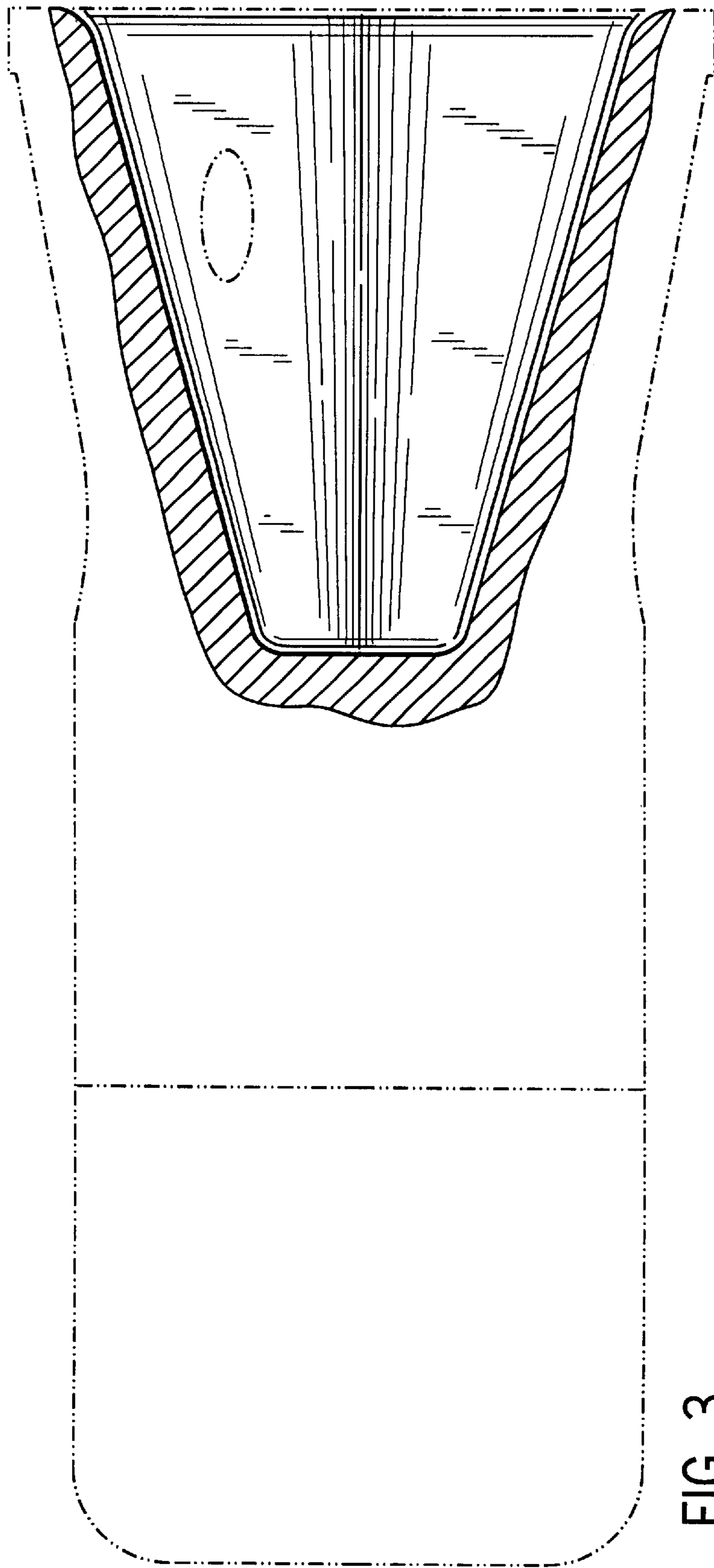


FIG. 3

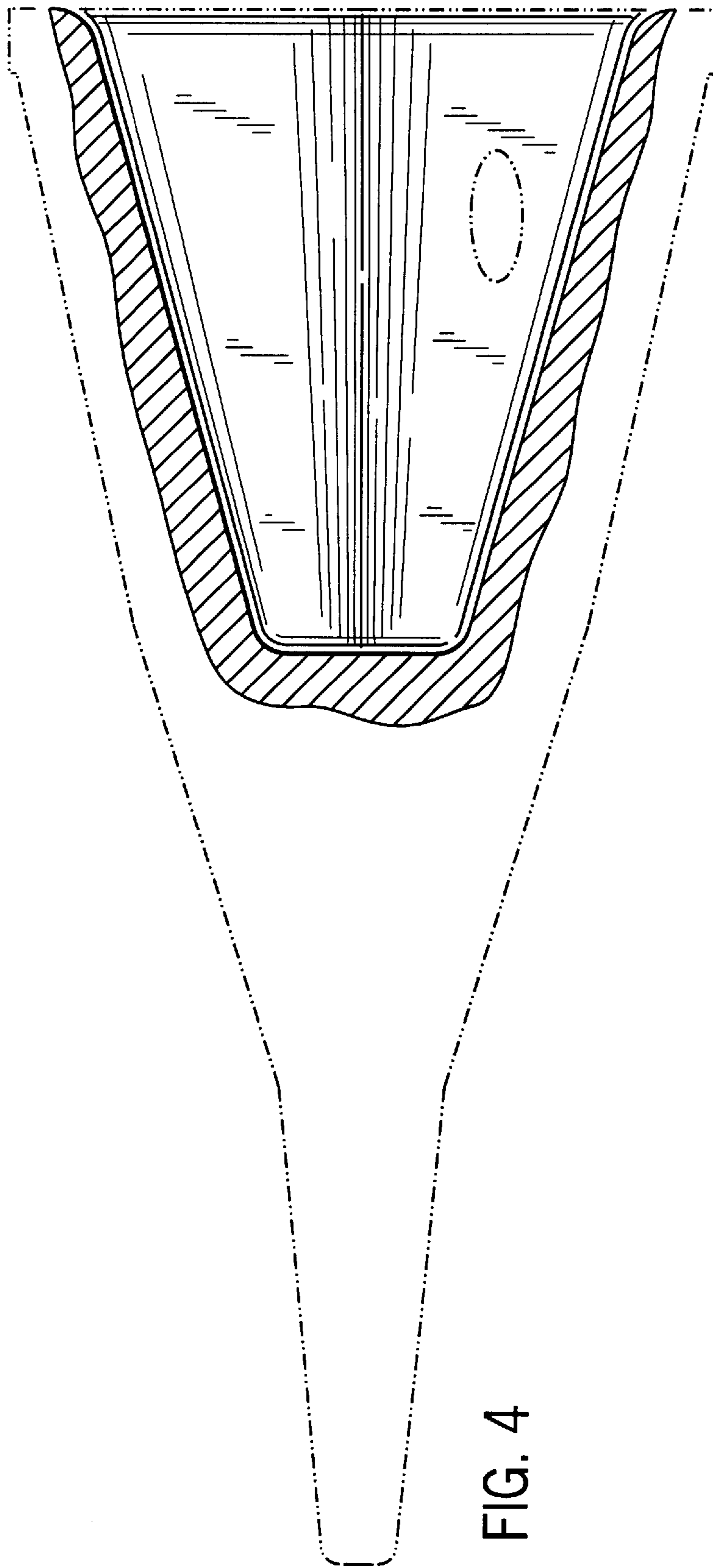


FIG. 4