



US00D447153B1

(12) **United States Design Patent**
Hornung

(10) **Patent No.:** **US D447,153 S**

(45) **Date of Patent:** **** Aug. 28, 2001**

(54) **MOWER HOOD**

(75) **Inventor:** **Stefan J. Hornung**, Medina, OH (US)

(73) **Assignee:** **MTD Products Inc**, Cleveland, OH (US)

(**) **Term:** **14 Years**

(21) **Appl. No.:** **29/121,359**

(22) **Filed:** **Apr. 3, 2000**

(51) **LOC (7) Cl.** **15-03**

(52) **U.S. Cl.** **D15/17**

(58) **Field of Search** D15/14-18, 23,
D15/28, 31; 56/13.3, 13.4, 16.1, 15.8, 15.9,
16.7, 202, 255, 294, 320.1, 320.2; 180/900,
273, 68.6, 69.21

(56) **References Cited**

U.S. PATENT DOCUMENTS

- D. 209,043 * 10/1967 Purcell et al. D15/28
- D. 248,397 * 7/1978 Cognata et al. D15/15
- D. 297,538 * 9/1988 Ogasawara et al. D15/15
- D. 354,756 * 1/1995 Hinklin D15/15

- D. 383,470 * 9/1997 Westimayer et al. D15/31
- D. 440,233 * 4/2001 Smith D15/17
- D. 440,982 * 4/2001 Knight et al. D15/23
- 4,620,575 * 11/1986 Cuba et al. 180/307

* cited by examiner

Primary Examiner—Mitchell Siegel

(74) *Attorney, Agent, or Firm*—Emerson & Skeriotis;
Roger D. Emerson; Daniel A. Thomson

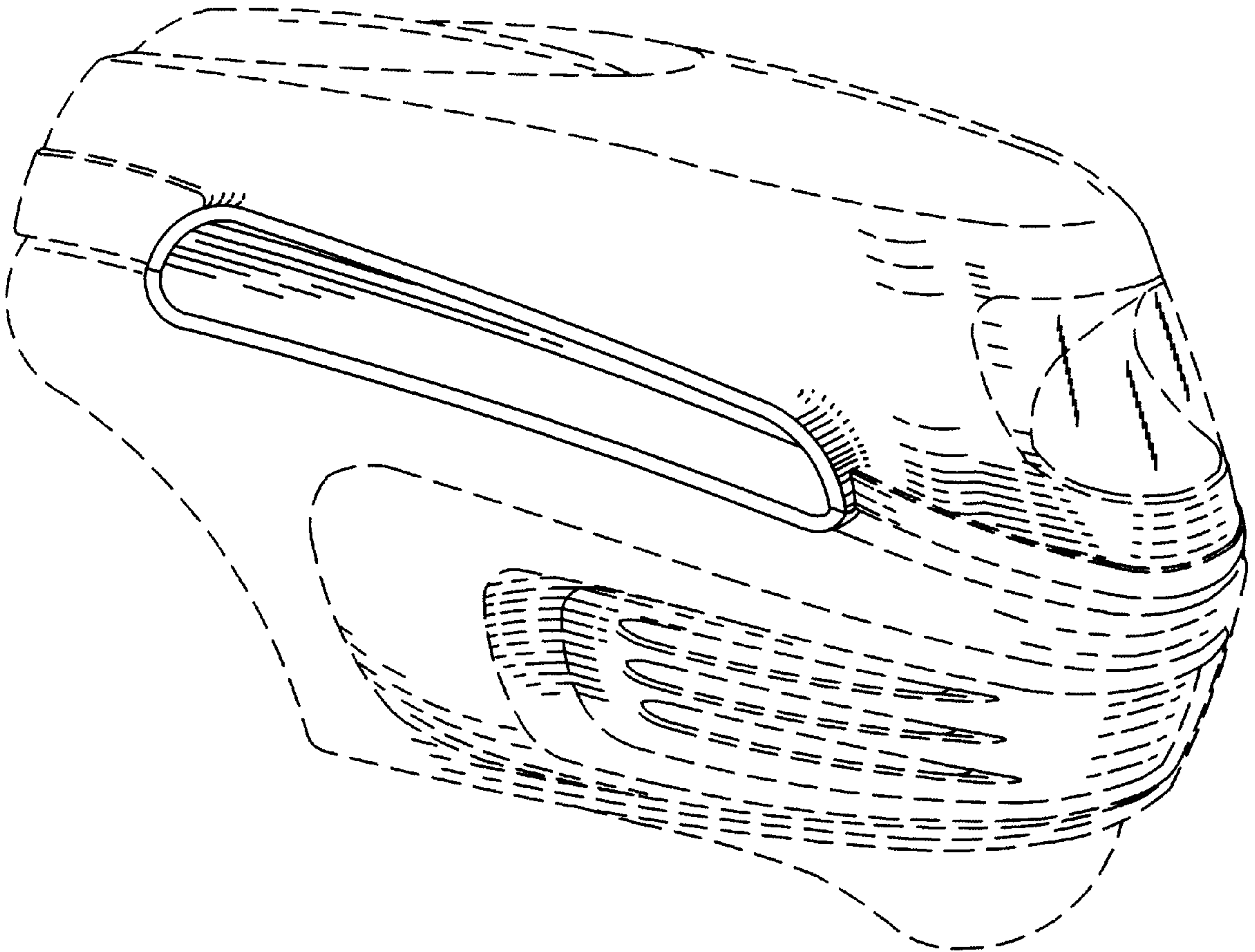
(57) **CLAIM**

The ornamental design for a mower hood, as shown.

DESCRIPTION

FIG. 1 is a perspective view showing the new design;
 FIG. 2 is a perspective view thereof, showing the air induction system;
 FIG. 3 is a perspective view of a lawn mower encompassing the new design;
 FIG. 4 is a side view of the lawn mower encompassing the new design;
 FIG. 5 is a front view showing the new design;
 FIG. 6 is a back perspective view thereof; and,
 FIG. 7 is a top view thereof.

1 Claim, 7 Drawing Sheets



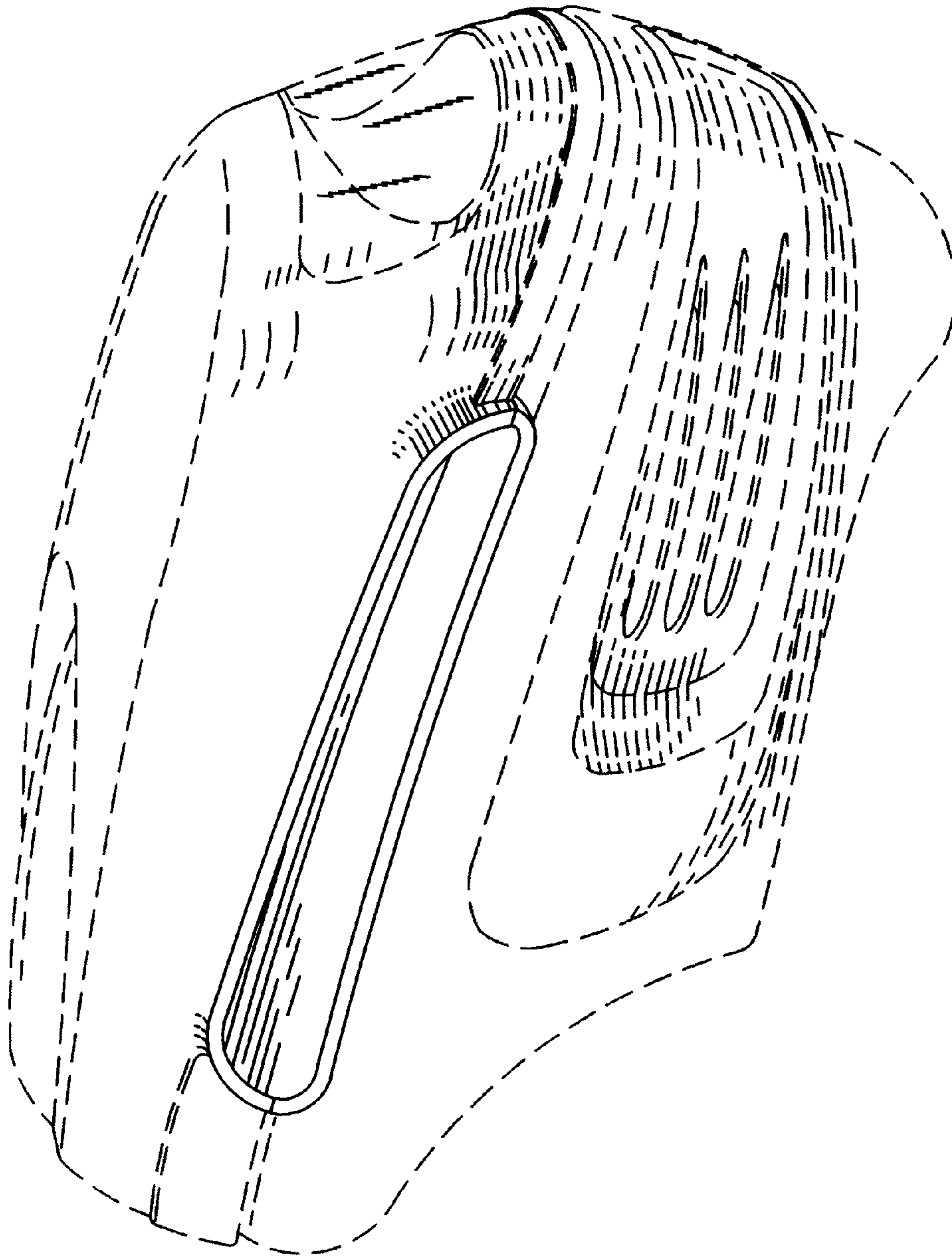


FIG-1

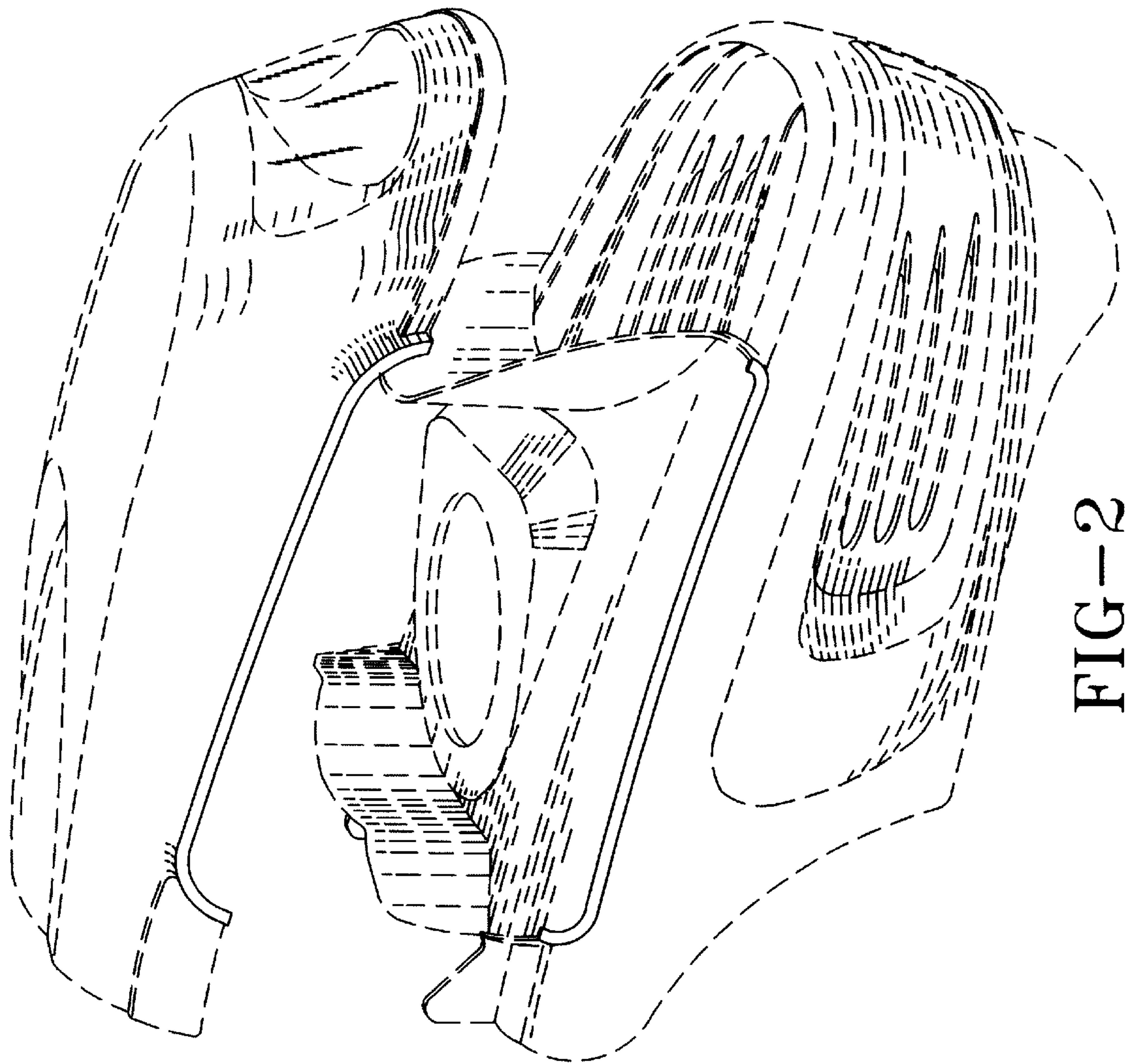


FIG-2

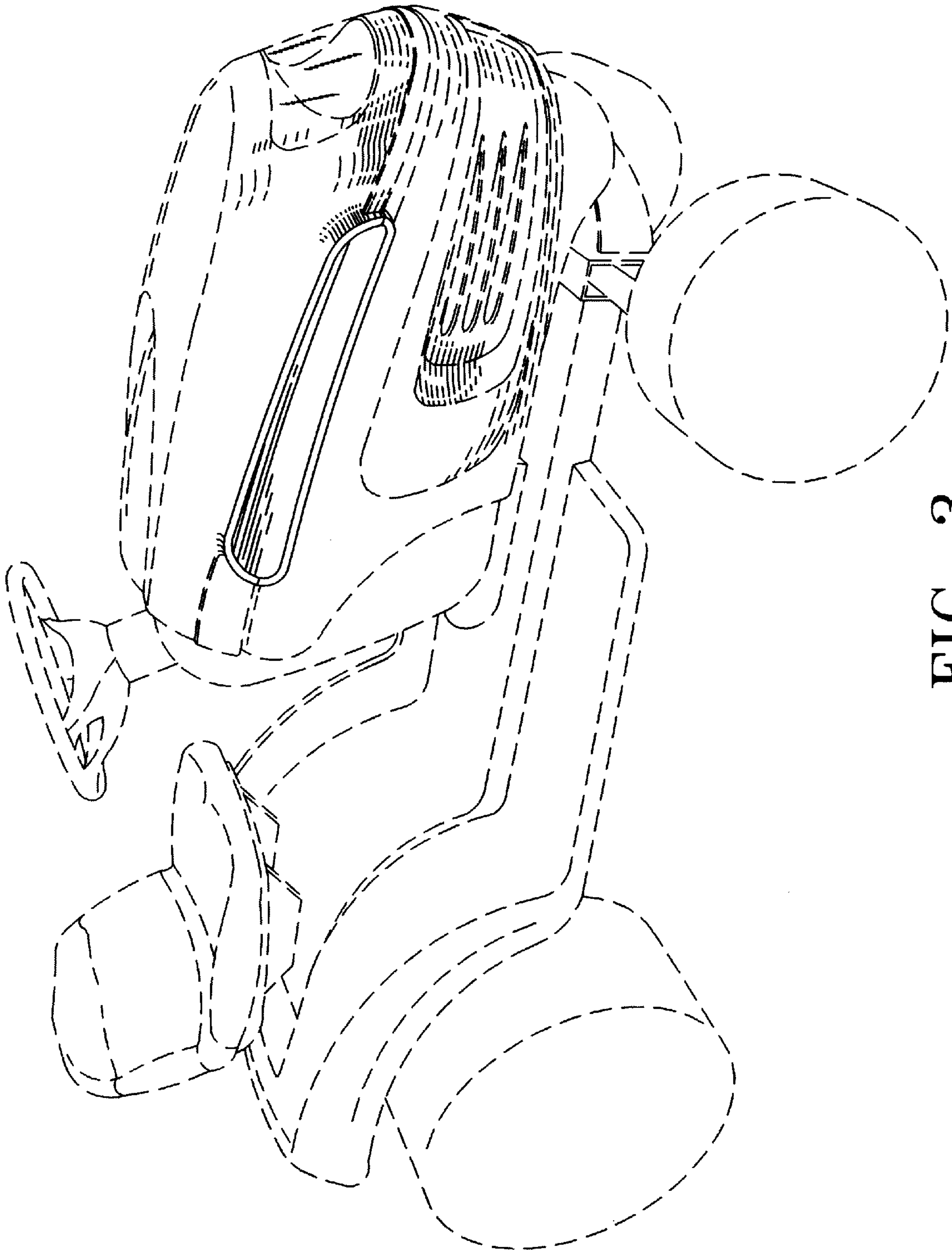


FIG-3

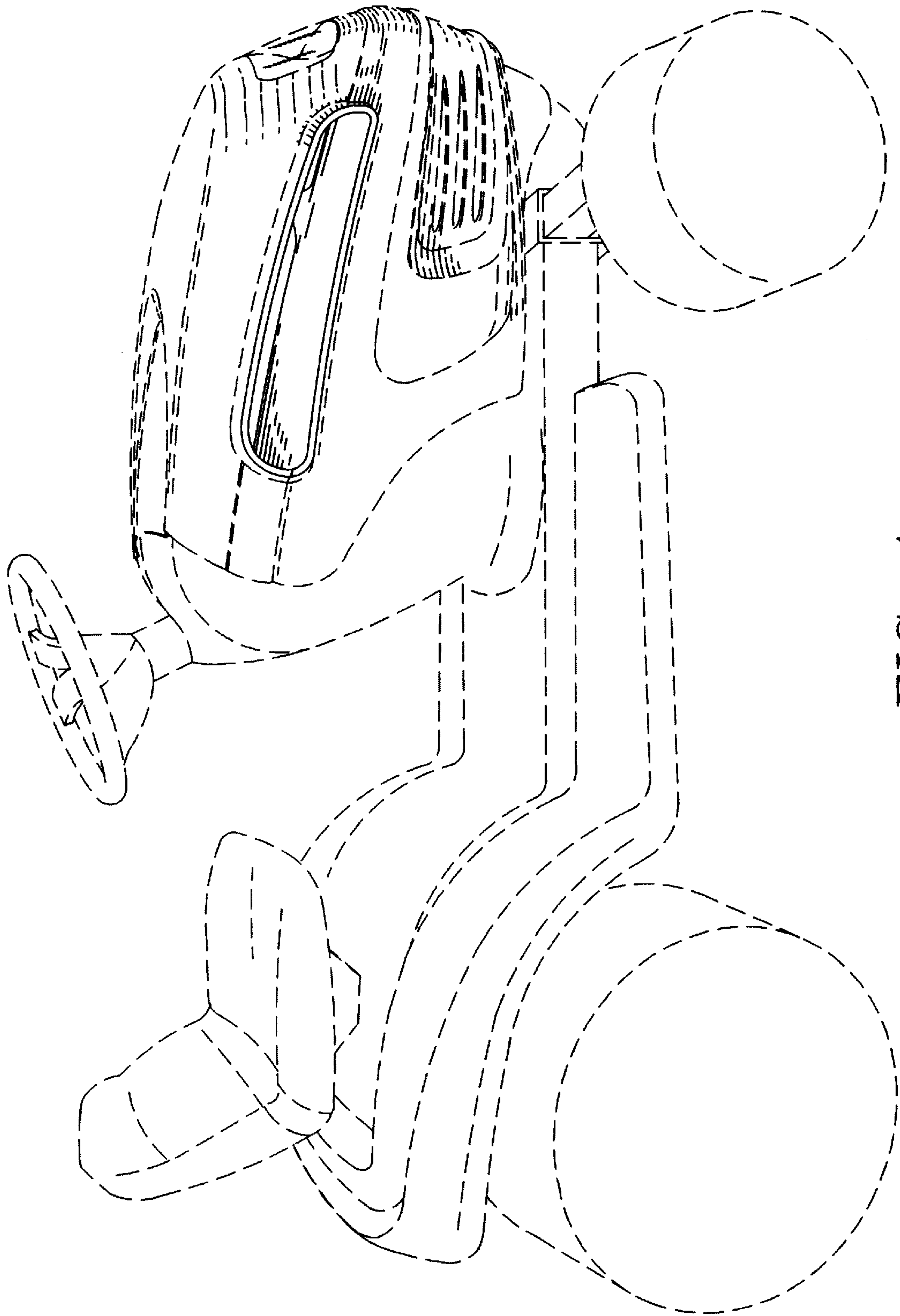


FIG-4

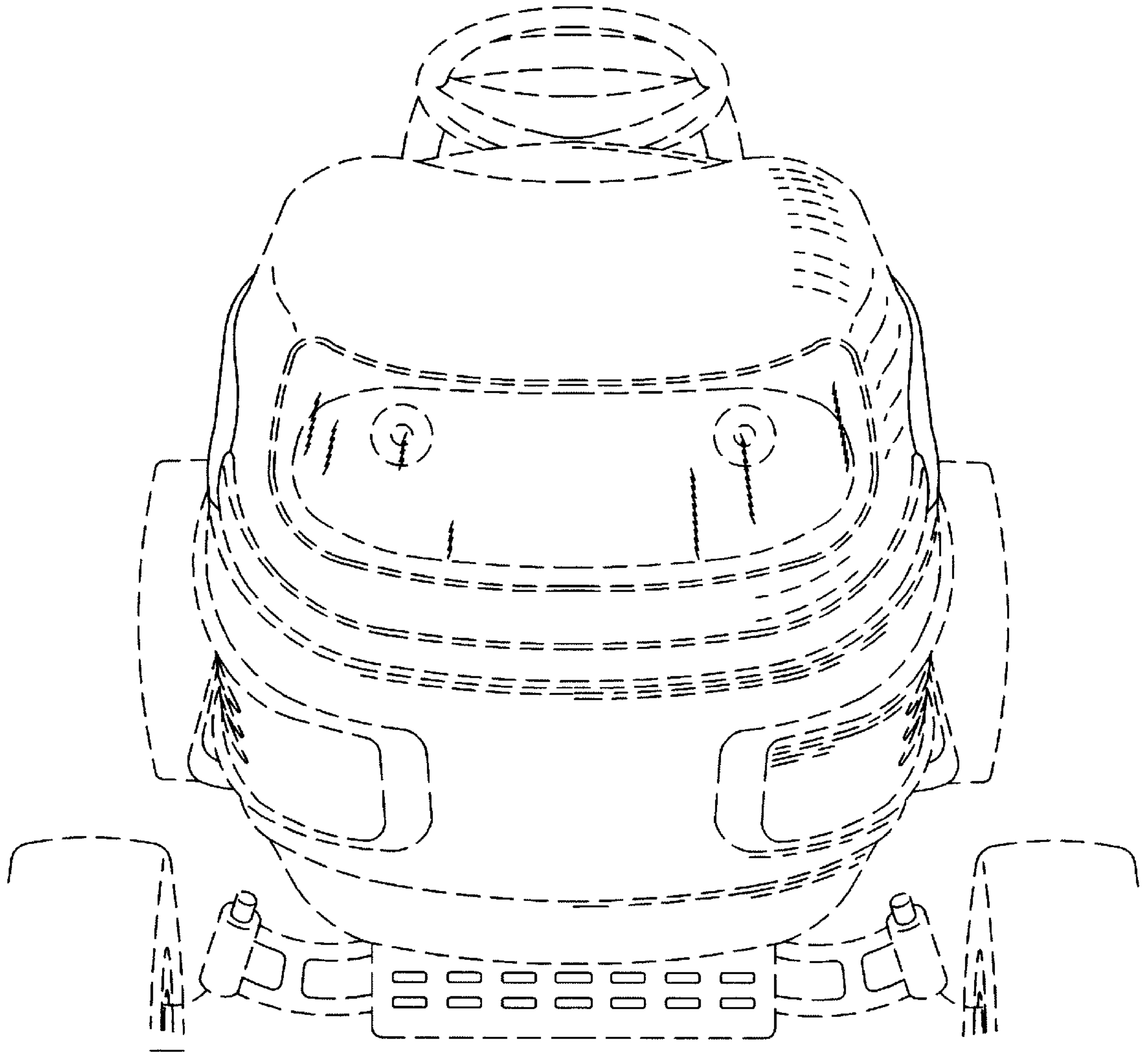


FIG-5

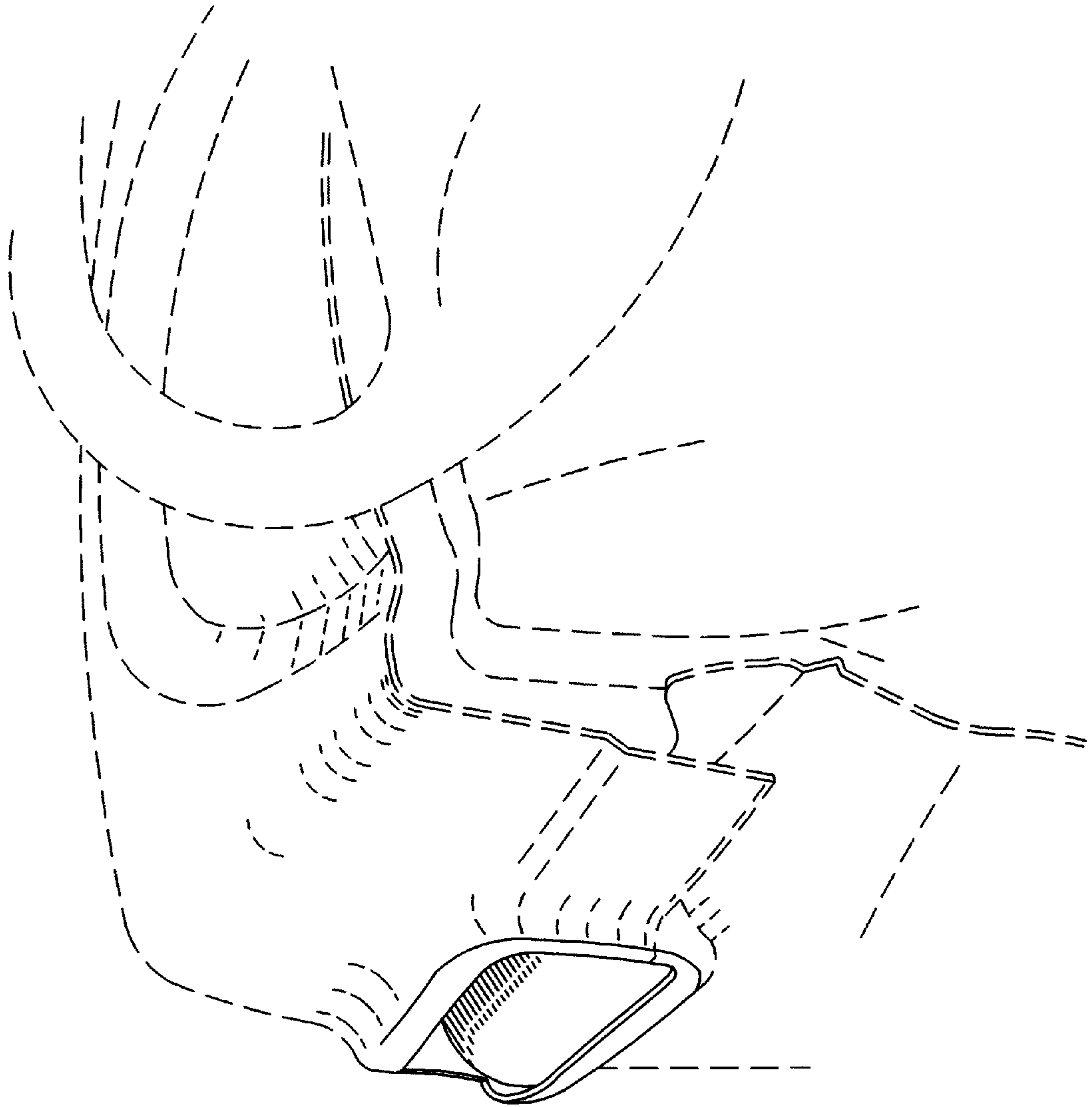


FIG-6

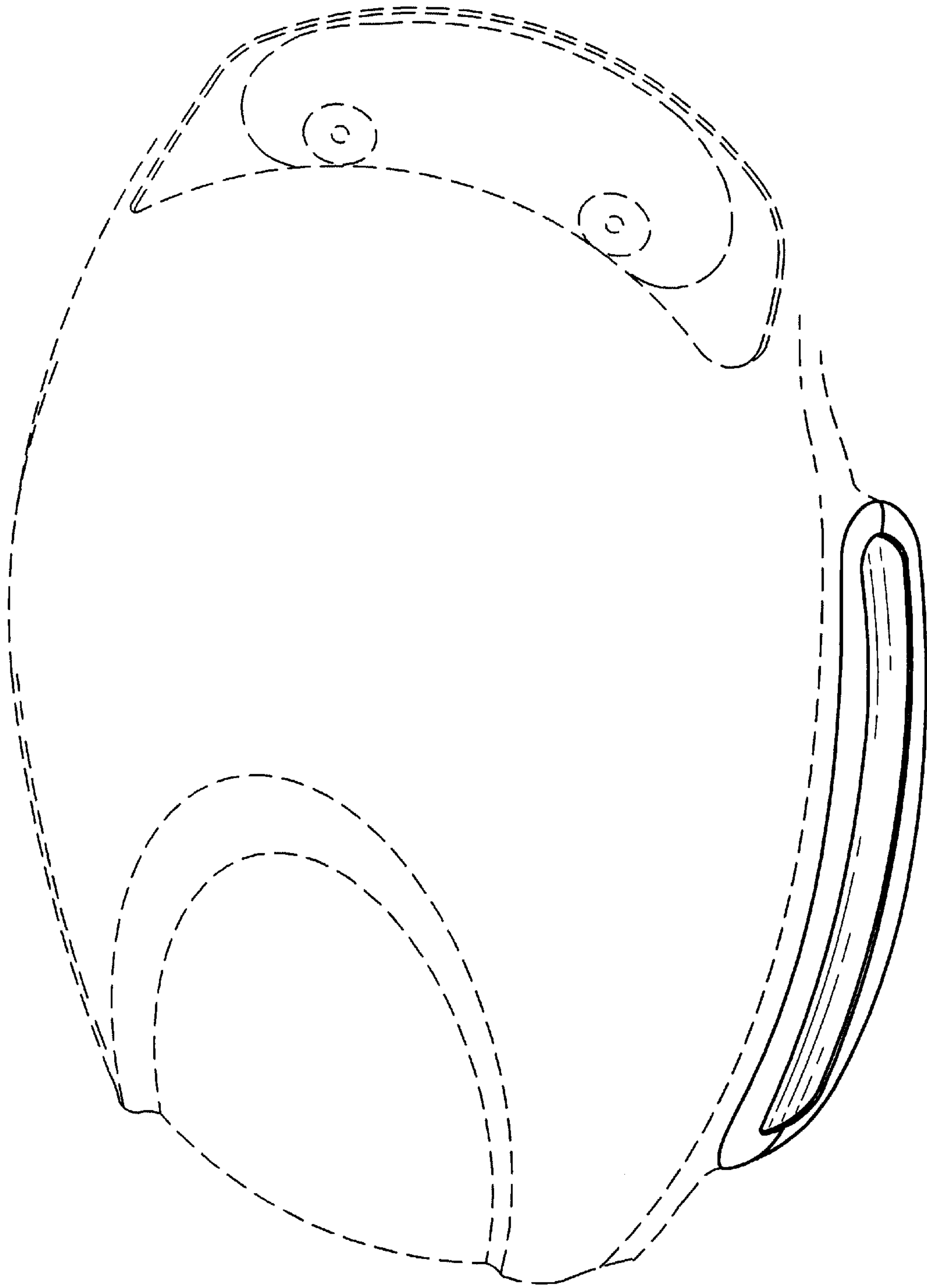


FIG-7