



US00D447152B1

(12) **United States Design Patent**
Cunningham et al.

(10) **Patent No.:** **US D447,152 S**

(45) **Date of Patent:** **** Aug. 28, 2001**

(54) **SINGLE ROLLER CONCRETE FINISHING MACHINE**

(75) Inventors: **John Cunningham**, Hurricane; **Jay Phillips**, Scott Depot; **Larry Redman**, Cross Lanes; **Virgil Sargent**, Windfield; **Carl McCormick**, Charleston, all of WV (US)

(73) Assignee: **Terramite Corporation**, Charleston, WV (US)

(**) Term: **14 Years**

(21) Appl. No.: **29/115,191**

(22) Filed: **Dec. 10, 1999**

(51) **LOC (7) Cl.** **15-03**

(52) **U.S. Cl.** **D15/10**

(58) **Field of Search** D15/122, 10; 404/75, 404/114, 118, 103, 122, 131

(56) **References Cited**

U.S. PATENT DOCUMENTS

976,293	11/1910	Reiff .
2,134,884	11/1938	Moore, Jr. .
2,633,782	* 4/1953	Clement .
3,052,167	9/1962	Beale .
3,605,577	9/1971	Bik .
4,142,815	3/1979	Mitchell .

4,367,880	1/1983	Harding .	
4,449,845	* 5/1984	Carillo	404/118
4,614,486	9/1986	Bragagnini .	
4,702,640	10/1987	Allen .	
4,752,156	6/1988	Owens .	
4,838,730	* 6/1989	Owens	404/114
5,016,319	5/1991	Stigen .	
5,062,738	11/1991	Owens .	
5,190,401	3/1993	Wilson .	
5,803,656	9/1998	Turck .	
6,089,787	* 7/2000	Allen et al.	404/118

* cited by examiner

Primary Examiner—B. J. Bullock

(74) *Attorney, Agent, or Firm*—Sughrue, Mion, Zinn, Macpeak & Seas, PLLC

(57) **CLAIM**

The ornamental design for a single roller concrete finishing machine, as shown and described.

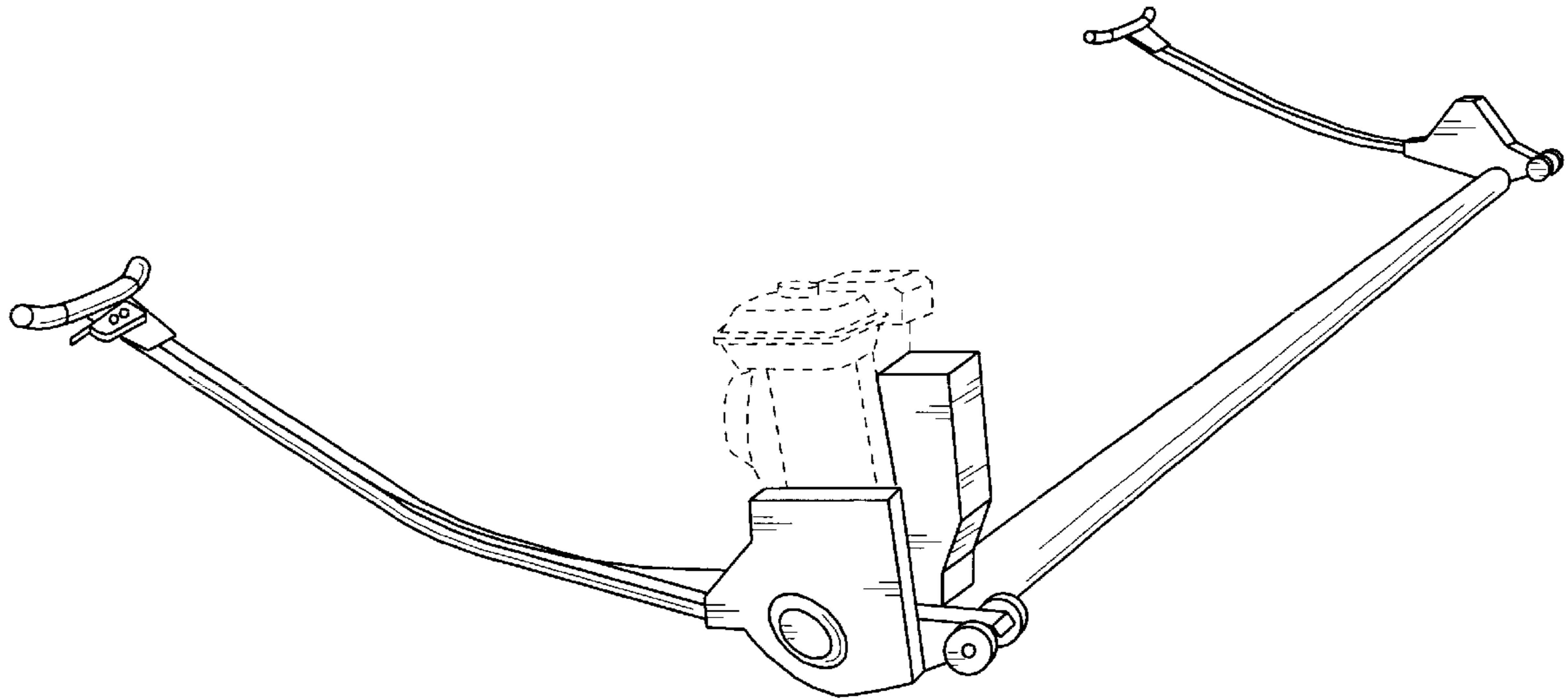
DESCRIPTION

FIG. 1 is a side perspective view showing the structure of a single roller concrete finishing machine, according to our new design; and,

FIG. 2 is a perspective view from the front thereof.

The elements shown in phantom lines relate to environmental structure and thus do not form any part of the design of the present invention.

1 Claim, 2 Drawing Sheets



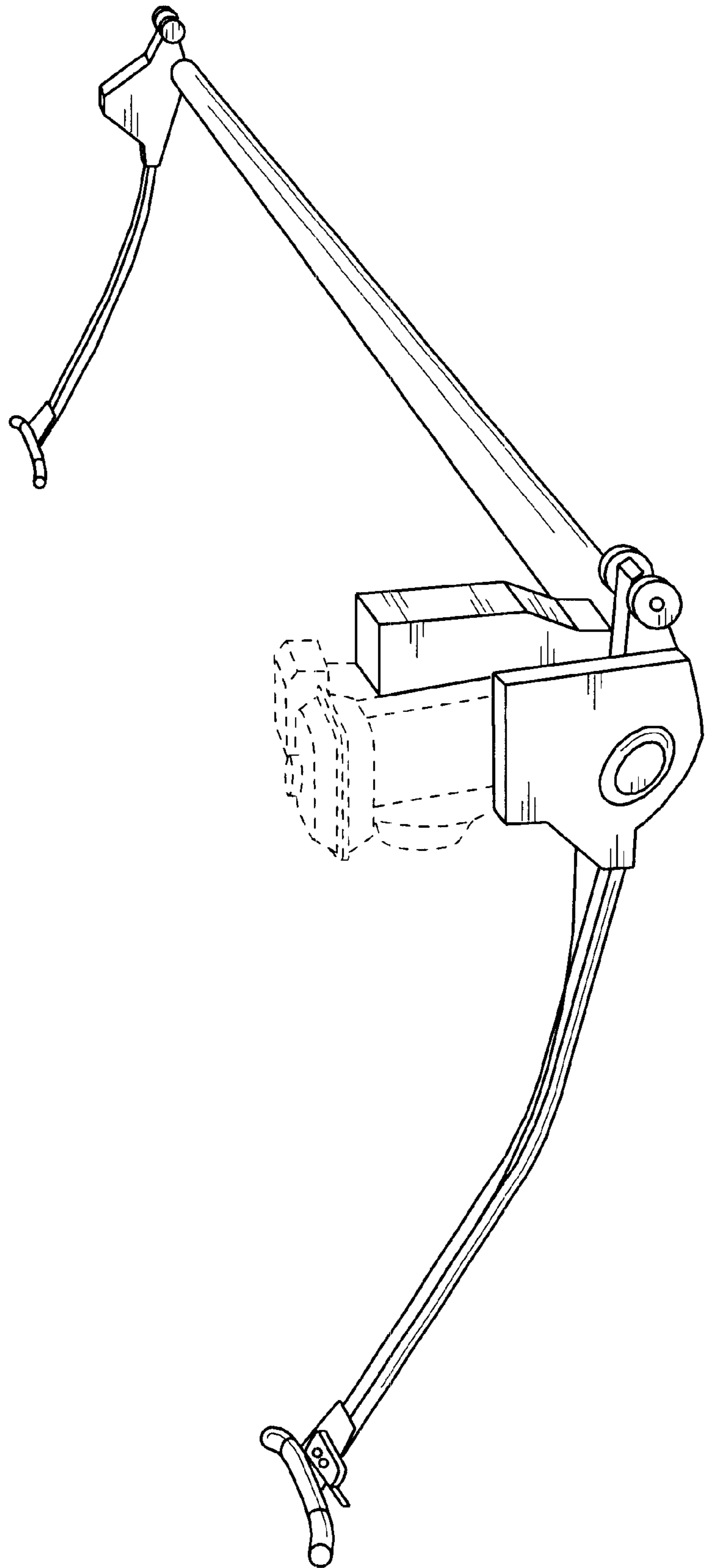


FIG. 1

FIG. 2

