



US00D447149B1

(12) **United States Design Patent**  
**Davis et al.**

(10) **Patent No.:** **US D447,149 S**

(45) **Date of Patent:** **\*\* Aug. 28, 2001**

(54) **SITE BOSS**

(75) **Inventors:** **Mike L. Davis; Dave C. Smith; David W. Robenalt; Robert F. Burkholder; Fred M. Morgan**, all of Jackson, TN (US)

(73) **Assignee:** **DeVilbiss Air Power Company**, Jackson, TN (US)

(\*\*) **Term:** **14 Years**

(21) **Appl. No.:** **29/119,779**

(22) **Filed:** **Mar. 8, 2000**

(51) **LOC (7) Cl.** ..... **15-02**

(52) **U.S. Cl.** ..... **D15/9**

(58) **Field of Search** ..... D15/7-9; 417/234, 417/360, 44.9, 362; 248/675; 92/58.1; 222/3; 137/899.4

(56) **References Cited**

**U.S. PATENT DOCUMENTS**

- D. 223,039 \* 2/1972 Widmer ..... D15/7
- D. 243,282 \* 2/1977 Burenga ..... D15/9
- D. 273,011 \* 3/1984 Dudley ..... D15/9

- D. 293,446 \* 12/1987 Morgan ..... D15/9
- D. 293,584 \* 1/1988 Morgan ..... D15/9
- D. 293,585 \* 1/1988 Morgan ..... D15/9
- D. 352,292 \* 11/1994 Morgan ..... D15/9
- D. 352,293 \* 11/1994 Morgan ..... D15/9
- D. 352,294 \* 11/1994 Morgan ..... D15/9
- 2,384,174 \* 9/1945 Jones ..... 222/3
- 2,804,259 \* 8/1957 Ralston ..... 137/899.4
- 4,722,673 \* 2/1988 Grime et al. .... 417/360

\* cited by examiner

*Primary Examiner*—Ralf Seifert

(74) *Attorney, Agent, or Firm*—Suiter & Associates PC

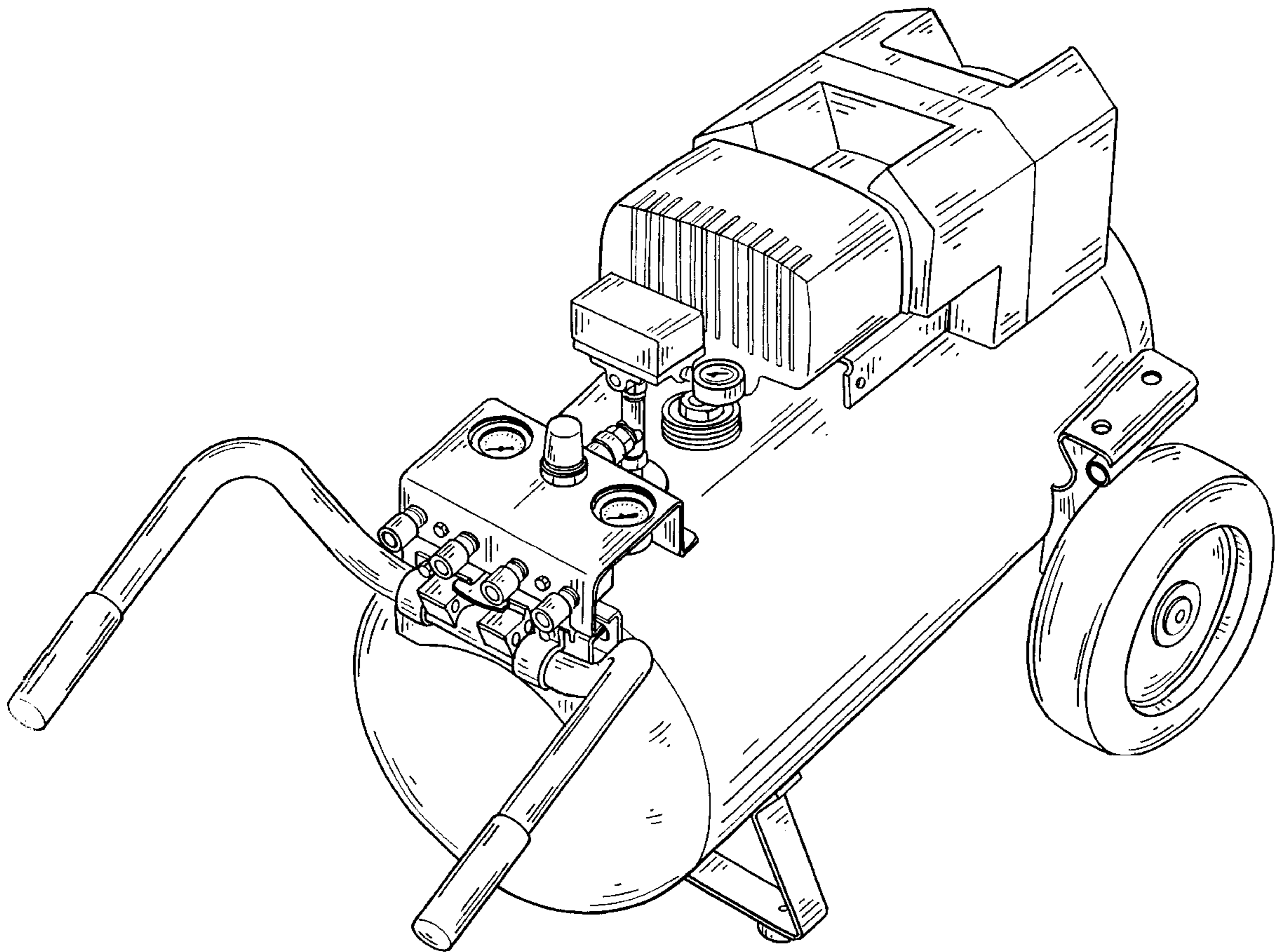
(57) **CLAIM**

We claim the ornamental design for a site boss, as shown.

**DESCRIPTION**

FIG. 1 is an isometric view of the site boss design;  
 FIG. 2 is a top plan view thereof;  
 FIG. 3 is a front elevation view thereof;  
 FIG. 4 is a left side elevation view thereof;  
 FIG. 5 is a right side elevation view thereof;  
 FIG. 6 is a rear elevation view thereof; and,  
 FIG. 7 is a bottom plan view thereof.

**1 Claim, 3 Drawing Sheets**



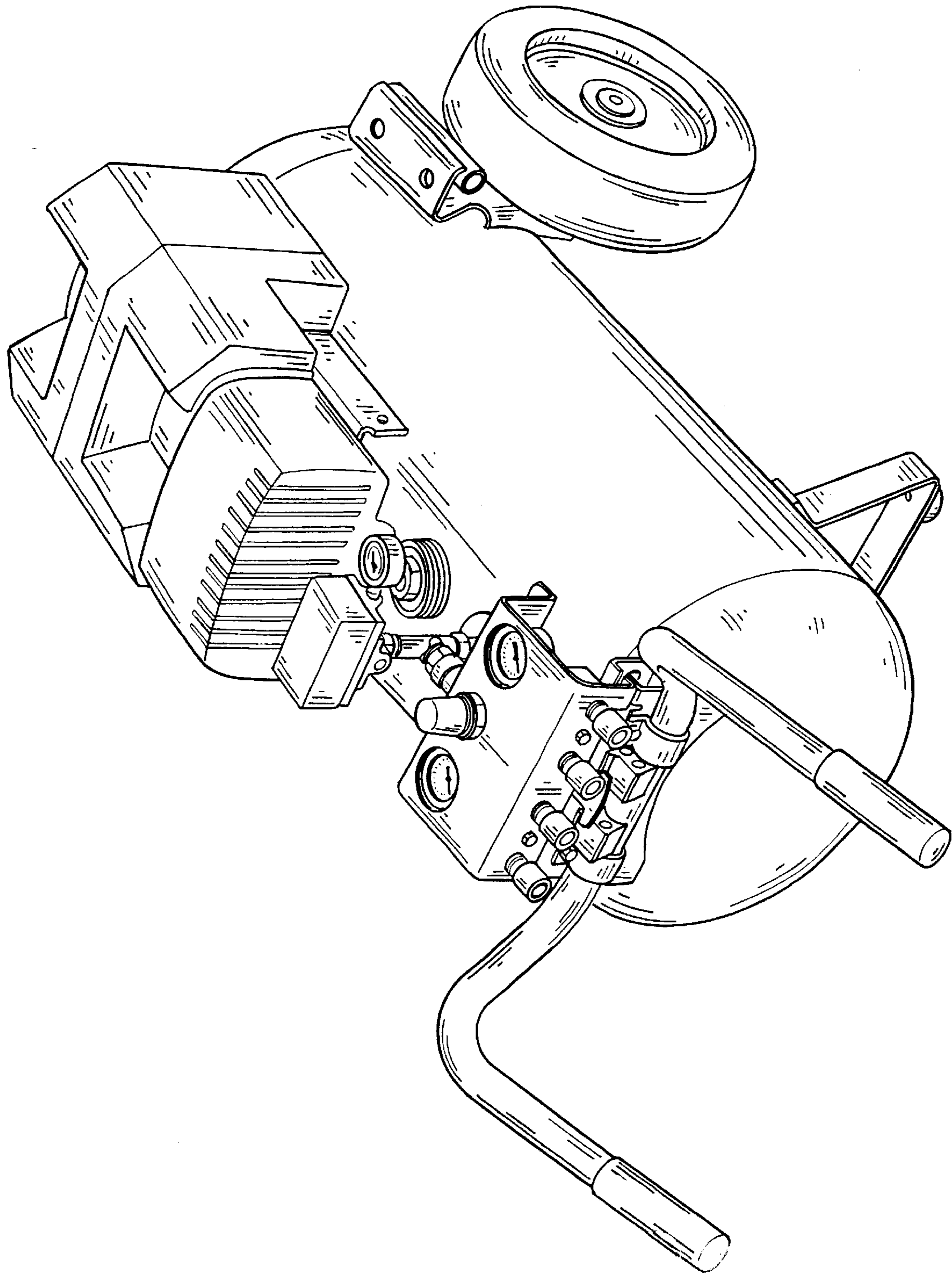


FIG. 1

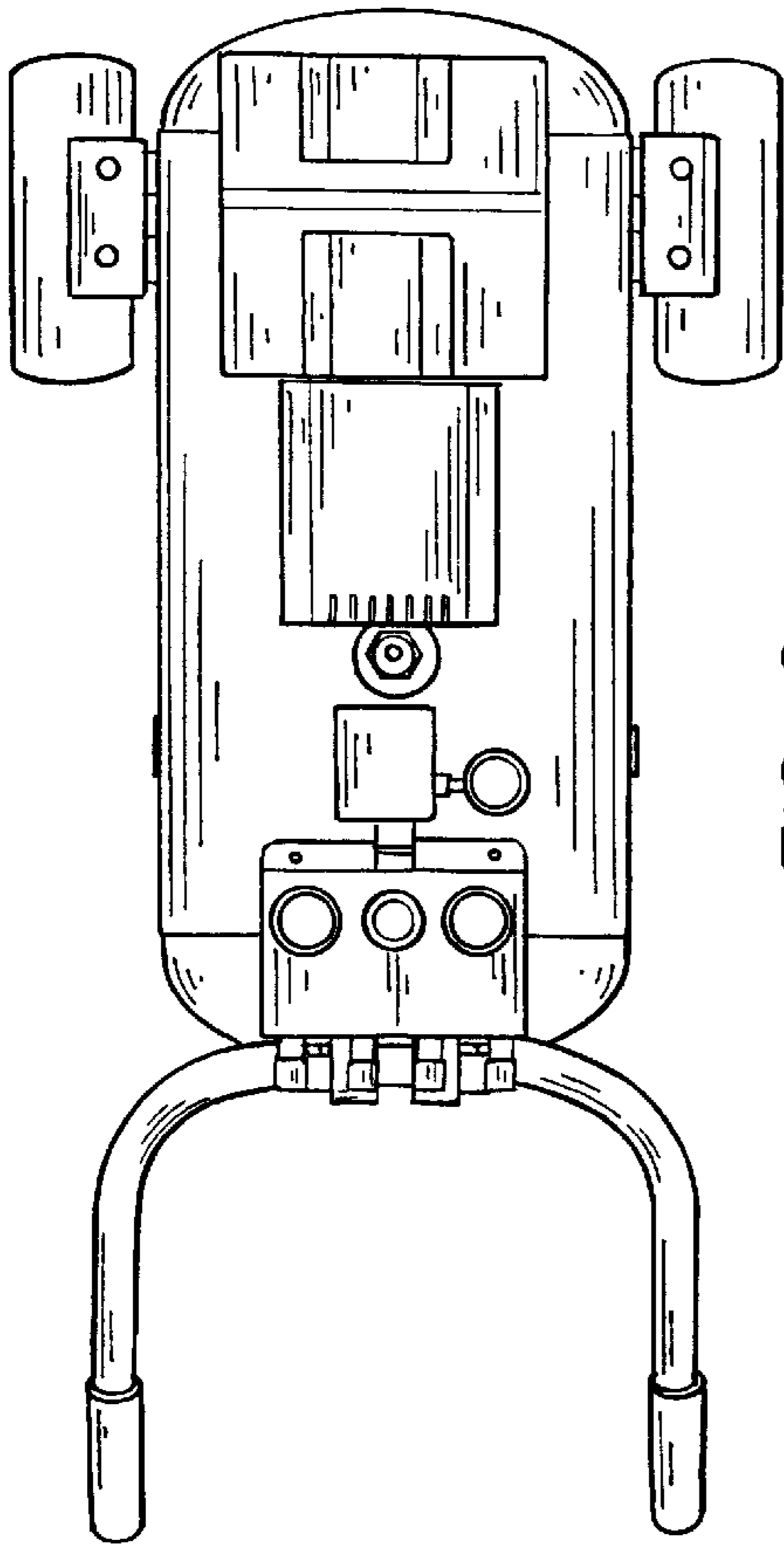


FIG. 2

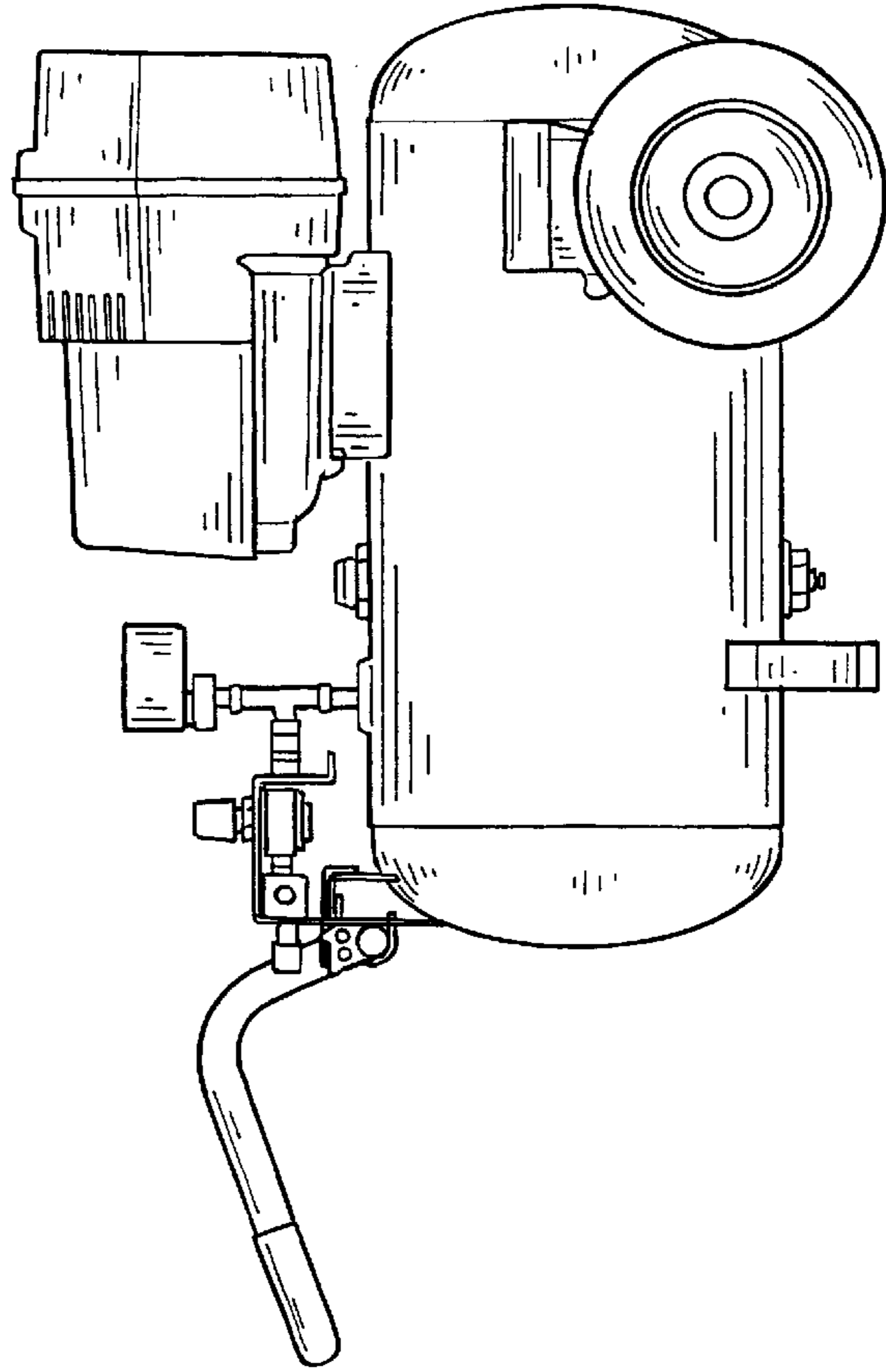


FIG. 4

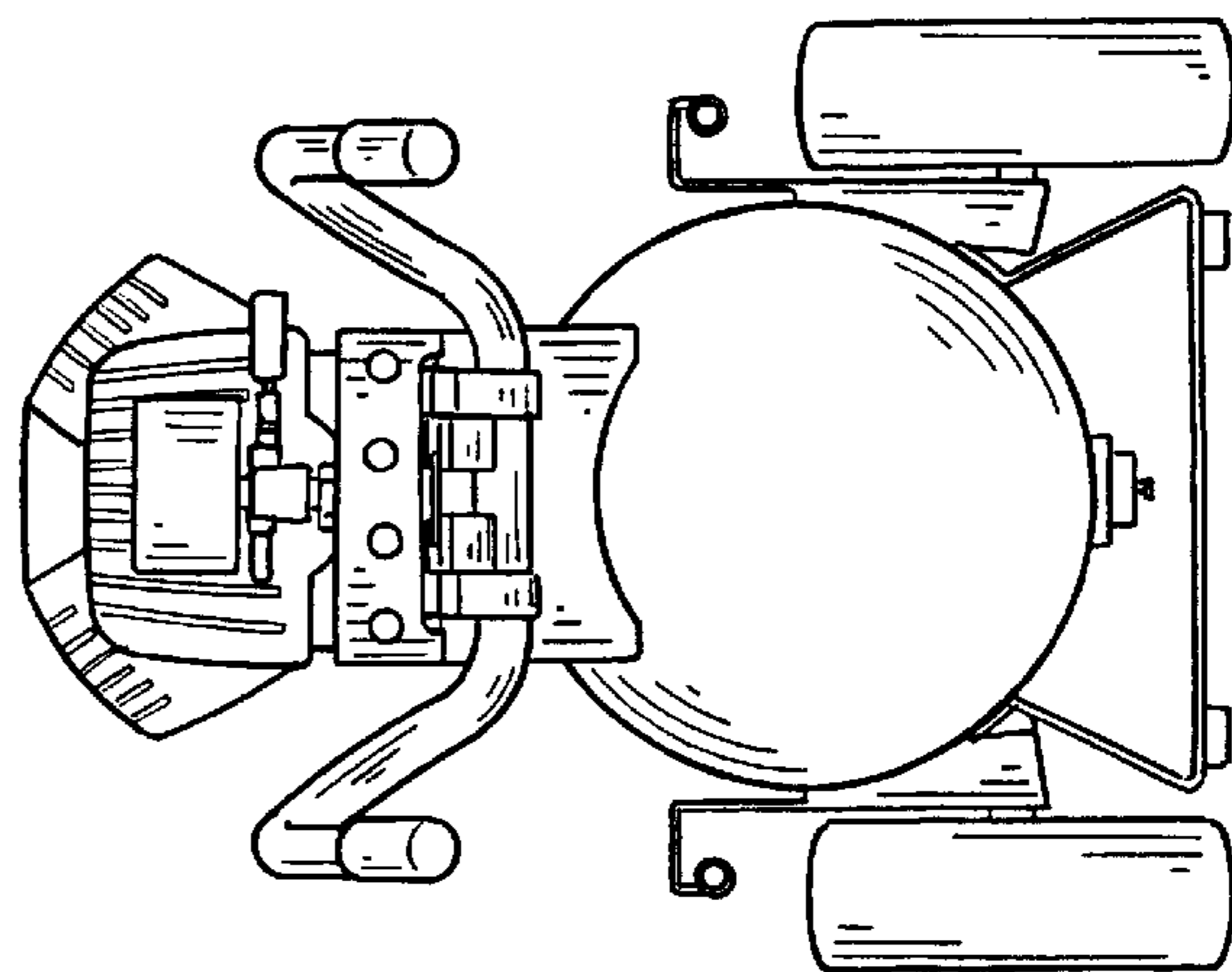


FIG. 3



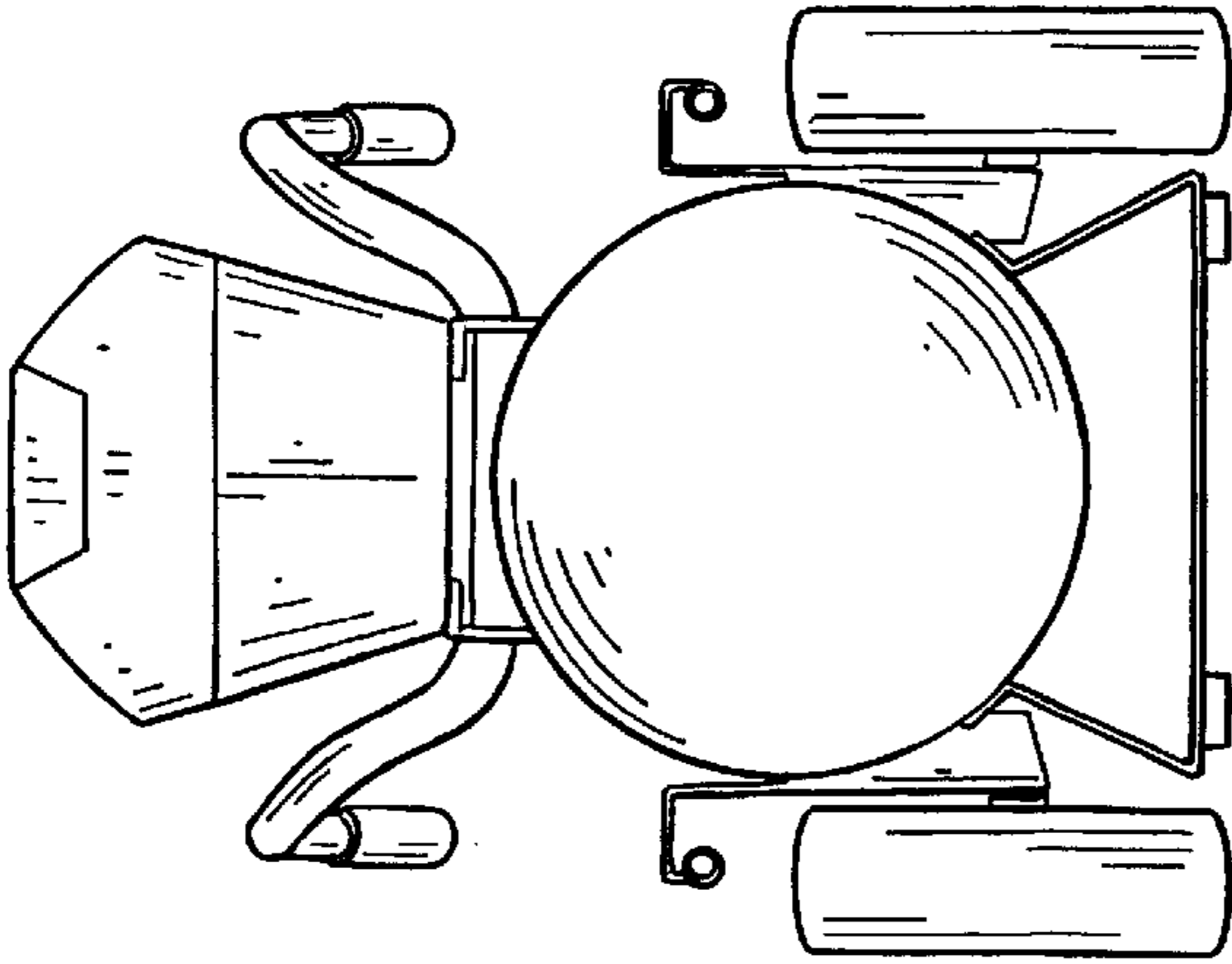


FIG. 6

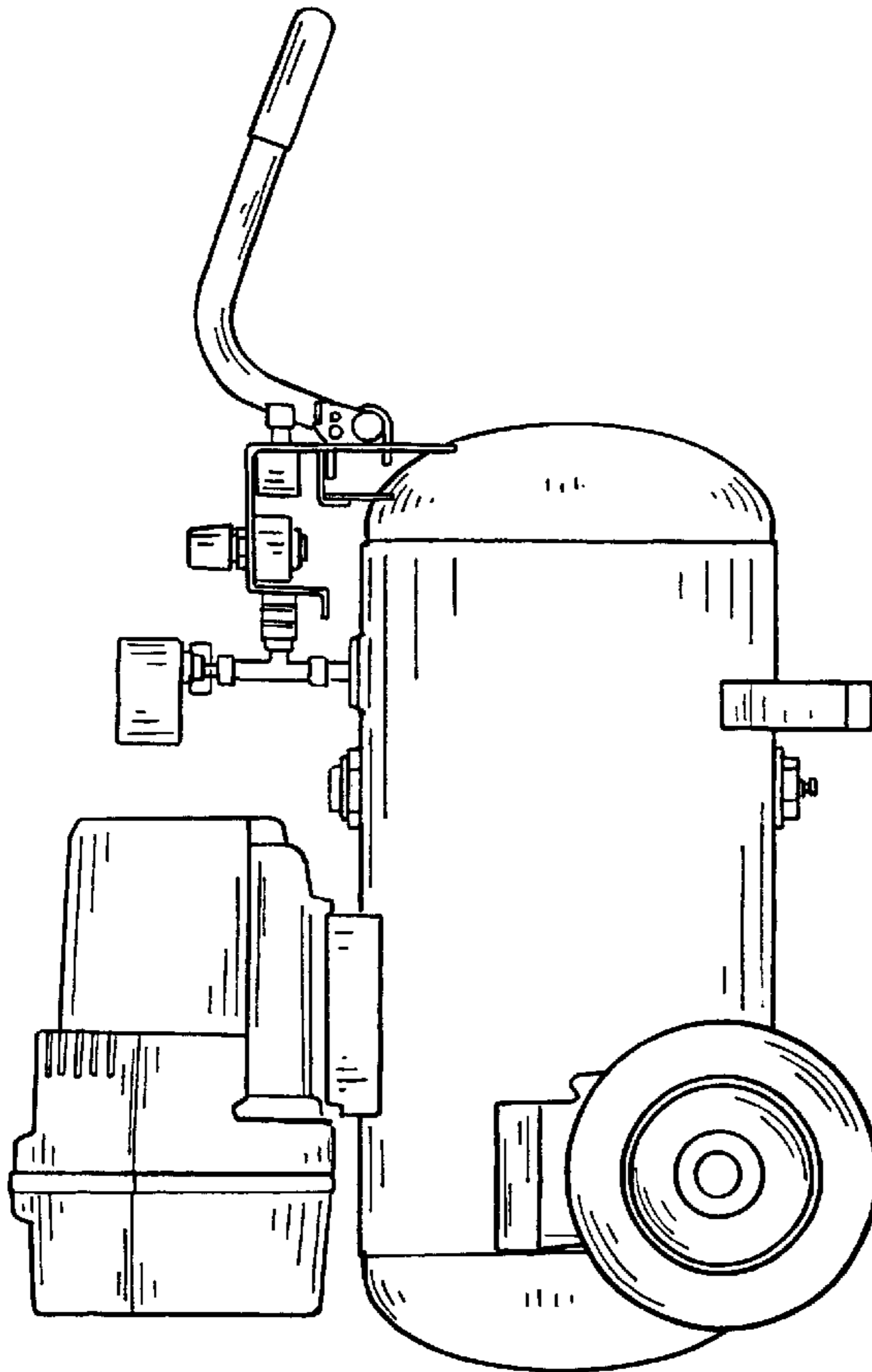


FIG. 5

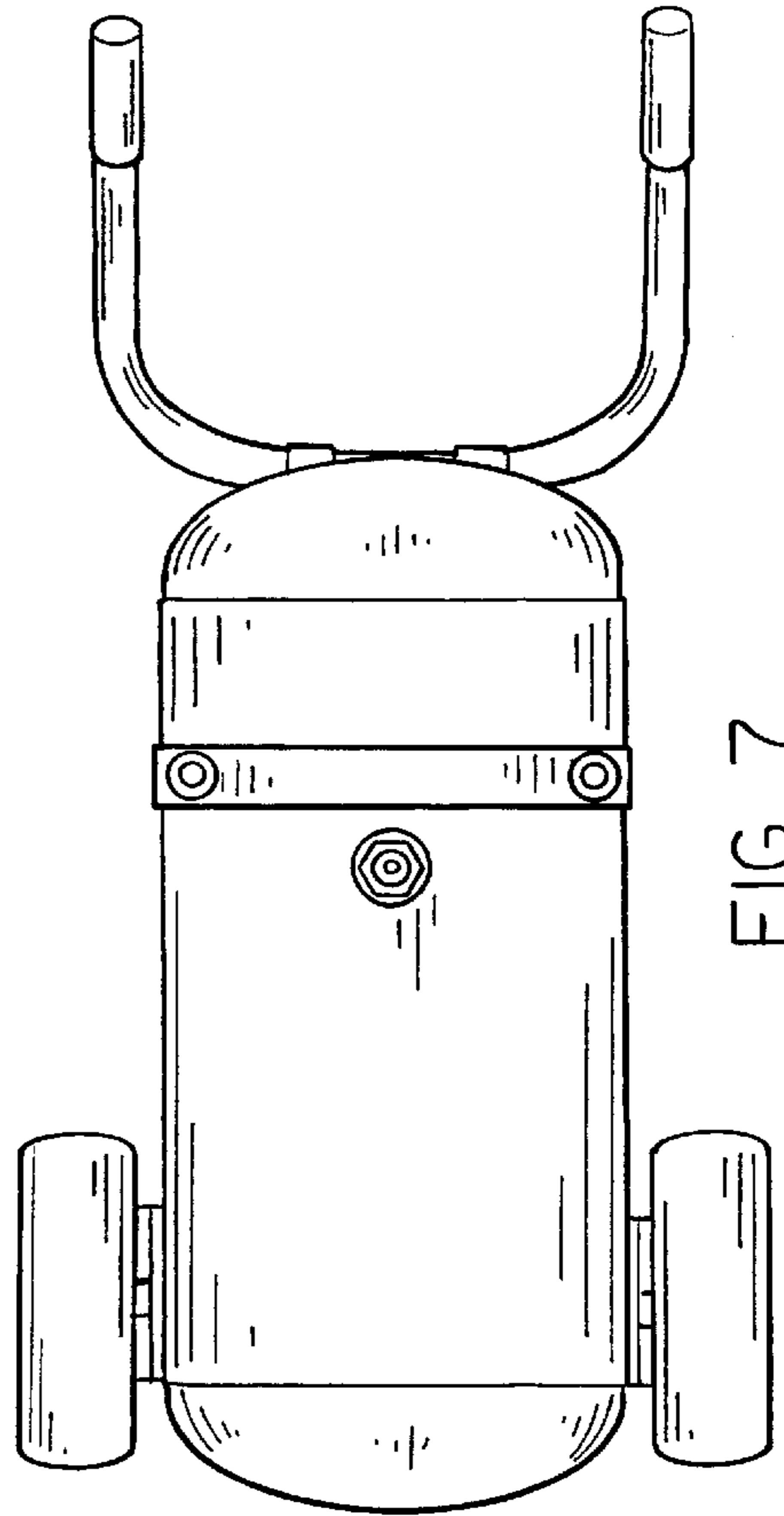


FIG. 7

UNITED STATES PATENT AND TRADEMARK OFFICE  
Certificate

Patent No. D. 447,149

Patented: August 28, 2001

On petition requesting issuance of a certificate for correction of inventorship pursuant to 35 U.S.C. 256, it has been found that the above identified patent, through error and without any deceptive intent, improperly sets forth the inventorship.

Accordingly, it is hereby certified that the correct inventorship of this patent is: Mike L. Davis, Jackson, TN; Dave C. Smith, Jackson, TN; David W. Robenalt, Jackson, TN; Robert F. Burkholder, Jackson, TN; Fred M. Morgan, Jackson, TN; and Crandall B. Barbour, Jackson, TN.

Signed and Sealed this Eighth Day of July 2003.

LOUIS ZARFUS  
*Supervisory Patent Examiner*  
Art Unit 2914