



US00D447148B1

(12) **United States Design Patent**
Antony et al.

(10) **Patent No.:** **US D447,148 S**

(45) **Date of Patent:** **** Aug. 28, 2001**

(54) **GEAR HOUSING ASSEMBLY**

(75) Inventors: **Gerhard Antony; Arthur Pantelides**, both of Virginia Beach; **William Long**, Chesapeake, all of VA (US); **Akira Yamamoto**, Obu (JP)

(73) Assignee: **Sumitomo Machinery Corp. of America**, Chesapeake, VA (US)

(**) Term: **14 Years**

(21) Appl. No.: **29/103,589**

(22) Filed: **Apr. 16, 1999**

Related U.S. Application Data

(63) Continuation-in-part of application No. 29/102,575, filed on Mar. 26, 1999.

(51) **LOC (7) Cl.** **15-02**

(52) **U.S. Cl.** **D15/7**

(58) **Field of Search** D15/5-7; 74/489, 74/606 R, 606 A, 607; 474/82, 144, 146; 476/42; 70/606 R; D12/124

(56) **References Cited**

U.S. PATENT DOCUMENTS

- D. 327,272 * 6/1992 Cadotte et al. D15/7
- D. 327,273 * 6/1992 Cadotte et al. D15/7
- D. 356,094 * 3/1995 Curtis D15/8
- D. 405,096 * 2/1999 Dudeuk D15/7
- D. 410,659 * 6/1999 Lannoch D15/8

* cited by examiner

Primary Examiner—Ralf Seifert

(74) *Attorney, Agent, or Firm*—Arent Fox Kintner Plotkin & Kahn

(57) **CLAIM**

The ornamental design for gear housing, as shown and described.

DESCRIPTION

FIG. 1 is a perspective view of a first embodiment showing our new design configured as a gear housing and motor assembly;

FIG. 2 is a top view thereof;

FIG. 3 is a front view thereof;

FIG. 4 is a back view thereof;

FIG. 5 is a left side view thereof;

FIG. 6 is a right side view thereof;

FIG. 7 is a bottom view thereof;

FIG. 8 is a perspective view of a second embodiment showing our new design configured as another gear housing and motor assembly;

FIG. 9 is a top view thereof;

FIG. 10 is a front view thereof;

FIG. 11 is a back view thereof;

FIG. 12 is a left side view thereof;

FIG. 13 is a right view thereof;

FIG. 14 is a bottom view thereof;

FIG. 15 is a perspective view of a third embodiment showing our new design configured solely as a gear housing assembly with the mounting structure, input shaft structure and output shaft shown in dotted line;

FIG. 16 is a top view thereof;

FIG. 17 is a front view thereof;

FIG. 18 is a back view thereof;

FIG. 19 is a left side view thereof;

FIG. 20 is a right side view thereof; and,

FIG. 21 is a bottom view thereof.

The items shown in dotted line in the various views of the figures do not form a part of our inventive design and are not claimed herein.

1 Claim, 18 Drawing Sheets

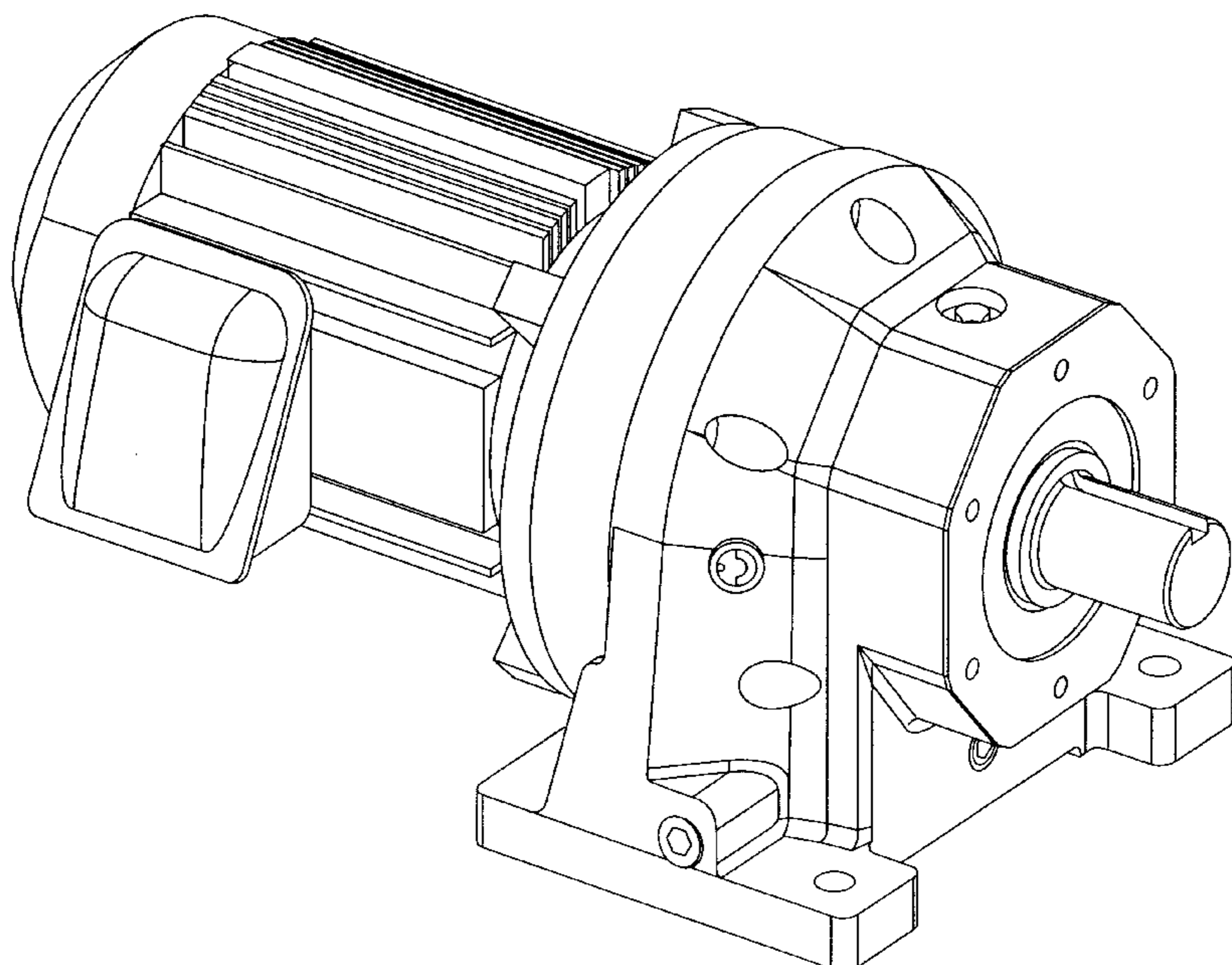


Fig. 1

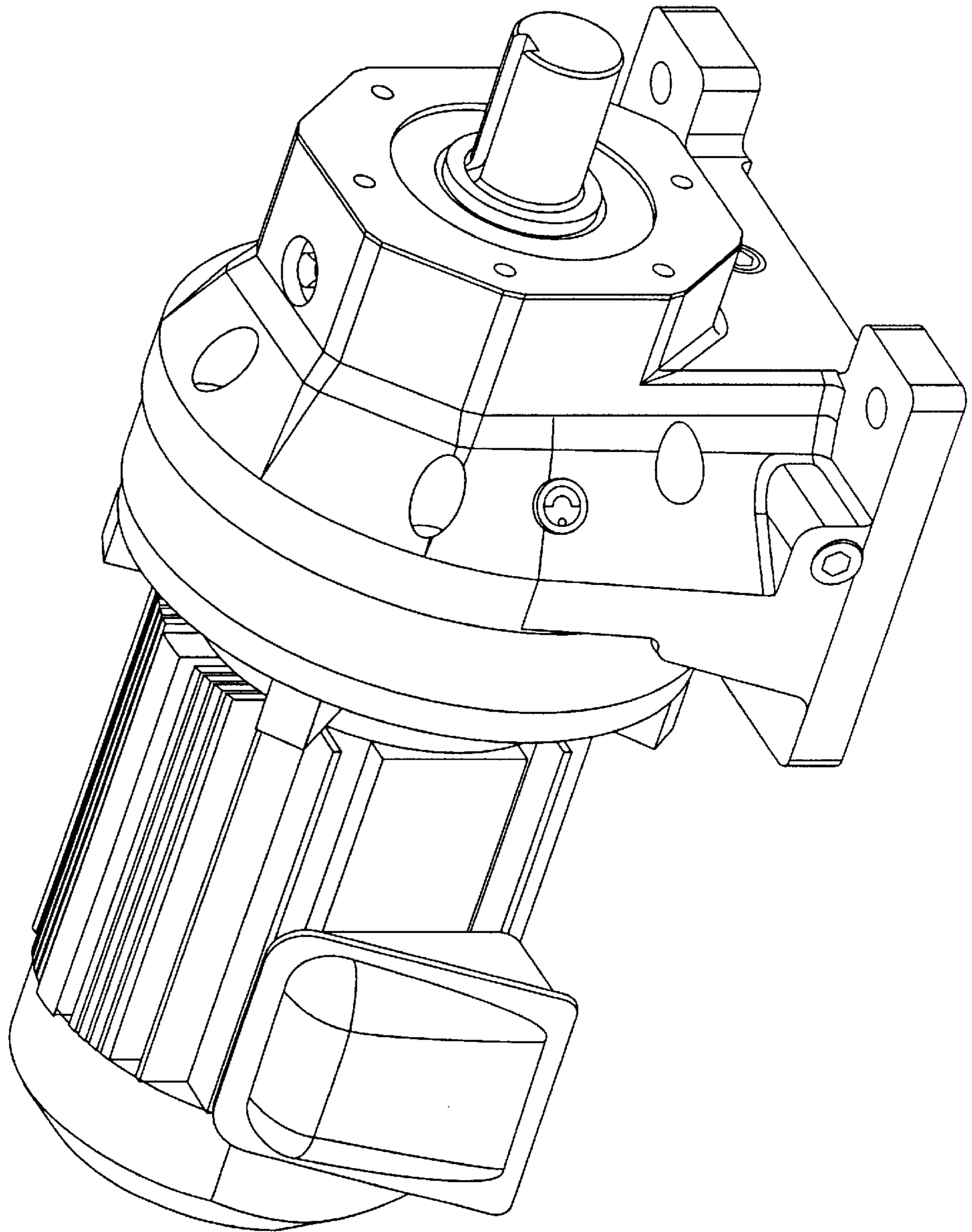


Fig. 2

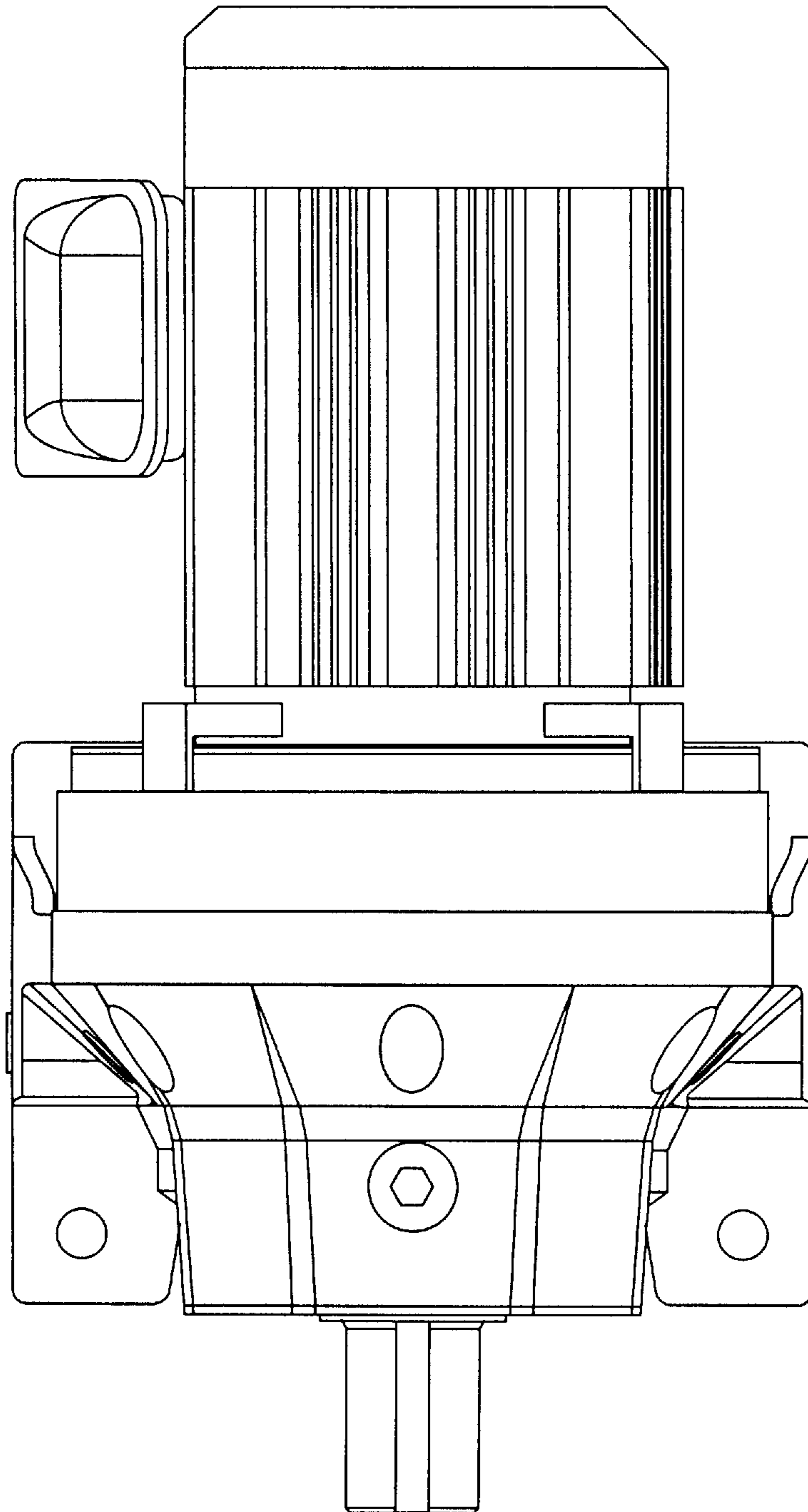


Fig.3

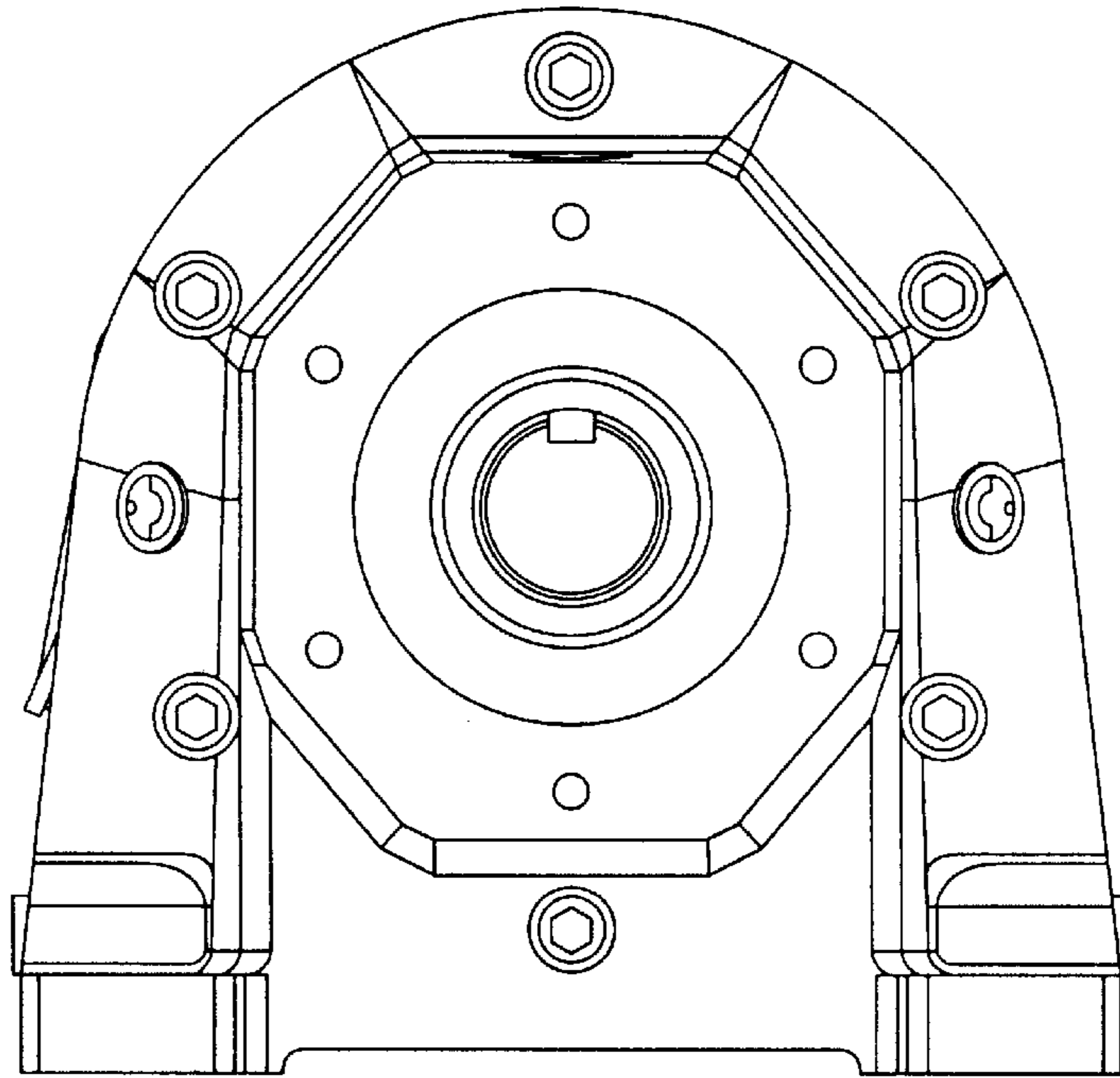


Fig.4

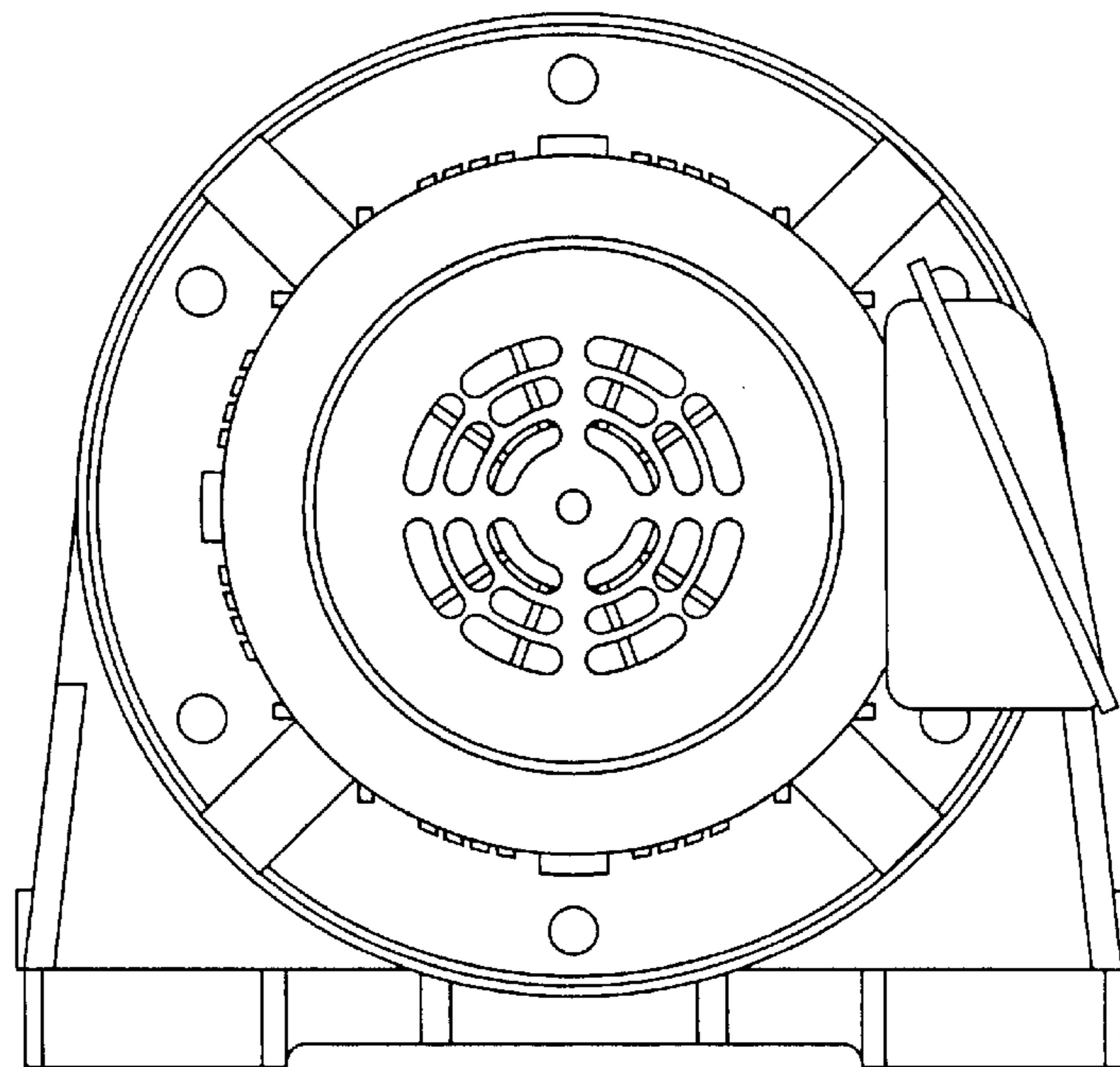


Fig. 5

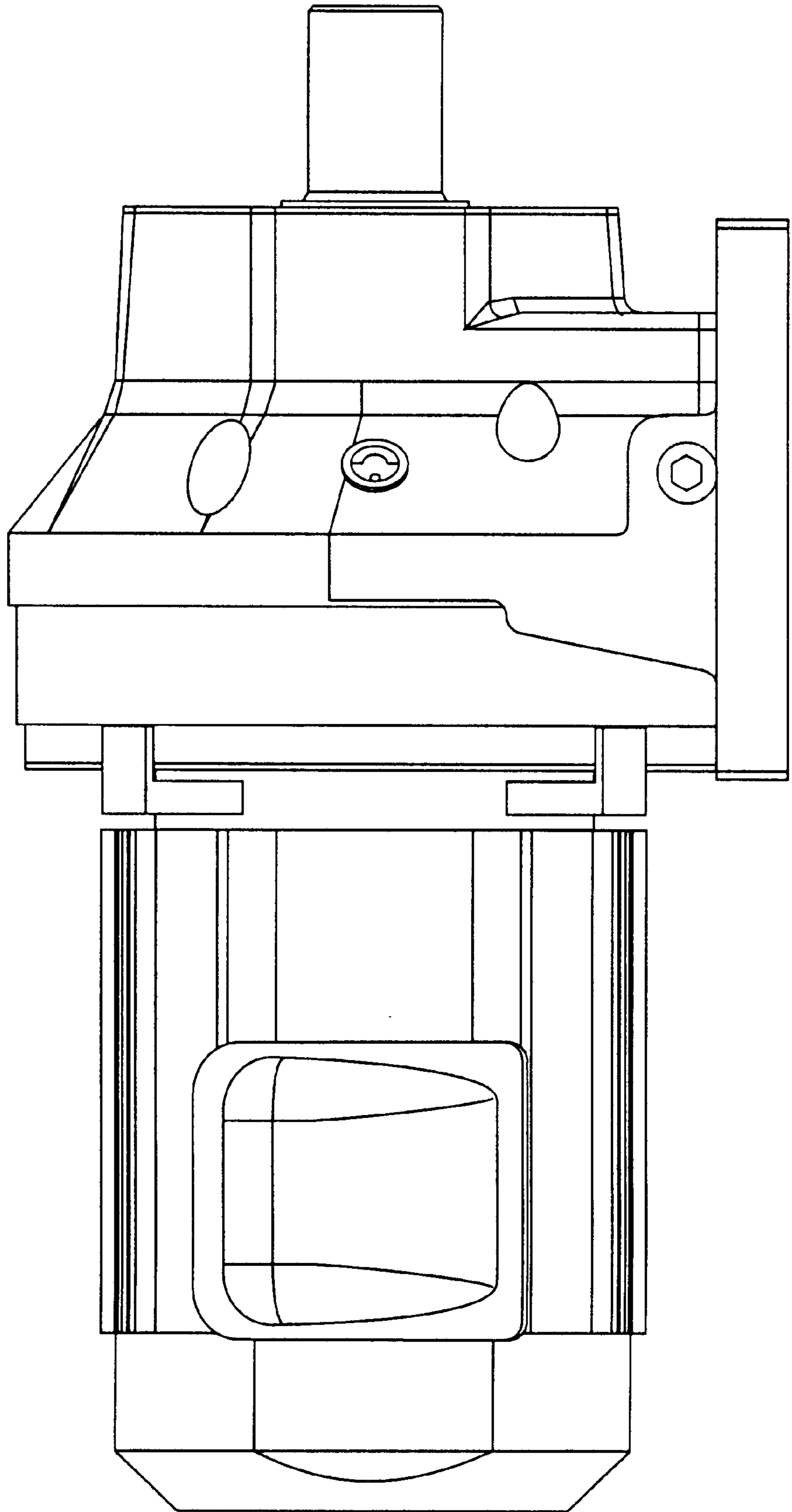


Fig. 6

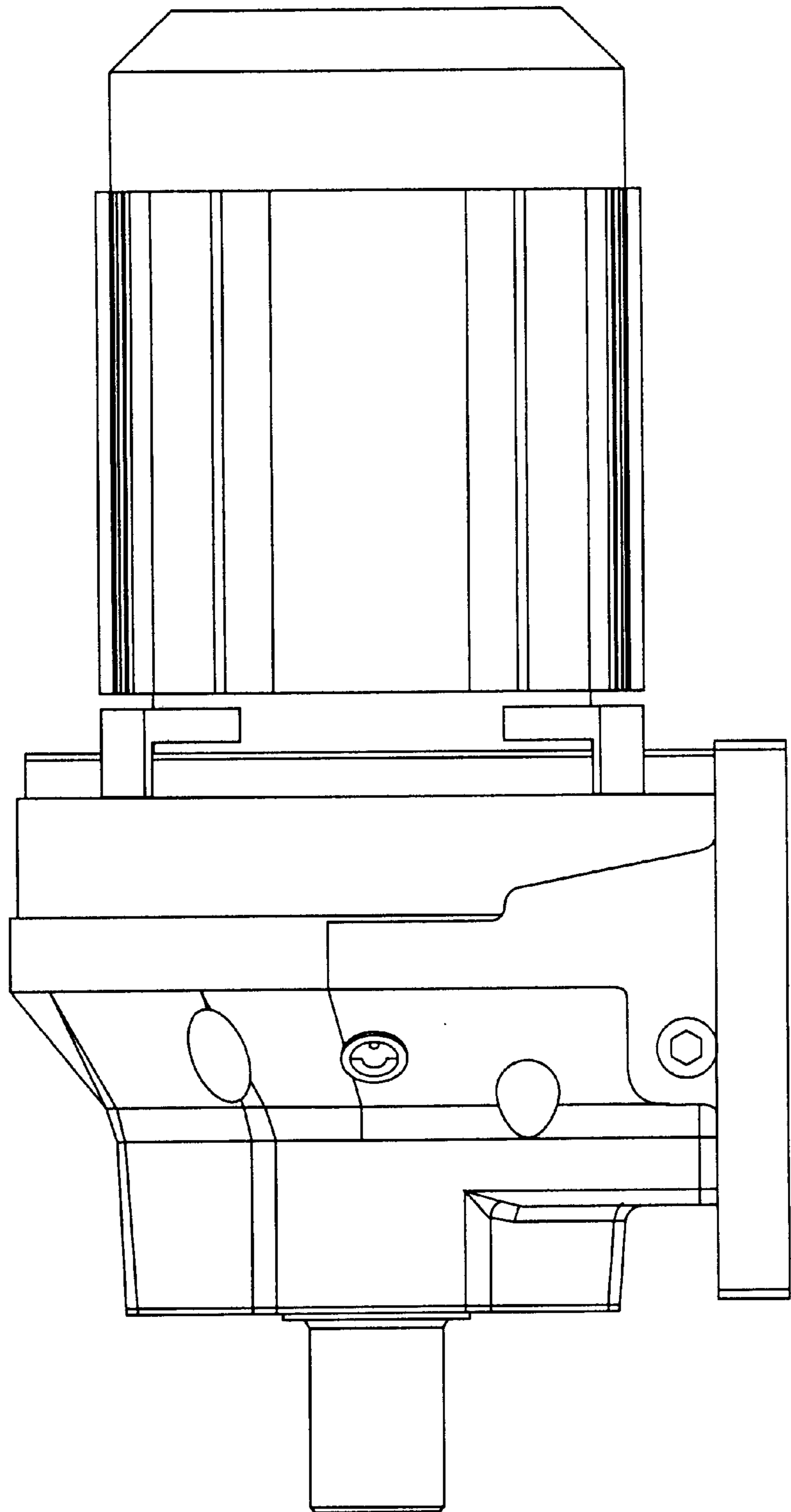


Fig. 7

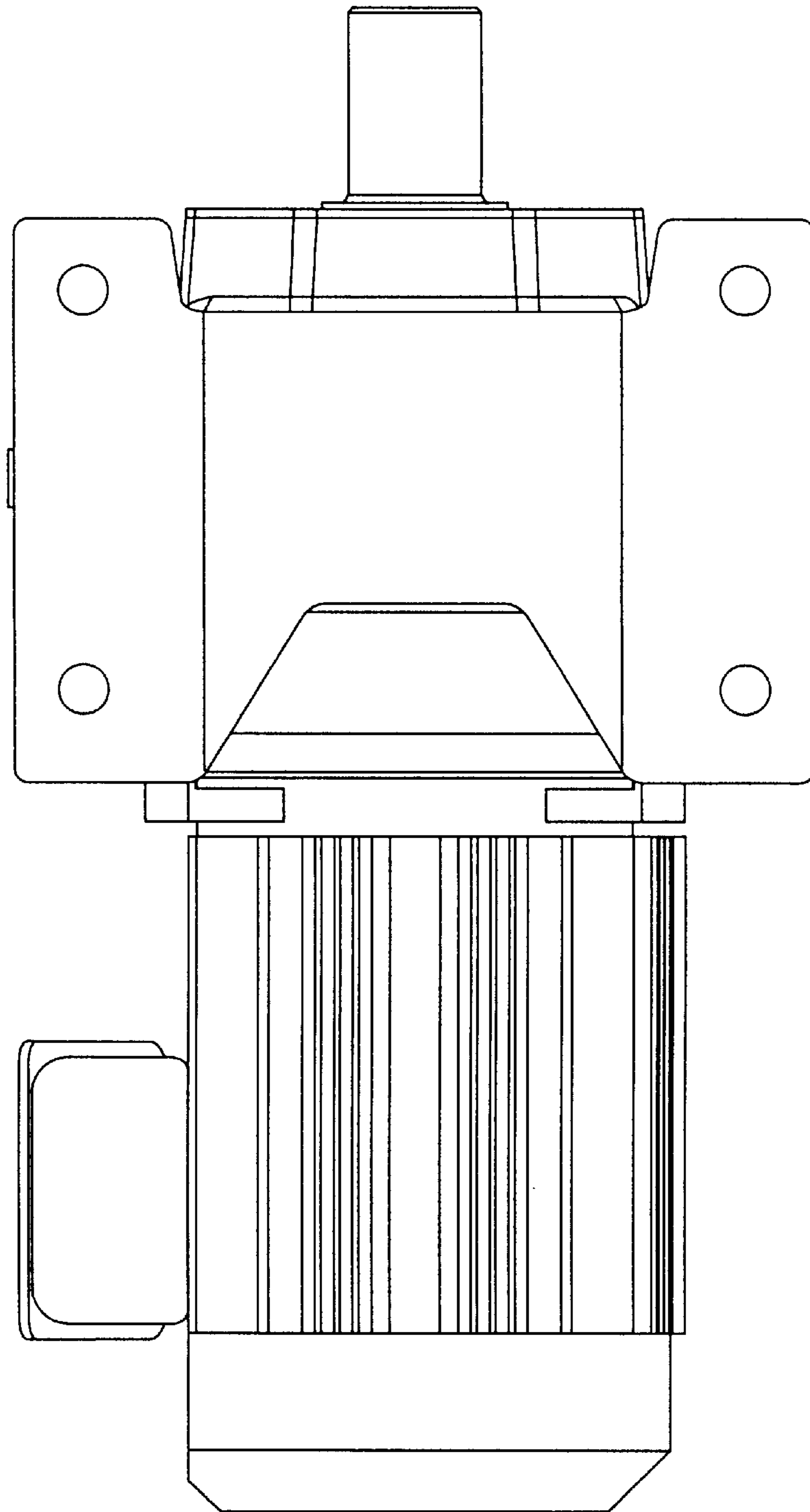


Fig. 8

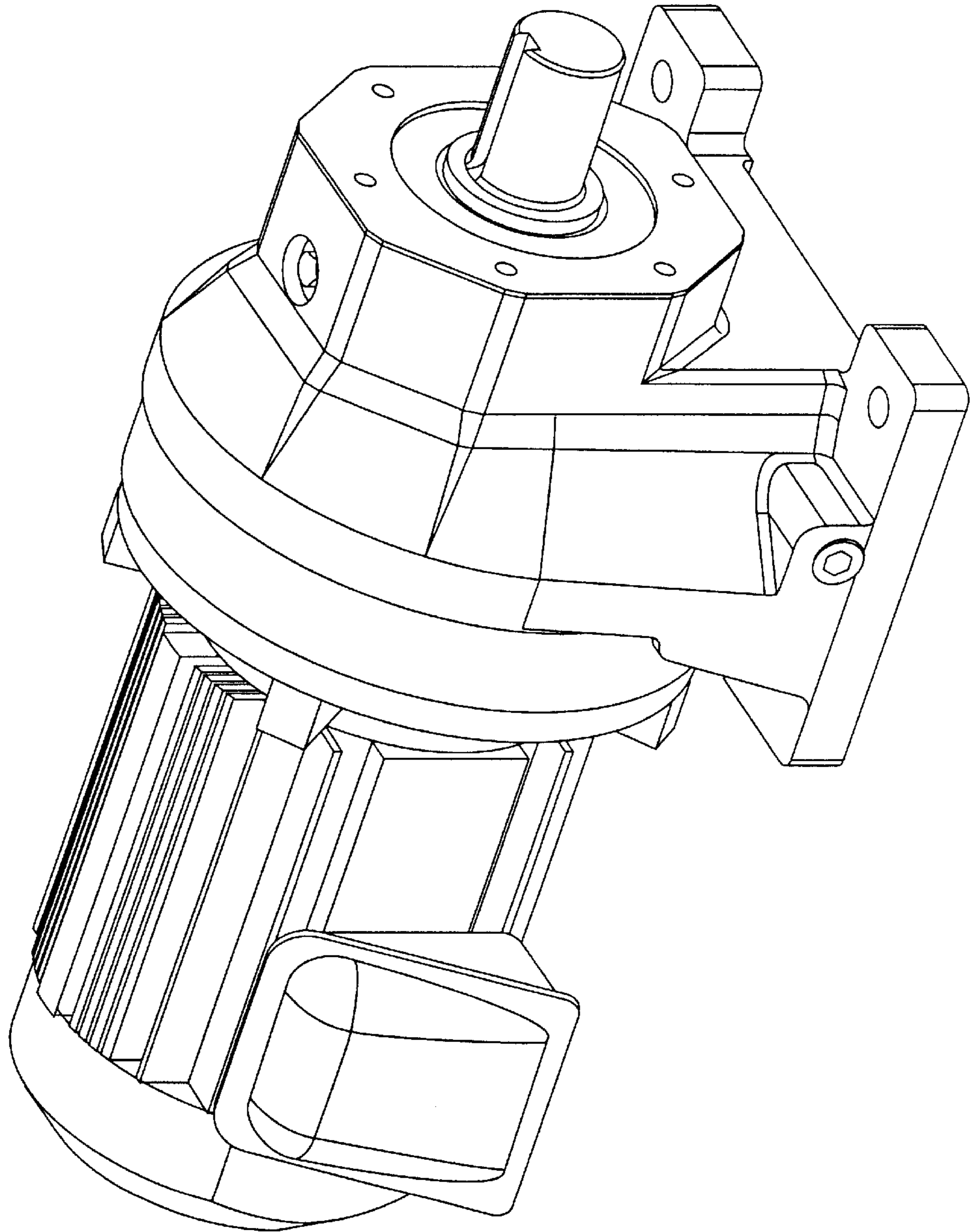
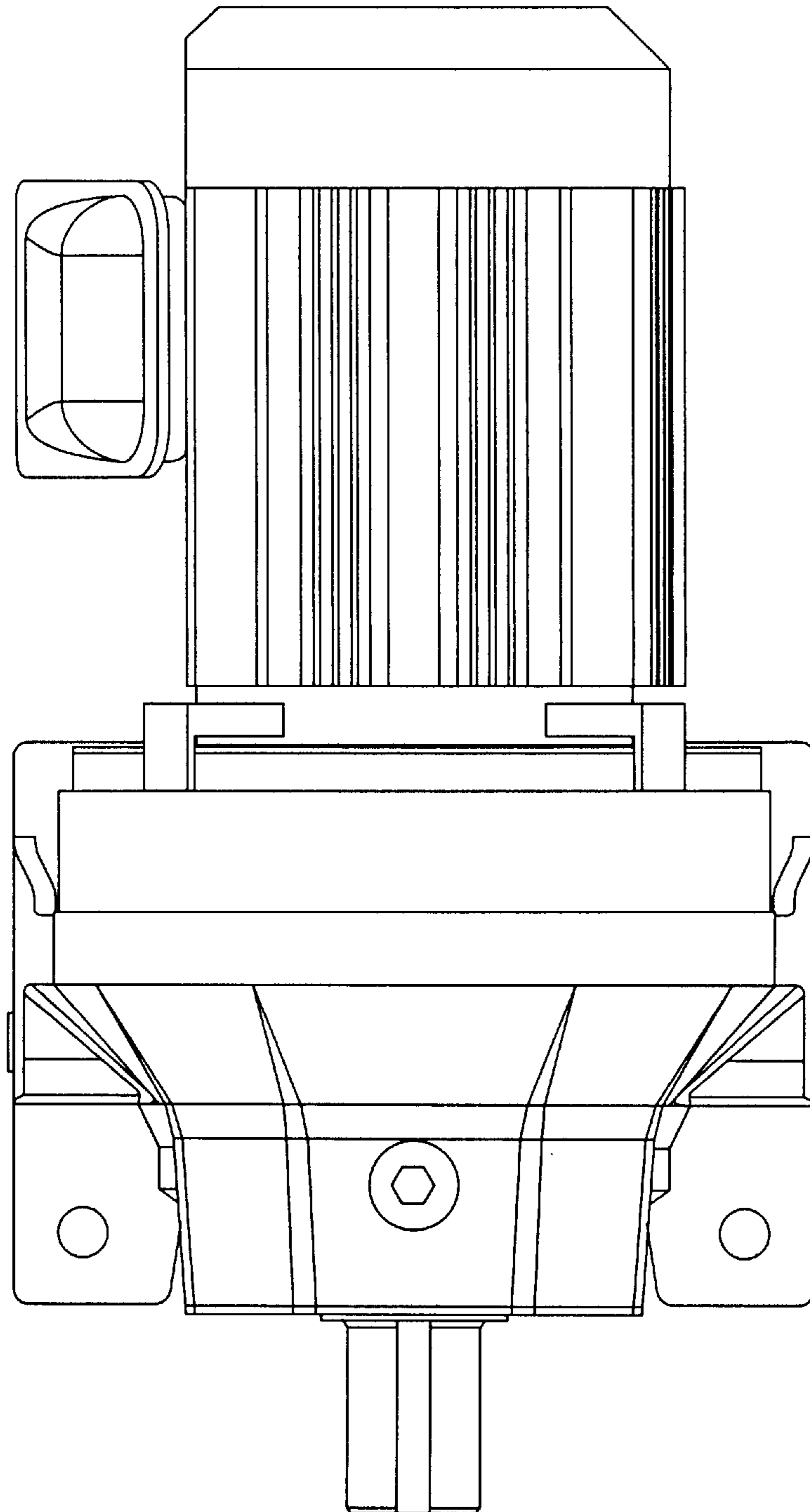


Fig. 9



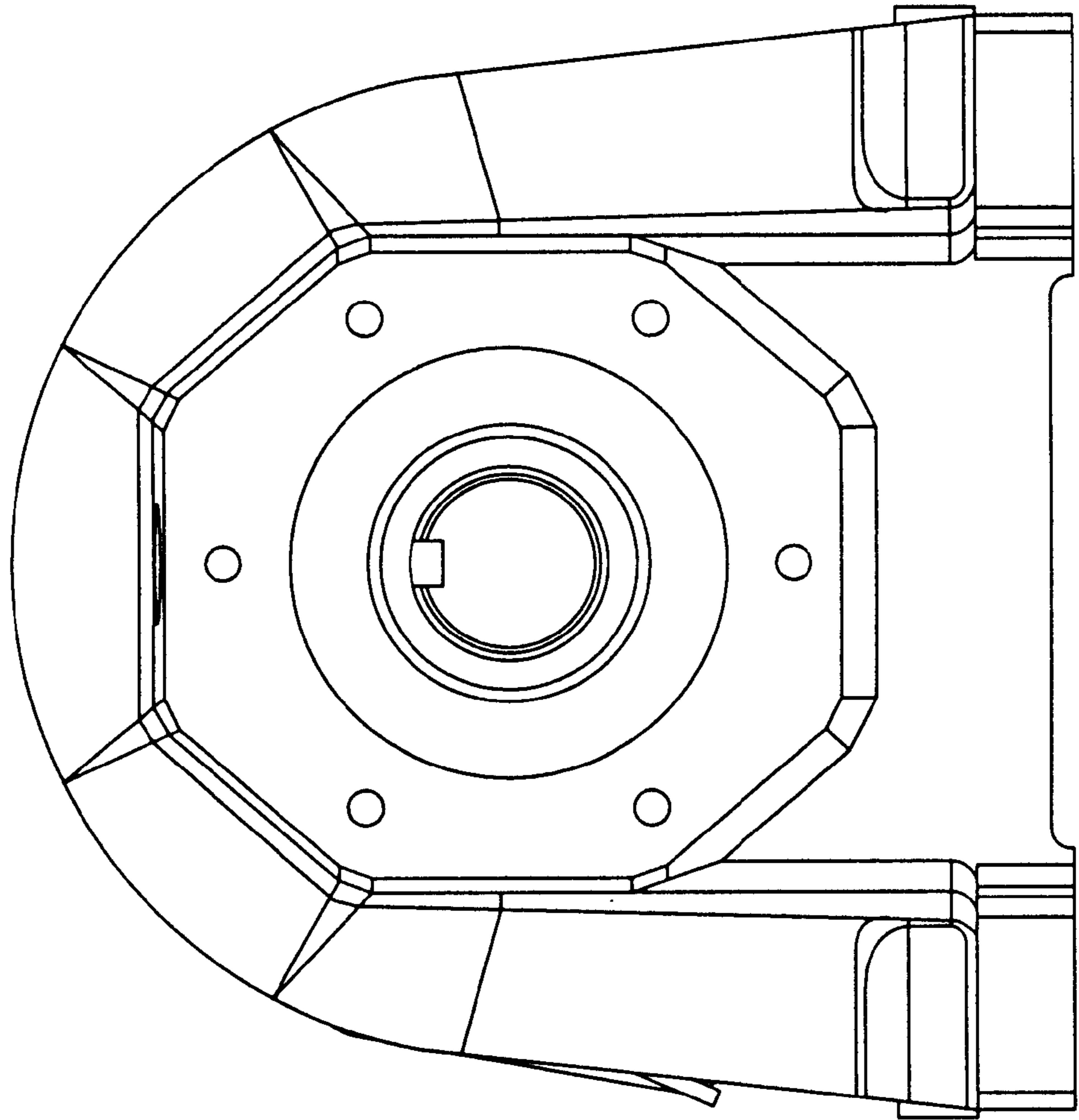


Fig. 10

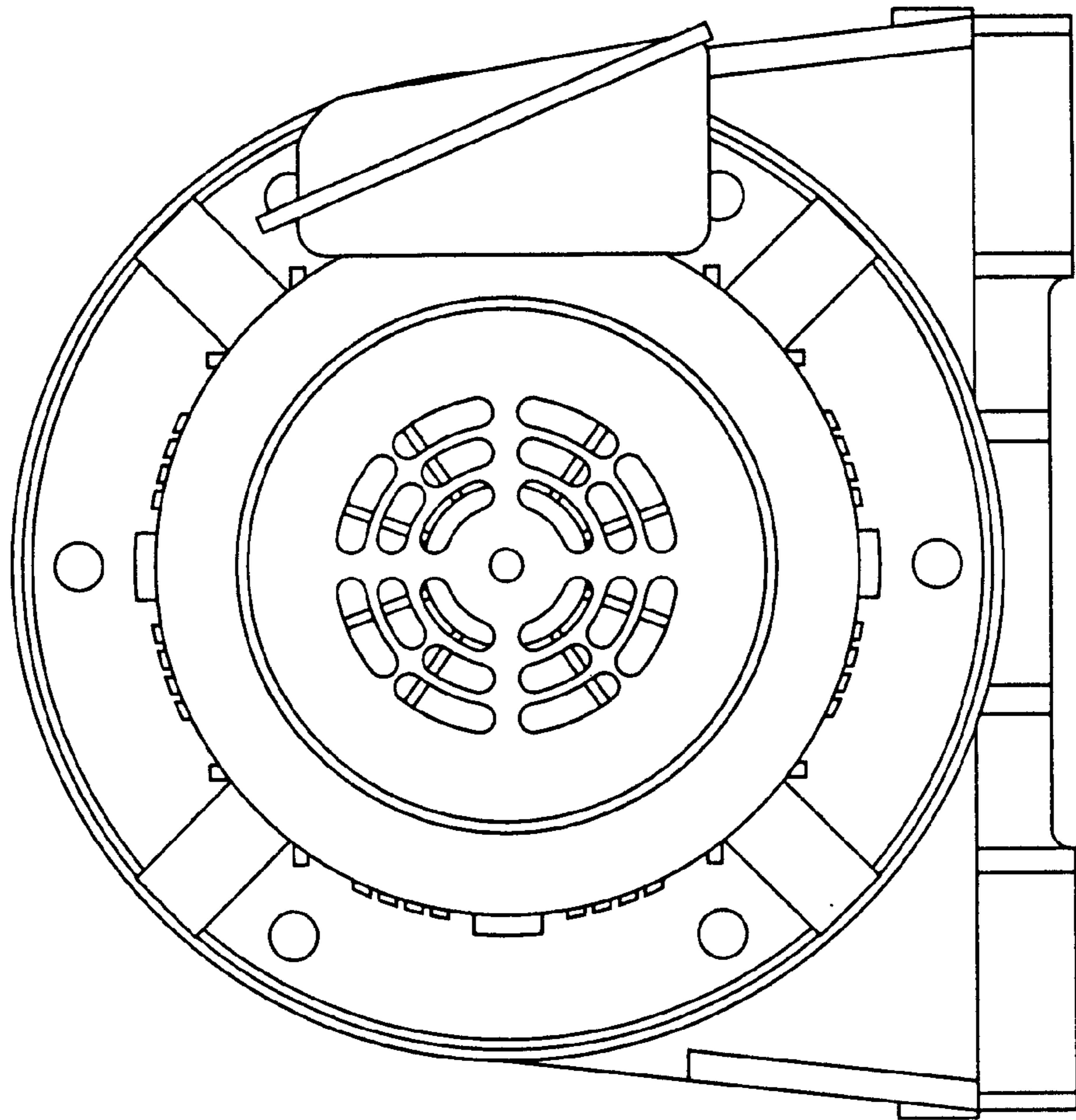


Fig. 11

Fig. 12

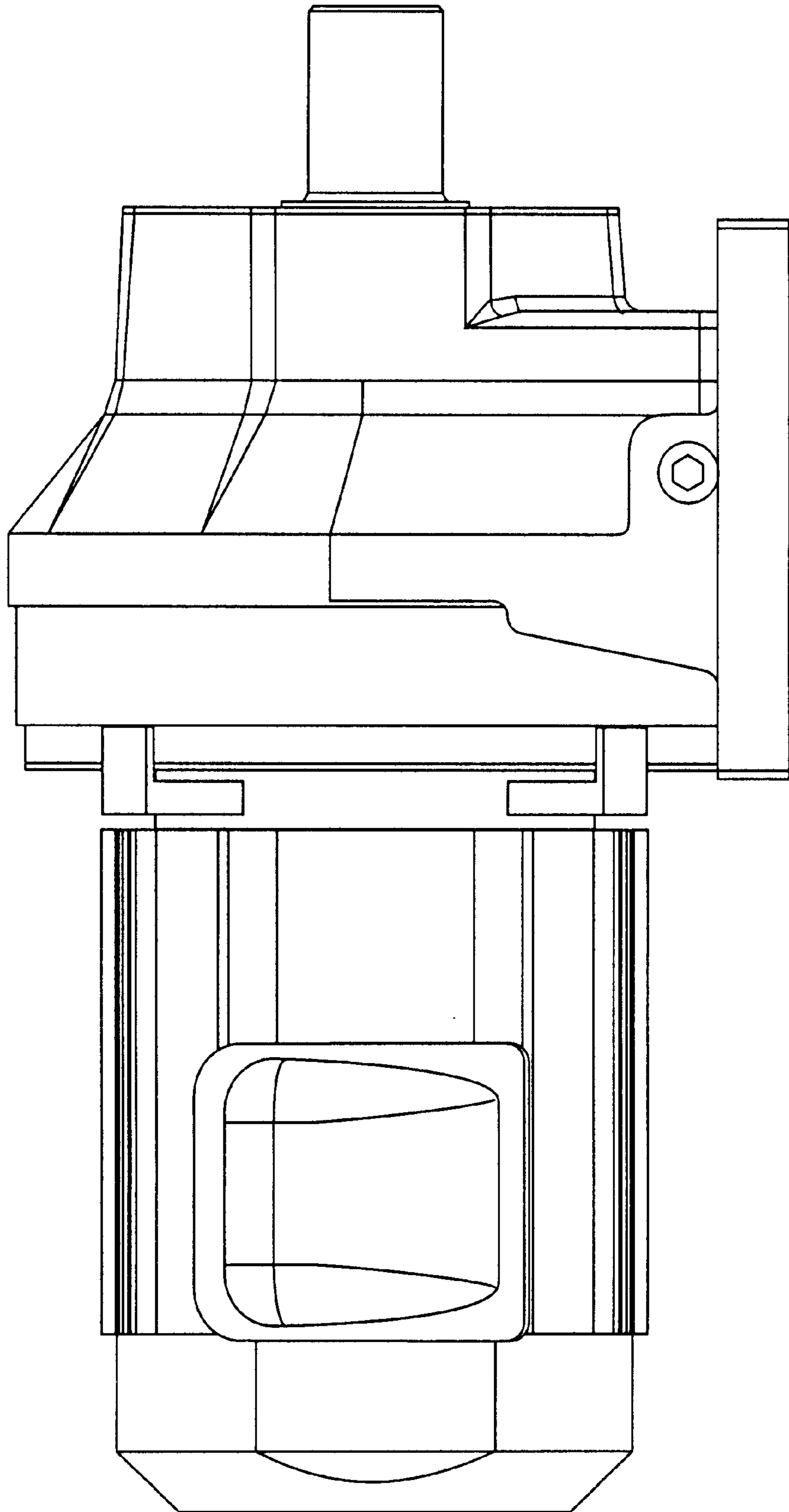


Fig. 13

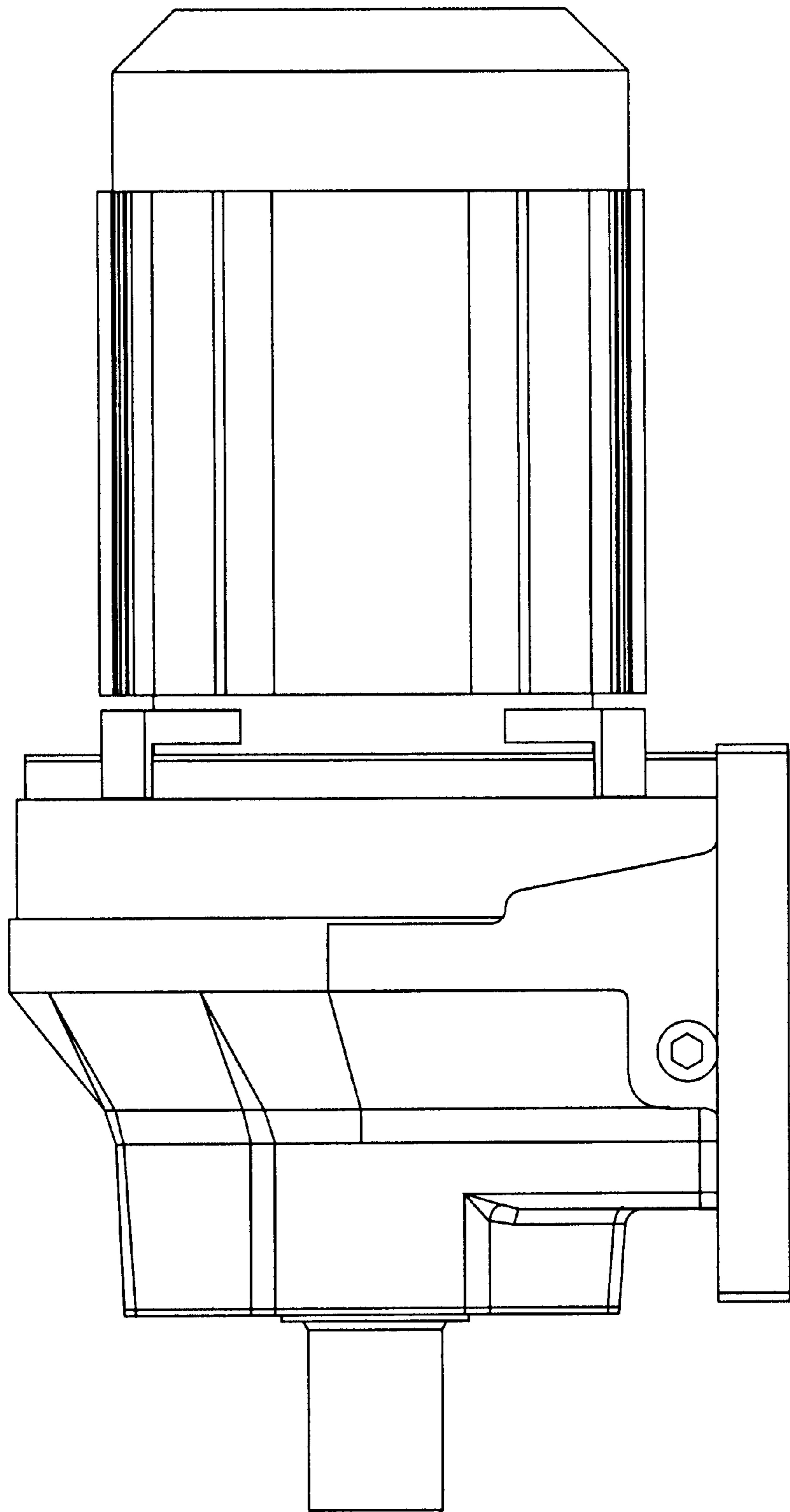


Fig. 14

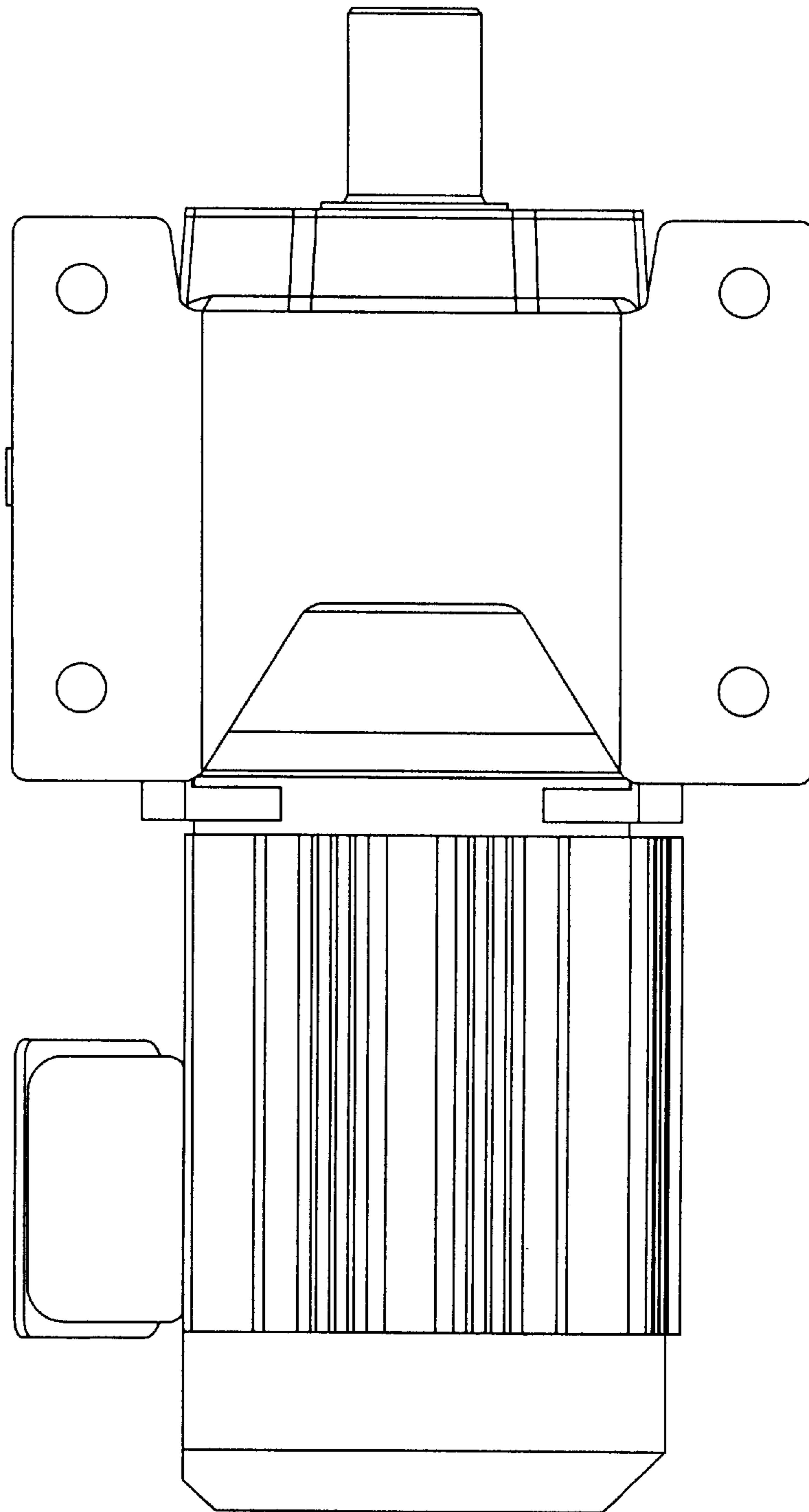


Fig. 15

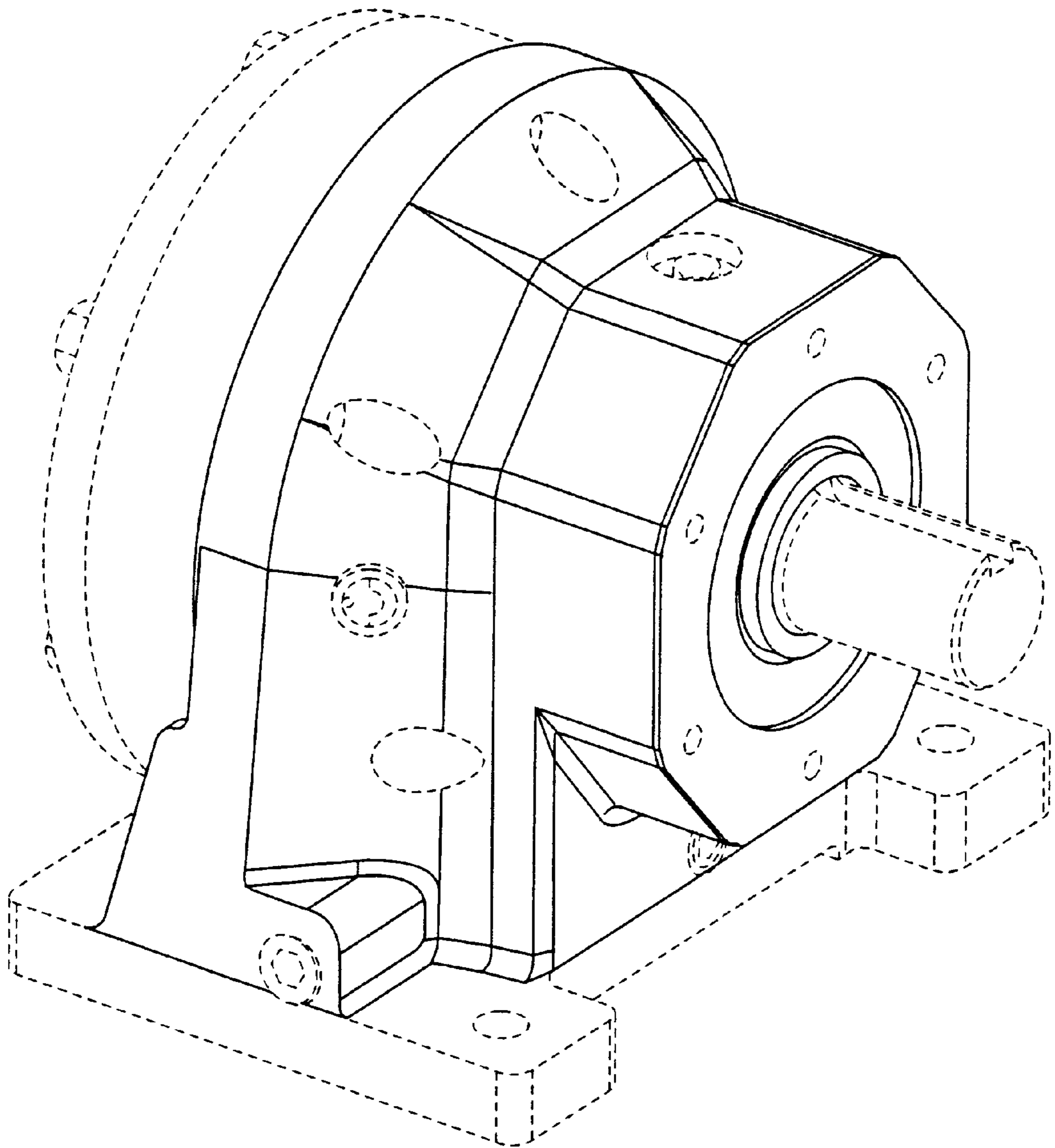


Fig. 16

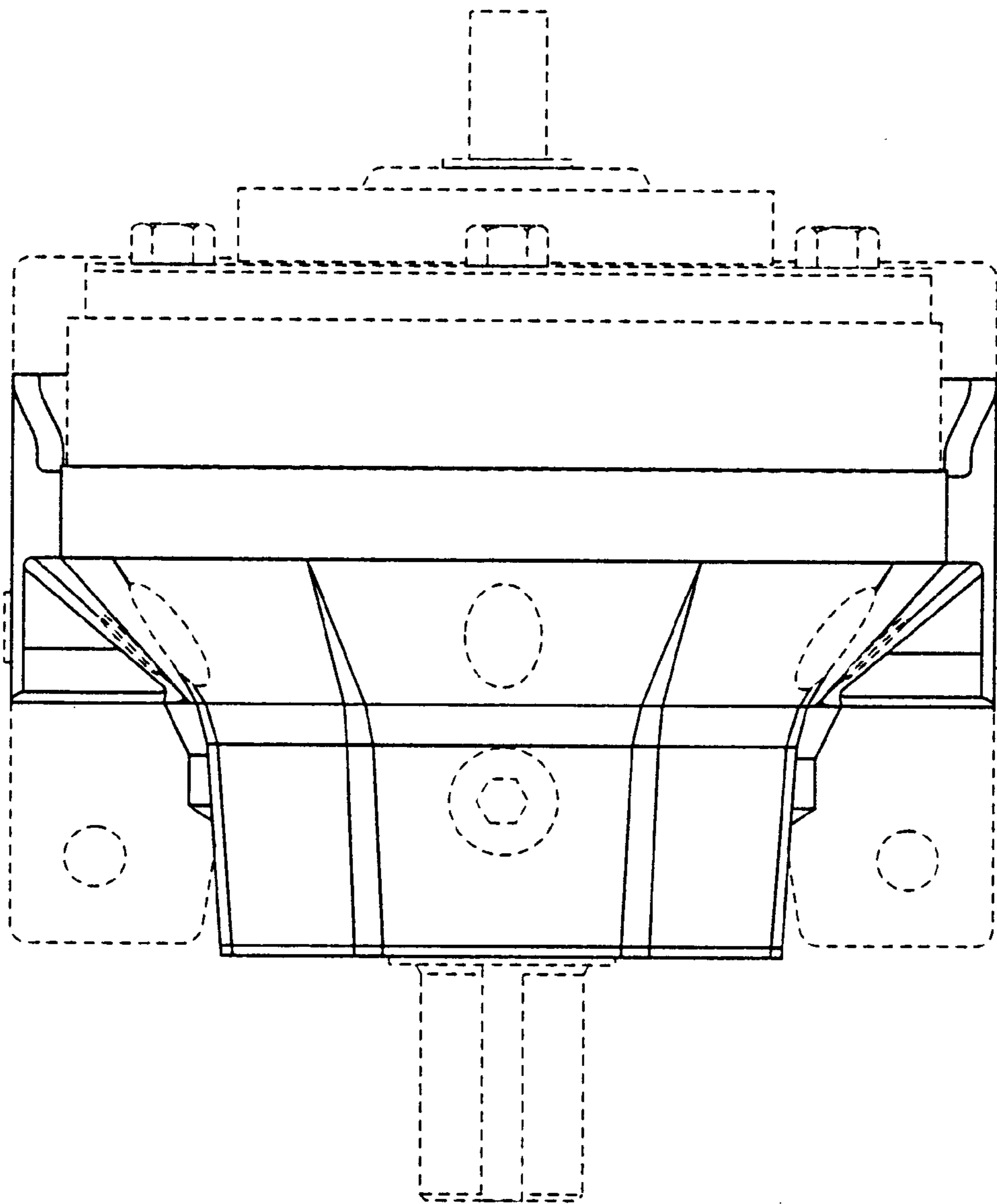


Fig. 17

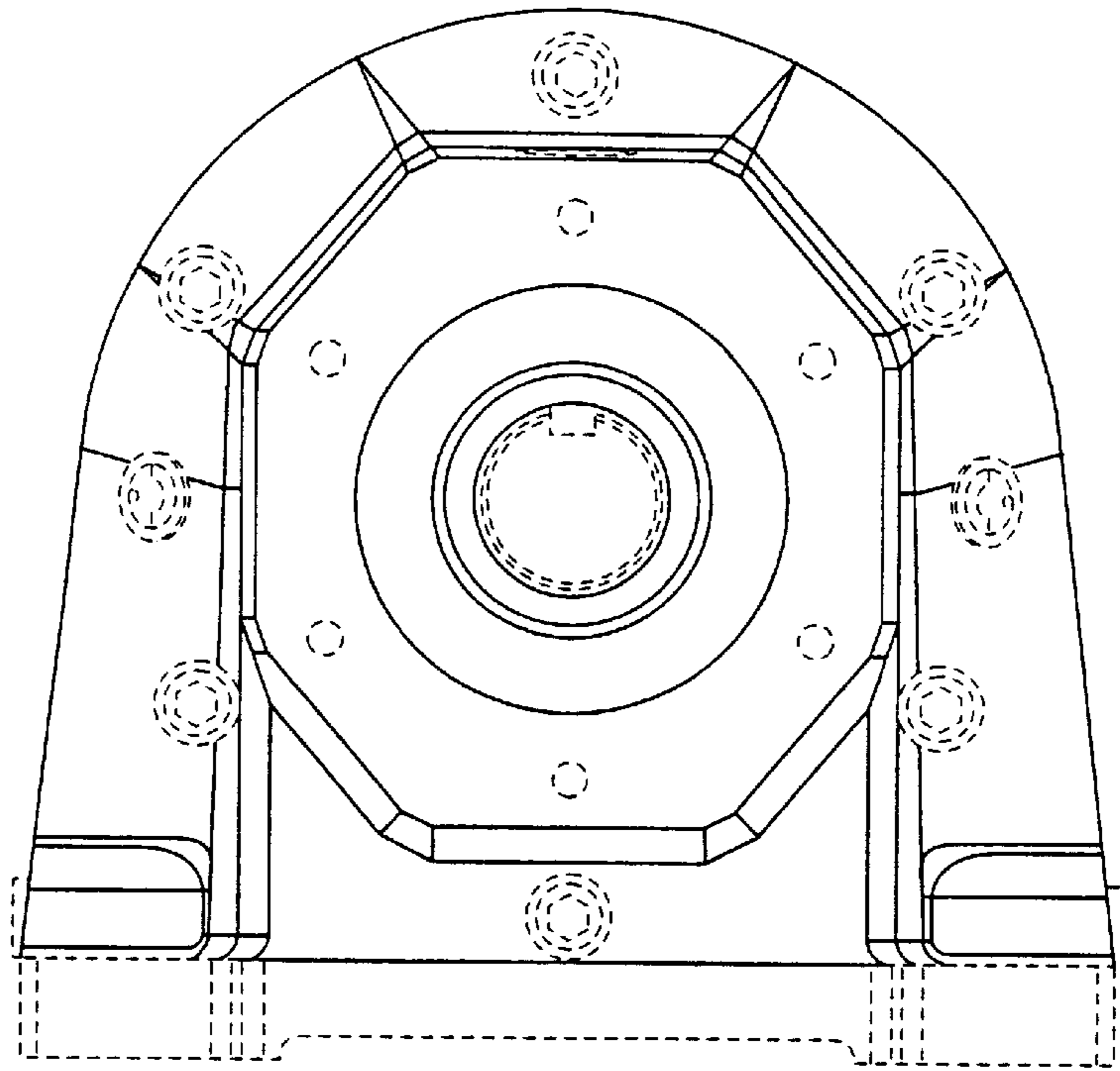


Fig. 18

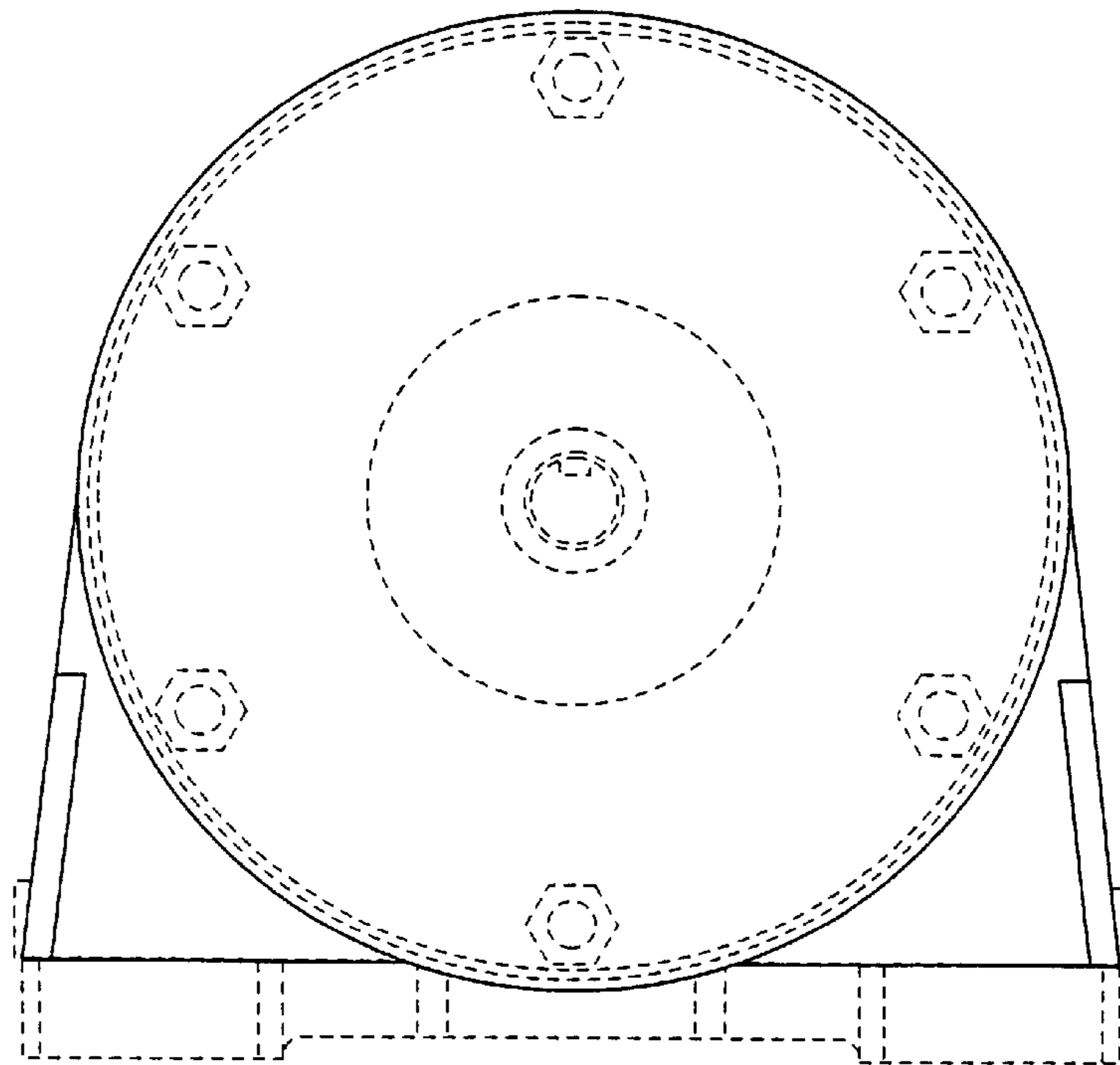


Fig. 19

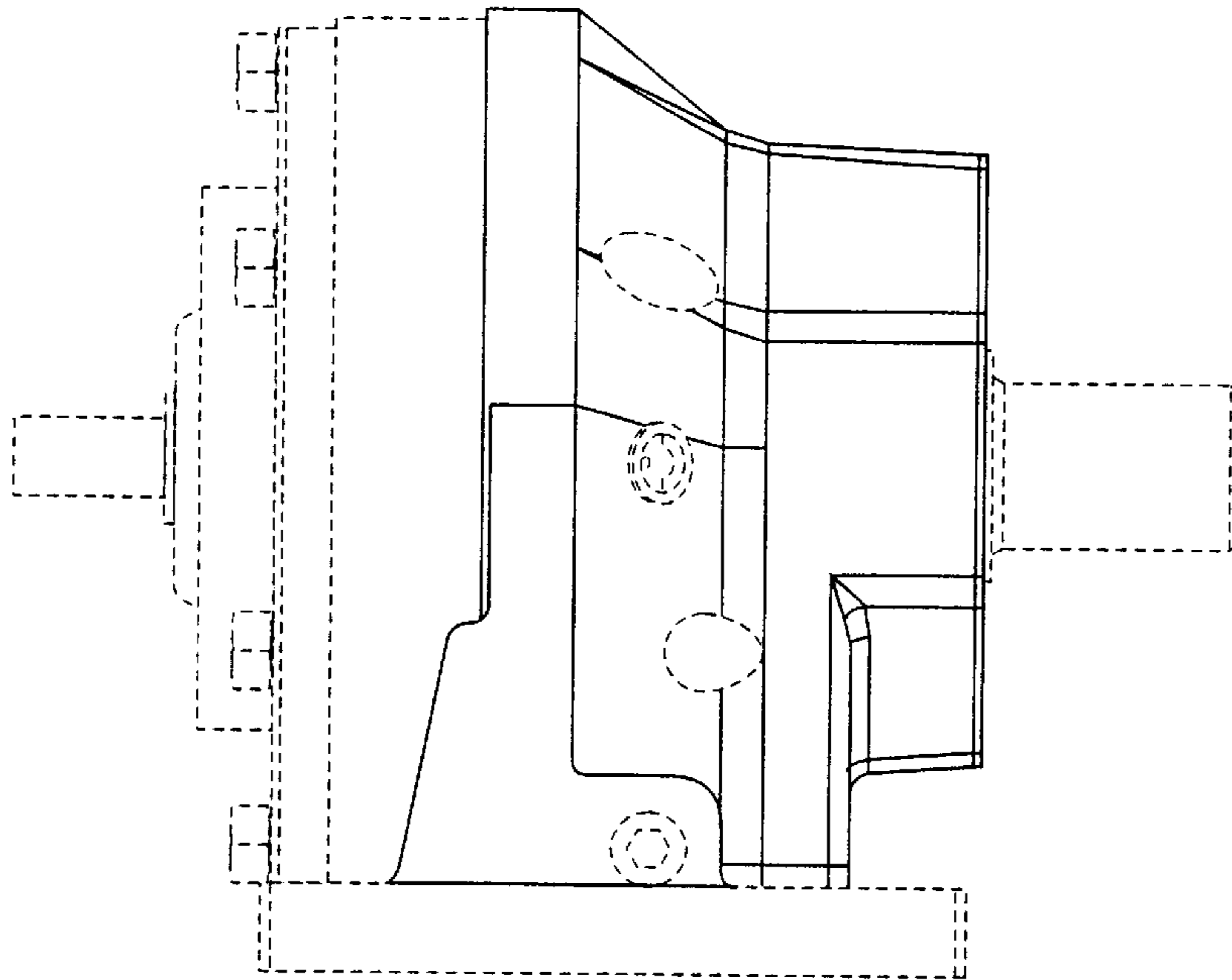


Fig. 20

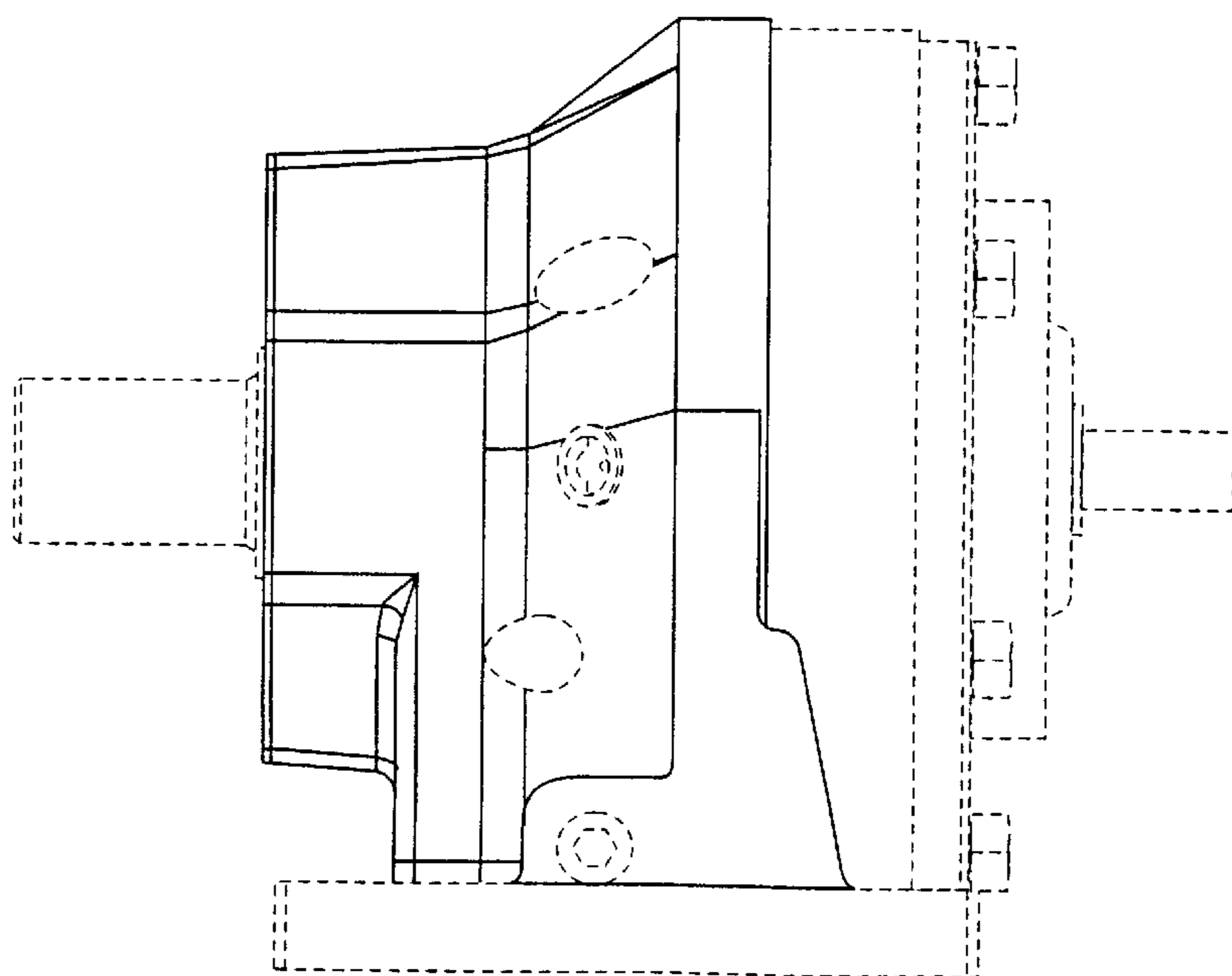
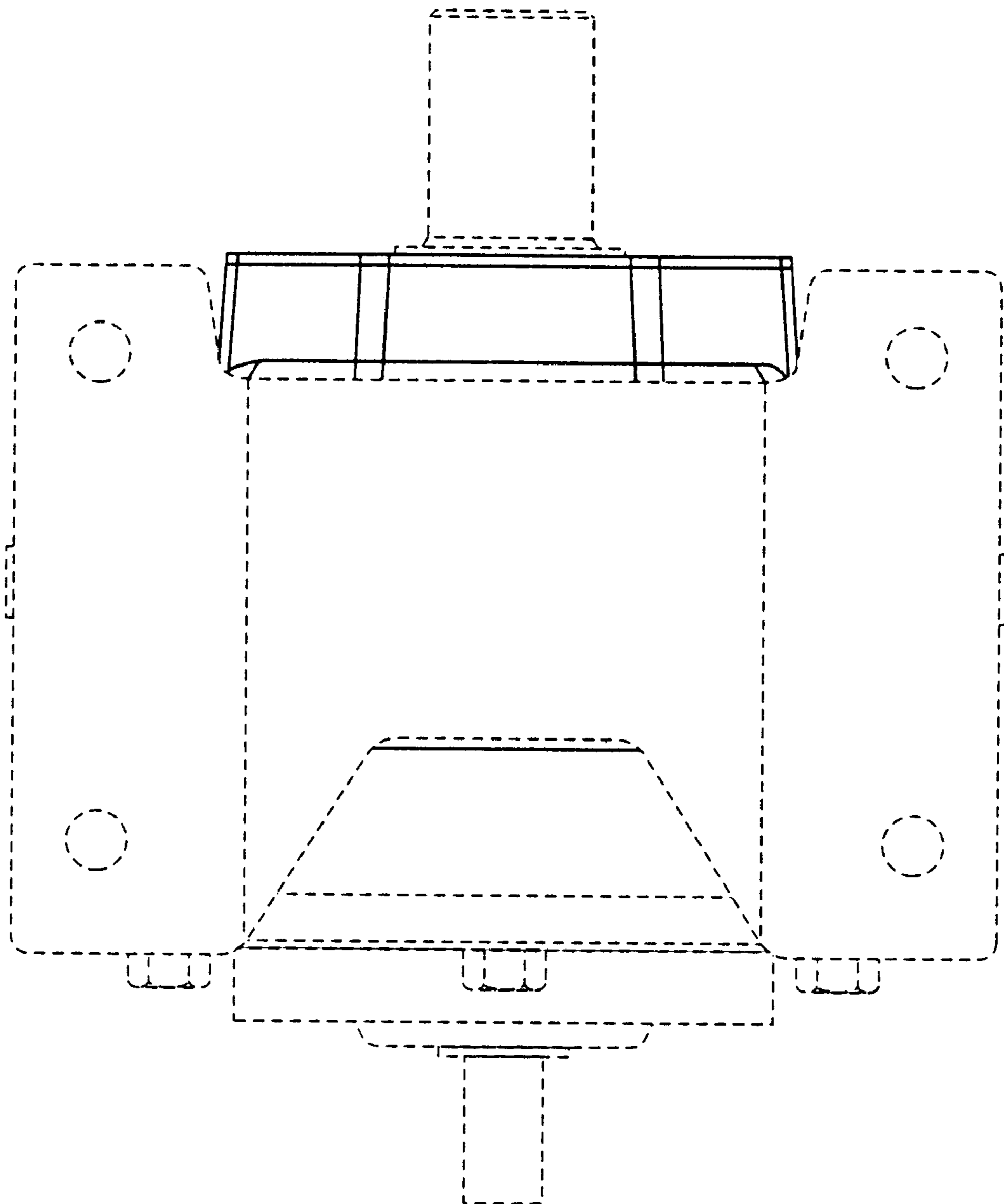


Fig. 21



UNITED STATES PATENT AND TRADEMARK OFFICE
CERTIFICATE OF CORRECTION

PATENT NO. : Des 447,148 S
DATED : August 28, 2001
INVENTOR(S) : G. Anthony et al.

Page 1 of 1

It is certified that error appears in the above-identified patent and that said Letters Patent is hereby corrected as shown below:

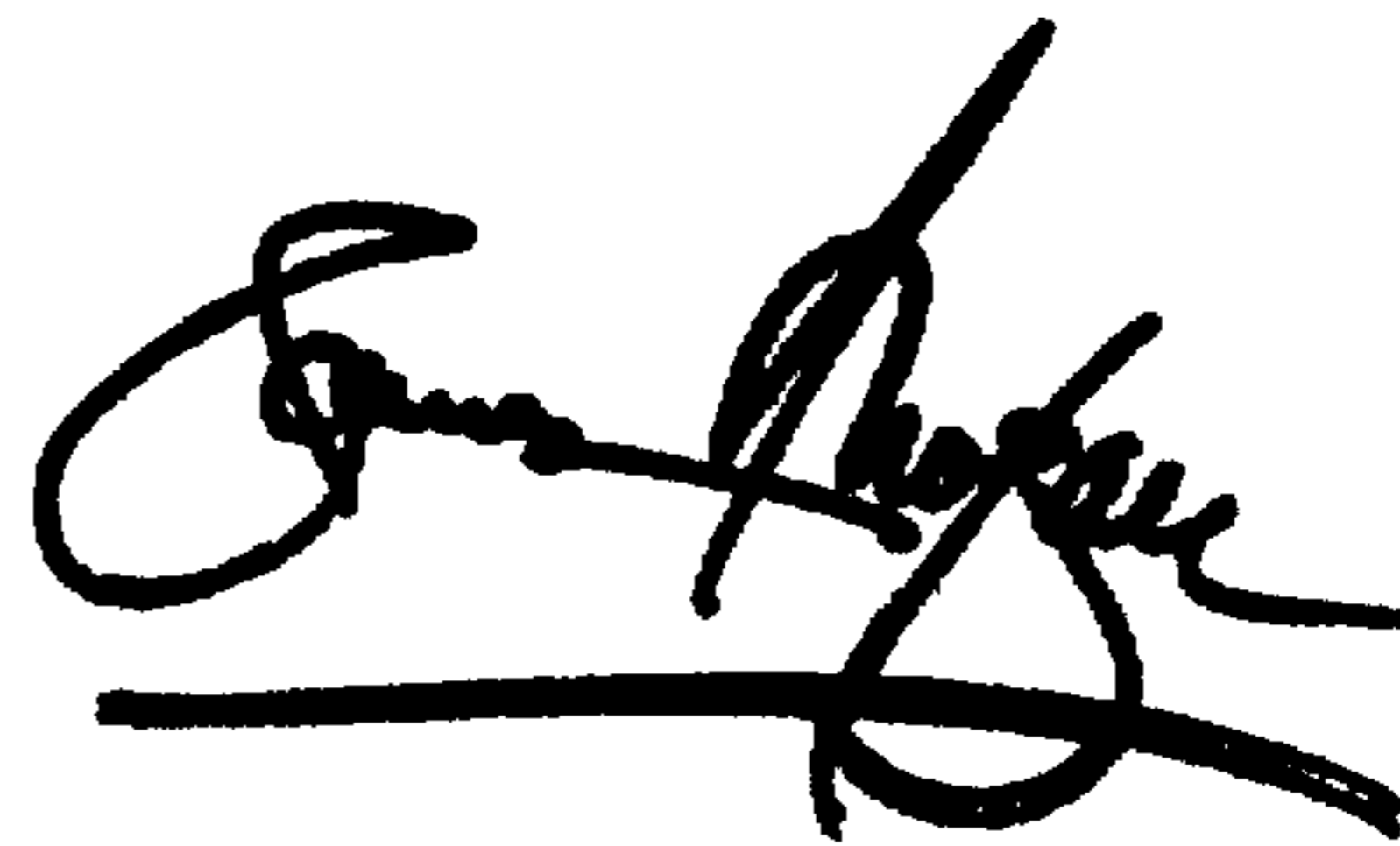
Title page.

Under "Description", please delete all of "FIG. 15 through FIG. 21" and the descriptions thereof.

Signed and Sealed this

Thirtieth Day of April, 2002

Attest:



Attesting Officer

JAMES E. ROGAN
Director of the United States Patent and Trademark Office