



US00D447147B1

(12) **United States Design Patent Grant**

(10) **Patent No.:**

US D447,147 S

(45) **Date of Patent:**

**** Aug. 28, 2001**

(54) **CARBURETOR**

5,863,470 * 1/1999 Grant 261/23.2

(76) Inventor: **Barry S. Grant**, 206 Lanier Dr.,
Dahlonega, GA (US) 30533

* cited by examiner

(**) Term: **14 Years**

Primary Examiner—Melody N. Brown
(74) *Attorney, Agent, or Firm*—Thomas, Kayden,
Horstemeyer & Risley

(21) Appl. No.: **29/118,787**

(57) **CLAIM**

(22) Filed: **Feb. 15, 2000**

The ornamental design for a carburetor, as shown and described.

(51) **LOC (7) Cl.** **15-01**

(52) **U.S. Cl.** **D15/6**

(58) **Field of Search** D15/1-6; 261/18.3,
261/23.2, 23.1; 123/474, 472, 478

DESCRIPTION

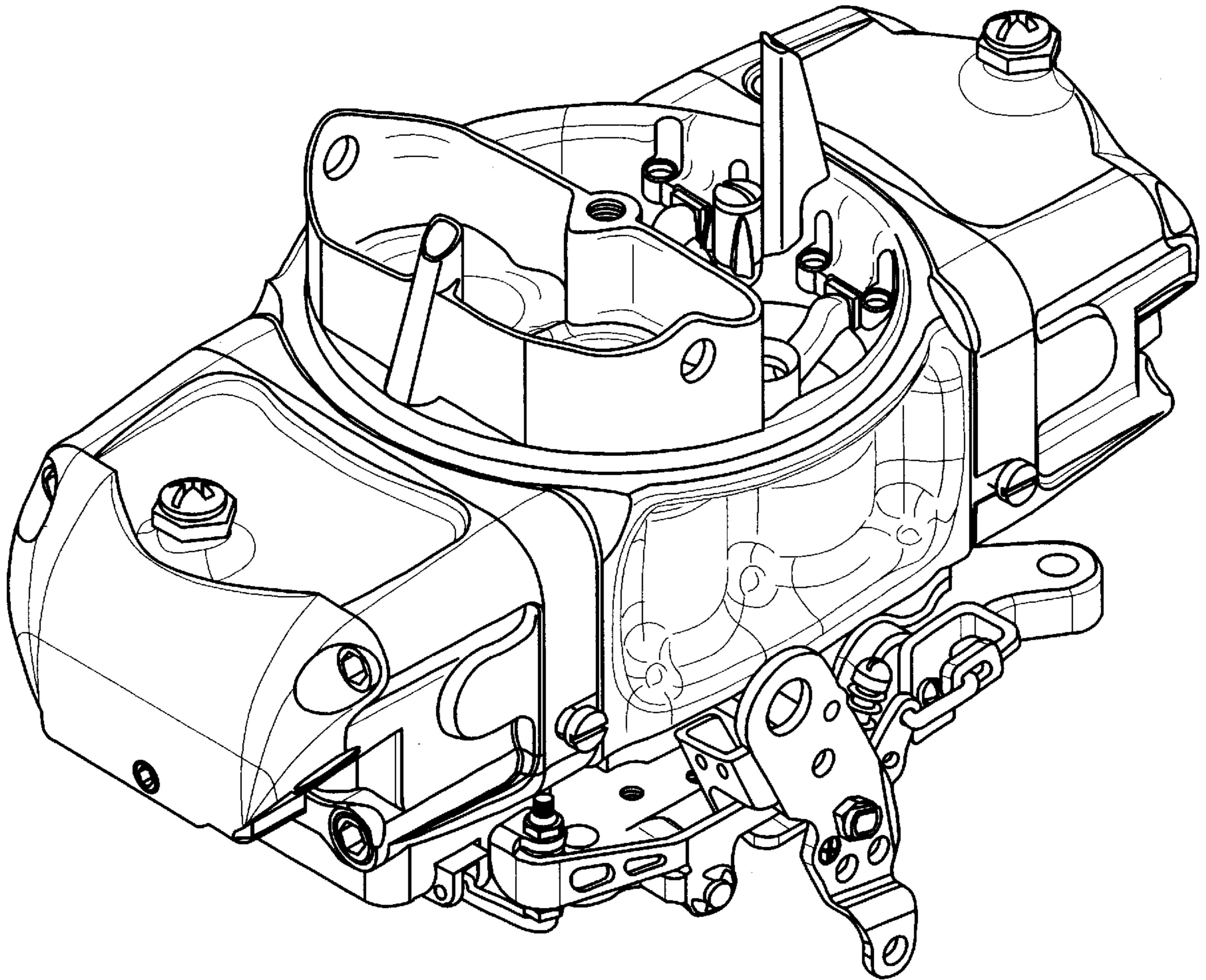
(56) **References Cited**

U.S. PATENT DOCUMENTS

D. 408,010	*	4/1999	Sato et al.	D15/51
5,667,730		9/1997	Barfield	261/18.3
5,807,512		9/1998	Grant	261/23.2
5,809,972	*	9/1998	Grant	123/478

FIG. 1 is a perspective view of the carburetor, showing the front, left end and top thereof;
FIG. 2 is a front view thereof;
FIG. 3 is a left end view thereof;
FIG. 4 is a right end view thereof;
FIG. 5 is a rear view thereof;
FIG. 6 is a top view thereof; and,
FIG. 7 is a bottom view thereof.

1 Claim, 6 Drawing Sheets



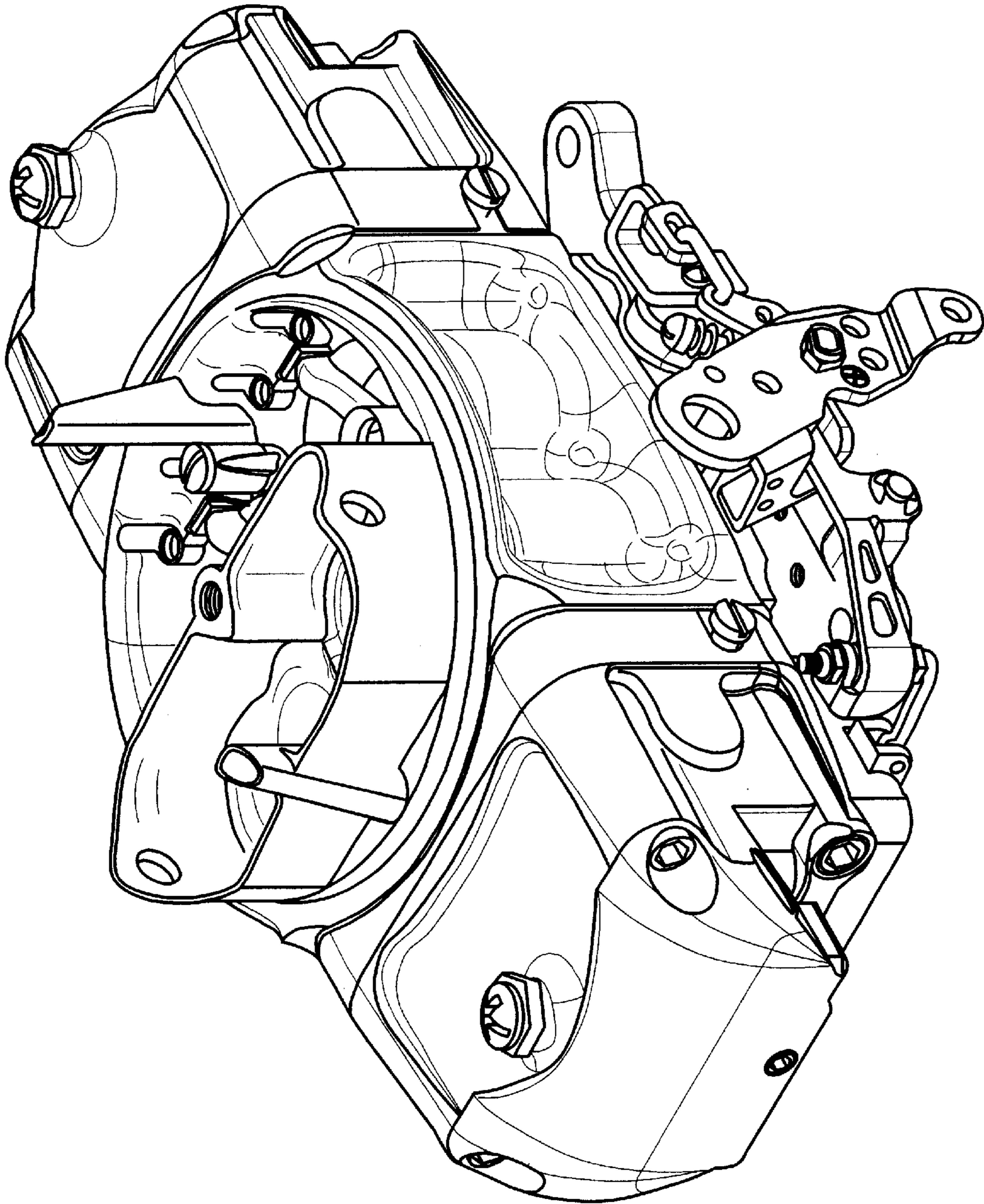


Fig. 1

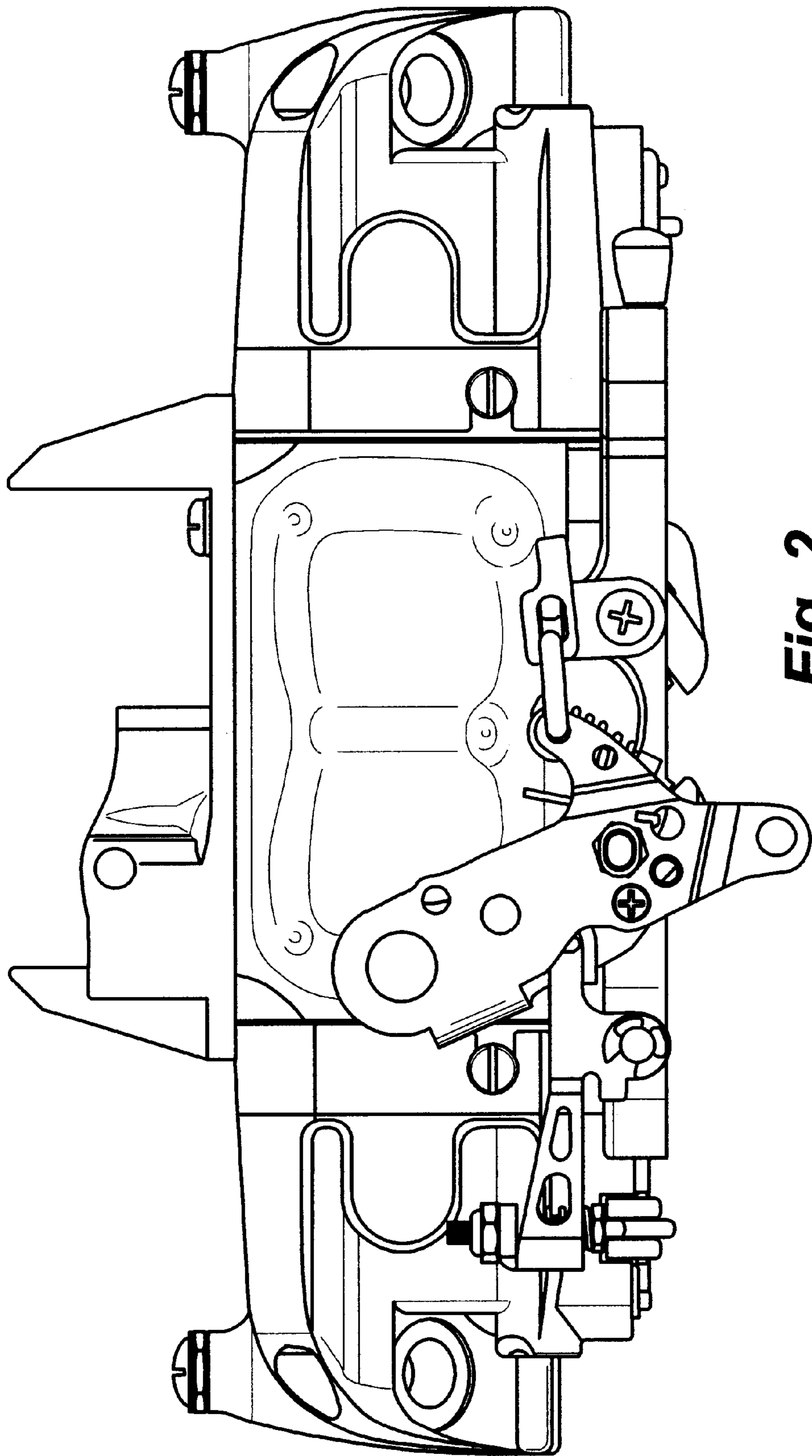
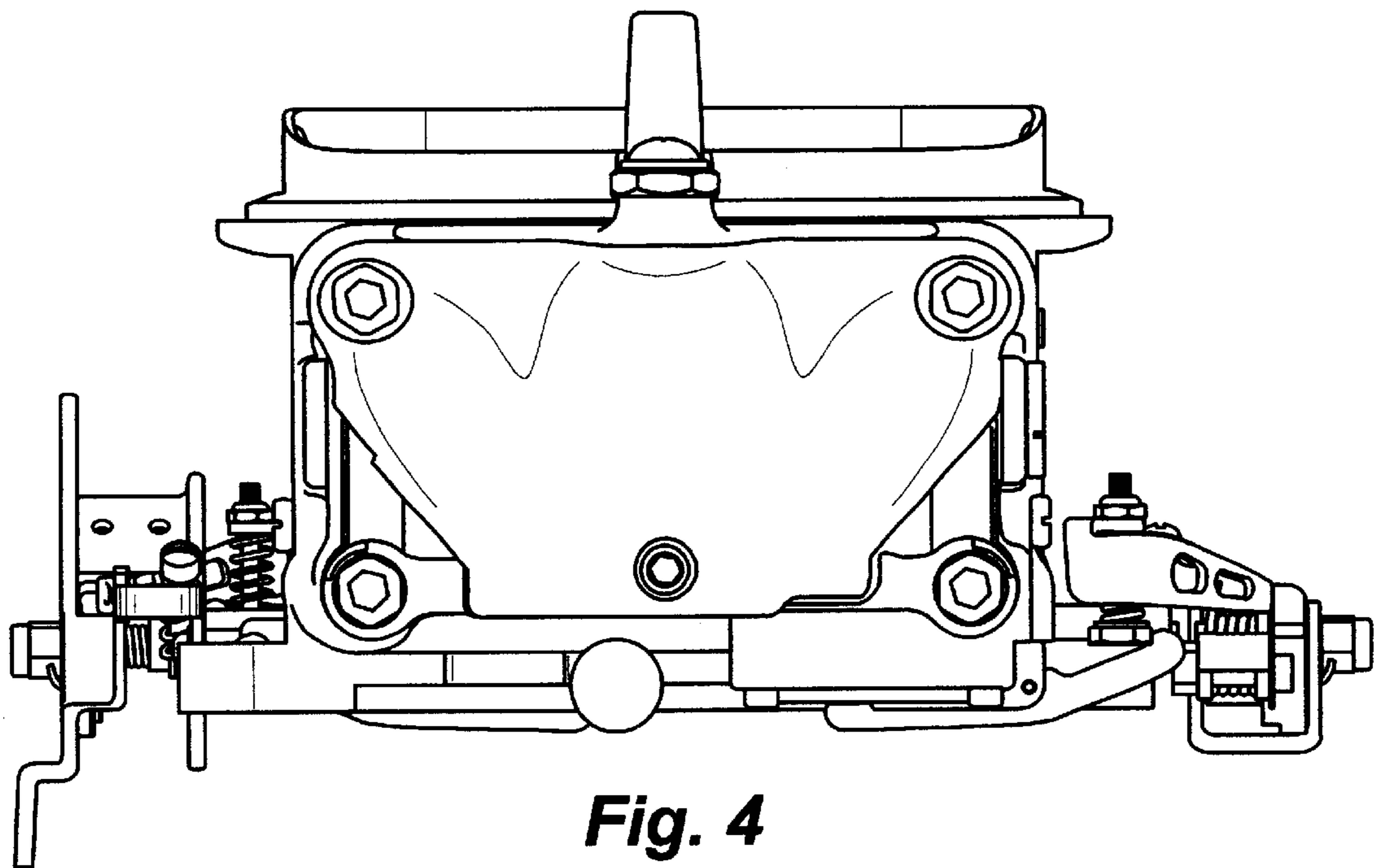
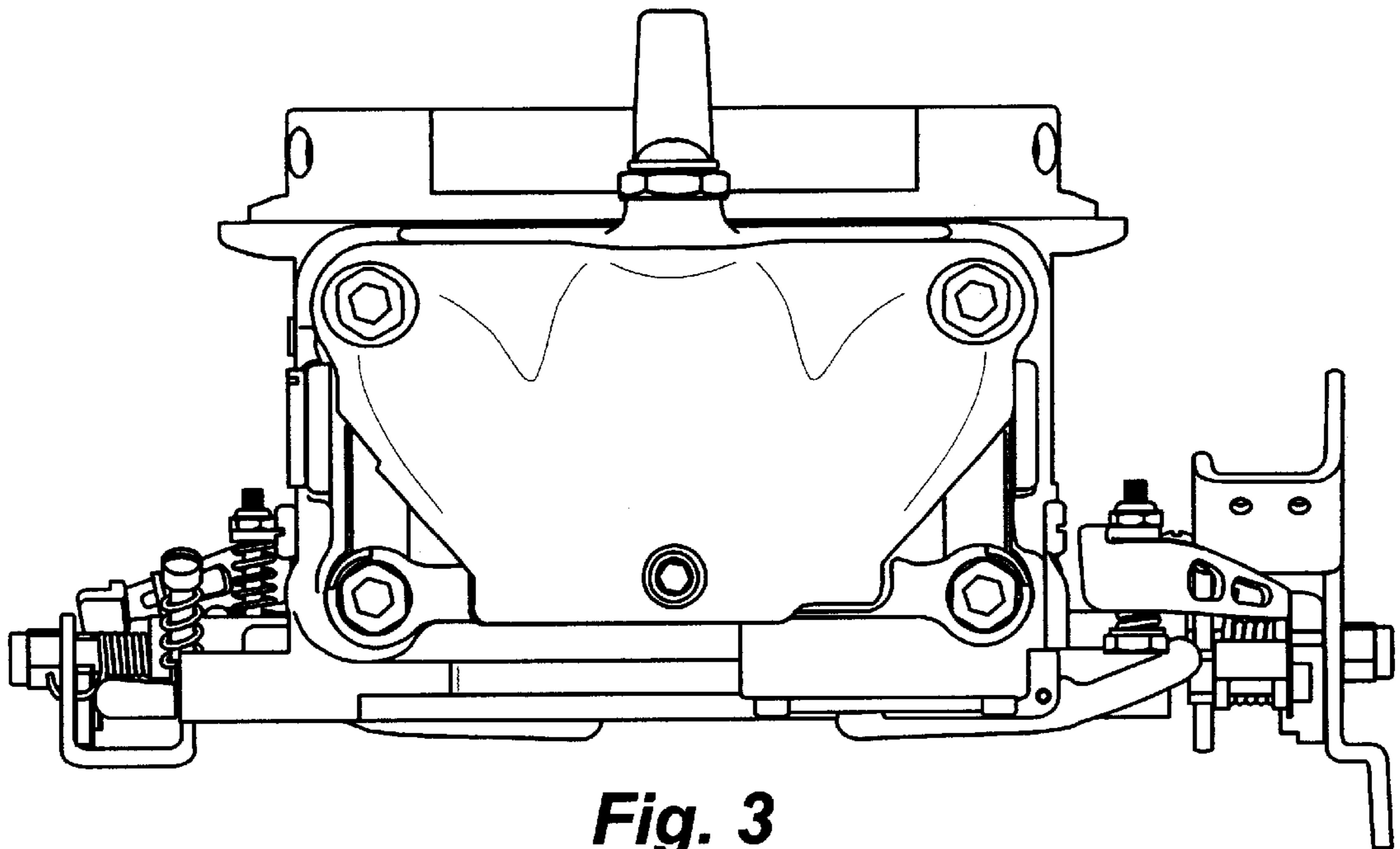


Fig. 2



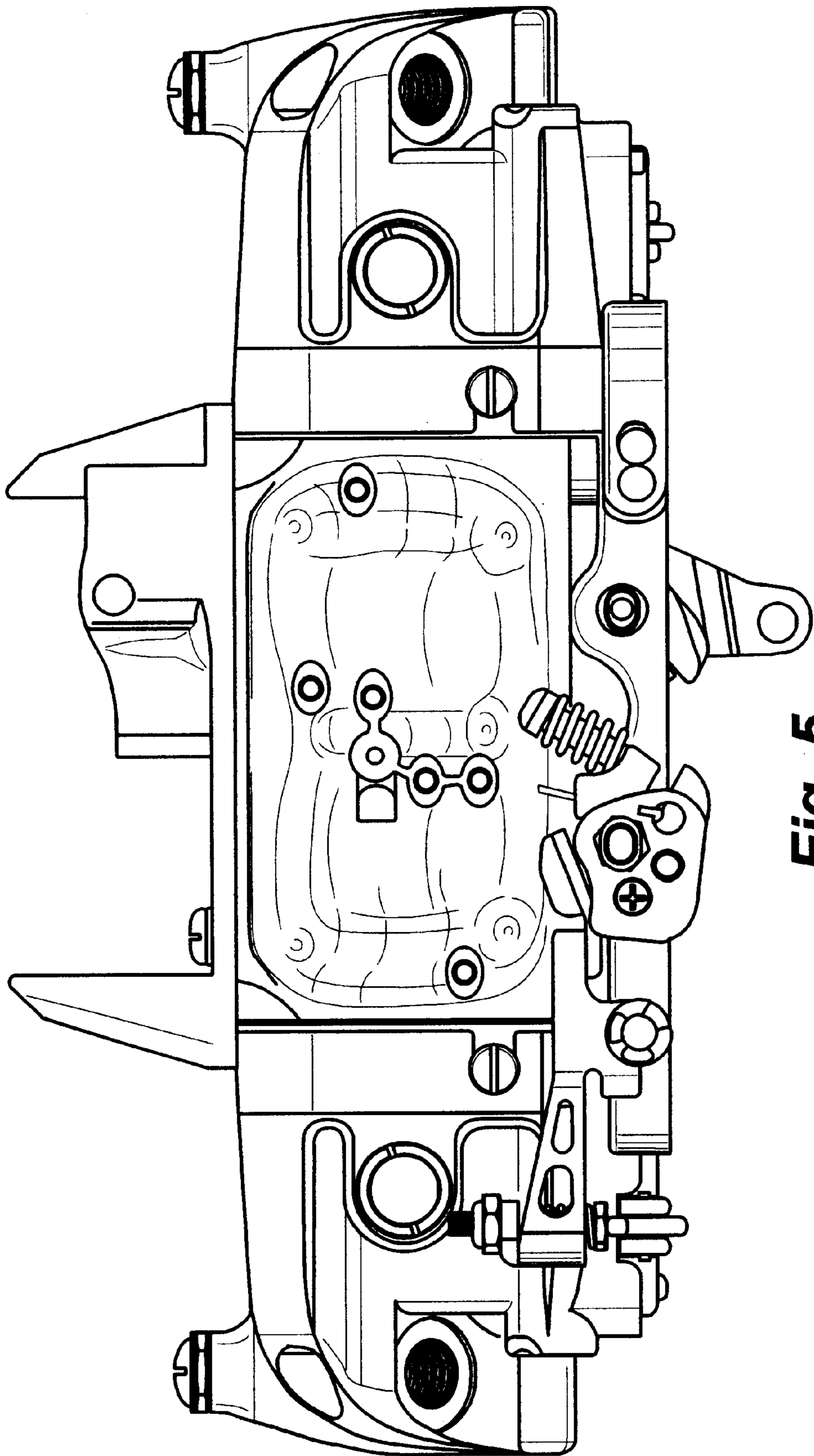


Fig. 5

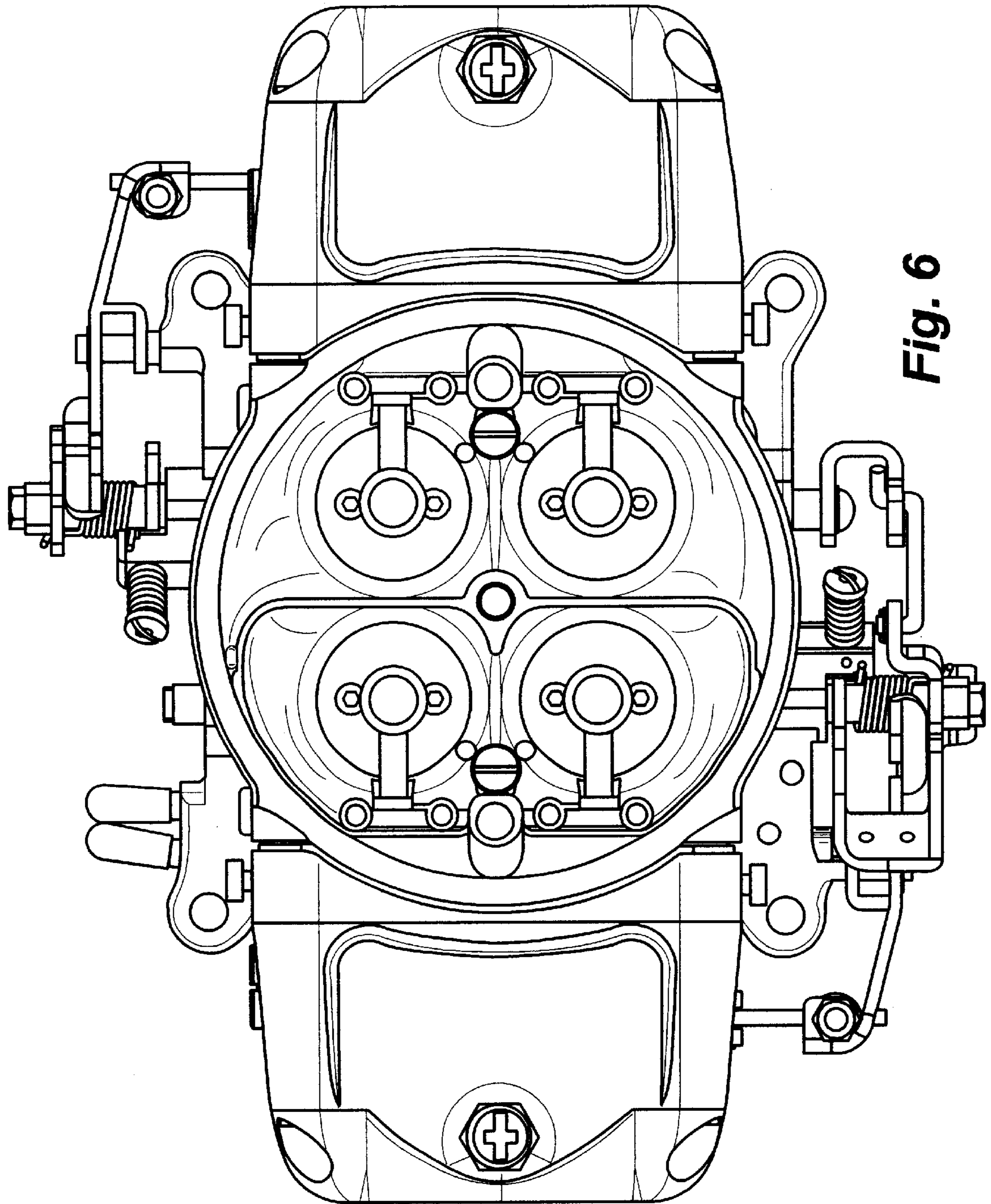


Fig. 6

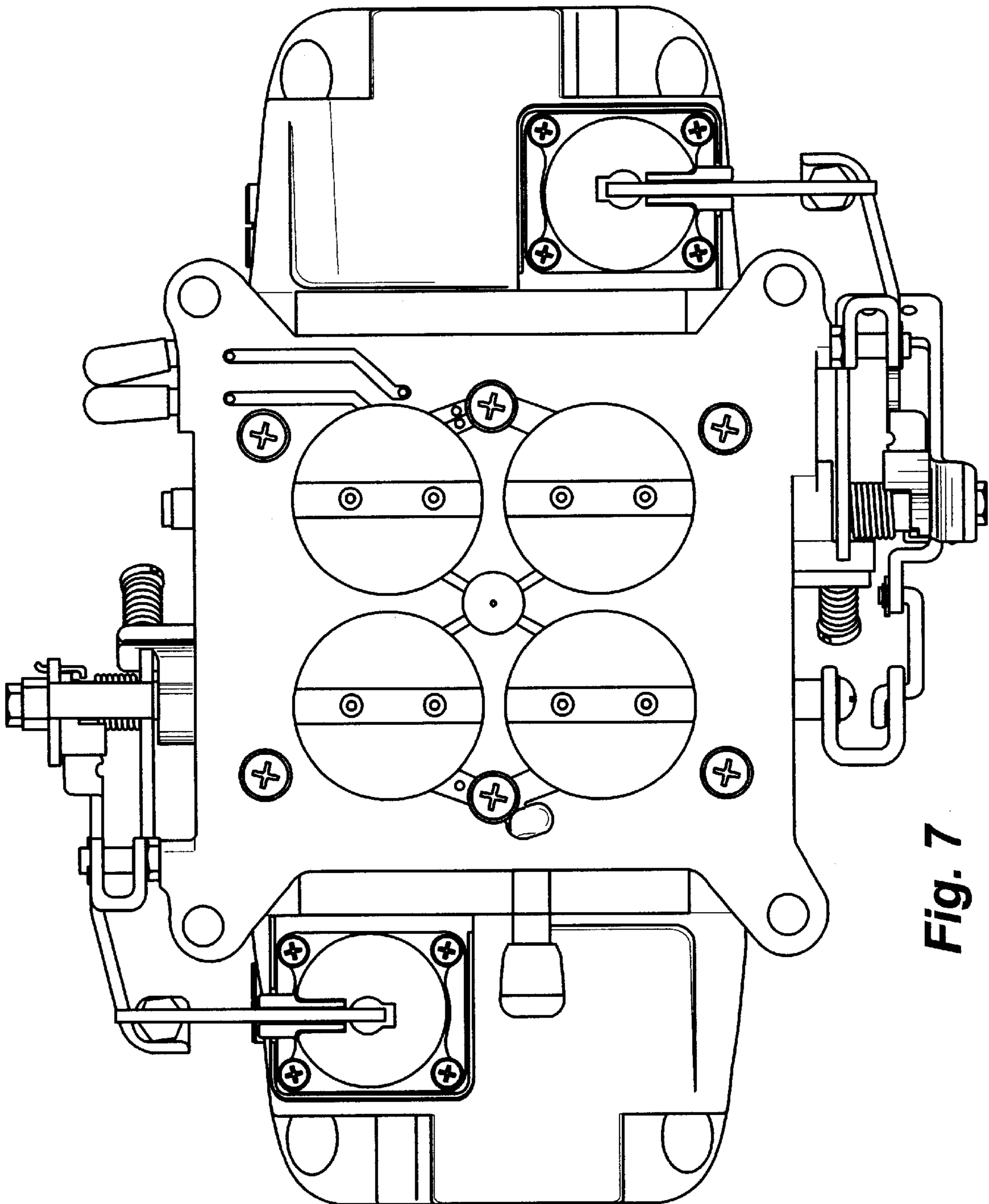


Fig. 7