



US00D447142B1

(12) **United States Design Patent**
Khovaylo et al.

(10) **Patent No.:** **US D447,142 S**

(45) **Date of Patent:** **** Aug. 28, 2001**

(54) **SCANNER**

(75) Inventors: **Modest Khovaylo**, Fort Collins, CO (US); **Scott Henderson**; **Allen Zadeh**, both of Brooklyn, NY (US); **Kevin Lozeau**, Ridge, NY (US); **Davin Stowell**, New York, NY (US)

(73) Assignee: **Hewlett Packard Company**, Palo Alto, CA (US)

(**) Term: **14 Years**

(21) Appl. No.: **29/122,288**

(22) Filed: **Apr. 24, 2000**

(51) **LOC (7) Cl.** **14-02**

(52) **U.S. Cl.** **D14/425**

(58) **Field of Search** D14/421, 422, D14/424, 425; D18/36, 37, 39; 250/556; 235/476, 482, 483; 355/64, 65, 75, 81; 382/313

(56) **References Cited**

U.S. PATENT DOCUMENTS

D. 336,078	6/1993	Khovaylo	D14/425
D. 337,606	7/1993	Khovaylo	D18/49
D. 388,773	* 1/1998	Chang et al.	D14/425
D. 405,066	* 2/1999	Wu et al.	D14/425
D. 419,140	1/2000	Khovaylo et al.	D14/425
D. 420,344	2/2000	Dow et al.	D14/428
5,646,402	7/1997	Khovaylo et al.	250/234

OTHER PUBLICATIONS

U.S. Design application No. 29/093,207 filed Sep. 17, 1998 for Notebook Scanner of Modest Khovaylo and James C. Dow.

U.S. application No. 09/154,001 filed Sep. 25, 1998 for Optical Scanner with Inclined Platen of Modest Khovaylo. U.S. Design application No. 29/092,525 filed Aug. 20, 1998 for Optical Scanner of Modest Khovaylo, Davin Stowell and Scott Henderson.

* cited by examiner

Primary Examiner—Freda Nunn

(57) **CLAIM**

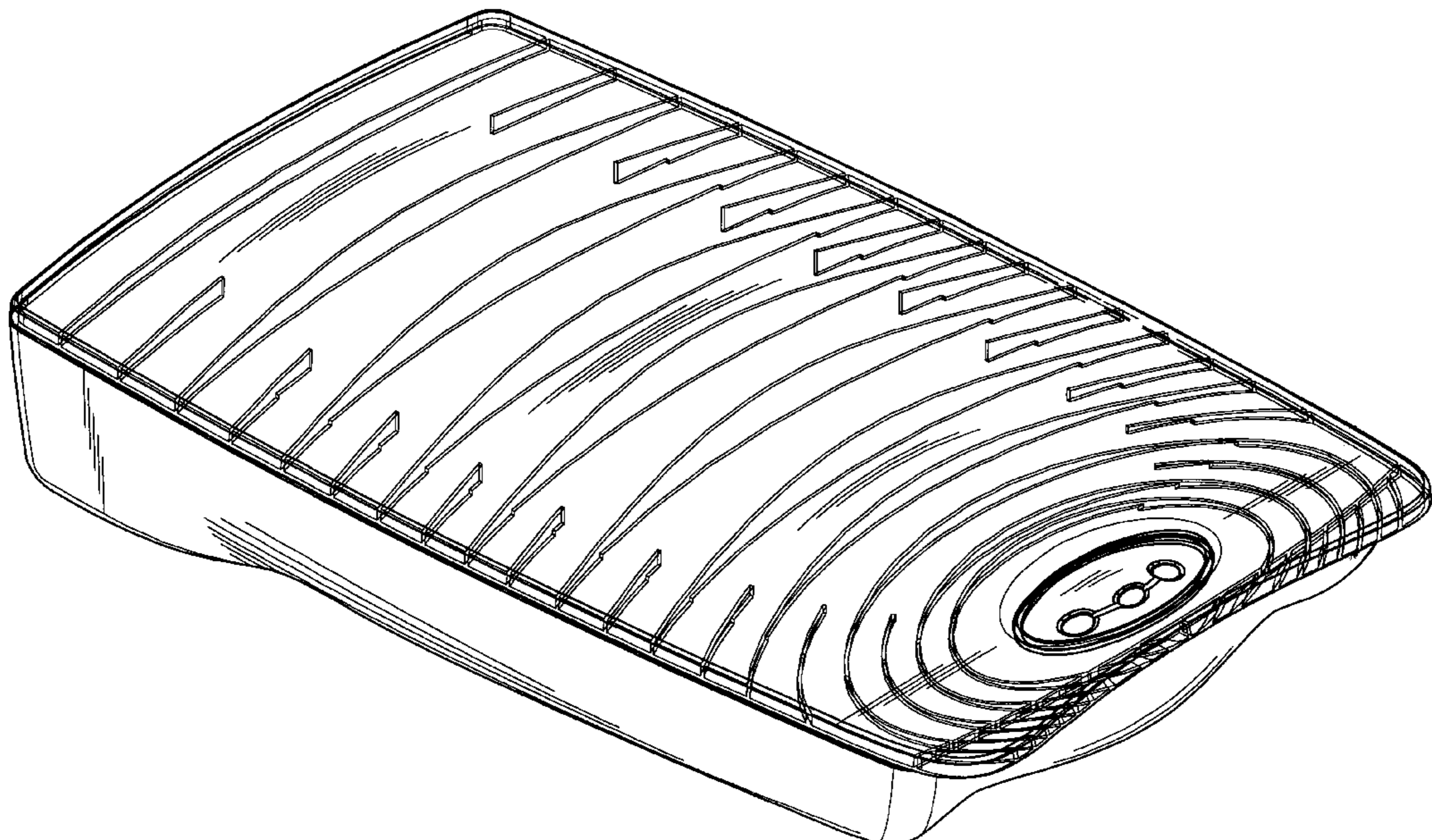
The ornamental design for a scanner, as shown and described.

DESCRIPTION

FIG. 1 is an isometric view of a scanner having a semi-transparent top cover with visible internal ribs; FIG. 2 is a top plan view thereof; FIG. 3 is a bottom plan view thereof; FIG. 4 is a front elevation view thereof with the cover somewhat simplified for clarity, the missing detail of which is shown in FIGS. 1 and 2; FIG. 5 is a rear elevation view thereof with the cover somewhat simplified for clarity, the missing detail of which is shown in FIGS. 1 and 2; FIG. 6 is a left side elevation view thereof with the cover somewhat simplified for clarity, the missing detail of which is shown in FIGS. 1 and 2; FIG. 7 is a right side elevation view thereof with the cover somewhat simplified for clarity, the missing detail of which is shown in FIGS. 1 and 2; FIG. 8 is a longitudinal cross-sectional view thereof taken along line 8—8 in FIG. 2; and, FIG. 9 is a lateral cross sectional view thereof taken along line 9—9 in FIG. 2.

The broken lines are shown in the views for illustrative purposes only and form no part of the claimed design.

1 Claim, 7 Drawing Sheets



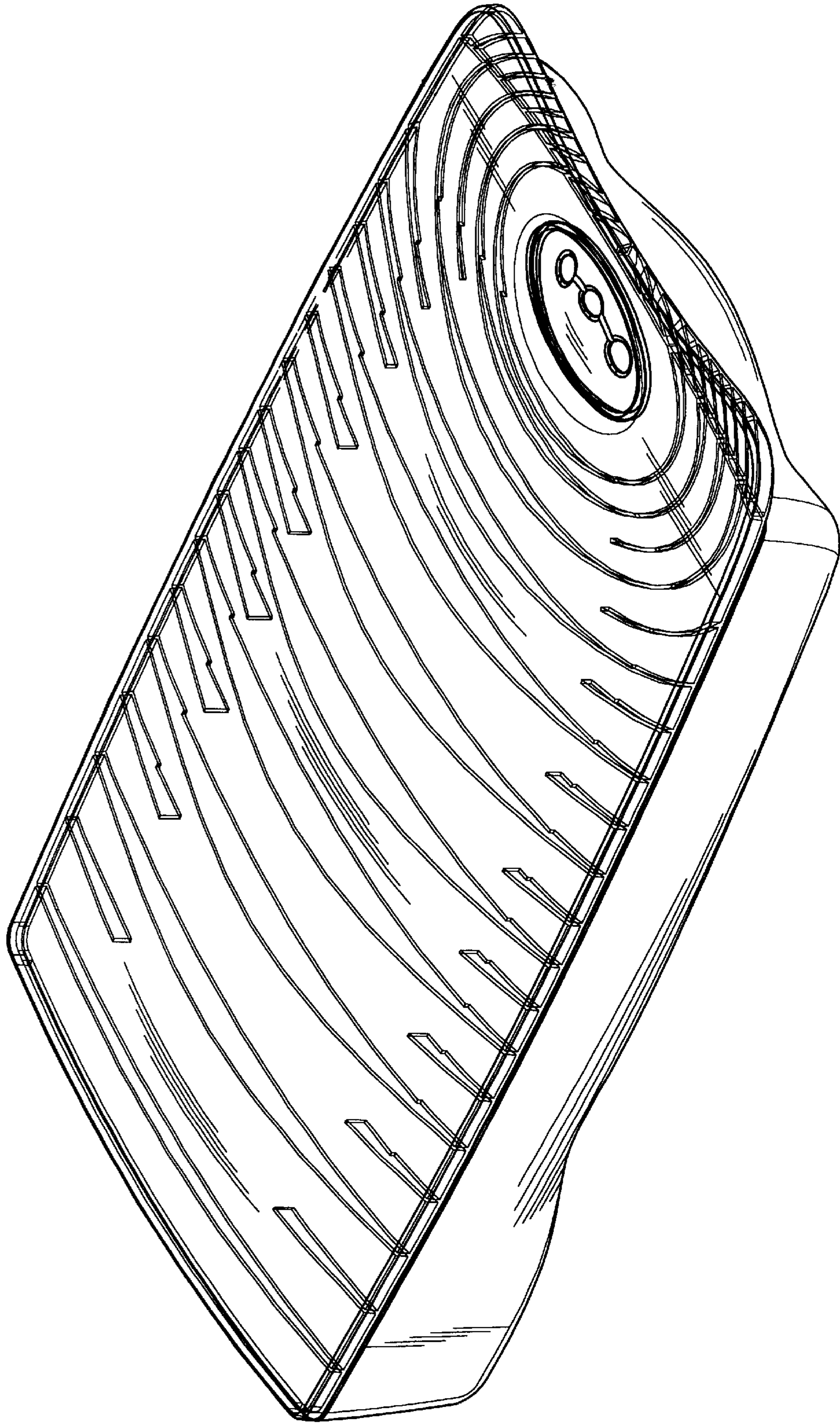


FIG. 1

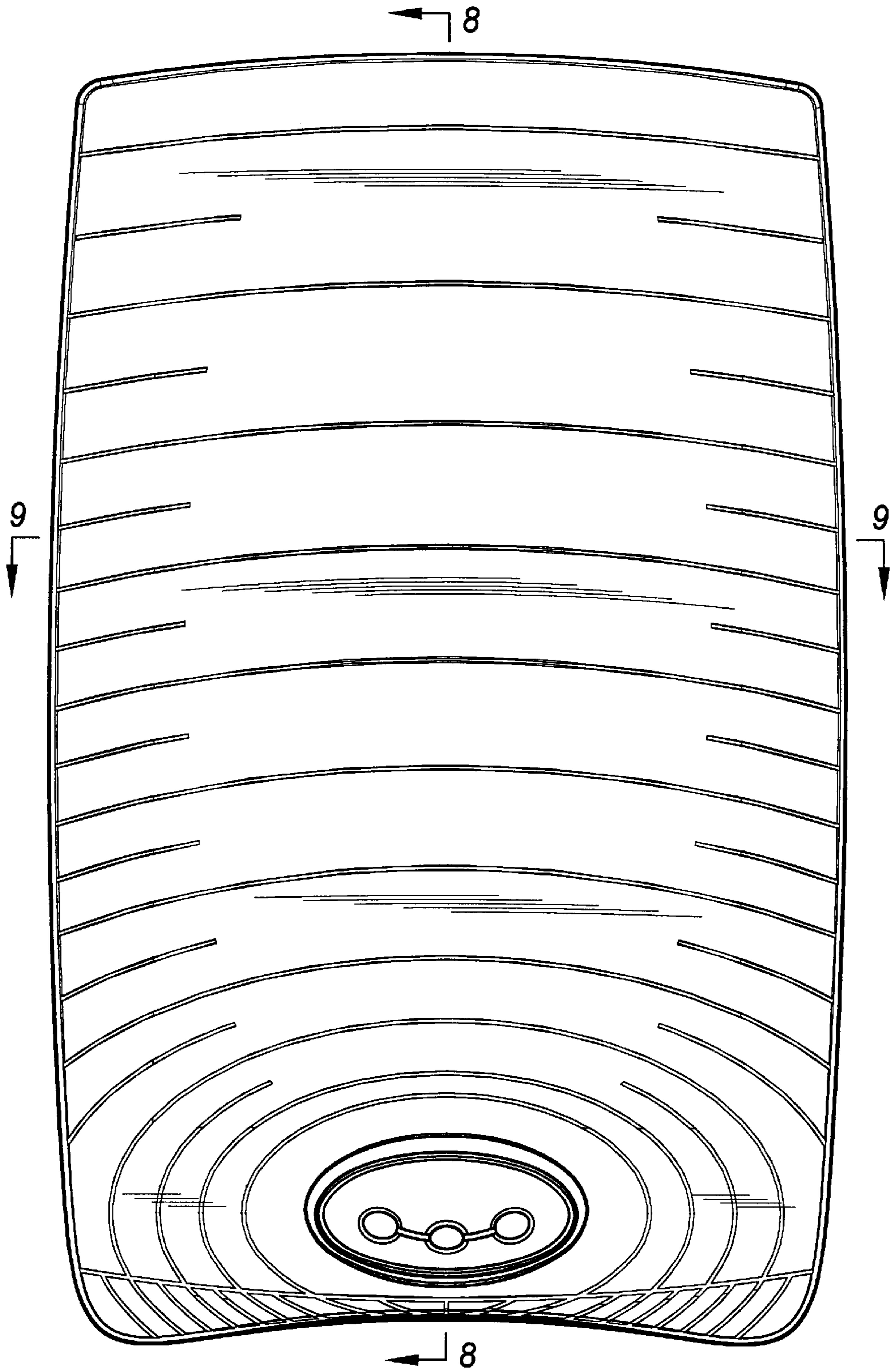


FIG. 2

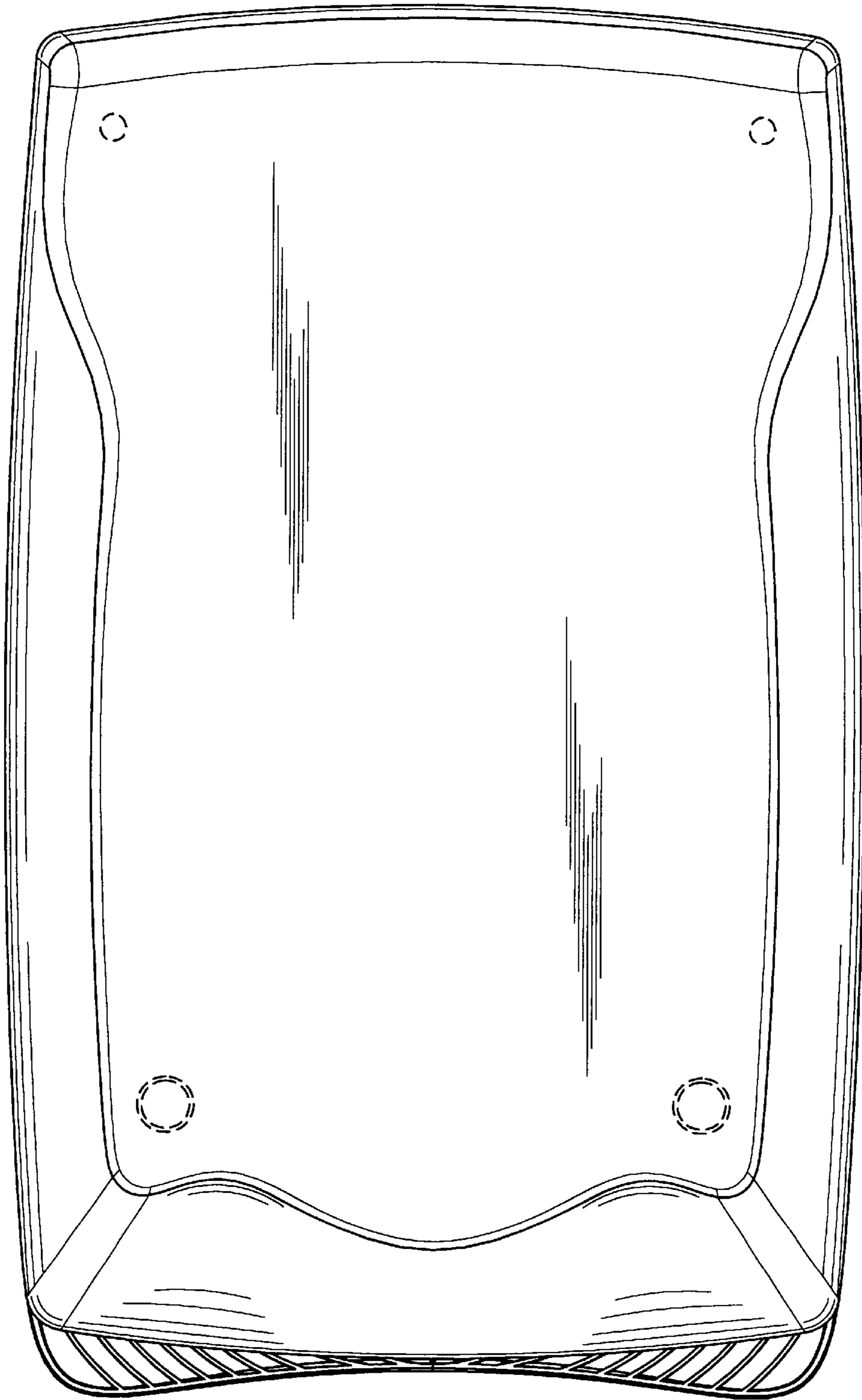


FIG. 3

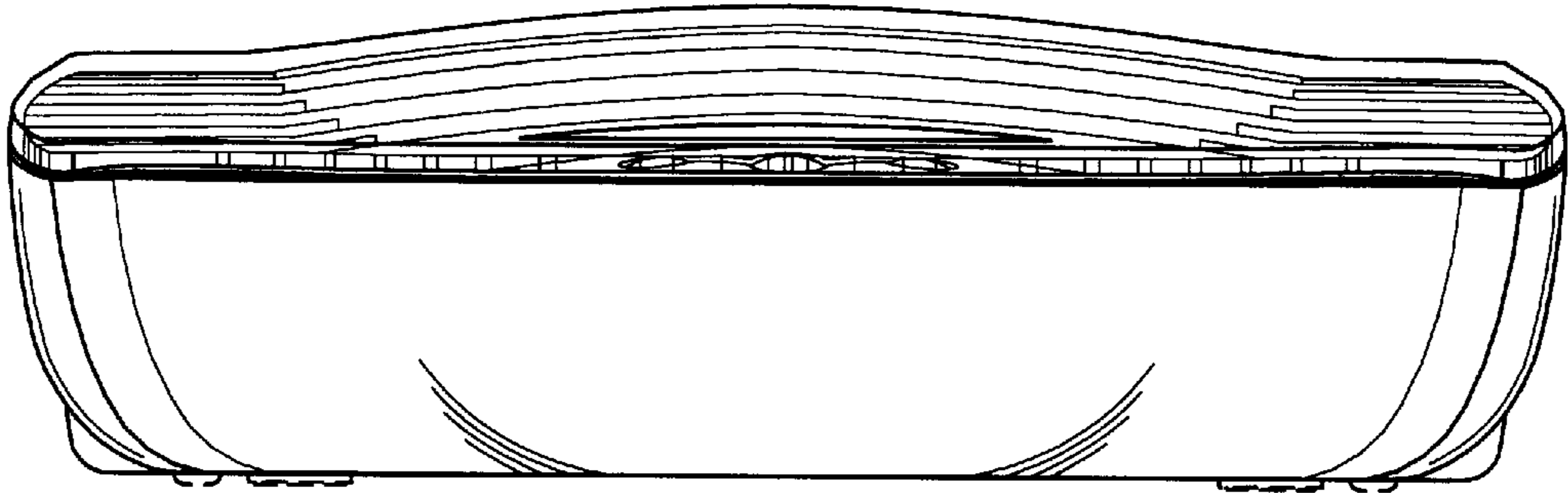


FIG. 4

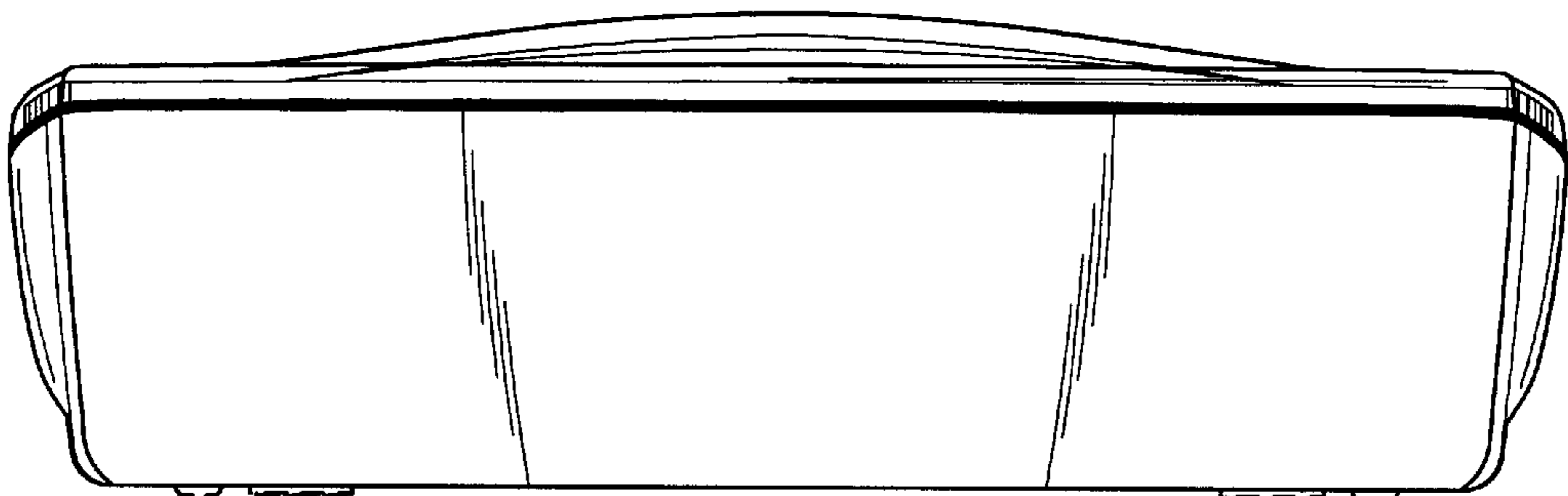


FIG. 5

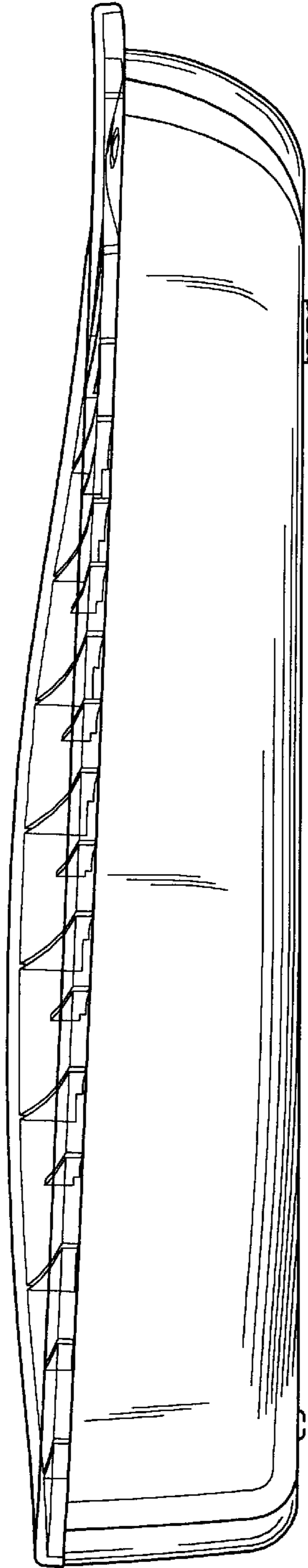


FIG. 6

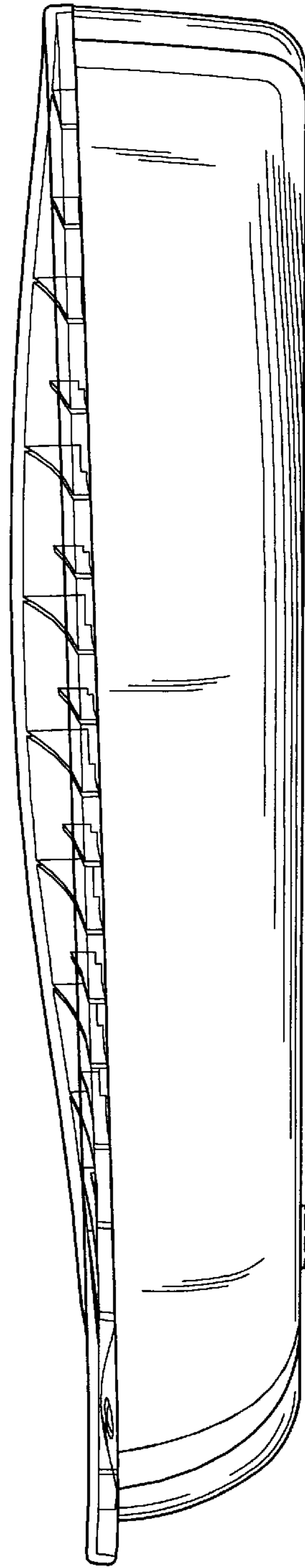


FIG. 7

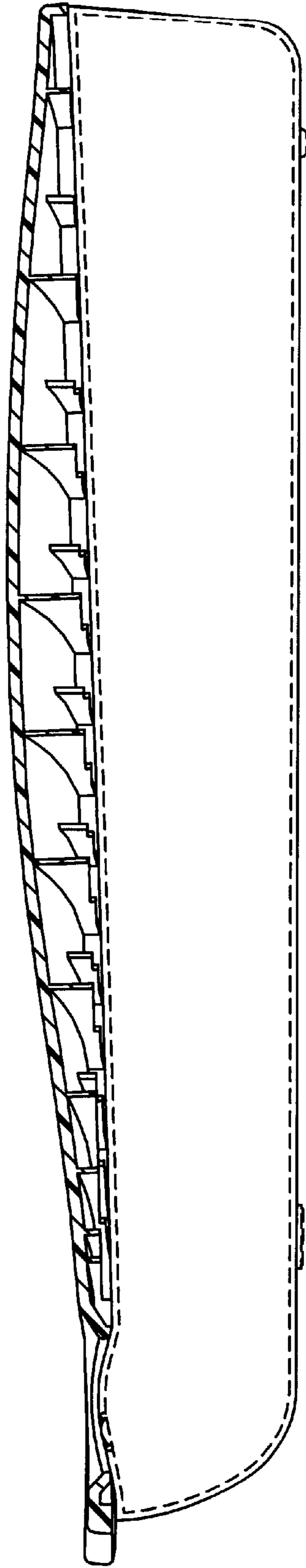


FIG. 8

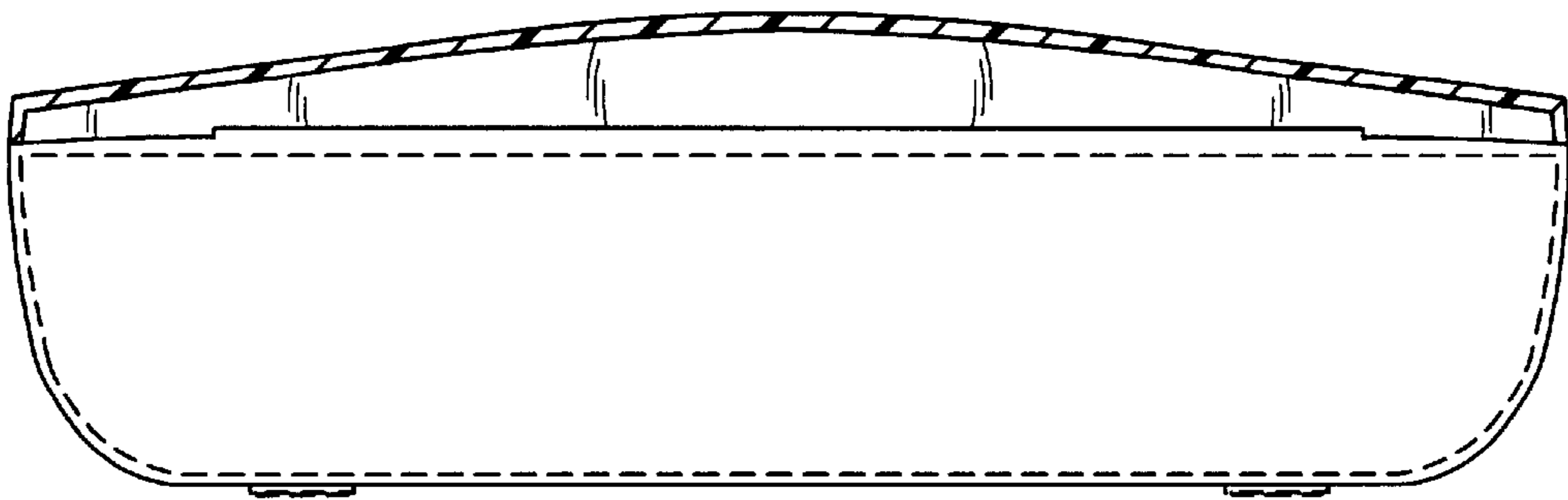


FIG. 9