



US00D447136B1

(12) **United States Design Patent**
Groves et al.

(10) **Patent No.:** **US D447,136 S**

(45) **Date of Patent:** **** Aug. 28, 2001**

(54) **TRANSACTION TERMINAL**

(75) Inventors: **David Henry Groves**, Adjala; **Yiu Kong Wong**, Richmond Hill; **Fraser Hardman**, Mississauga; **Ki Sheung Yuen**, Brampton, all of (CA); **Thornton K. Lothrop**, Worthington, OH (US)

(73) Assignee: **IVI Checkmate Corp.**, Roswell, GA (US)

(**) Term: **14 Years**

(21) Appl. No.: **29/118,583**

(22) Filed: **Feb. 14, 2000**

(30) **Foreign Application Priority Data**

Dec. 15, 1999 (CA) 19999-3039

(51) **LOC (7) Cl.** **14-02**

(52) **U.S. Cl.** **D14/336**

(58) **Field of Search** D14/341, 315,
D14/462, 336, 337, 371, 356, 140, 126-129;
D18/4.6; 345/104, 156, 173, 901, 133,
168

(56) **References Cited**

U.S. PATENT DOCUMENTS

- D. 334,567 * 4/1993 Someya et al. D14/462
- D. 362,239 * 9/1995 Je D18/4.6
- D. 373,576 * 9/1996 Liggett D14/341
- D. 400,869 * 11/1998 Mannix et al. D14/315

* cited by examiner

Primary Examiner—Freda Nunn

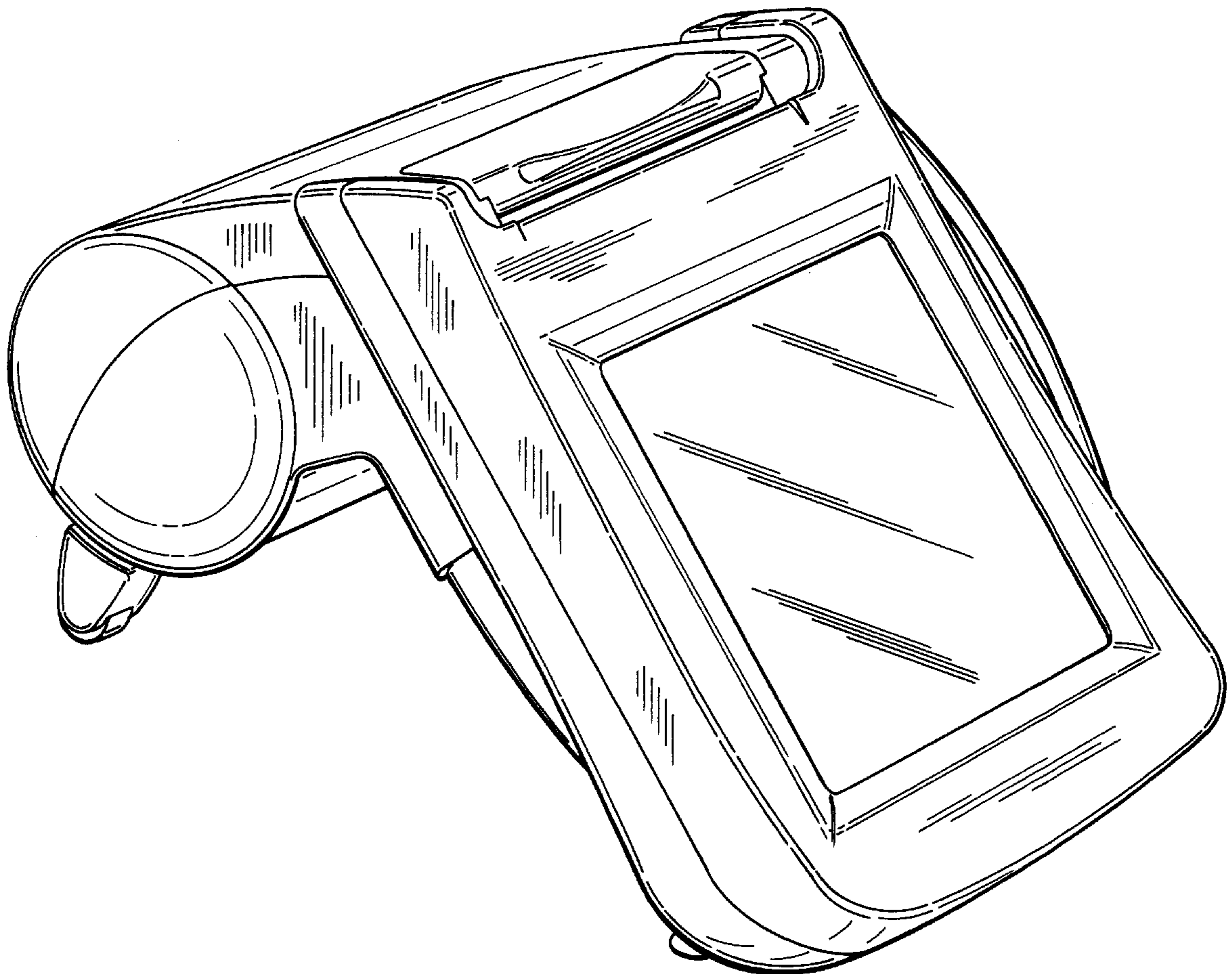
(57) **CLAIM**

The ornamental design for a transaction terminal, as shown.

DESCRIPTION

FIG. 1 is a perspective view of the transaction terminal;
 FIG. 2 is a front view of the transaction terminal;
 FIG. 3 is a rear view of the transaction terminal;
 FIG. 4 is a left side elevational view of the transaction terminal.
 FIG. 5 is a right side elevational view of the transaction terminal.
 FIG. 6 is a top view of the transaction terminal; and,
 FIG. 7 is a bottom view of the transaction terminal.

1 Claim, 4 Drawing Sheets



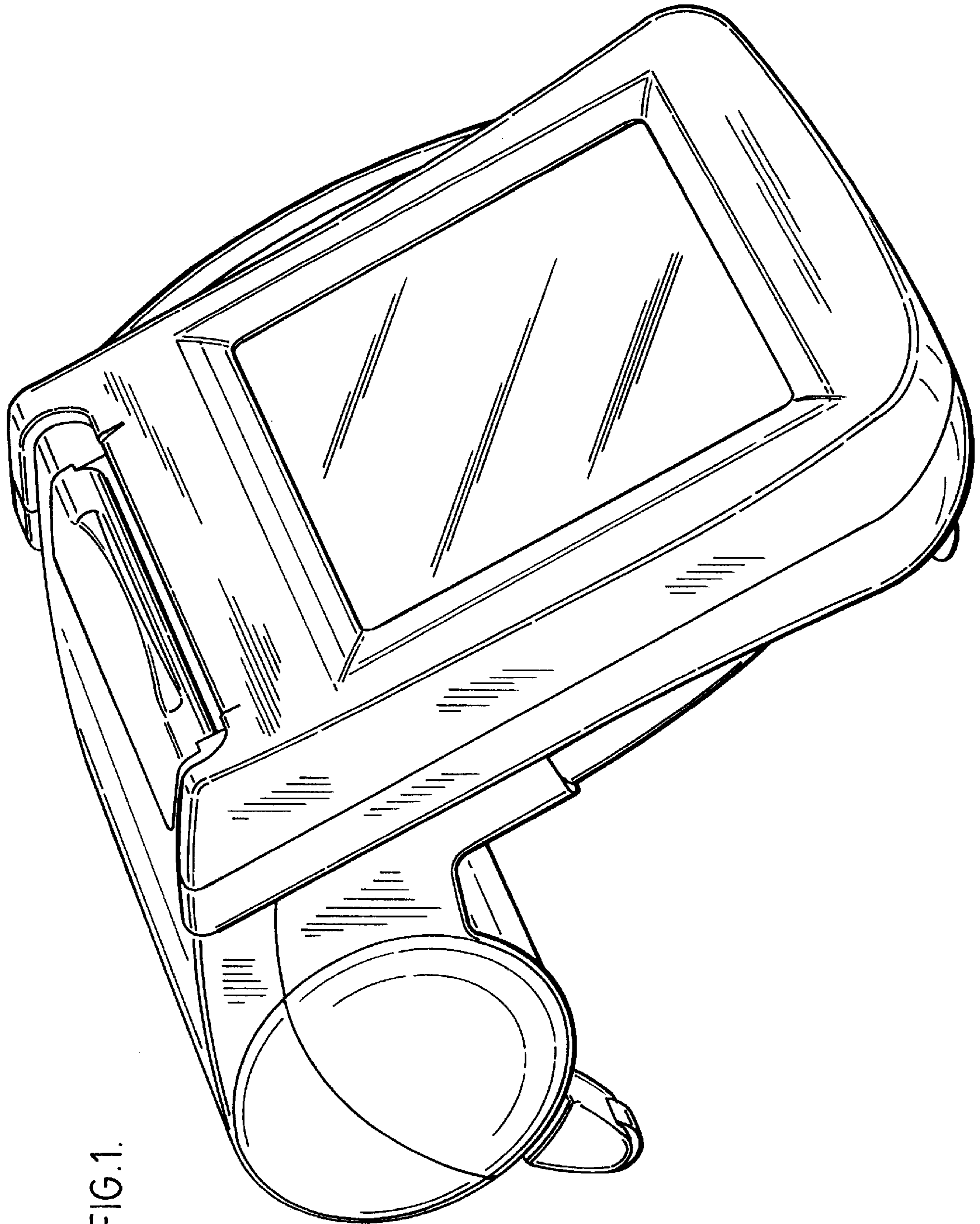


FIG.1.

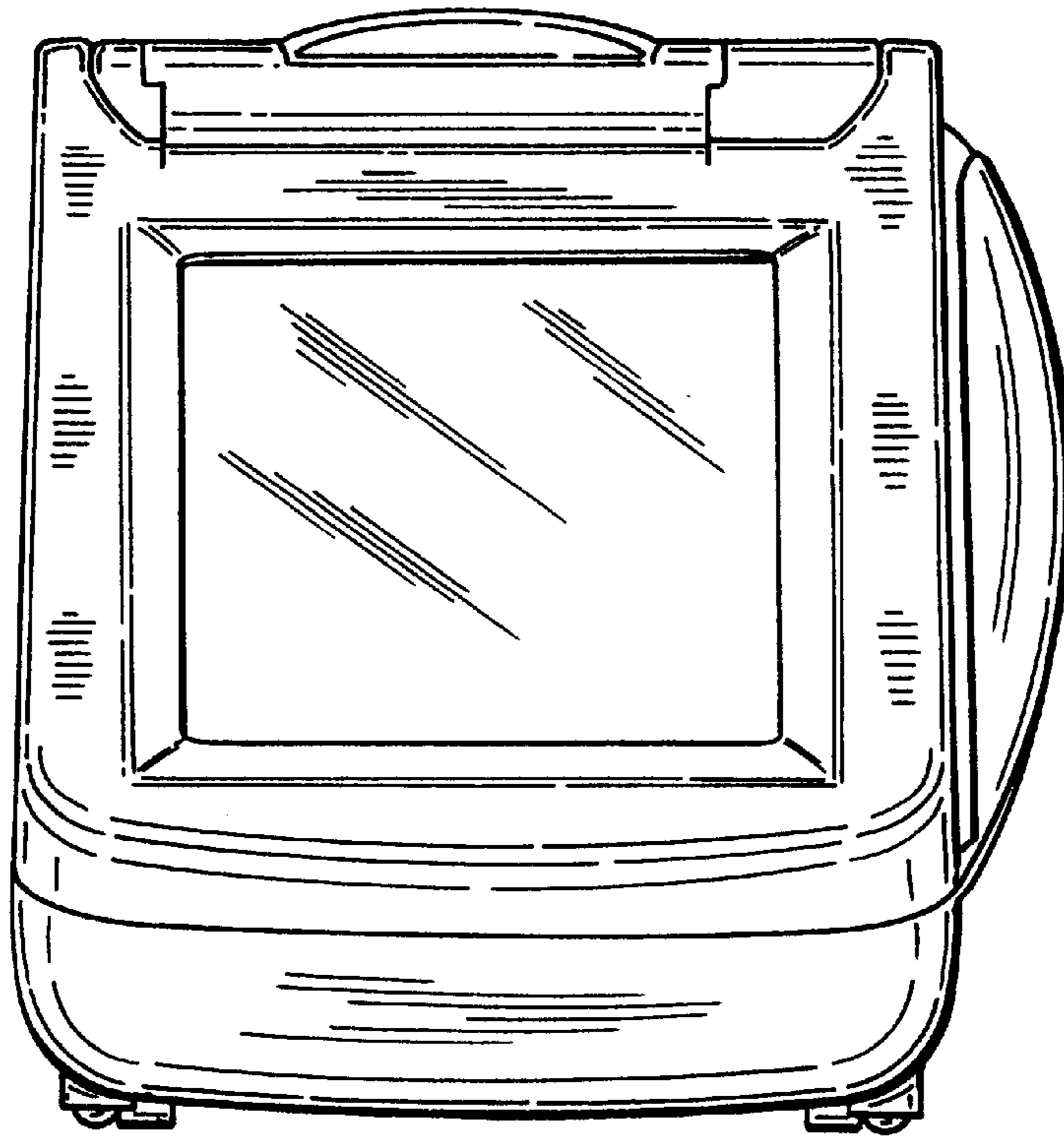


FIG. 2.

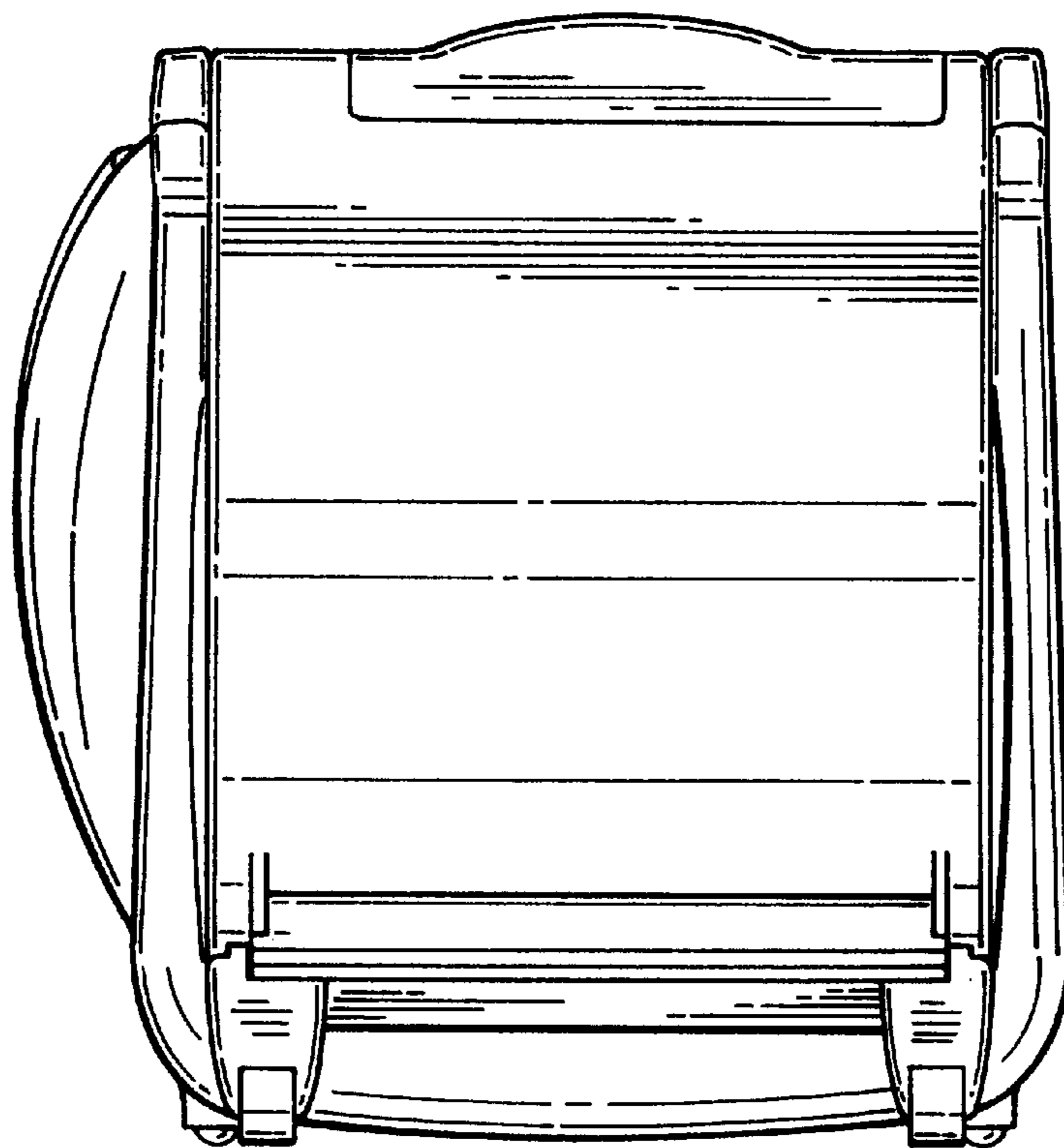


FIG. 3.

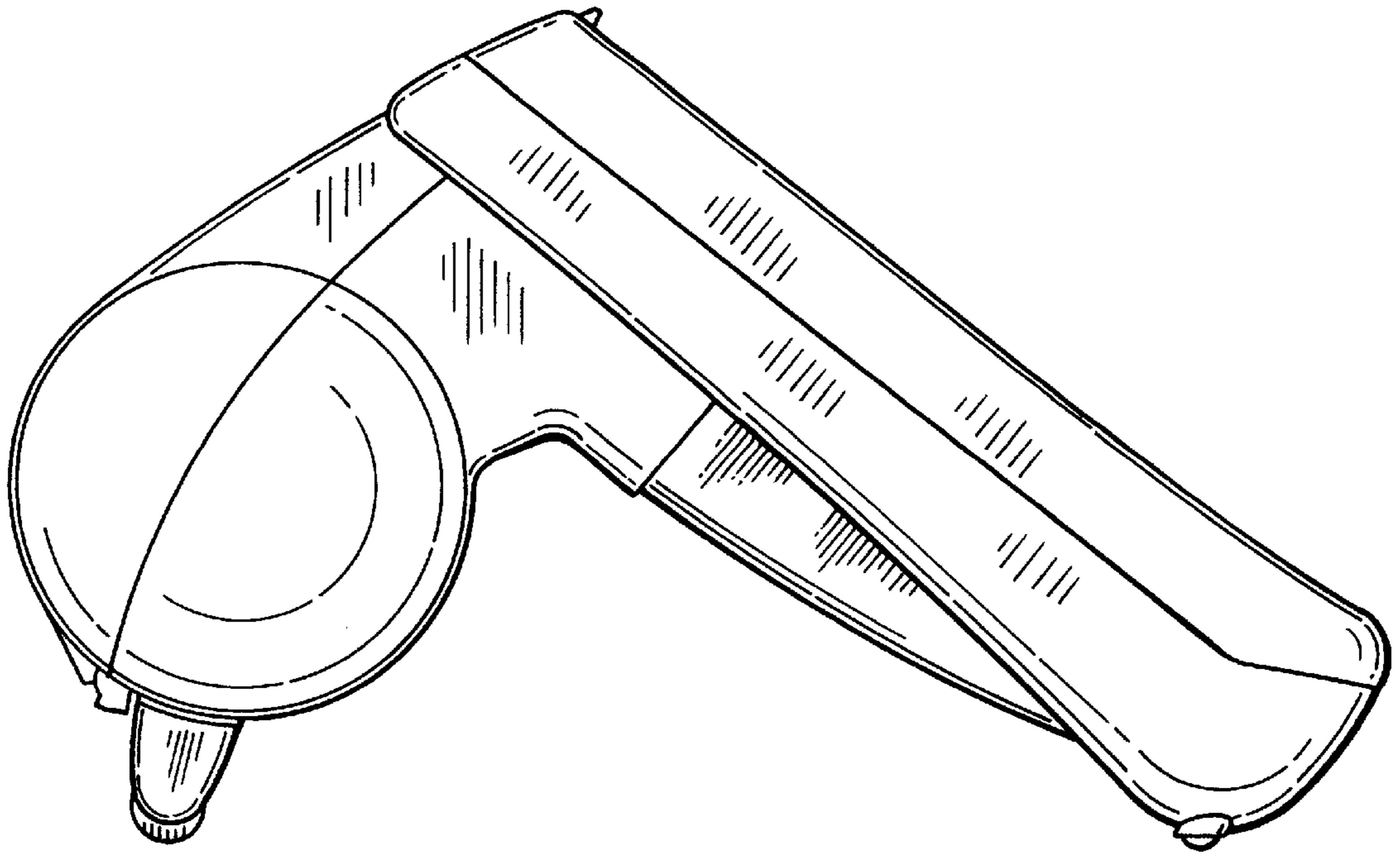


FIG. 4.

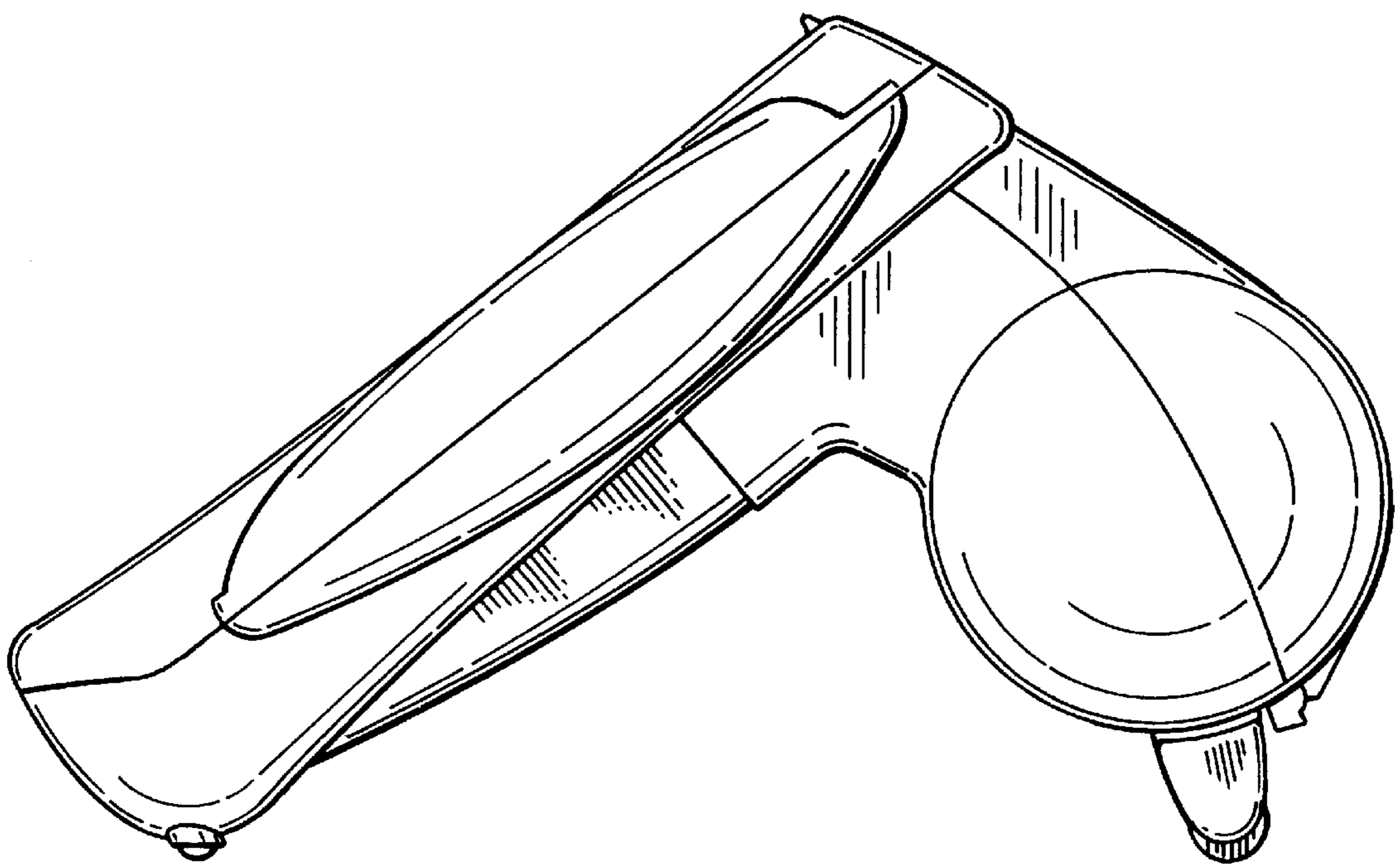


FIG. 5.

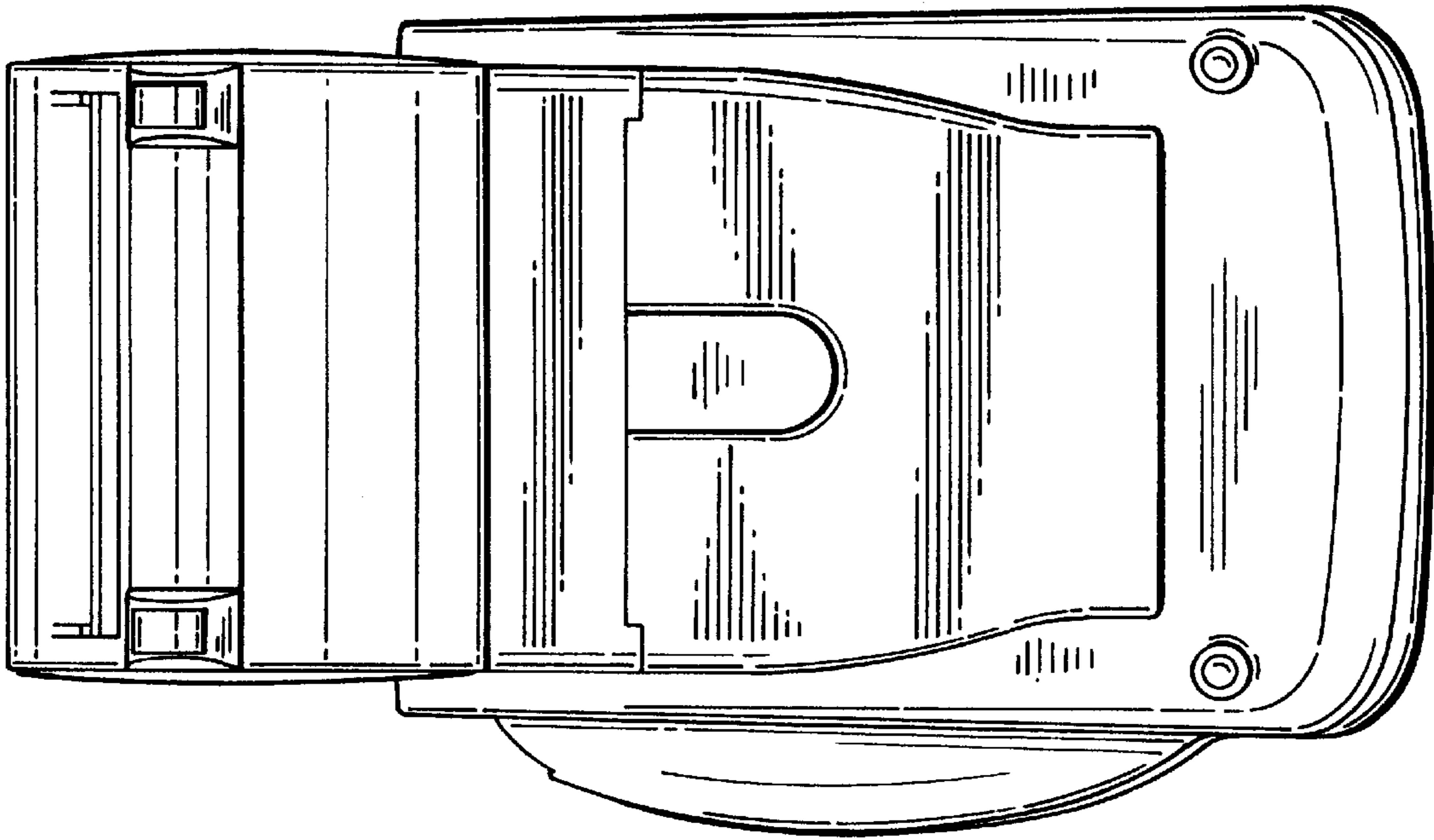


FIG. 7.

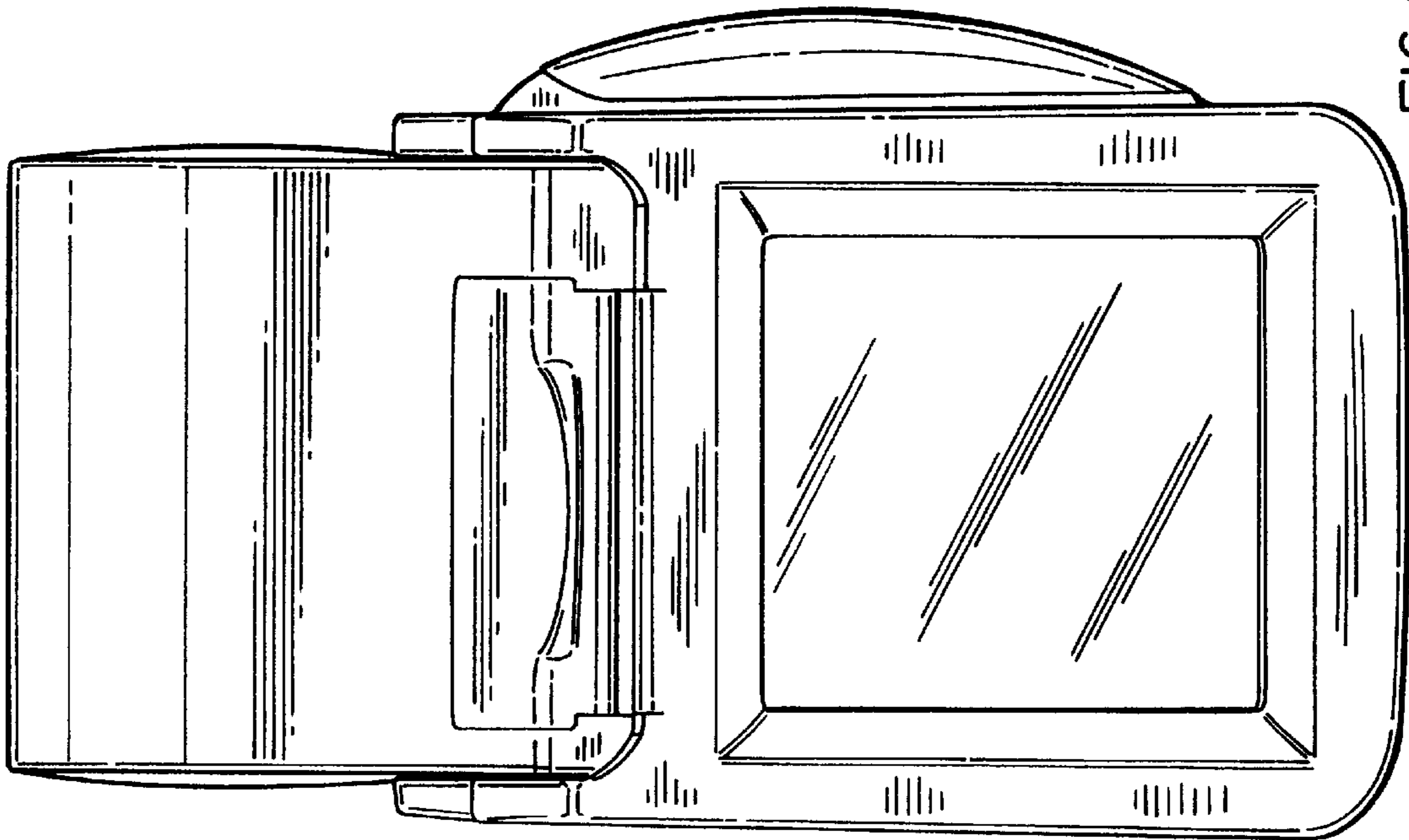


FIG. 6.