



US00D447123B1

(12) **United States Design Patent**
Winkler

(10) **Patent No.:** **US D447,123 S**

(45) **Date of Patent:** **** Aug. 28, 2001**

(54) **FACEPLATE WITH ROCKER SWITCH**

(75) **Inventor:** **Gerald W. Winkler, Herzogenaurach (DE)**

(73) **Assignee:** **Ellenberger & Poensgen GmbH, Altdorf (DE)**

(**) **Term:** **14 Years**

(21) **Appl. No.:** **29/123,538**

(22) **Filed:** **May 22, 2000**

(30) **Foreign Application Priority Data**

Nov. 20, 1999 (DE) 4 99 10 768

(51) **LOC (7) Cl.** **13-03**

(52) **U.S. Cl.** **D13/158**

(58) **Field of Search** D13/158, 160, D13/169, 171, 173, 174; 200/237, 271, 294, 553, 537; D8/353

(56) **References Cited**

U.S. PATENT DOCUMENTS

D. 256,011 * 7/1980 Matsuda D13/171
D. 323,613 * 2/1992 Cummins et al. D8/353

D. 331,743 * 12/1992 Fujiyoshi D13/169
D. 408,792 * 4/1999 Hwang D13/171
D. 416,871 * 11/1999 Todd D13/169
3,706,869 * 12/1972 Sorenson 200/294 X

* cited by examiner

Primary Examiner—Brian N. Vinson

(74) *Attorney, Agent, or Firm*—Venable; Gabor J. Kelemen

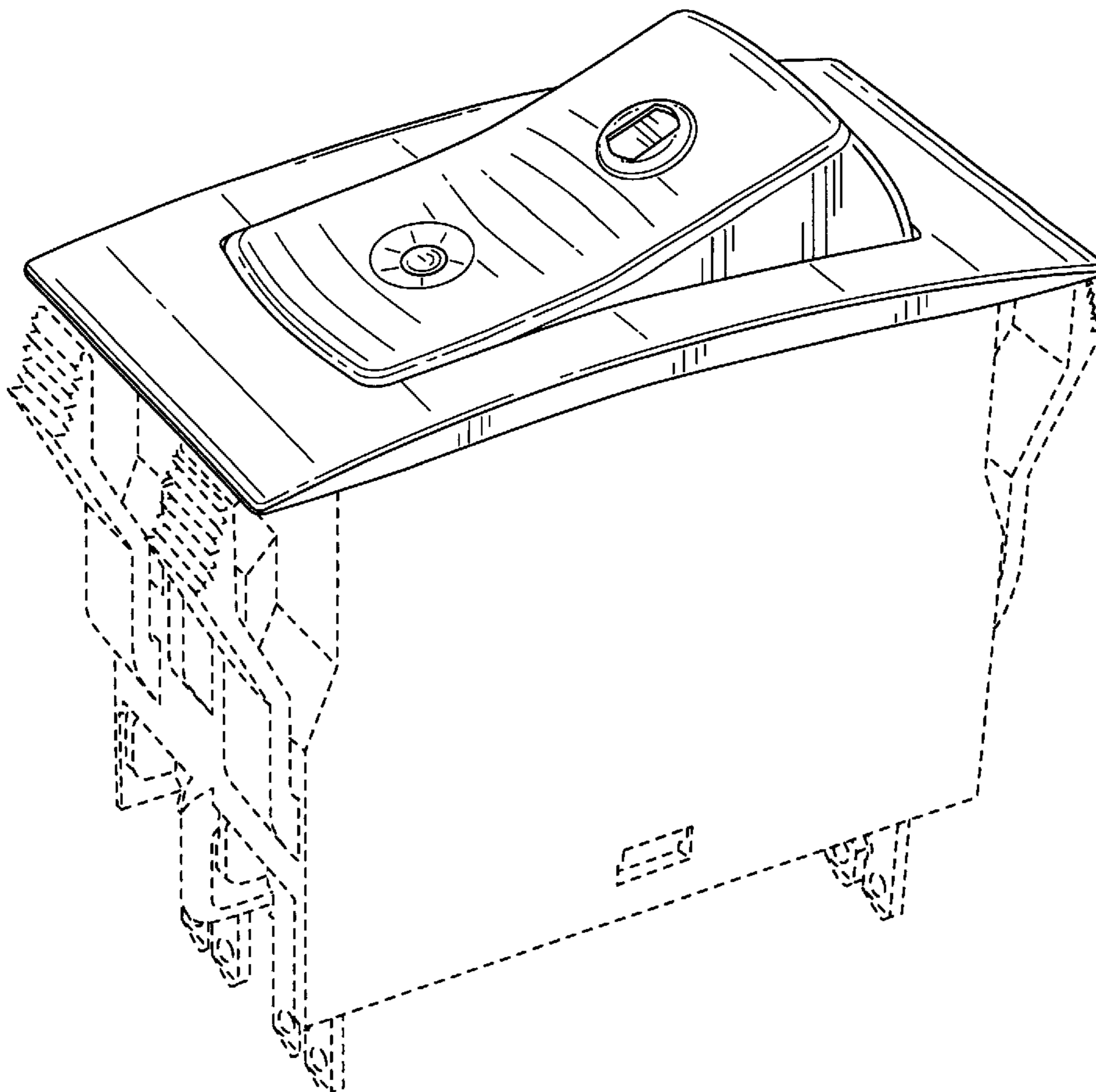
(57) **CLAIM**

The ornamental design for a faceplate with rocker switch, as shown and described.

DESCRIPTION

FIG. 1 is a perspective view of my new design.
FIG. 2 is a front elevational view thereof.
FIG. 3 is a rear elevational view thereof.
FIG. 4 is a side elevational view thereof, which is identical when viewed from either side; and,
FIG. 5 is a top plan view thereof.
The broken-line disclosure of the bottom portion of the switch in FIG. 1 is for illustrative purposes only and forms no part of the claimed design, and the bottom of the faceplate is unornamented.

1 Claim, 2 Drawing Sheets



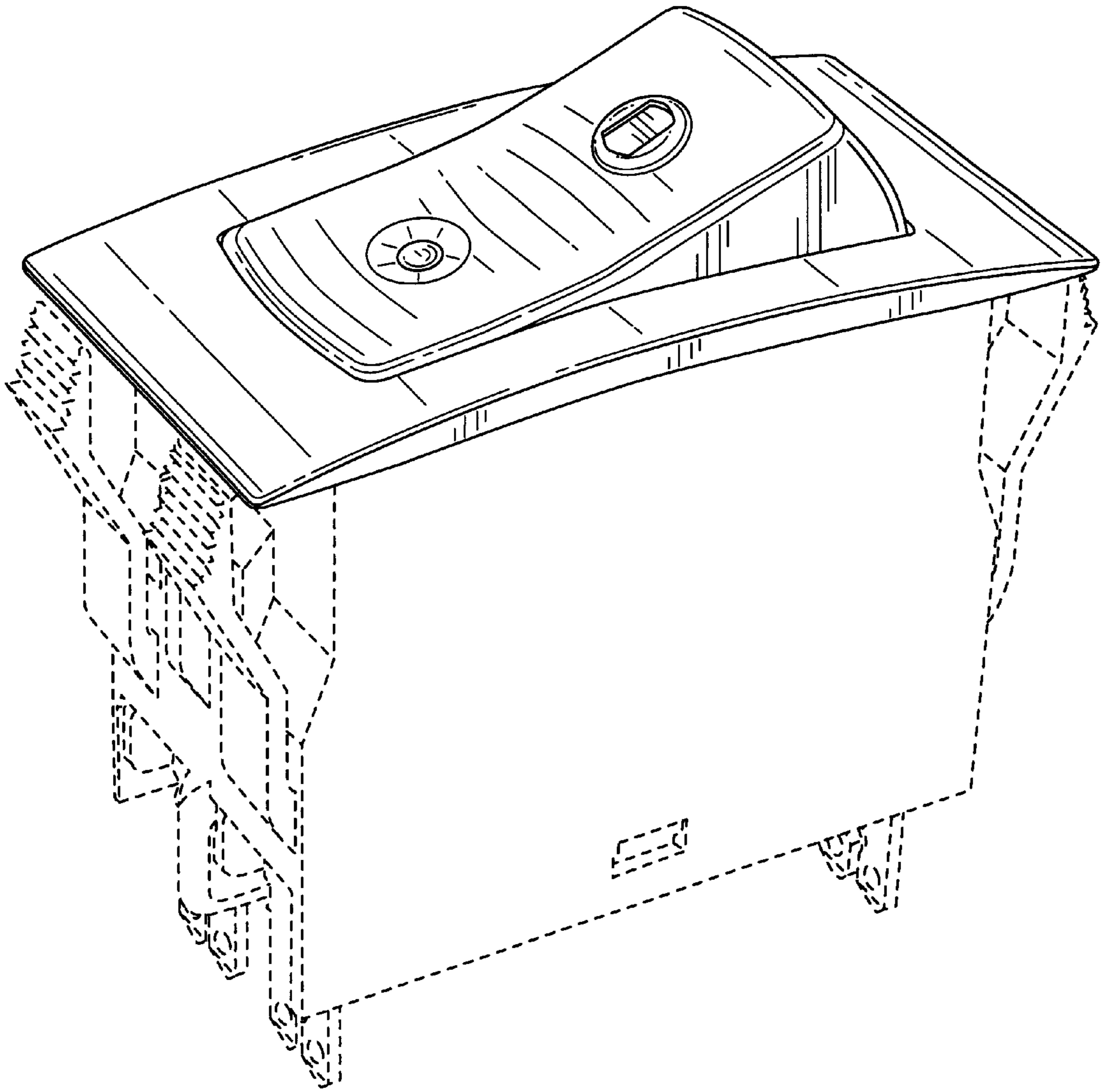


FIG. 1

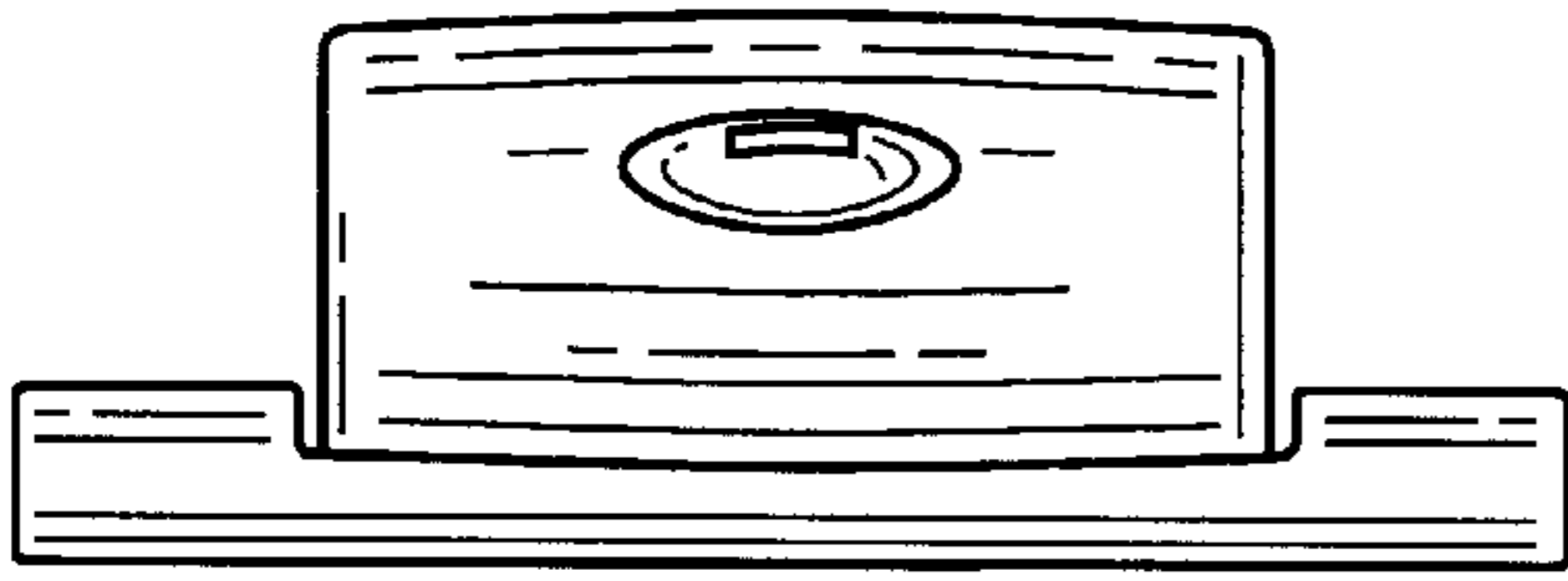


FIG. 2

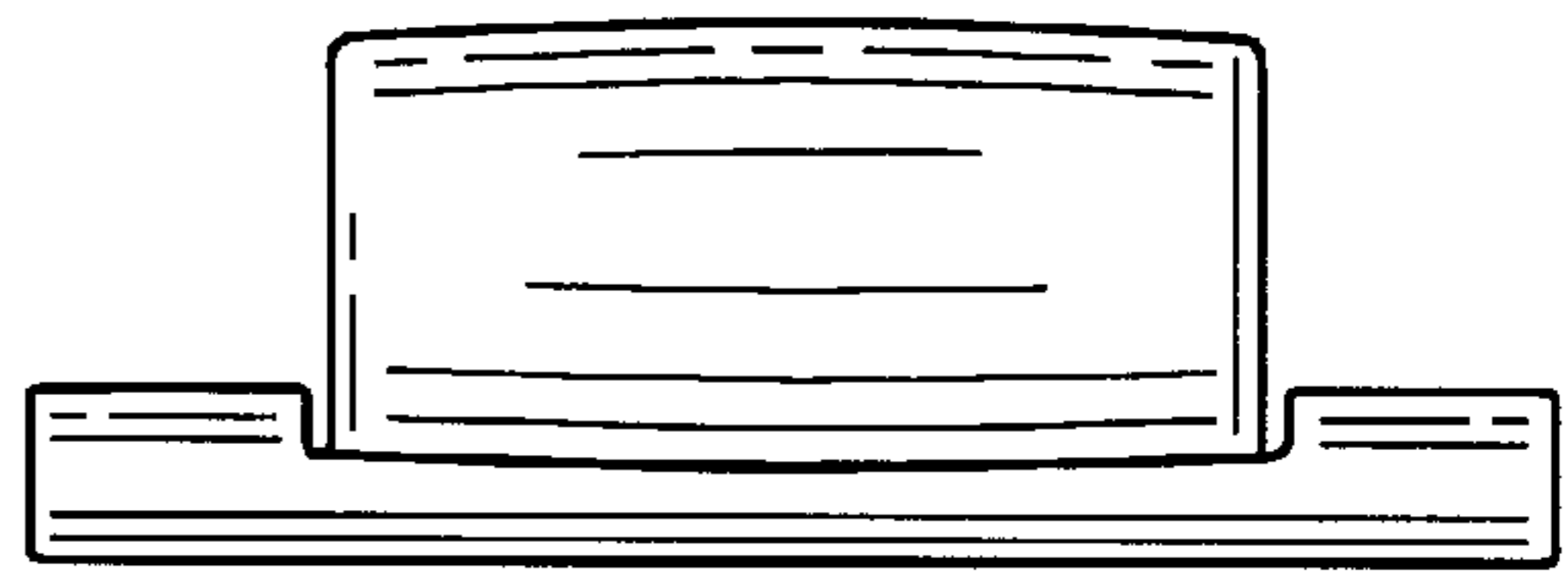


FIG. 3

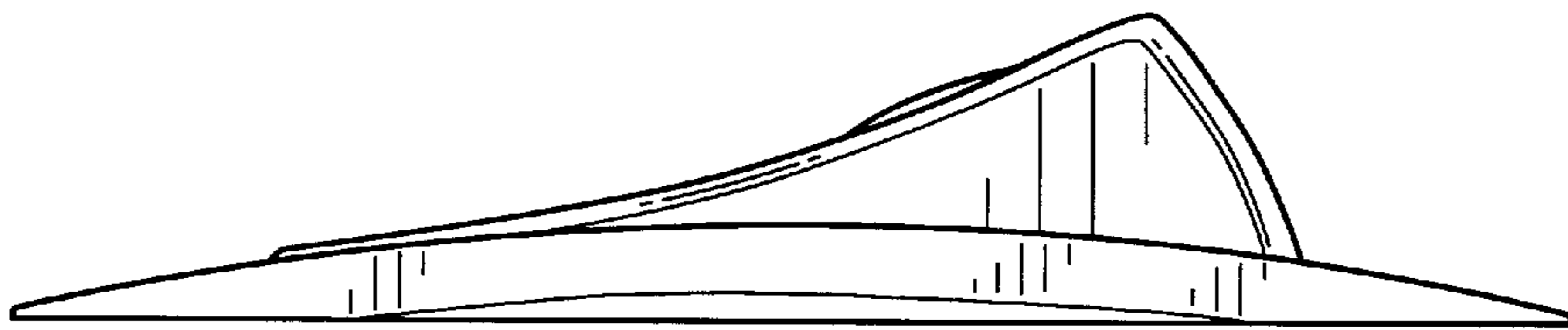


FIG. 4

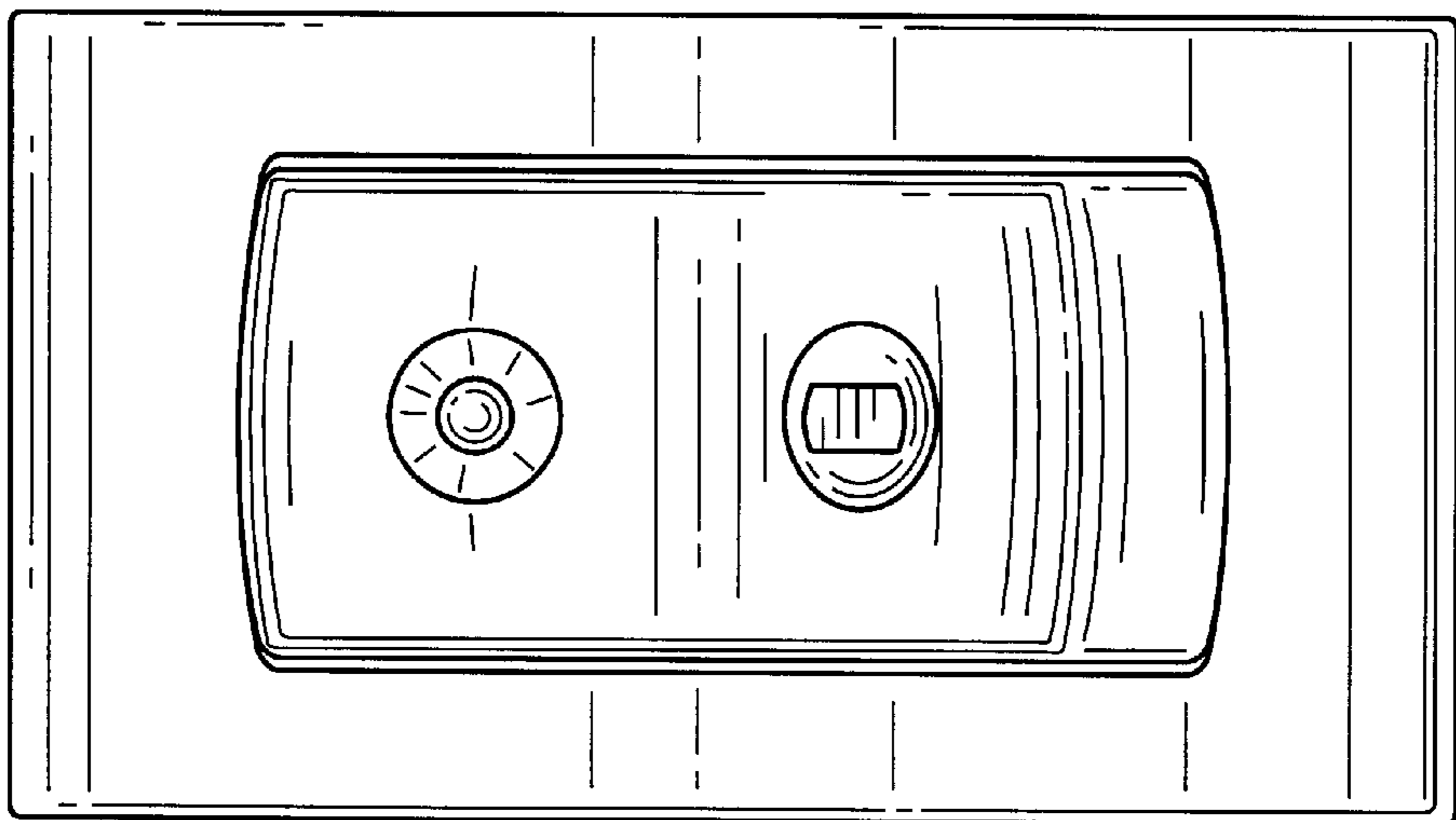


FIG. 5