



US00D447121B1

(12) **United States Design Patent**  
**Yim**

(10) **Patent No.:** **US D447,121 S**

(45) **Date of Patent:** **\*\* Aug. 28, 2001**

- (54) **MOISTURE PROOF END CAP**
- (75) Inventor: **Sang I. Yim**, Anaheim, CA (US)
- (73) Assignee: **Transworld Aquatic Enterprises, Inc.**,  
Inglewood, CA (US)
- (\*\*) Term: **14 Years**
- (21) Appl. No.: **29/131,837**
- (22) Filed: **Oct. 26, 2000**
- (51) **LOC (7) Cl.** ..... **13-03**
- (52) **U.S. Cl.** ..... **D13/147**
- (58) **Field of Search** ..... D13/146, 147;  
439/89, 141, 230, 278-283, 581, 588, 650,  
652, 682

- 4,704,091 \* 11/1987 Owens et al. .... 439/281
- 4,772,231 \* 9/1988 Hayes ..... 439/283 X
- 4,794,331 \* 12/1988 Schweitzer, Jr. .... 439/279 X
- 4,838,808 \* 6/1989 Fujiura ..... 439/357

\* cited by examiner

*Primary Examiner*—Joel Sincavage

(74) *Attorney, Agent, or Firm*—Norton R. Townsley

(57) **CLAIM**

I claim the ornamental design for the moisture proof end cap, as shown and described.

**DESCRIPTION**

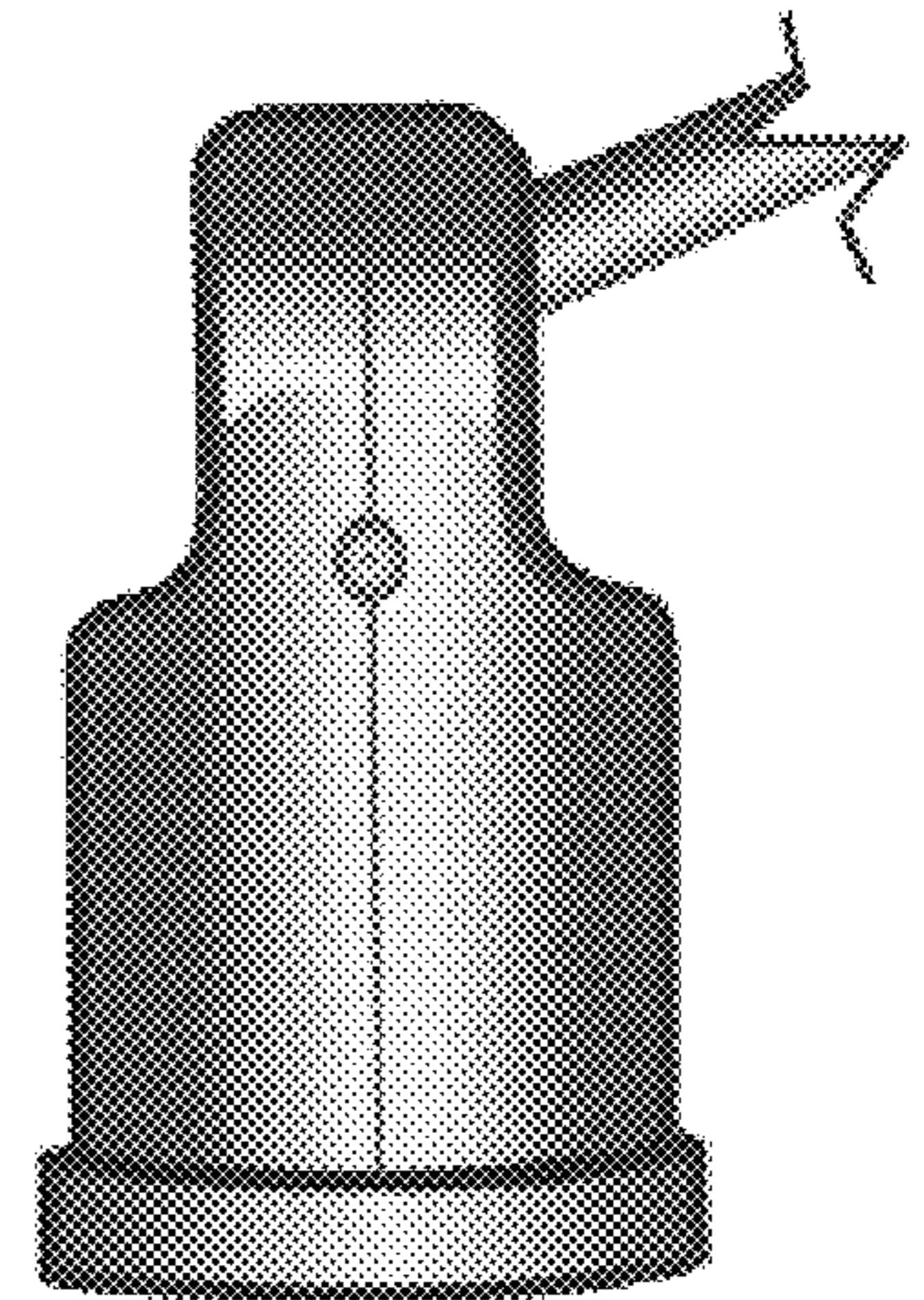
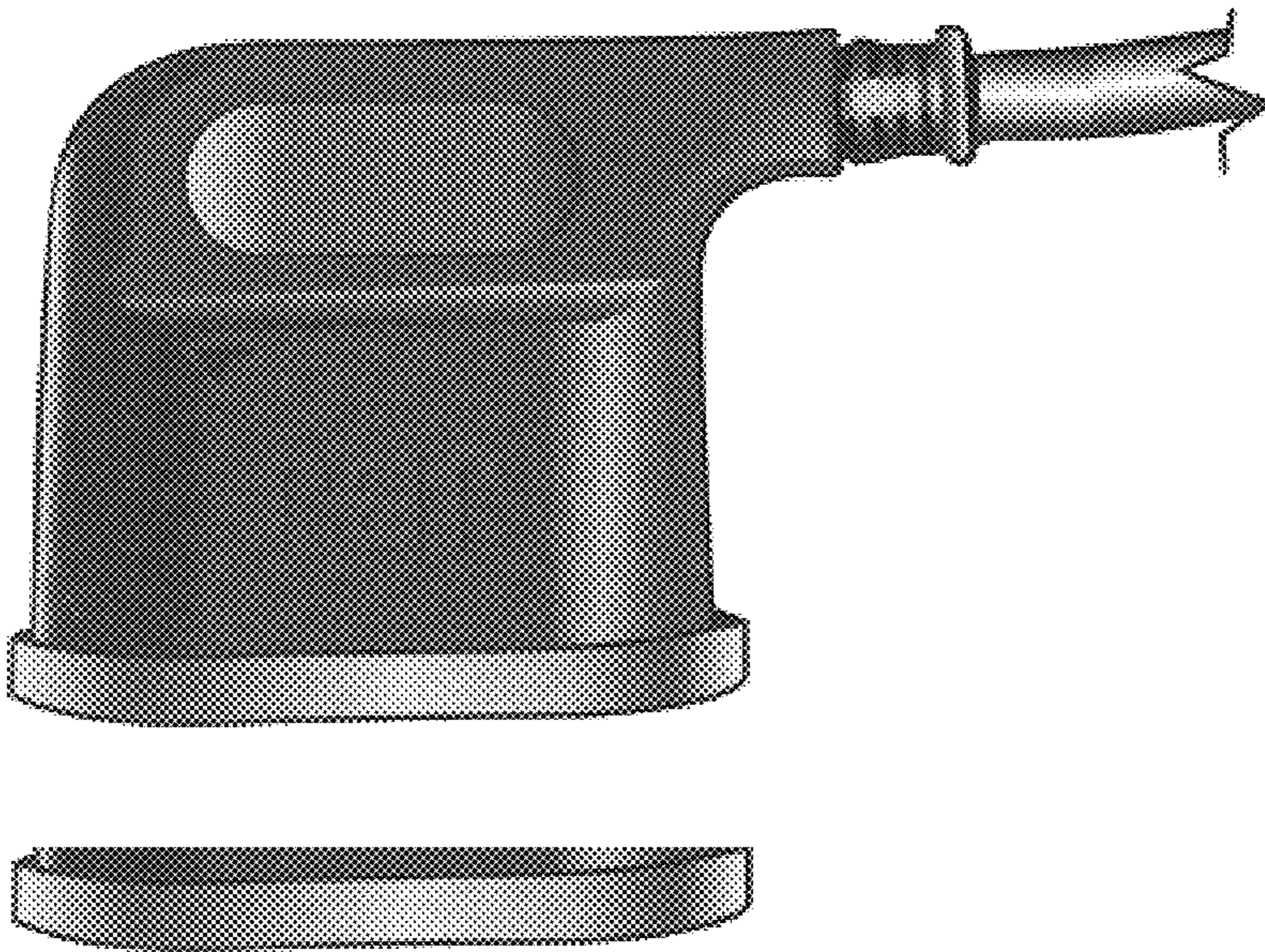
FIG. 1 is a front view of the end cap showing my new design;  
 FIG. 2 is a rear view thereof;  
 FIG. 3 is a side view thereof from one side;  
 FIG. 4 is a side view thereof from the other side;  
 FIG. 5 is a top view thereof;  
 FIG. 6 is a bottom view thereof; and,  
 FIG. 7 is a perspective view thereof, the dotted lines showing associated matter which is not part of my invention.

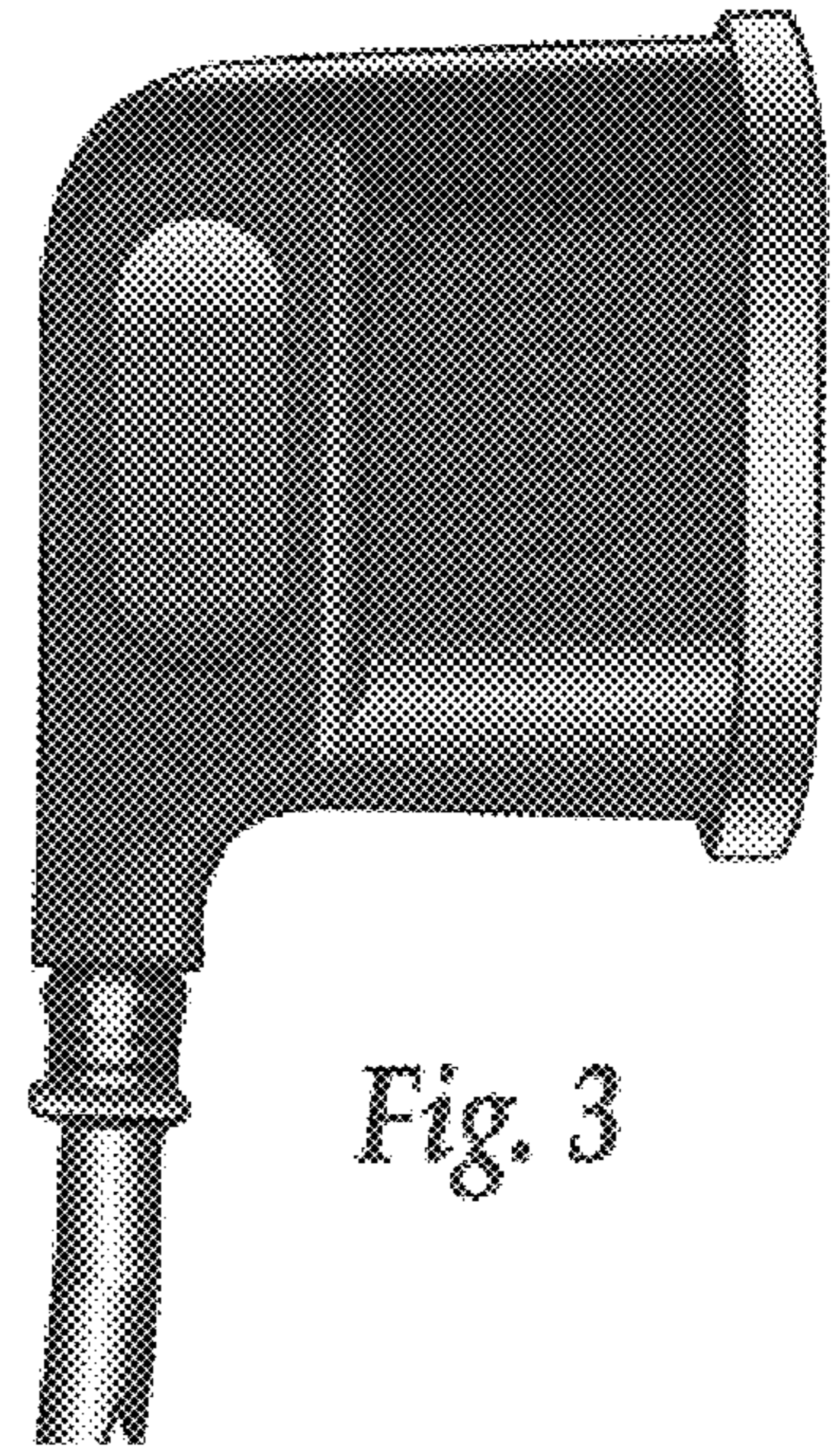
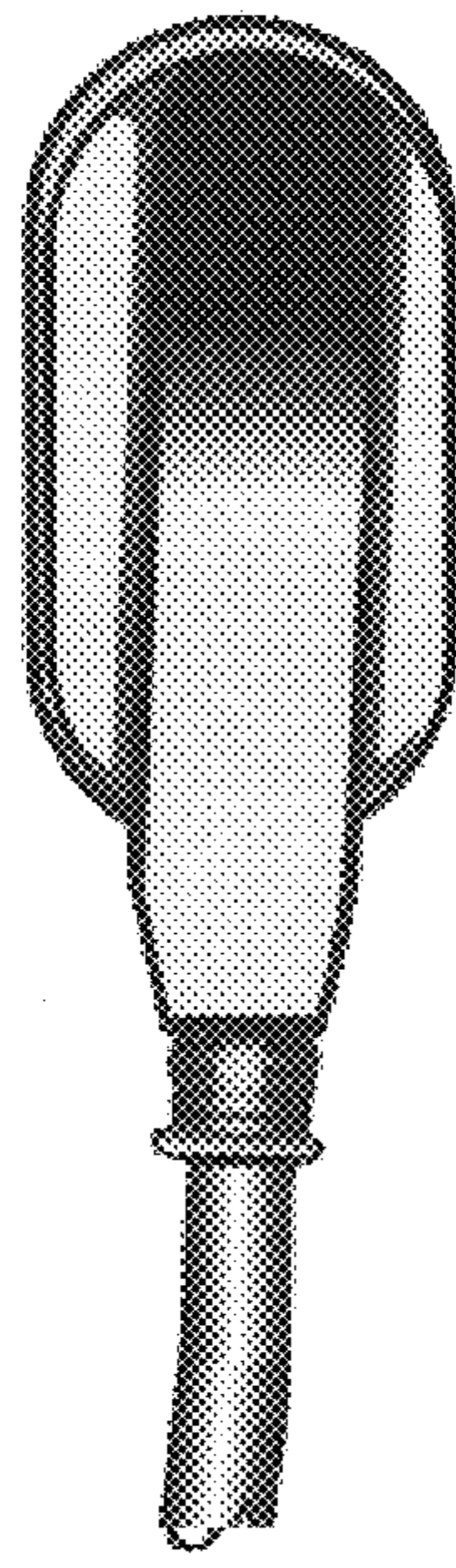
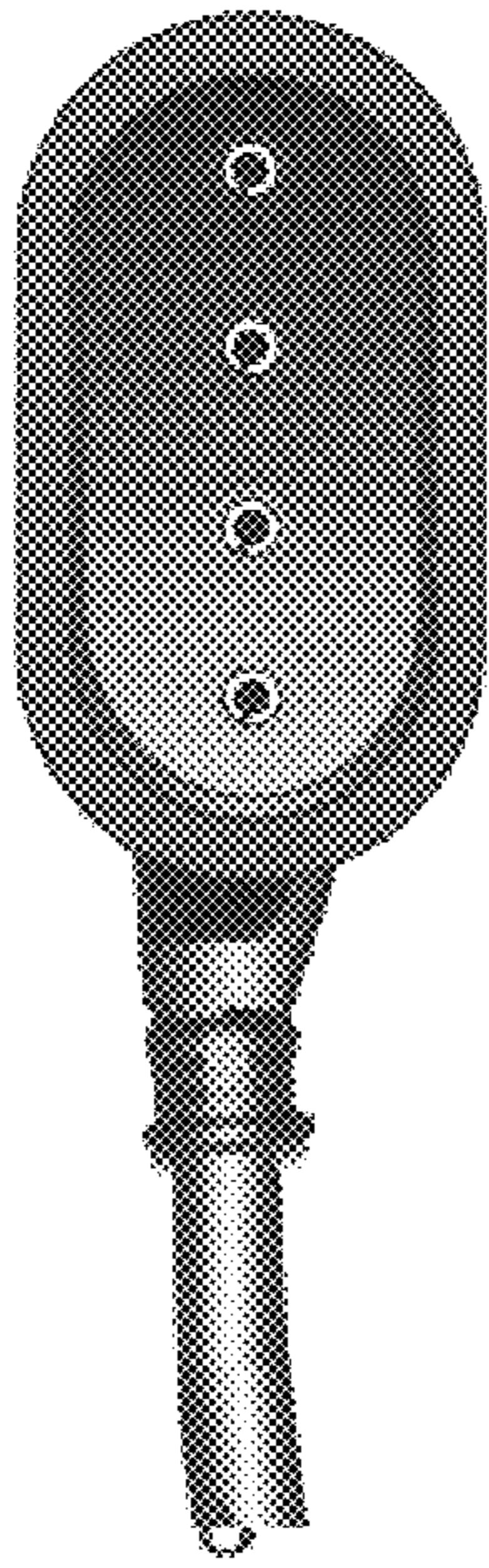
(56) **References Cited**

**U.S. PATENT DOCUMENTS**

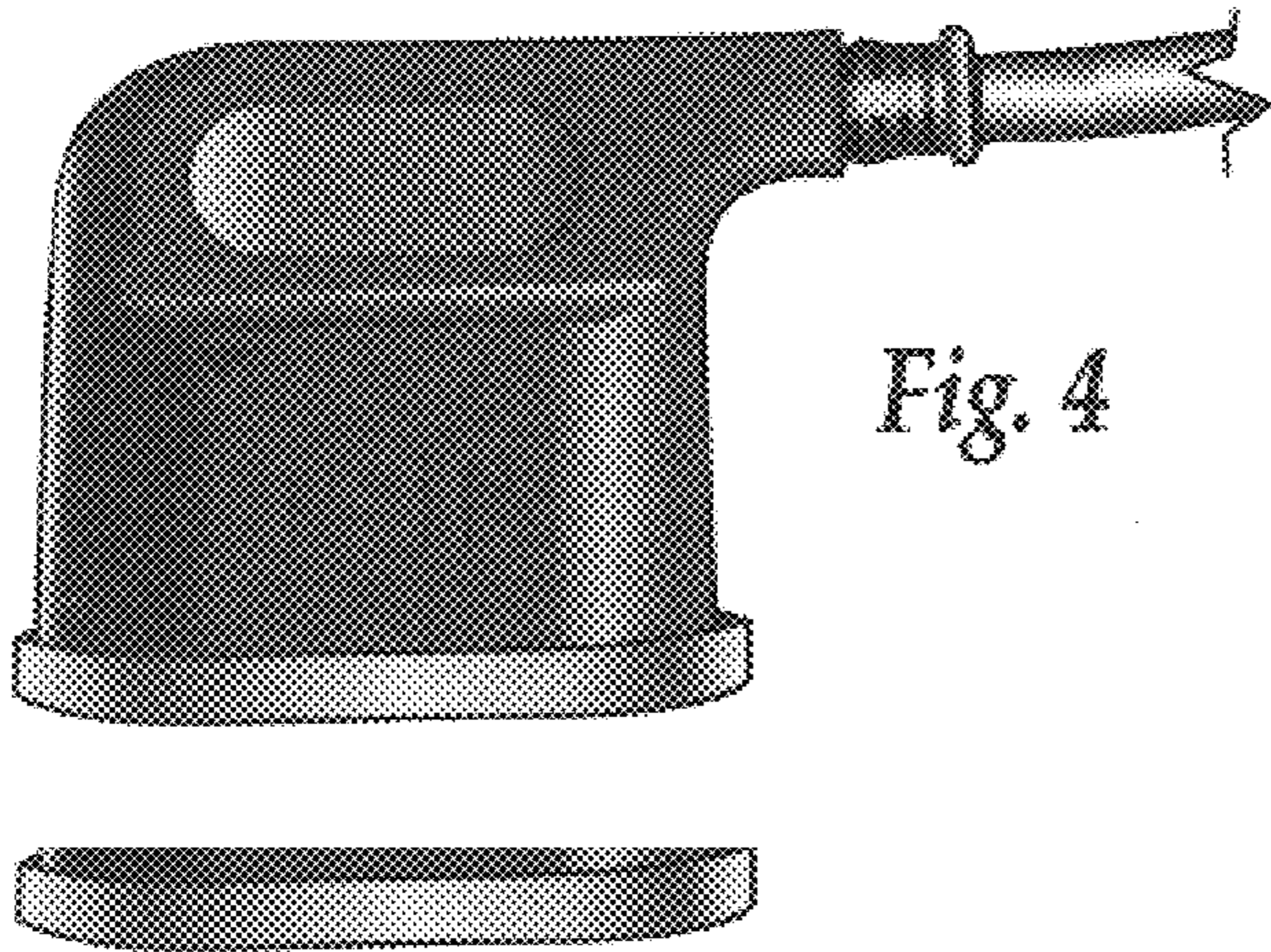
- D. 349,099 \* 7/1994 Robertson, Jr. et al. .... D13/147
- D. 413,104 \* 8/1999 Curtis et al. .... D13/147
- 1,981,460 \* 11/1934 Miller ..... 439/281
- 3,406,370 \* 10/1968 Gaw ..... 439/279

**1 Claim, 1 Drawing Sheet**

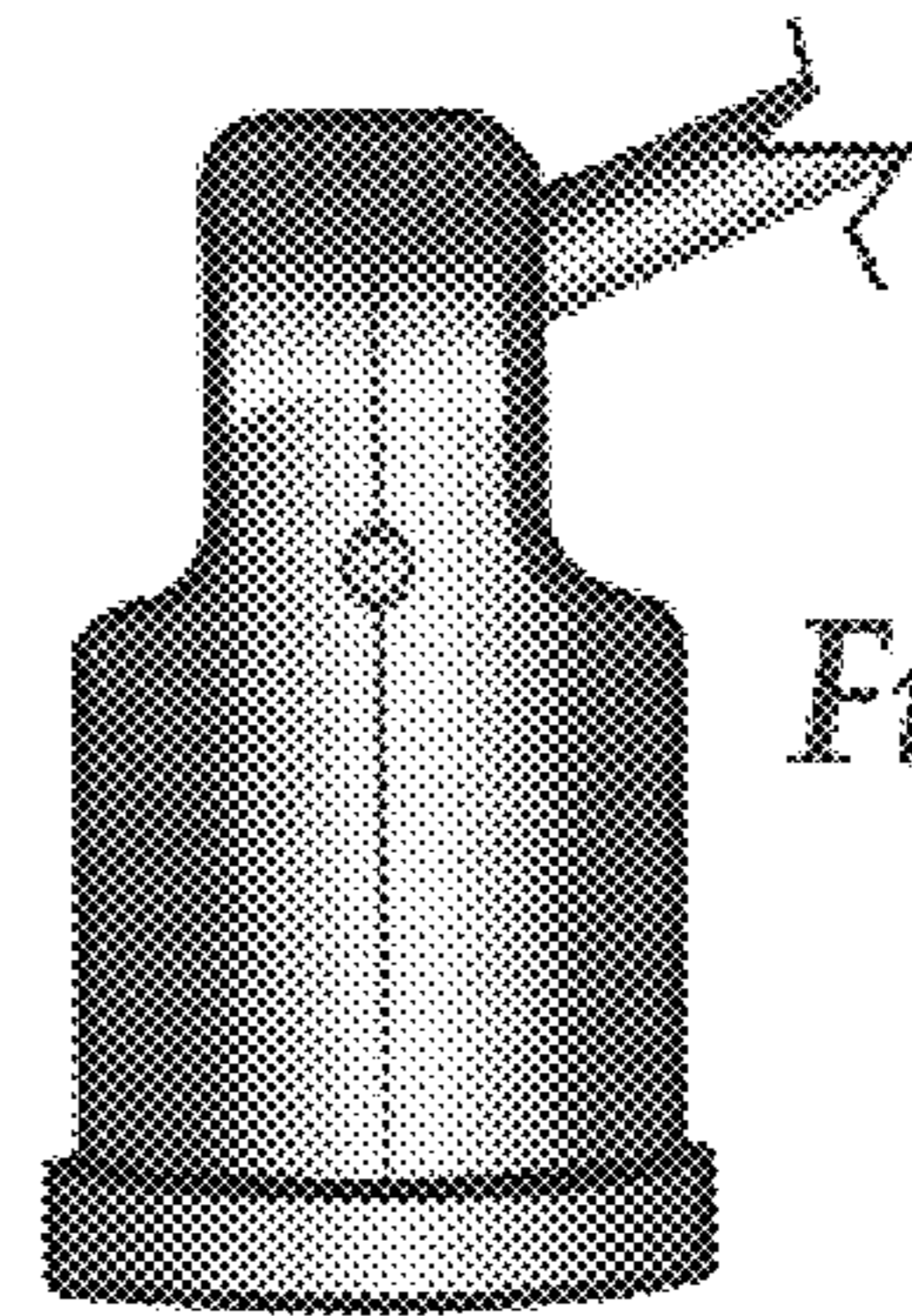




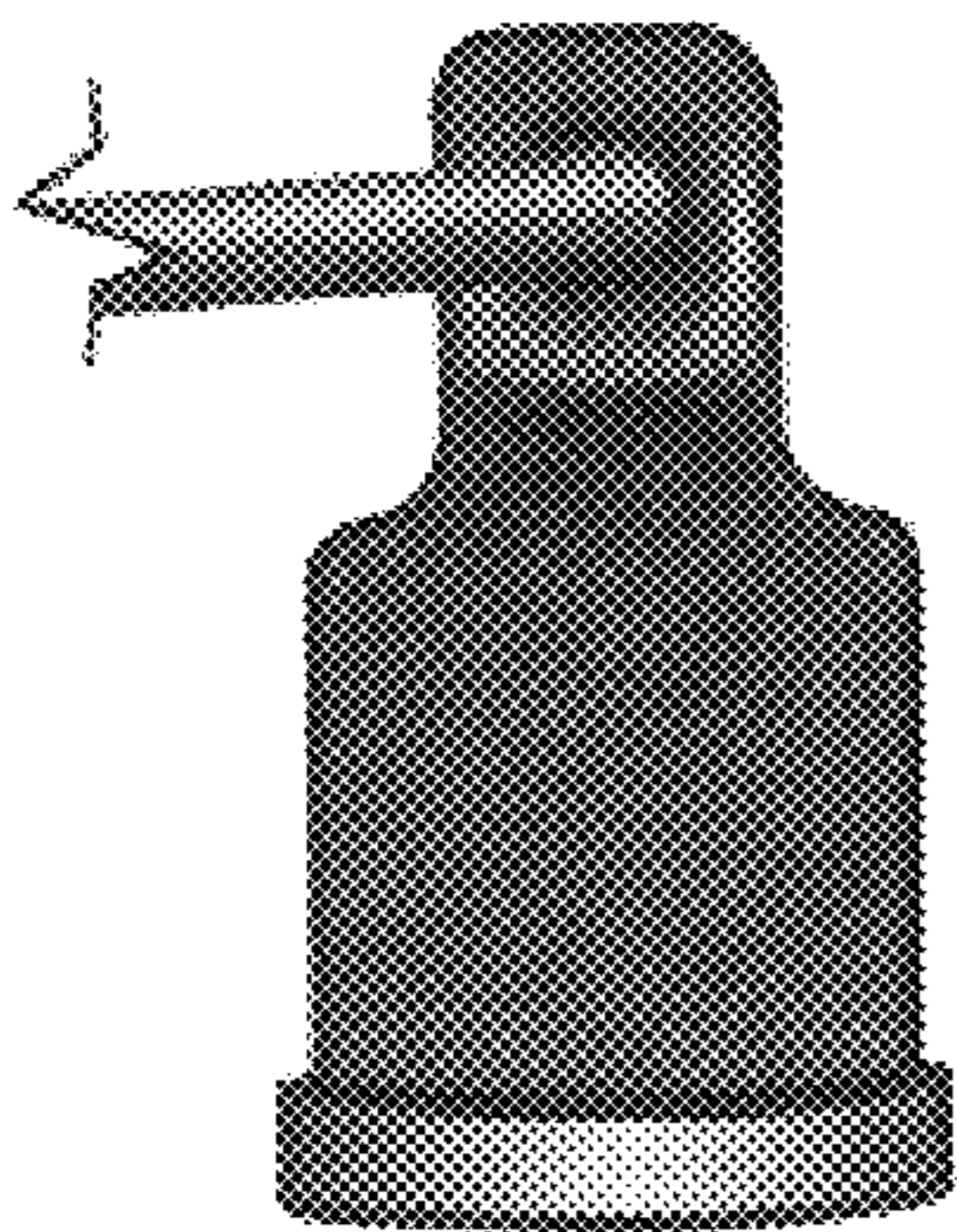
*Fig. 3*



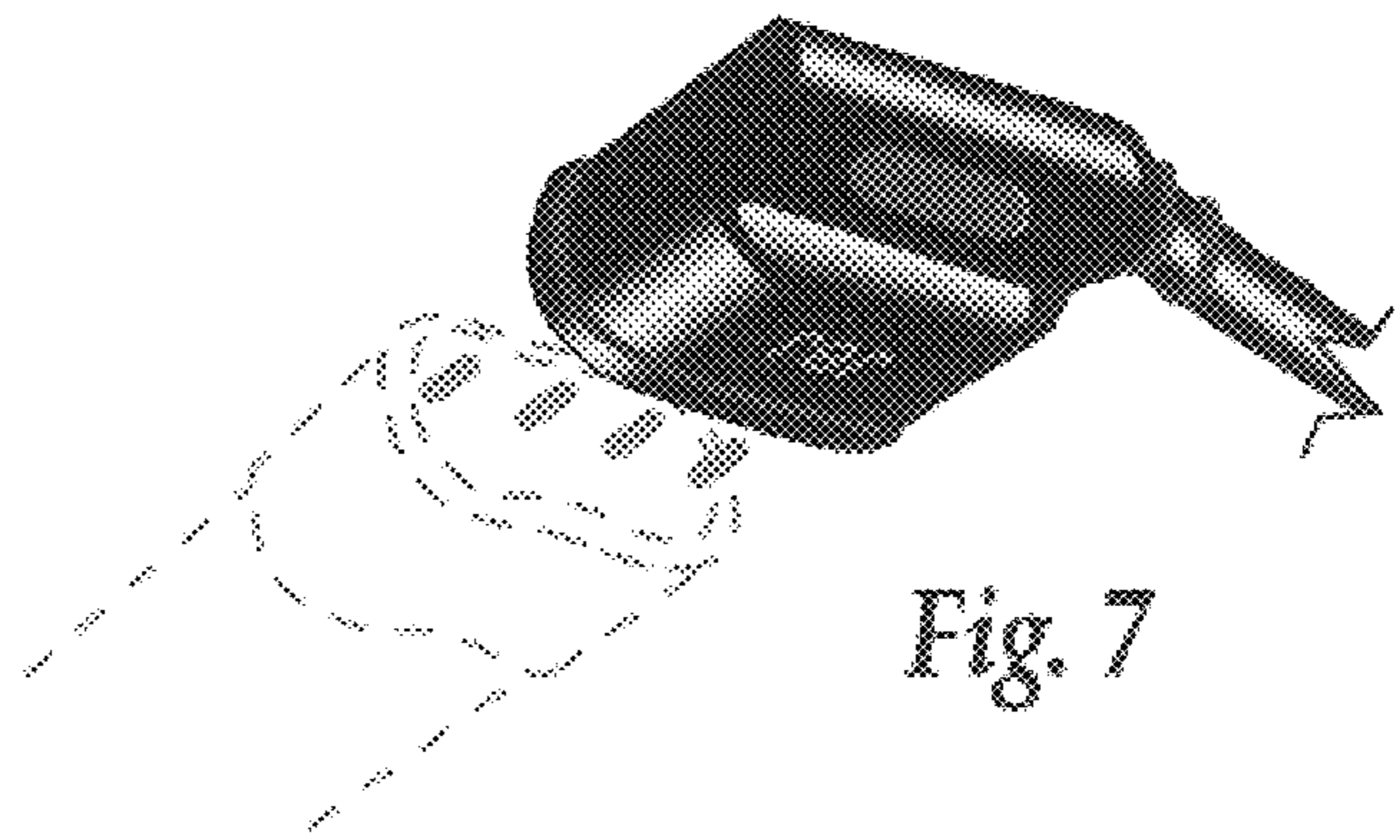
*Fig. 4*



*Fig. 5*



*Fig. 6*



*Fig. 7*