



US00D447117B1

(12) **United States Design Patent**
Ko

(10) **Patent No.:** **US D447,117 S**

(45) **Date of Patent:** **** Aug. 28, 2001**

(54) **CABLE END CONNECTOR ASSEMBLY**

(75) **Inventor:** **David Tso-Chin Ko**, Thousand Oaks,
CA (US)

(73) **Assignee:** **Hon Hai Precision Ind. Co., Ltd.**,
Taipei Hsien (TW)

(**) **Term:** **14 Years**

(21) **Appl. No.:** **29/132,397**

(22) **Filed:** **Nov. 8, 2000**

(51) **LOC (7) Cl.** **13-03**

(52) **U.S. Cl.** **D13/133**

(58) **Field of Search** D13/133; 439/63,
439/350, 581, 582, 732, 852, 842, 854-857

(56) **References Cited**

U.S. PATENT DOCUMENTS

- 4,083,623 * 4/1978 Lynch 439/857 X
- 5,011,439 * 4/1991 Pawlicki 439/854 X
- 5,180,315 * 1/1993 Nagashima 439/581
- 5,466,160 * 11/1995 Ogura 439/63

- 5,662,480 * 9/1997 Togashi 439/63
- 5,772,470 * 6/1998 Togashi 439/582
- 5,897,391 * 4/1999 Takahashi et al. 439/336
- 5,931,690 * 8/1999 Sai et al. 439/350
- 6,074,217 * 6/2000 Maruyama et al. 439/63

* cited by examiner

Primary Examiner—Joel Sincavage

(74) *Attorney, Agent, or Firm*—Wei Te Chung

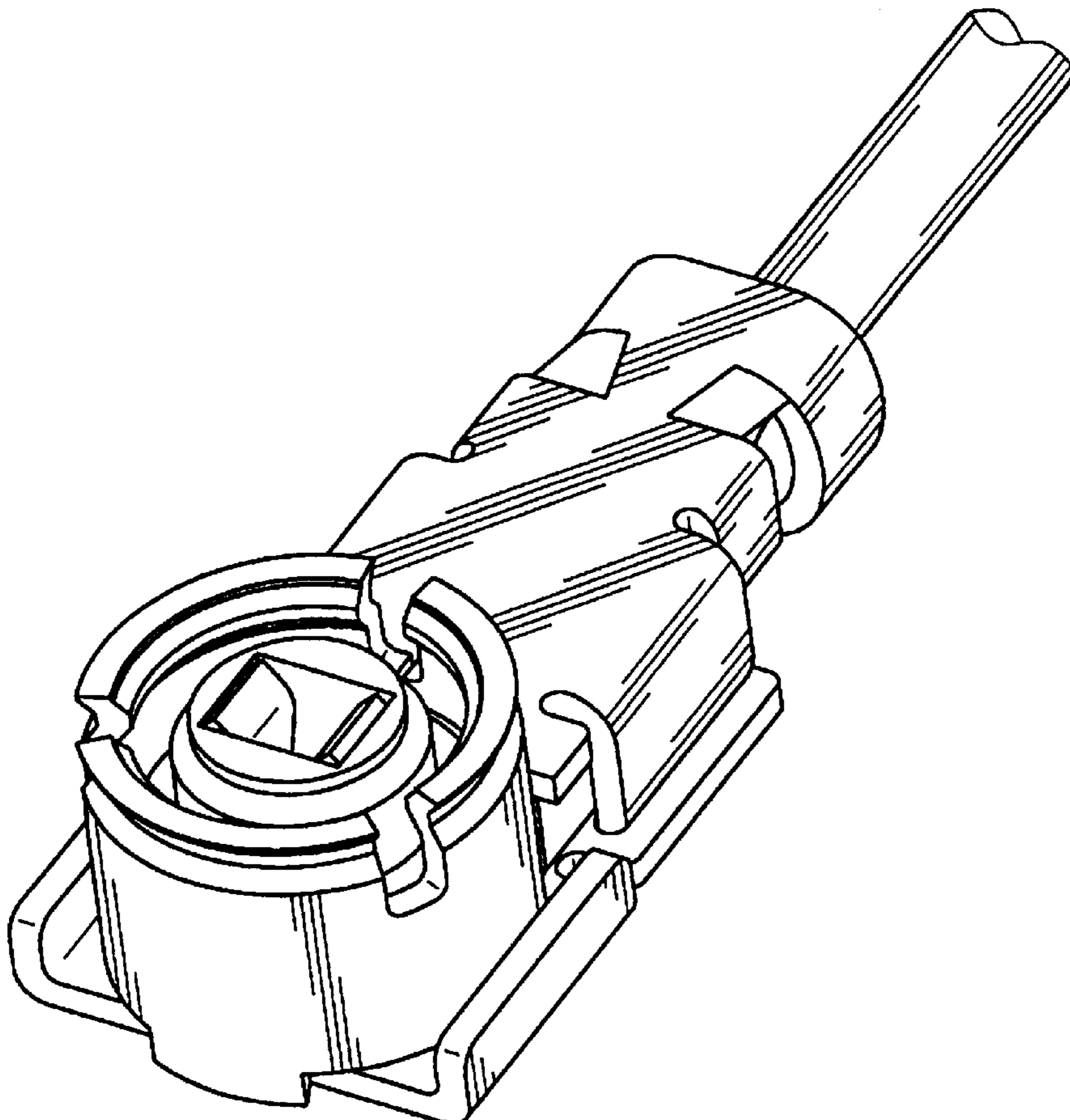
(57) **CLAIM**

The ornamental design for a cable end connector assembly,
as shown.

DESCRIPTION

FIG. 1 is a front, top and right side perspective view of a
cable end connector assembly showing my new design;
FIG. 2 is a front elevational view thereof;
FIG. 3 is a rear elevational view thereof;
FIG. 4 is a left side elevational view thereof;
FIG. 5 is a right side elevational view thereof;
FIG. 6 is a top plan view thereof; and,
FIG. 7 is a bottom plan view thereof.

1 Claim, 5 Drawing Sheets



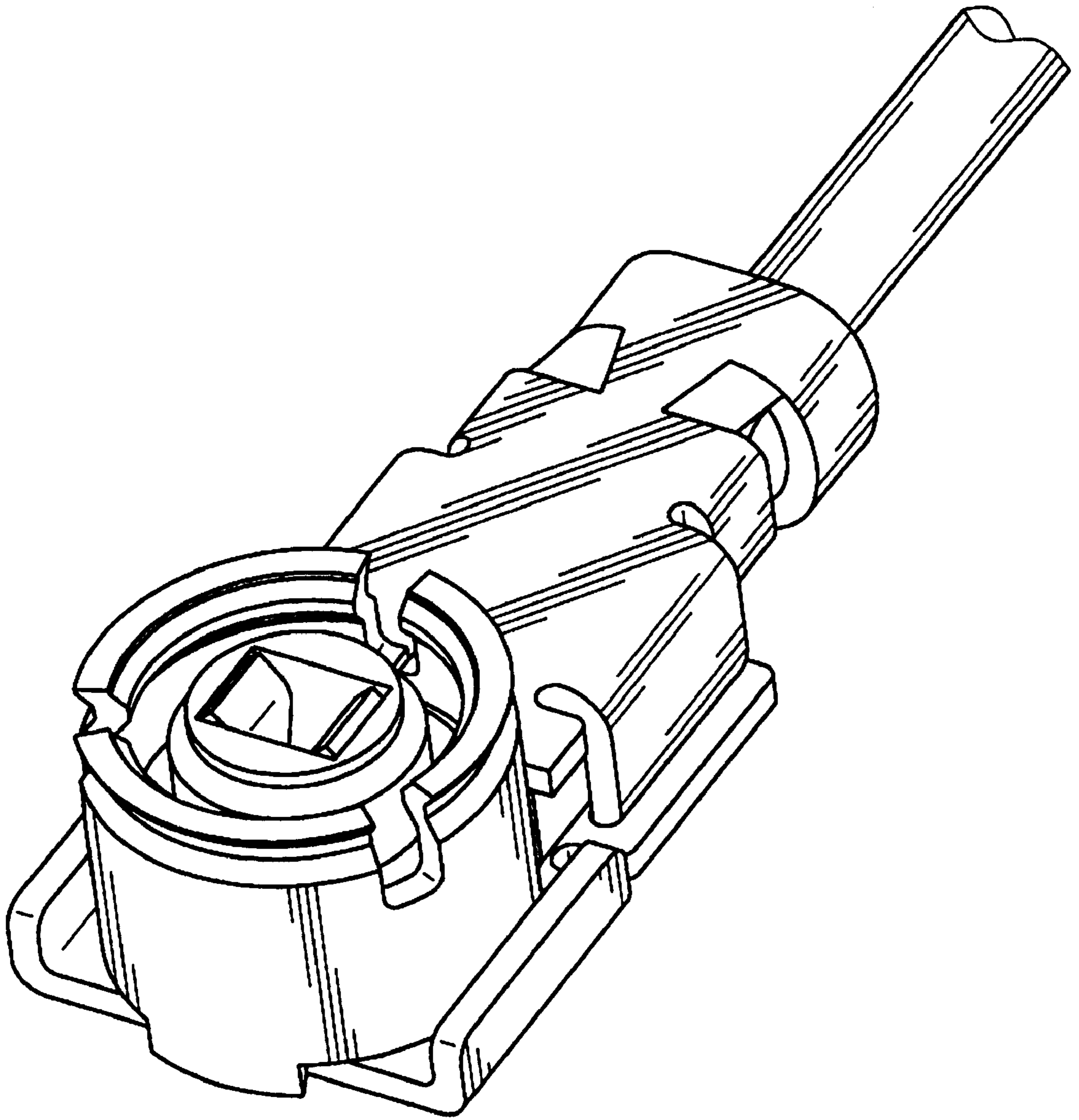


FIG. 1

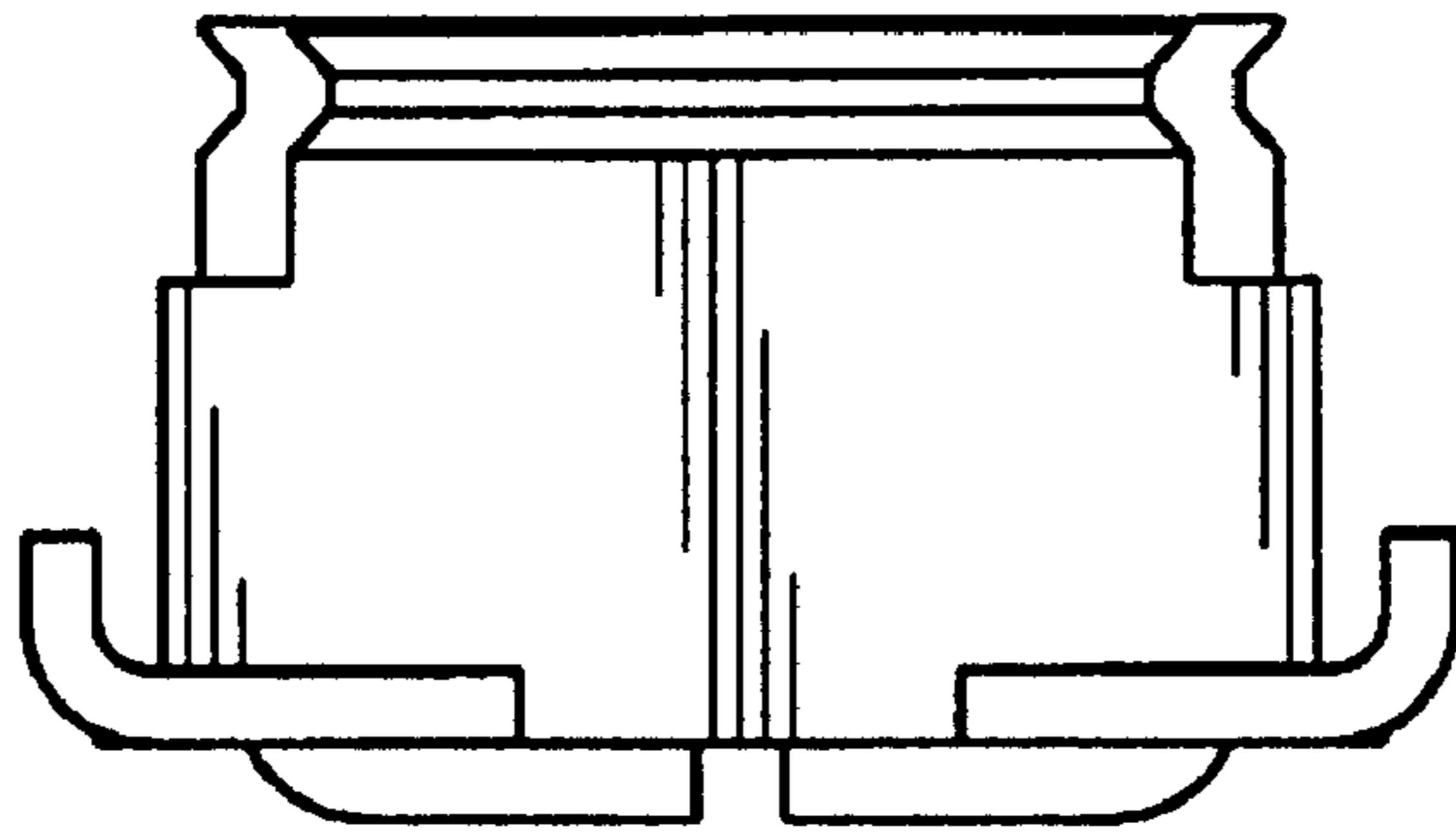


FIG. 2

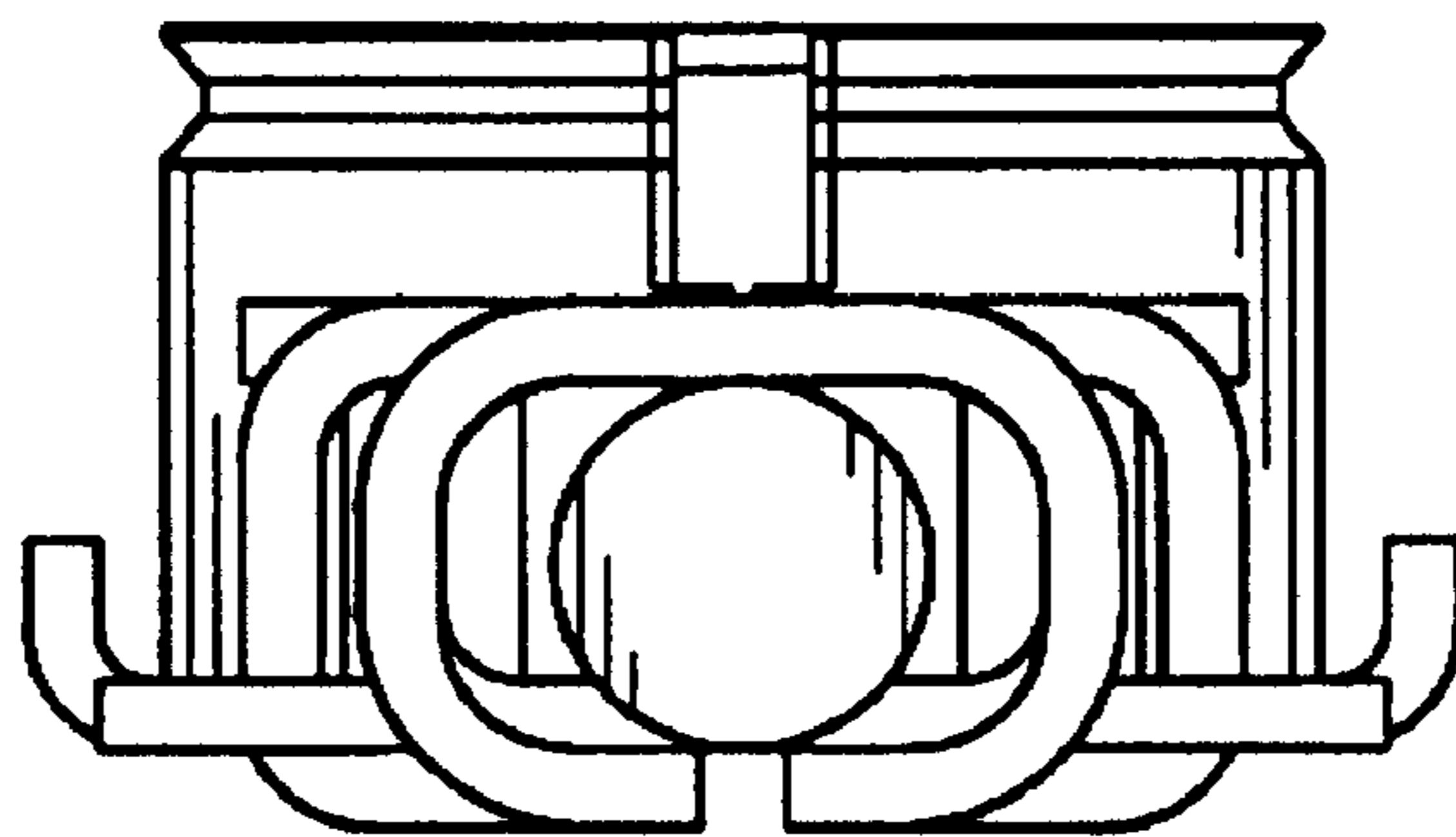


FIG. 3

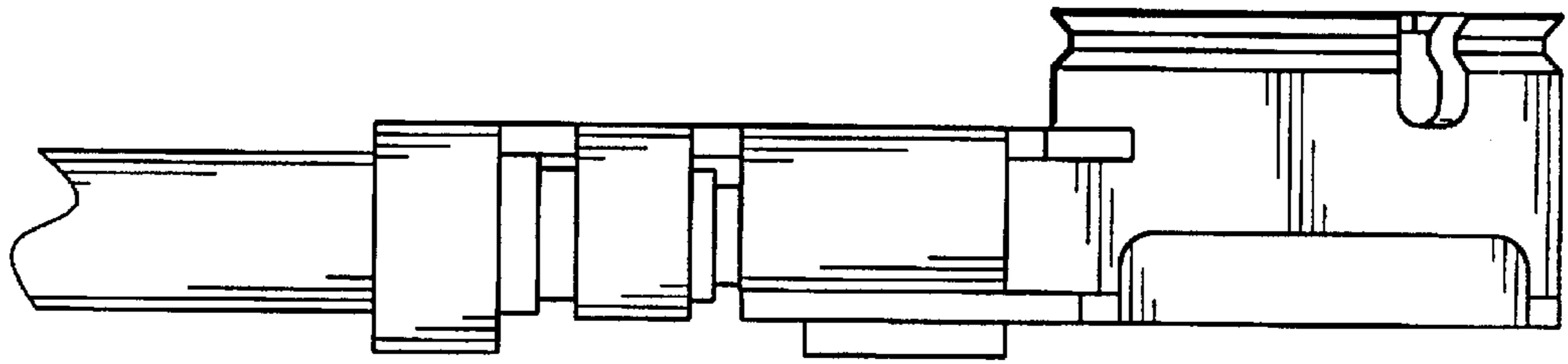


FIG. 4

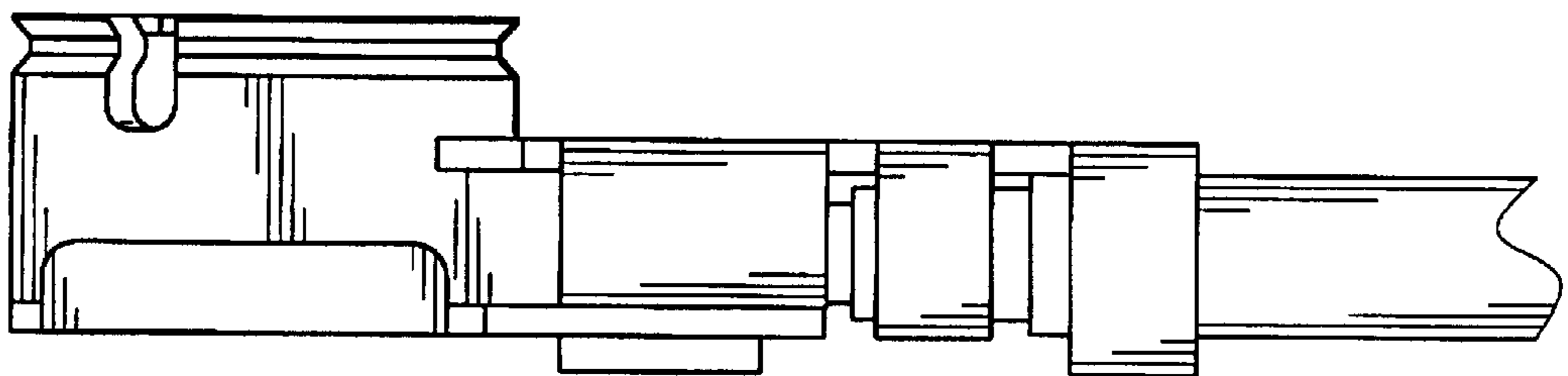


FIG. 5

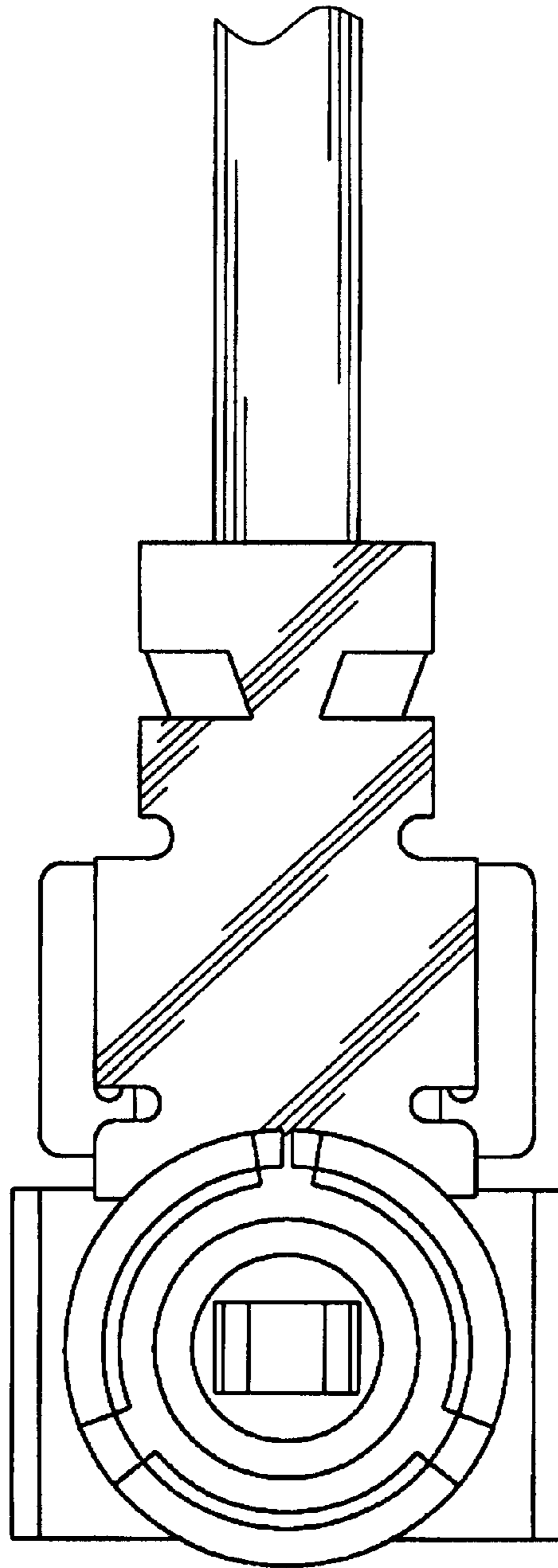


FIG. 6

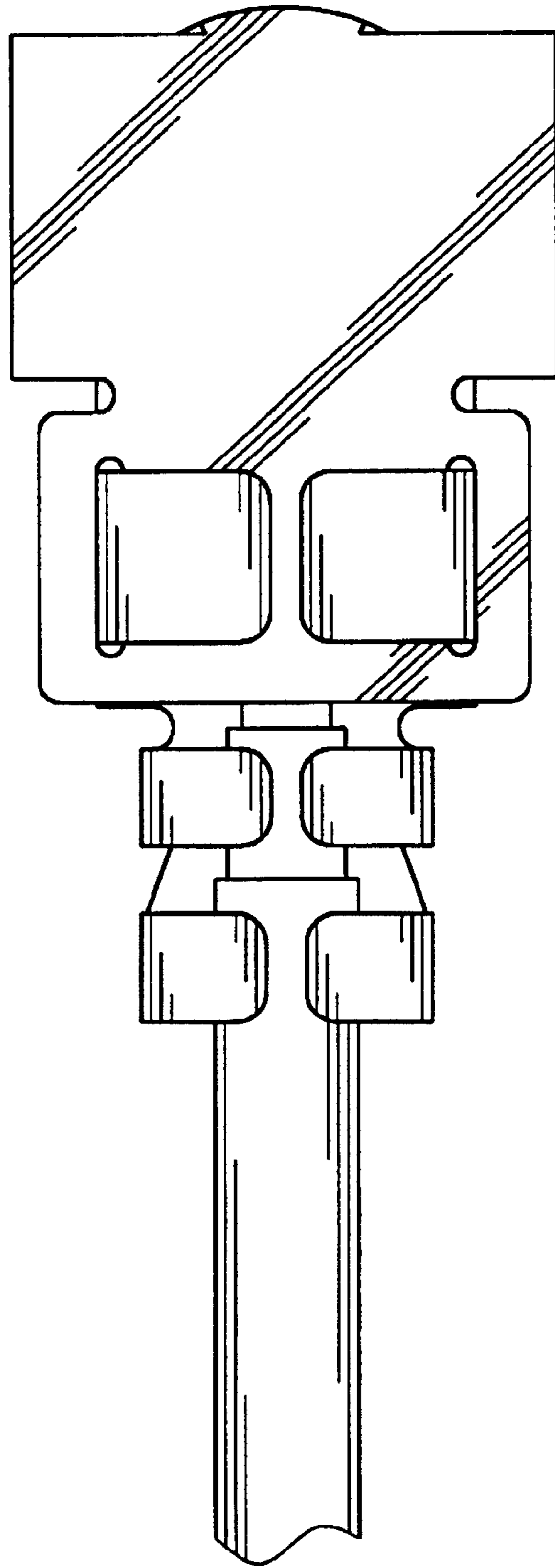


FIG. 7