



US00D447116B1

(12) **United States Design Patent**
Zhu et al.

(10) **Patent No.:** **US D447,116 S**

(45) **Date of Patent:** **** Aug. 28, 2001**

(54) **ELECTRICAL CONNECTOR**

(75) Inventors: **ZiQiang Zhu; ZhongHua Yao;**
ZhiQuan Mou, all of KunSan (CN)

(73) Assignee: **Hon Hai Precision Ind. Co., Ltd.**,
Taipei Hsien (TW)

(**) Term: **14 Years**

(21) Appl. No.: **29/132,168**

(22) Filed: **Nov. 2, 2000**

(30) **Foreign Application Priority Data**

Oct. 17, 2000 (TW) 089306945

(51) **LOC (7) Cl.** **13-03**

(52) **U.S. Cl.** **D13/133**

(58) **Field of Search** D13/133; 439/79,
439/80, 95, 607, 668, 748, 188

(56) **References Cited**

U.S. PATENT DOCUMENTS

D. 435,015 * 12/2000 Wang D13/133

5,338,215 * 8/1994 Lee et al. 439/188

5,797,768 * 8/1998 Francaviglia 439/567

6,168,448 * 1/2001 Chang 439/188

* cited by examiner

Primary Examiner—Joel Sincavage

(74) *Attorney, Agent, or Firm*—Wei Te Chung

(57) **CLAIM**

The ornamental design for an electrical connector, as shown.

DESCRIPTION

FIG. 1 is a front, top and right side perspective view of an electrical connector showing our new design;

FIG. 2 is a front elevational view thereof;

FIG. 3 is a rear elevational view thereof;

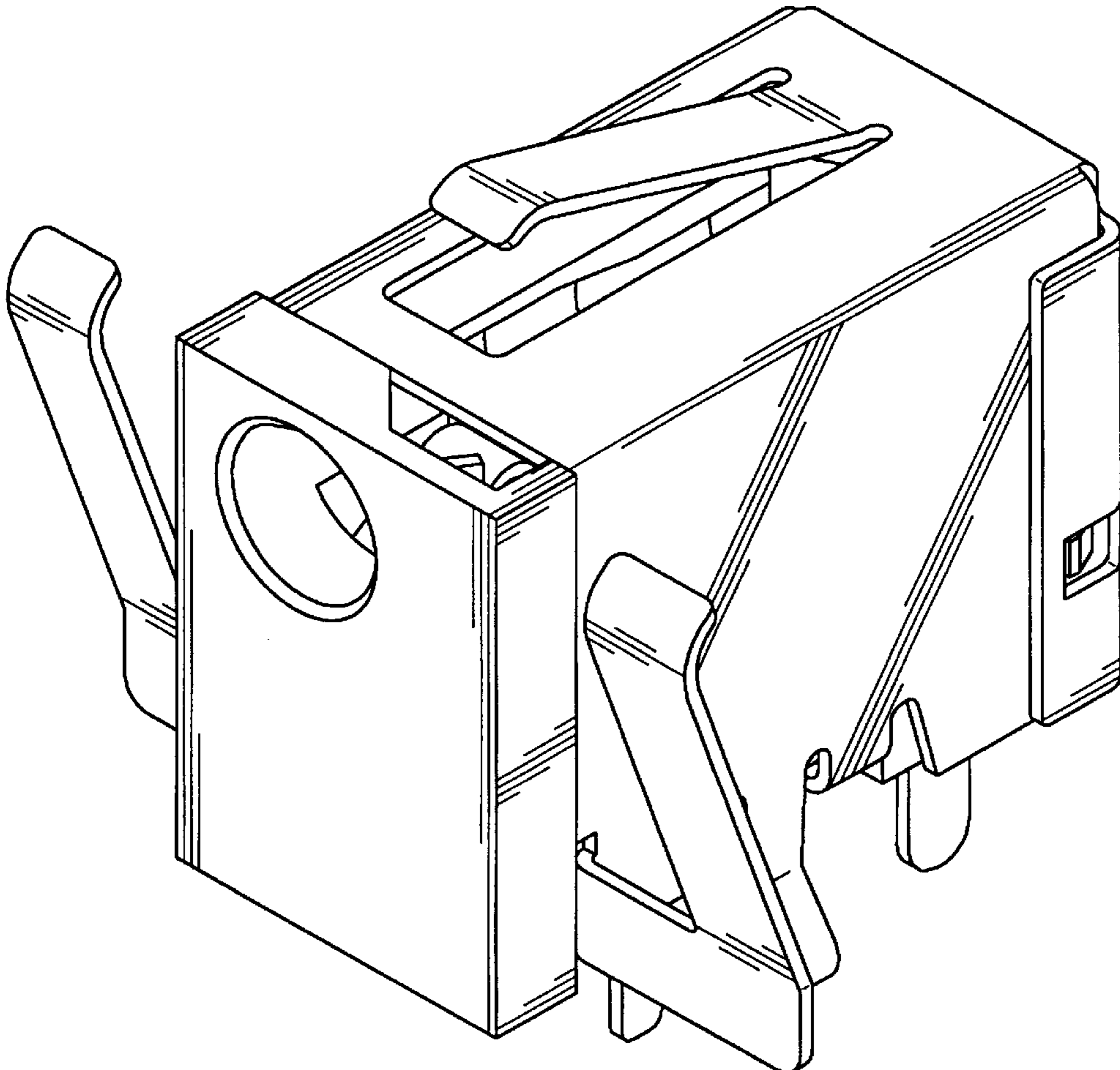
FIG. 4 is a left side elevational view thereof;

FIG. 5 is a right side elevational view thereof;

FIG. 6 is a top plan view thereof; and,

FIG. 7 is a bottom plan view thereof.

1 Claim, 7 Drawing Sheets



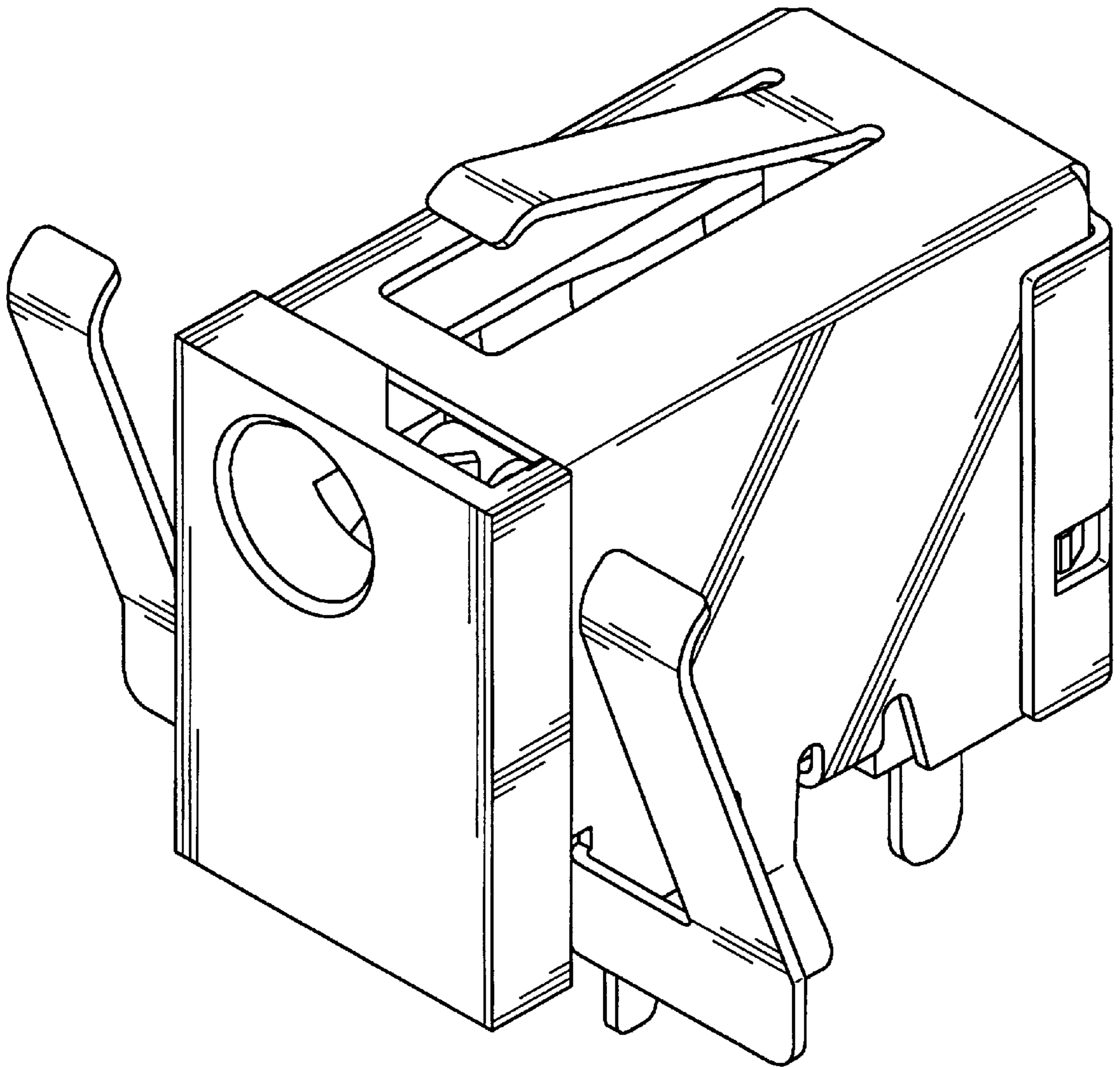


FIG. 1

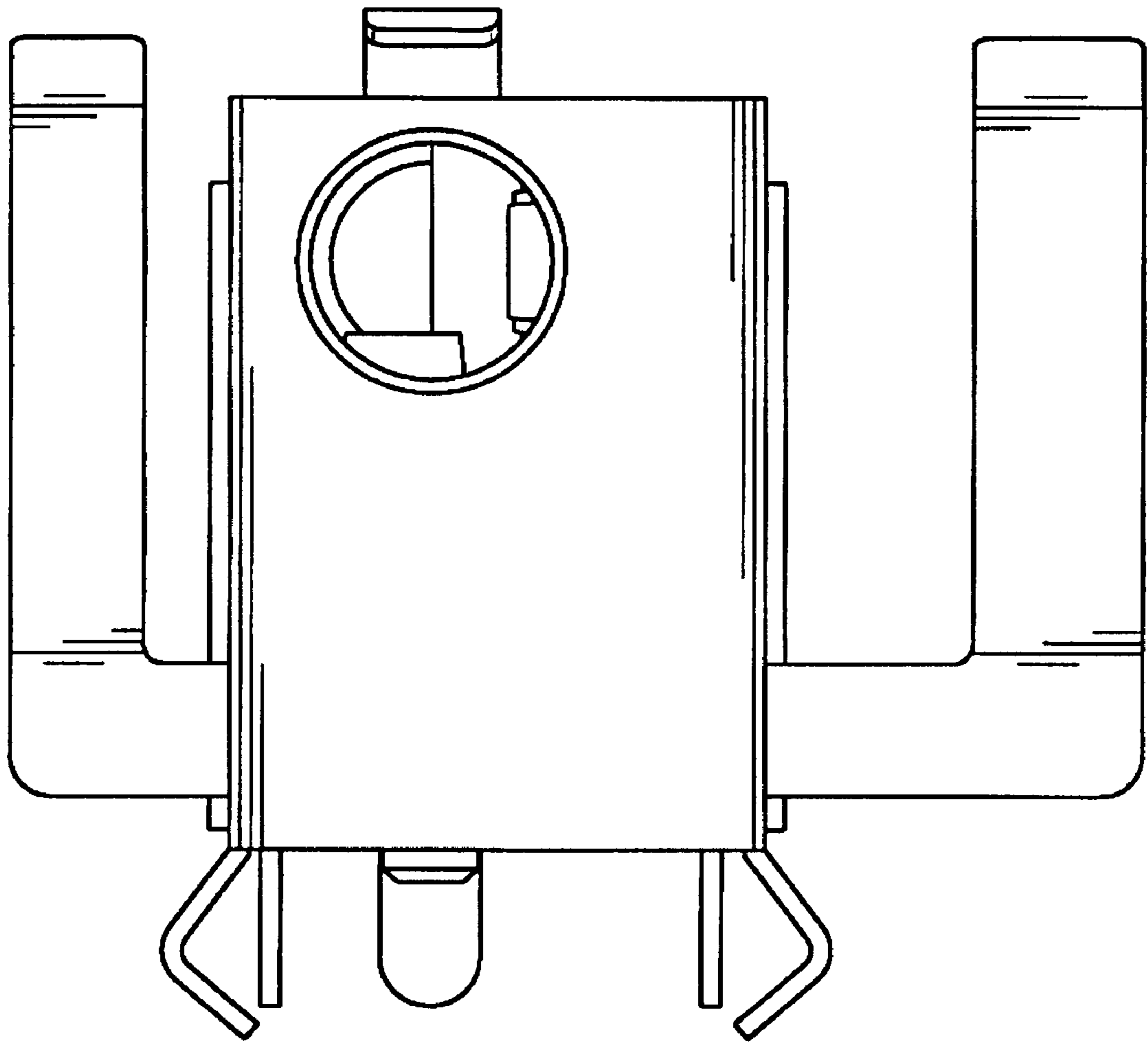


FIG. 2

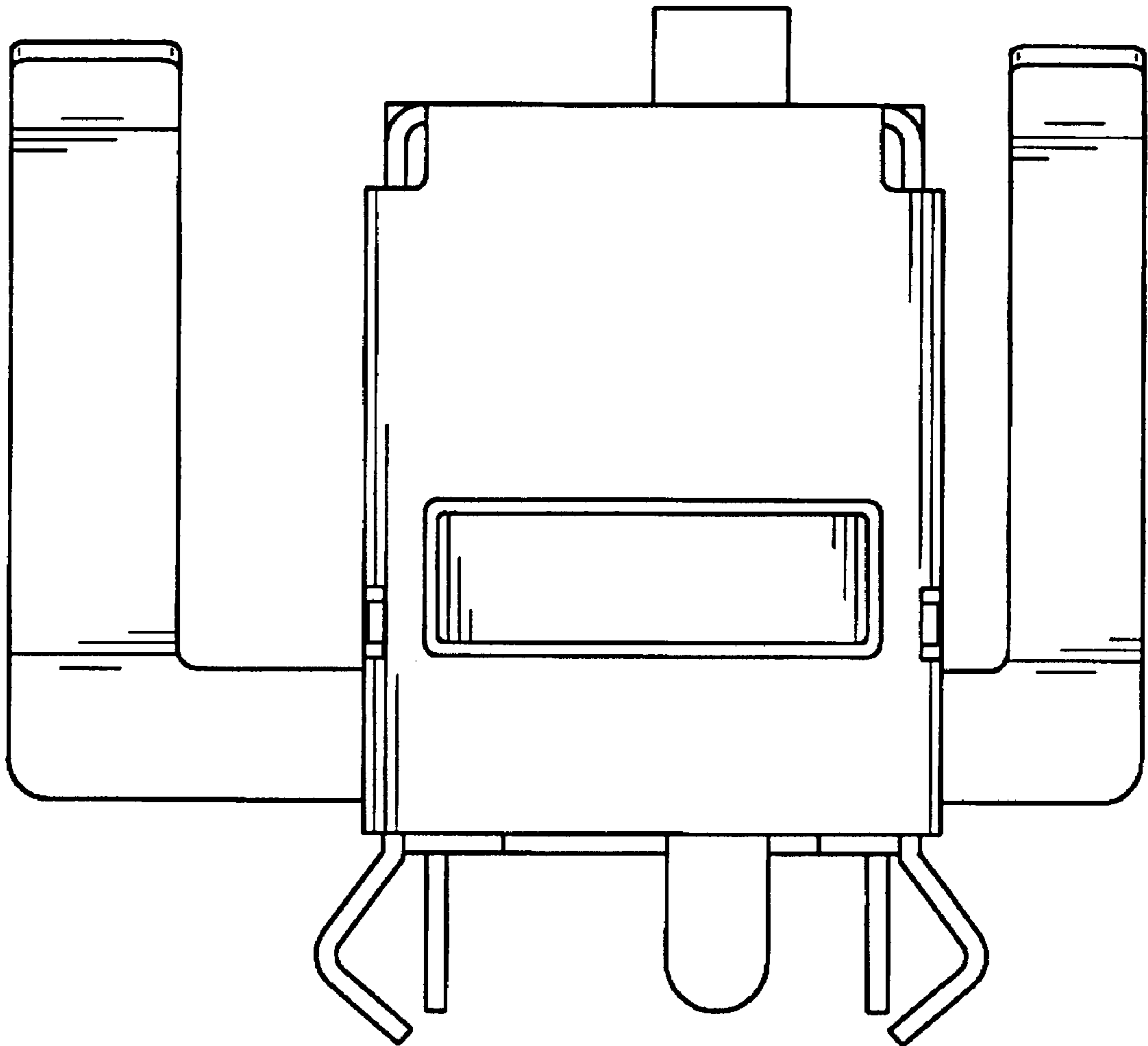


FIG. 3

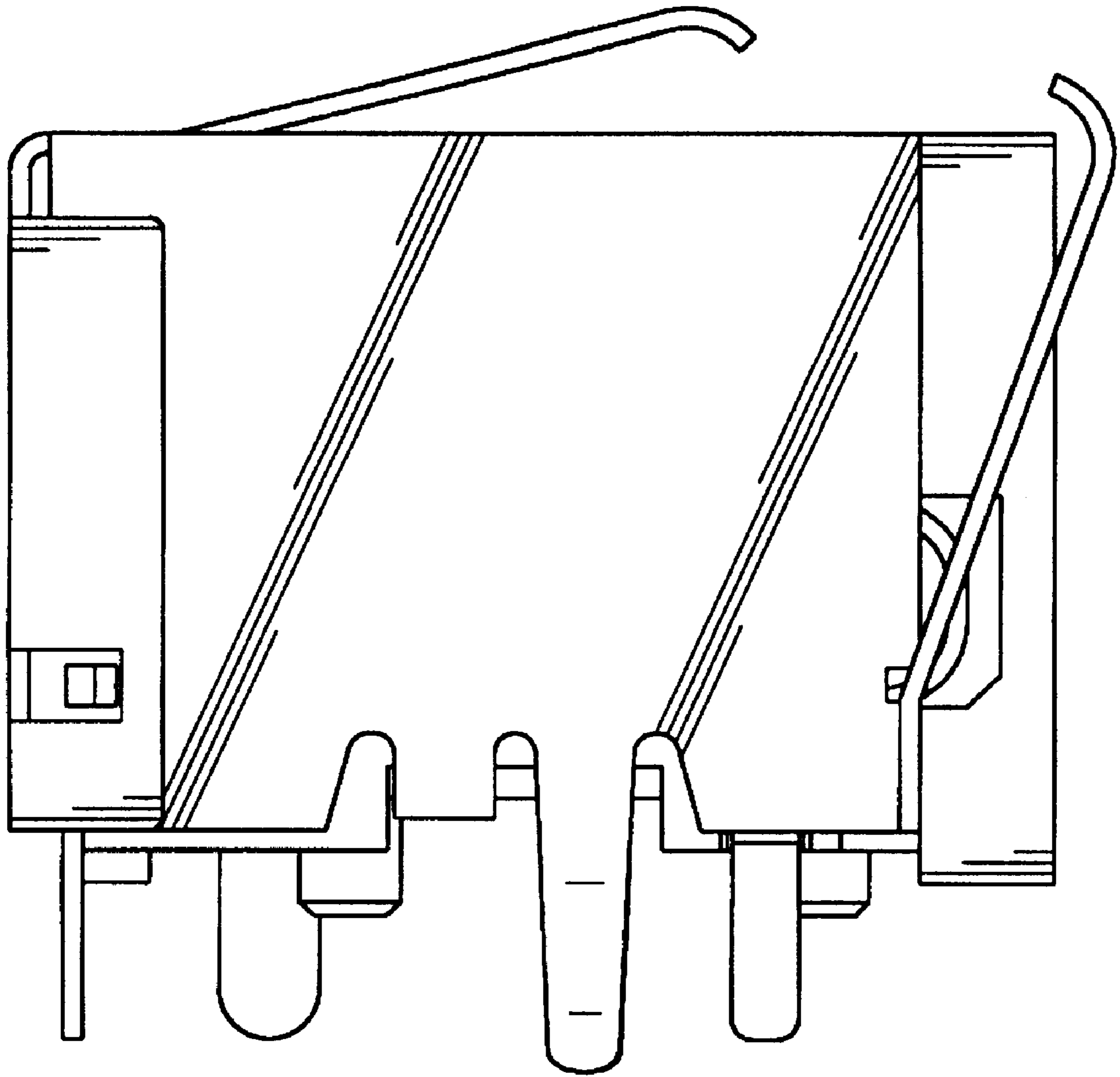


FIG. 4

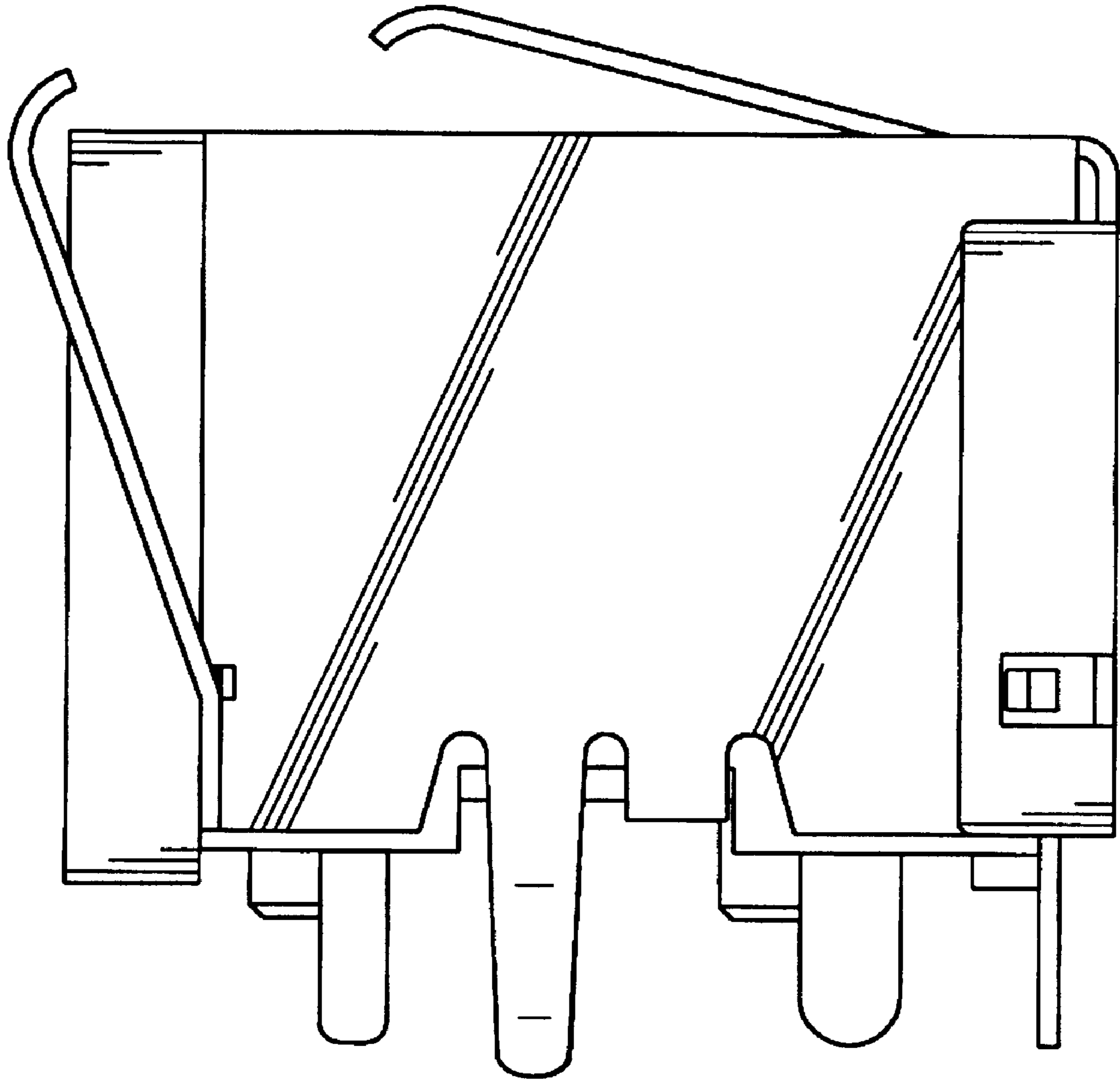


FIG. 5

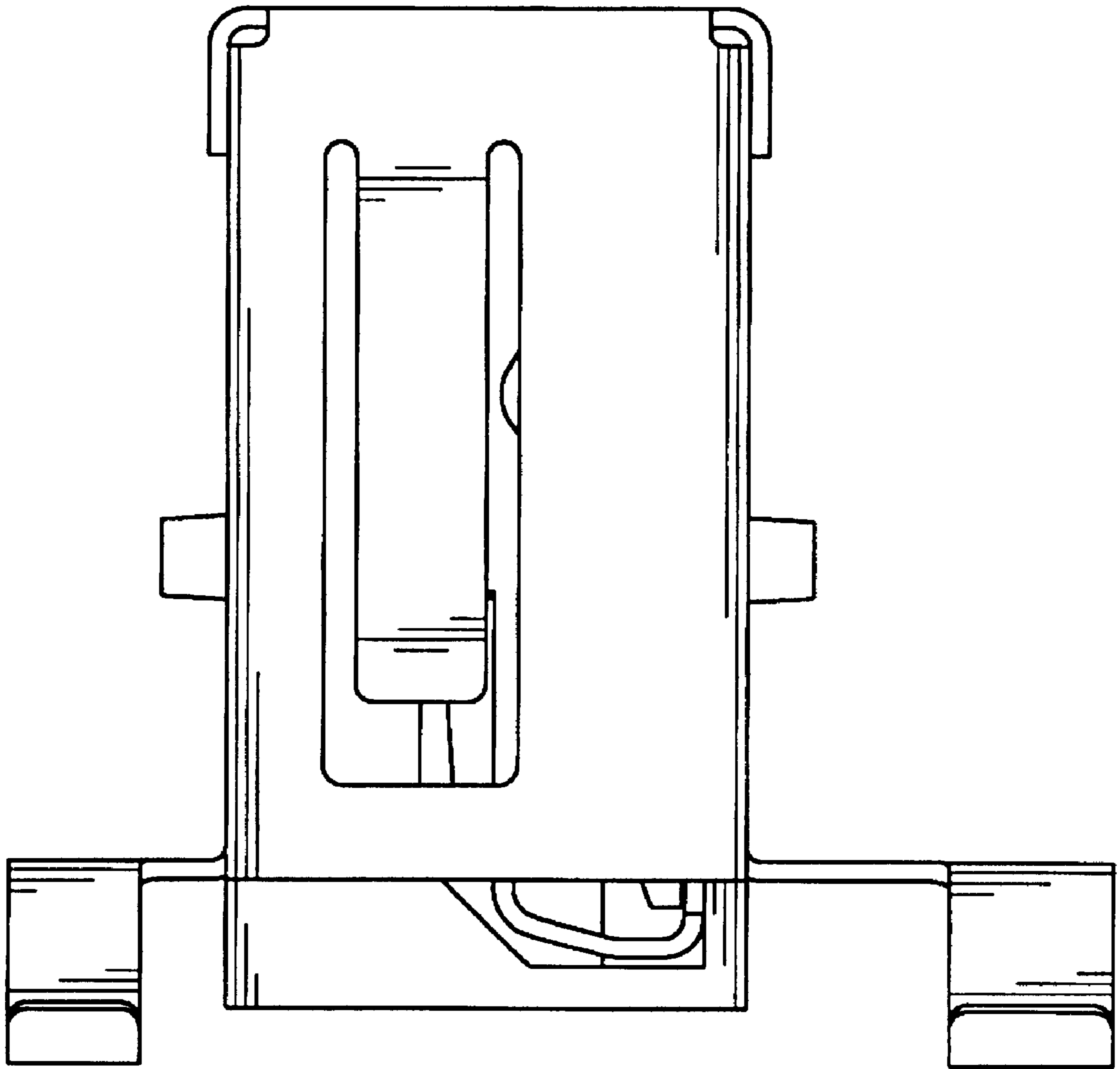


FIG. 6

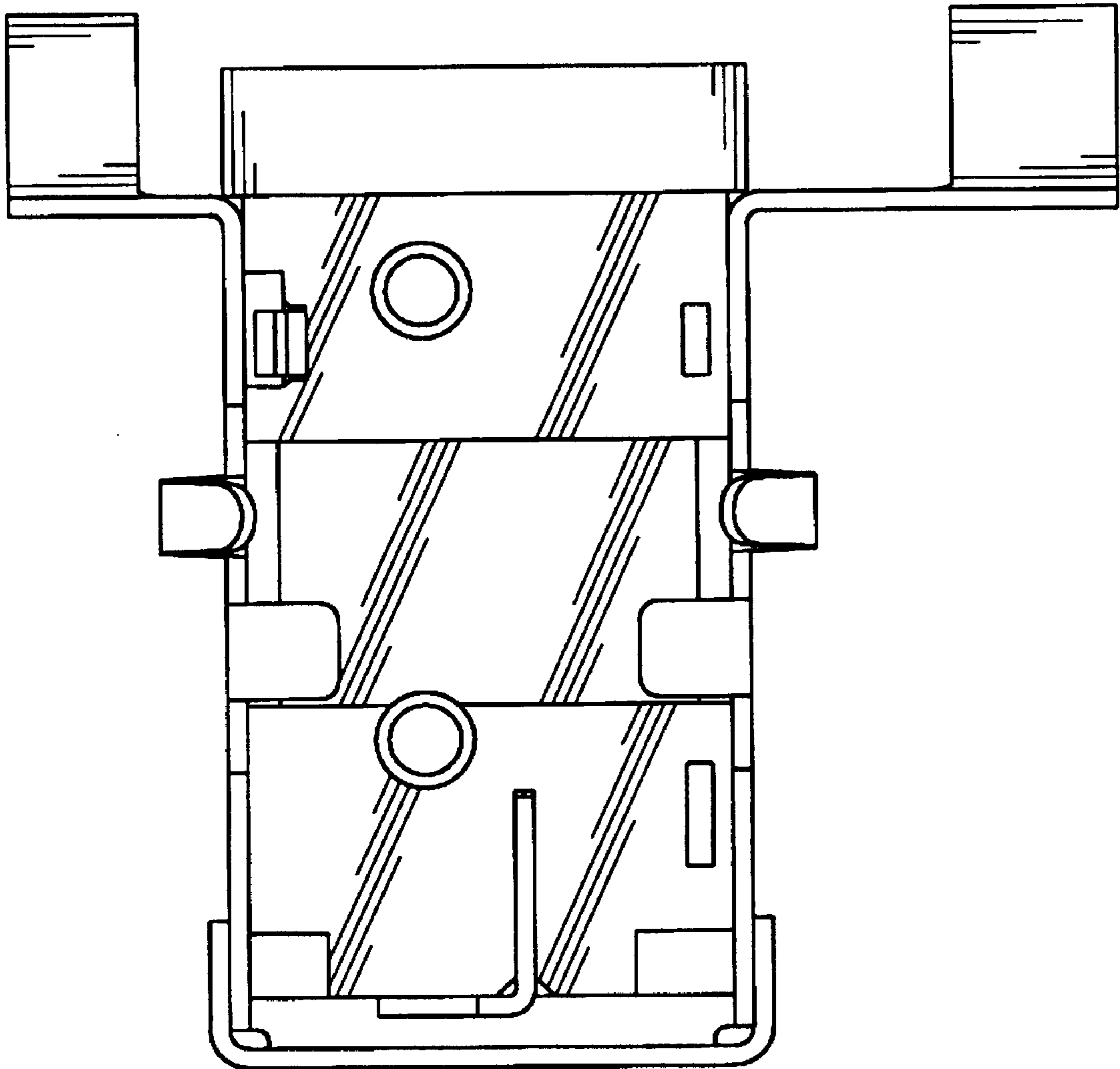


FIG. 7