



US00D447115B1

(12) **United States Design Patent**
Asao et al.

(10) **Patent No.:** **US D447,115 S**
(45) **Date of Patent:** **** Aug. 28, 2001**

(54) **STATOR OF AC GENERATOR FOR VEHICLES**

6,051,906 * 4/2000 Umeda et al. 310/179

FOREIGN PATENT DOCUMENTS

(75) Inventors: **Yoshihito Asao; Katsumi Adachi; Akira Morishita**, all of Tokyo (JP)

09103052A * 4/1997 (JP) H02K/15/02

* cited by examiner

(73) Assignee: **Mitsubishi Denki Kabushiki Kaisha**, Tokyo (JP)

Primary Examiner—Joel Sincavage

(**) Term: **14 Years**

(74) *Attorney, Agent, or Firm*—Oblon, Spivak, McClelland, Maier & Neustadt, P.C.

(21) Appl. No.: **29/124,821**

(57) **CLAIM**

(22) Filed: **Jun. 13, 2000**

The ornamental design for a stator of AC generator for vehicles, as shown and described.

(30) **Foreign Application Priority Data**

DESCRIPTION

Dec. 14, 1999 (JP) 11-34429

(51) **LOC (7) Cl.** **13-01**

(52) **U.S. Cl.** **D13/122**

(58) **Field of Search** D13/118, 122;
310/52, 179, 180, 201, 254-260

FIG. 1 is a front, and top side perspective view of a stator of an AC generator for vehicles showing our new design; FIG. 2 is a front elevational view thereof; FIG. 3 is a top plan view thereof; FIG. 4 is a rear elevational view thereof; FIG. 5 is a bottom plan view thereof; FIG. 6 is a right side elevational view thereof; FIG. 7 is a left side elevational view thereof; and, FIG. 8 is a front, and top side reference perspective view showing a part of the armature coils of the stator.

(56) **References Cited**

U.S. PATENT DOCUMENTS

- D. 425,857 * 5/2000 Umeda et al. D13/118
- D. 426,191 * 6/2000 Umeda et al. D13/122
- 3,453,468 * 7/1969 Lund 310/180
- 4,741,098 * 5/1988 Barrera 29/736
- 5,640,062 * 6/1997 Yockey 310/68 D
- 5,998,903 * 12/1999 Umeda et al. 310/179
- 6,049,154 * 4/2000 Asao et al. 310/201

The broken line showing in FIG. 8 is included for the purpose of including a continuous array of the single curvature coil part as shown in FIG. 1.

1 Claim, 5 Drawing Sheets

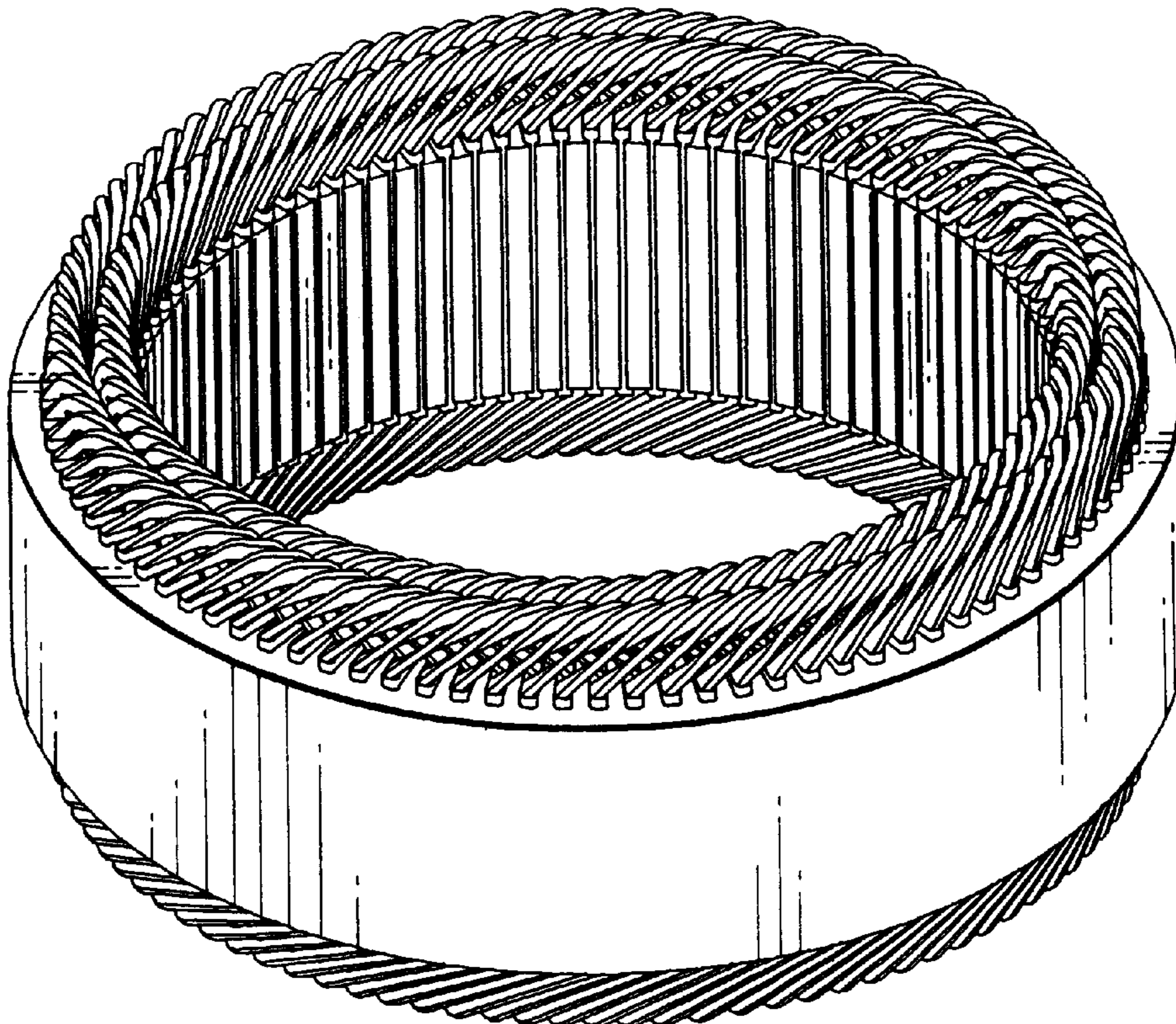


FIG. 1

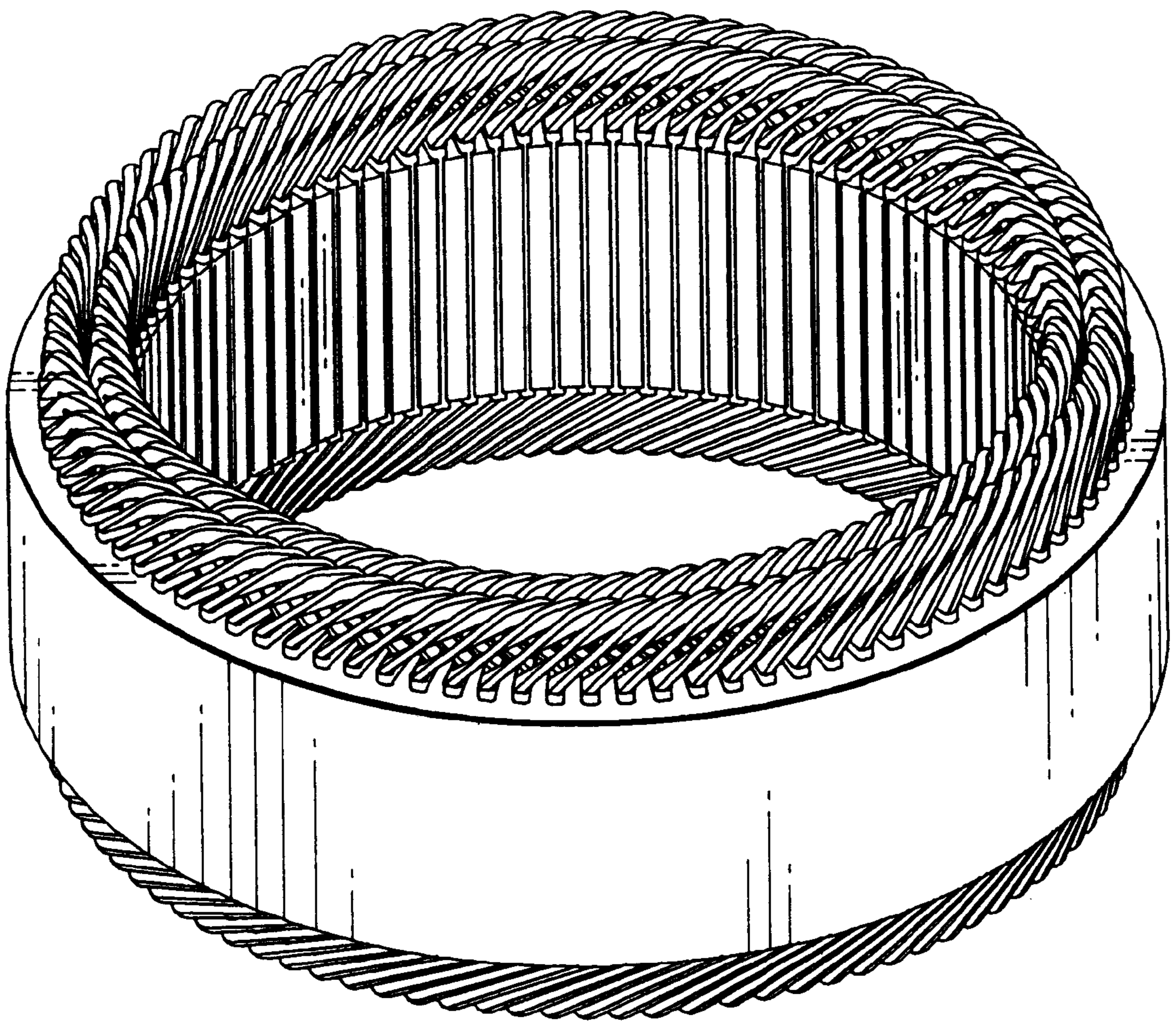


FIG. 2

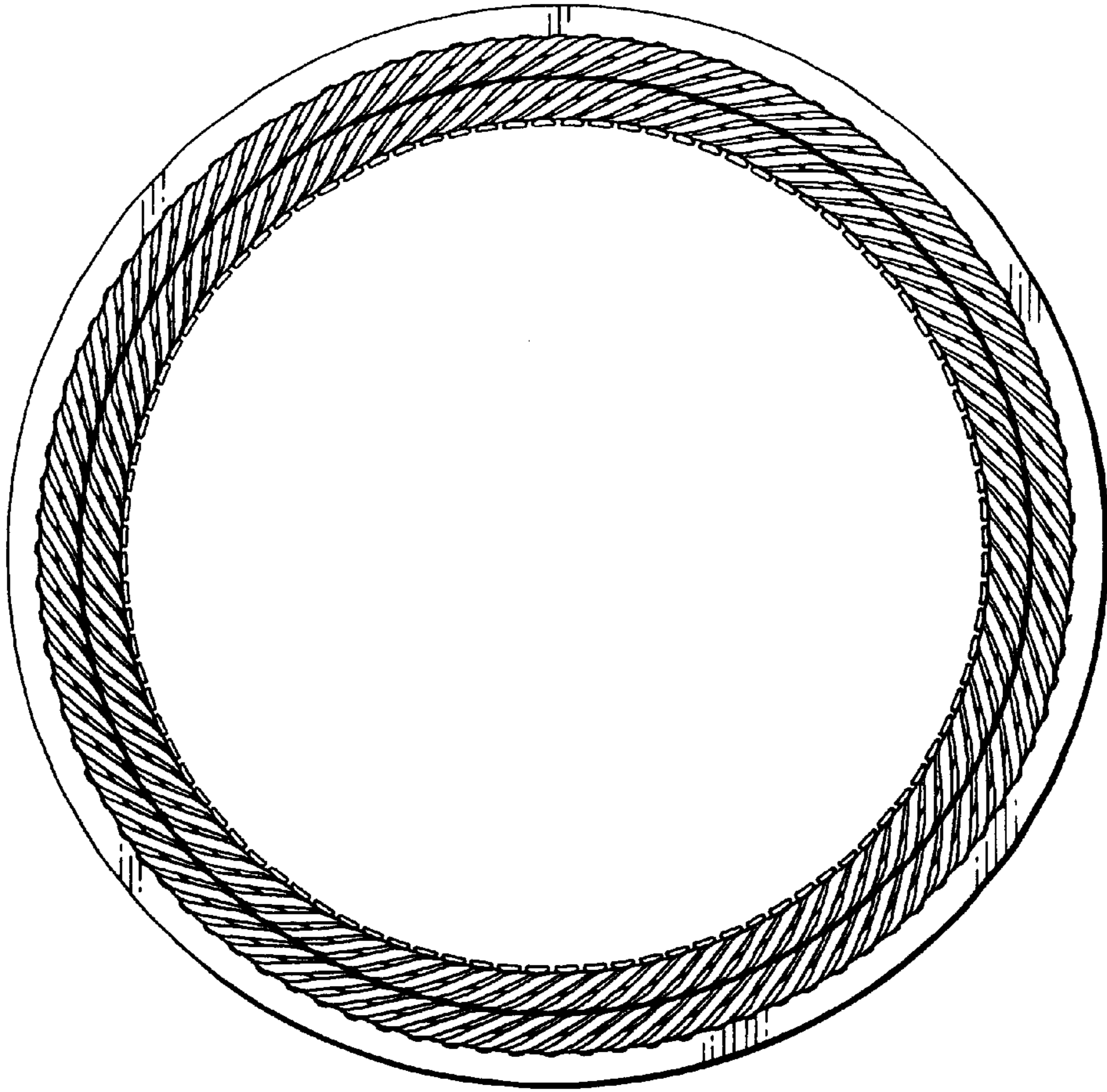


FIG. 3

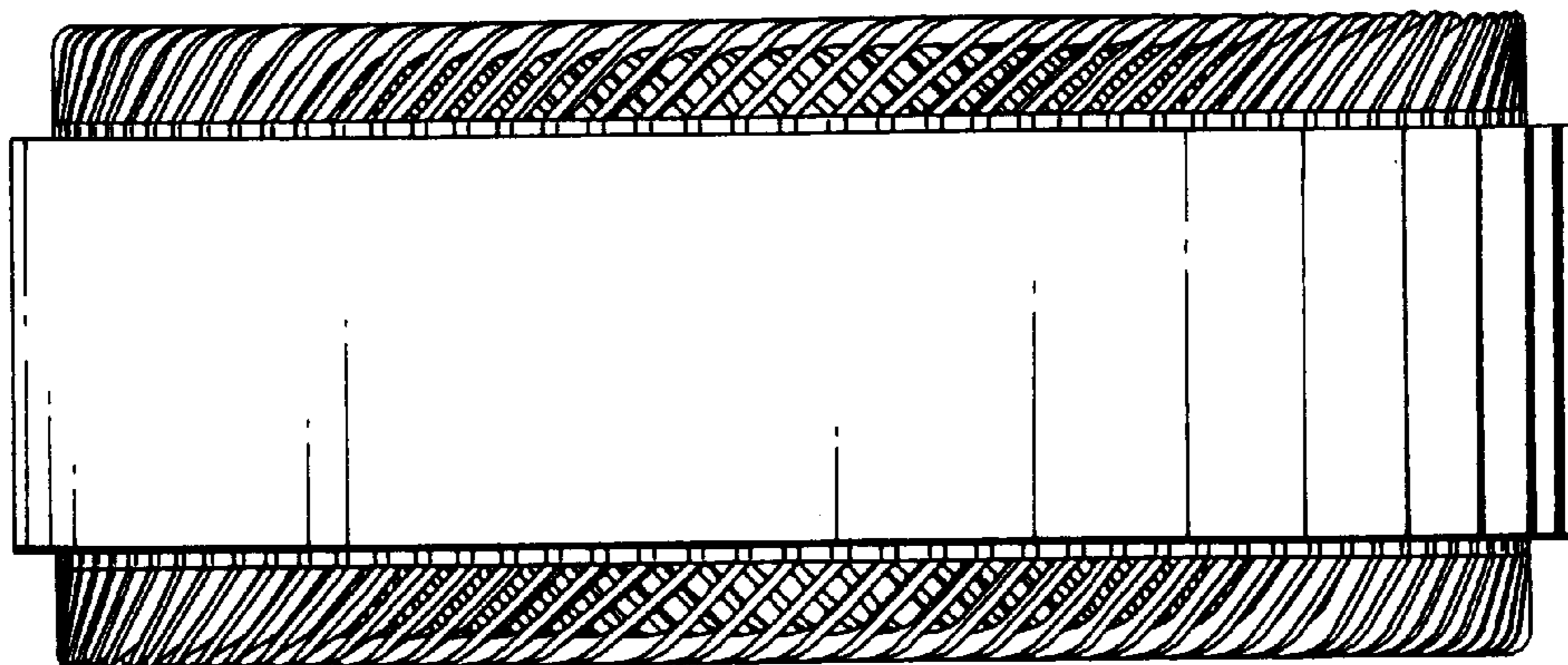


FIG. 4

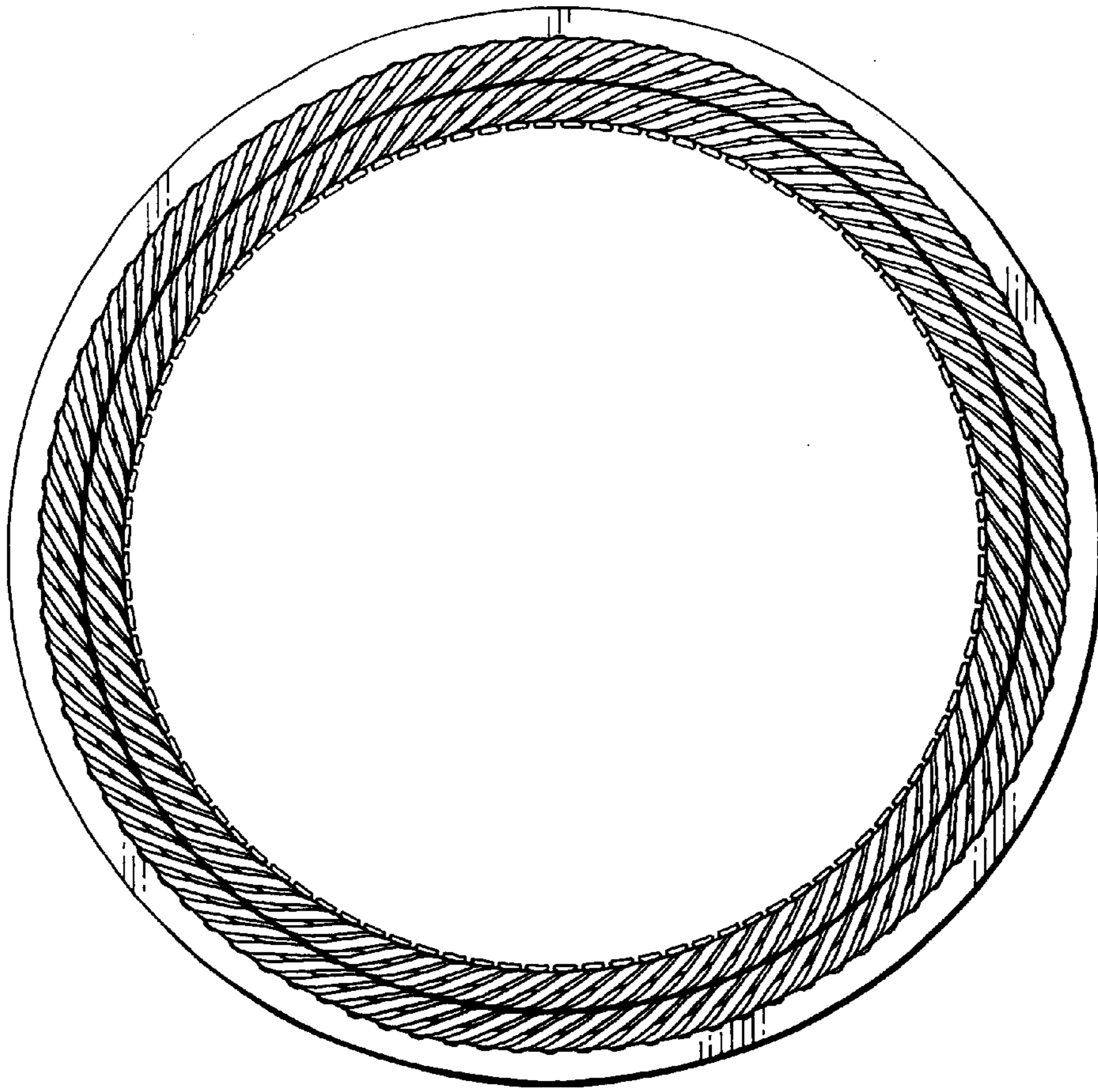


FIG. 5

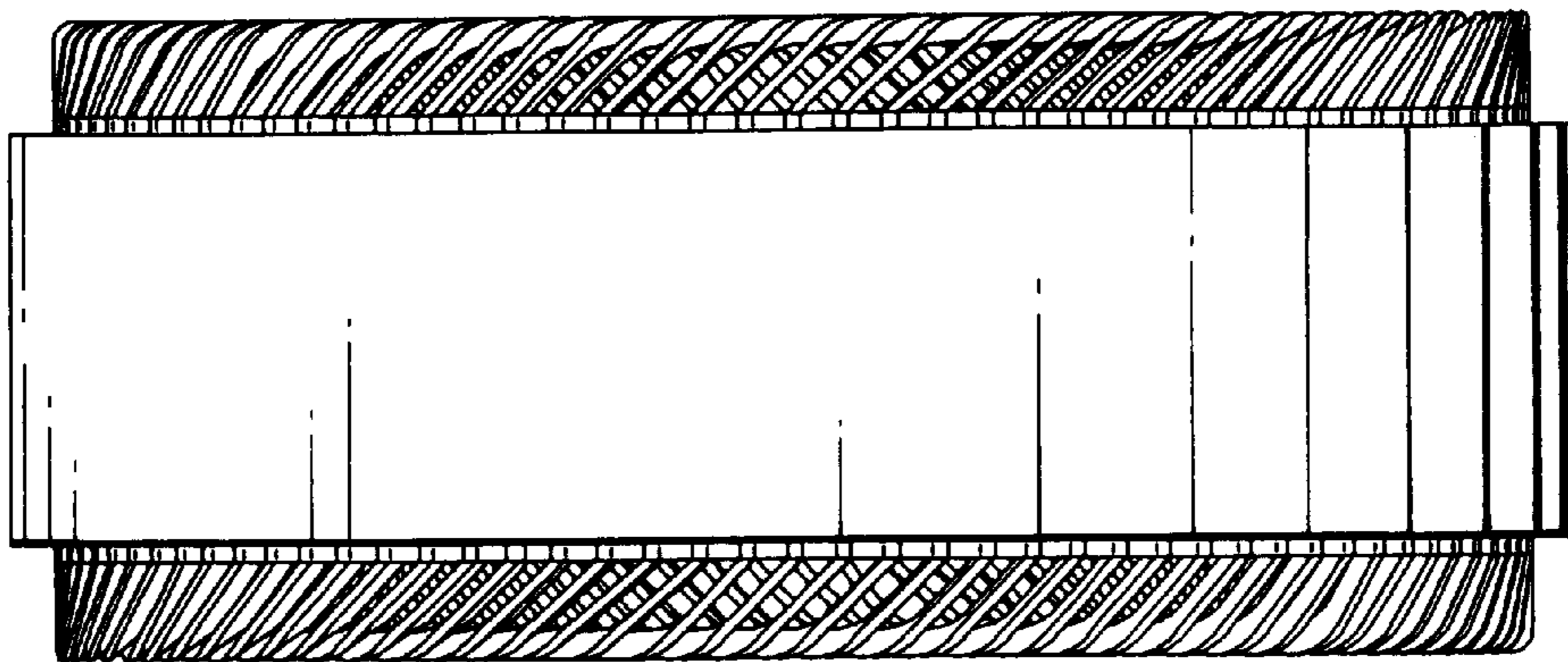


FIG. 6

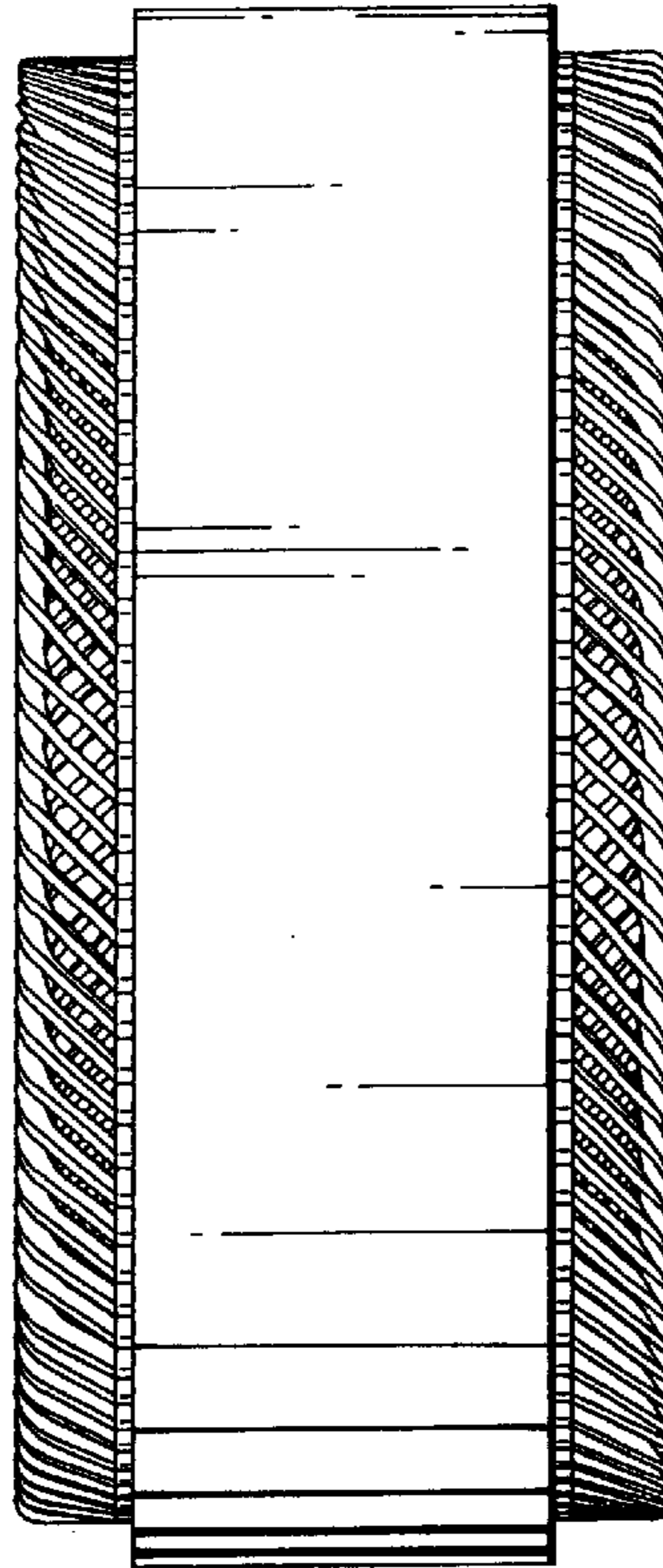


FIG. 7

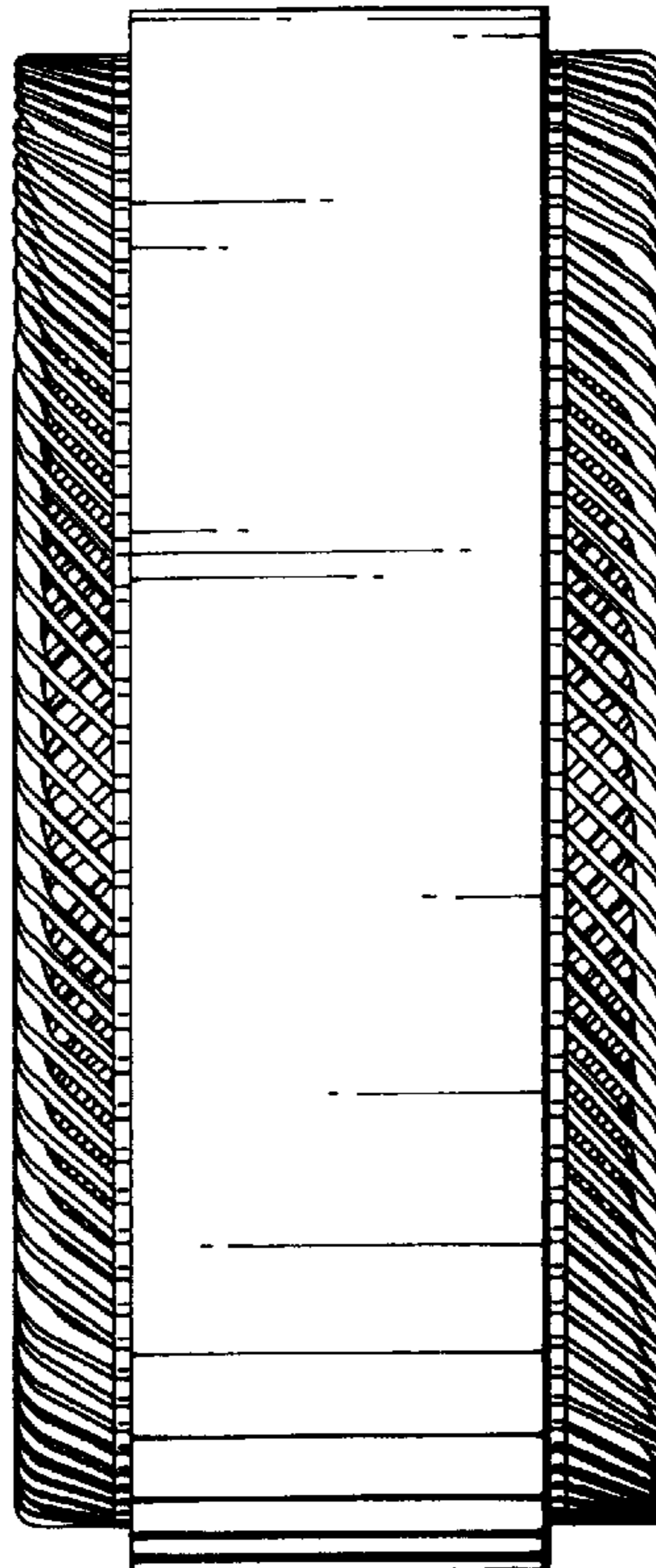


FIG. 8

