



US00D447110B1

(12) **United States Design Patent**
Chen

(10) **Patent No.:** **US D447,110 S**

(45) **Date of Patent:** **** Aug. 28, 2001**

(54) **CARRIER BOX FOR VEHICLES AND CYCLES**

(76) **Inventor:** **Cheng Shun Chen**, No. 18, Lane 851, Chong San Road, Shern Gang Hsiang, Taichung Hsien (TW)

(**) **Term:** **14 Years**

(21) **Appl. No.:** **29/135,813**

(22) **Filed:** **Jan. 22, 2001**

(51) **LOC (7) Cl.** **12-16**

(52) **U.S. Cl.** **D12/410**

(58) **Field of Search** D12/409, 410; 224/400, 309, 412, 433, 435, 506, 511-516, 488, 489, 42.31, 328

(56) **References Cited**

U.S. PATENT DOCUMENTS

5,775,559 * 7/1998 Mechanic et al. 224/435 X

* cited by examiner

Primary Examiner—Alan P. Douglas

Assistant Examiner—Linda Brooks

(74) *Attorney, Agent, or Firm*—Charles E. Baxley, Esq.

(57) **CLAIM**

The ornamental design for a carrier box for vehicles and cycles, as shown and described.

DESCRIPTION

FIG. 1 is a perspective view of a carrier box for vehicles and cycles showing my new design;

FIG. 2 is a front elevational view thereof;

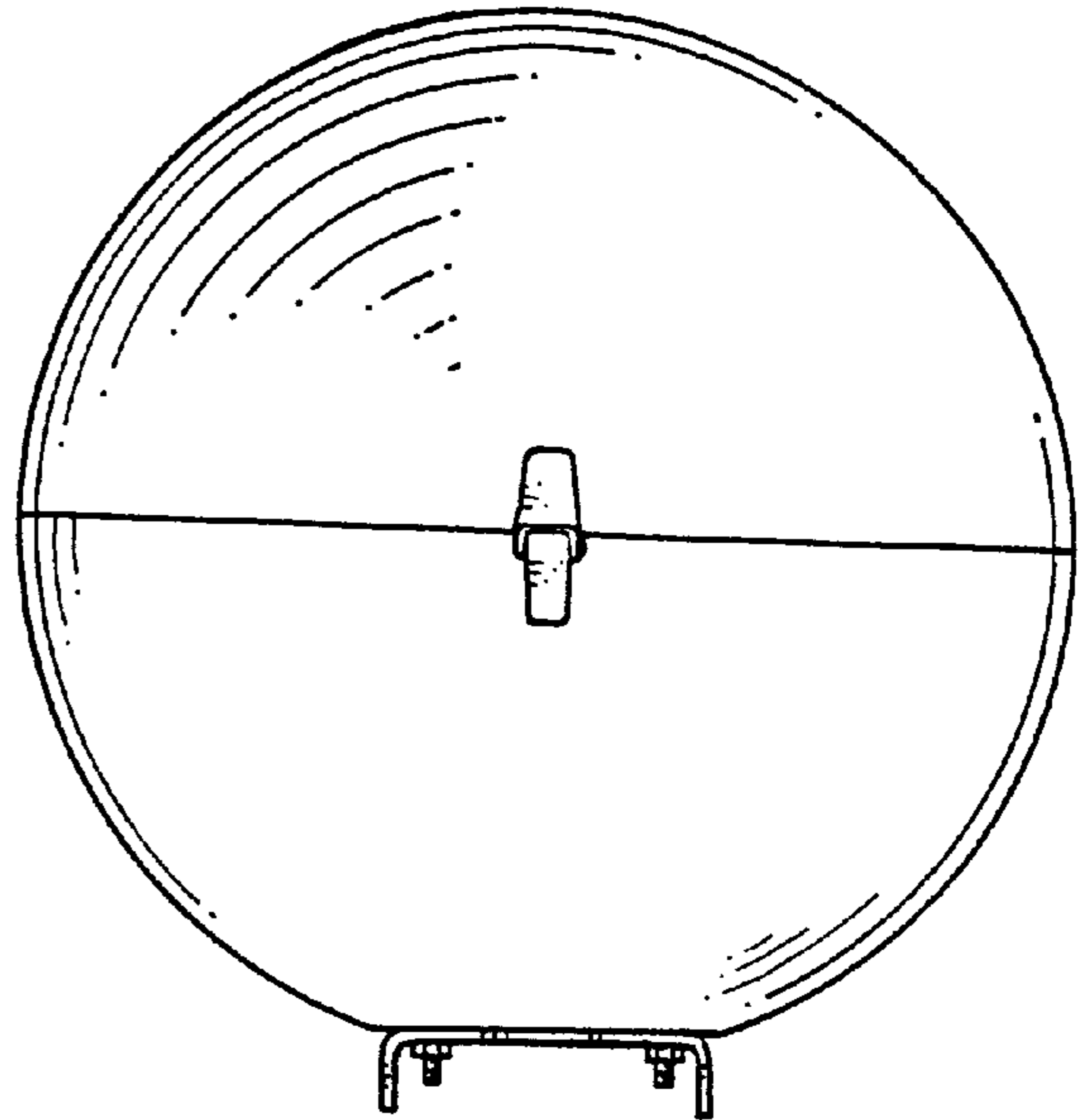
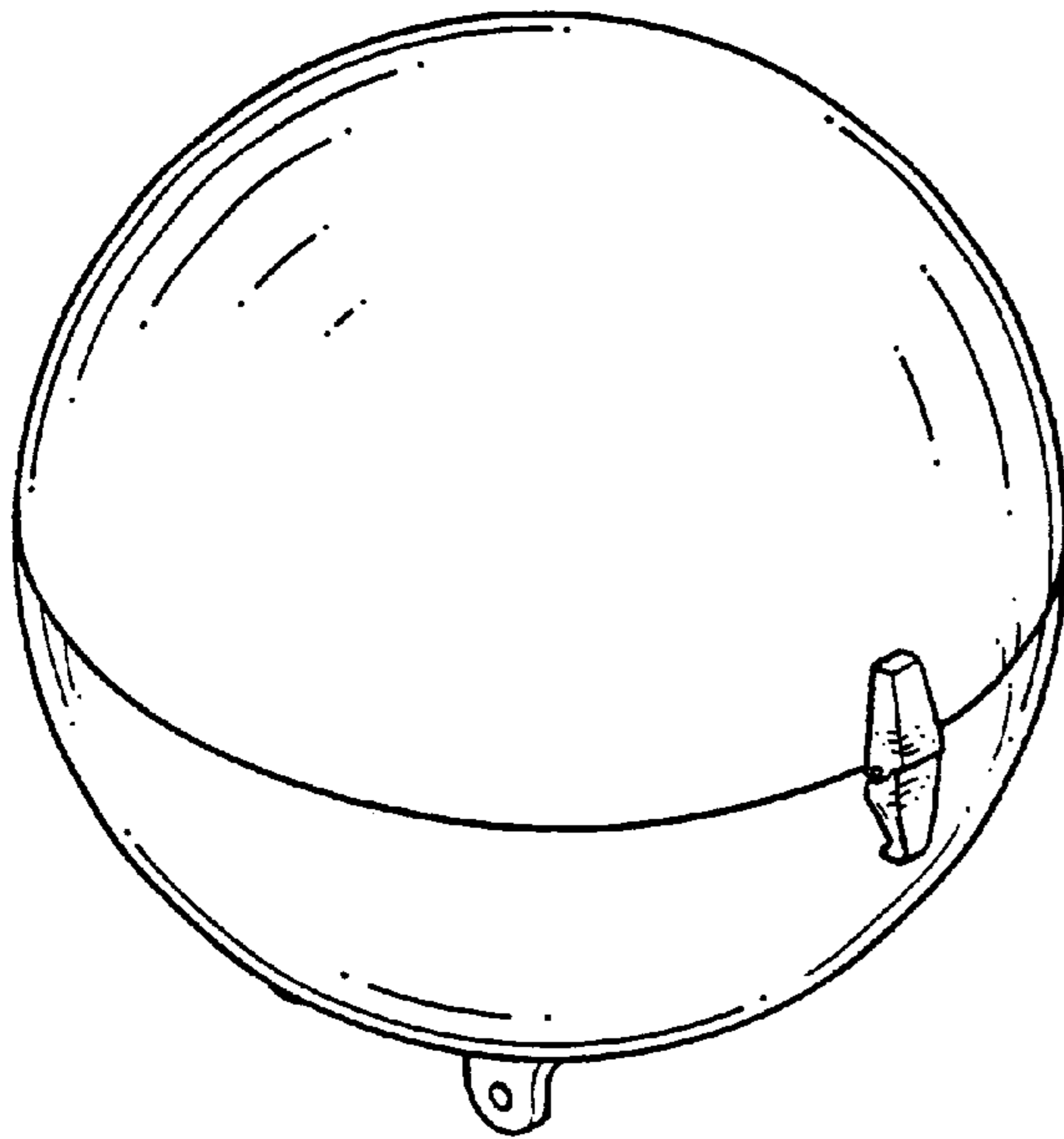
FIG. 3 is a rear elevational view thereof;

FIG. 4 is a top plan view thereof;

FIG. 5 is a bottom plan view thereof; and,

FIG. 6 is a left side elevational view thereof, the right side being a mirror image of that shown.

1 Claim, 3 Drawing Sheets



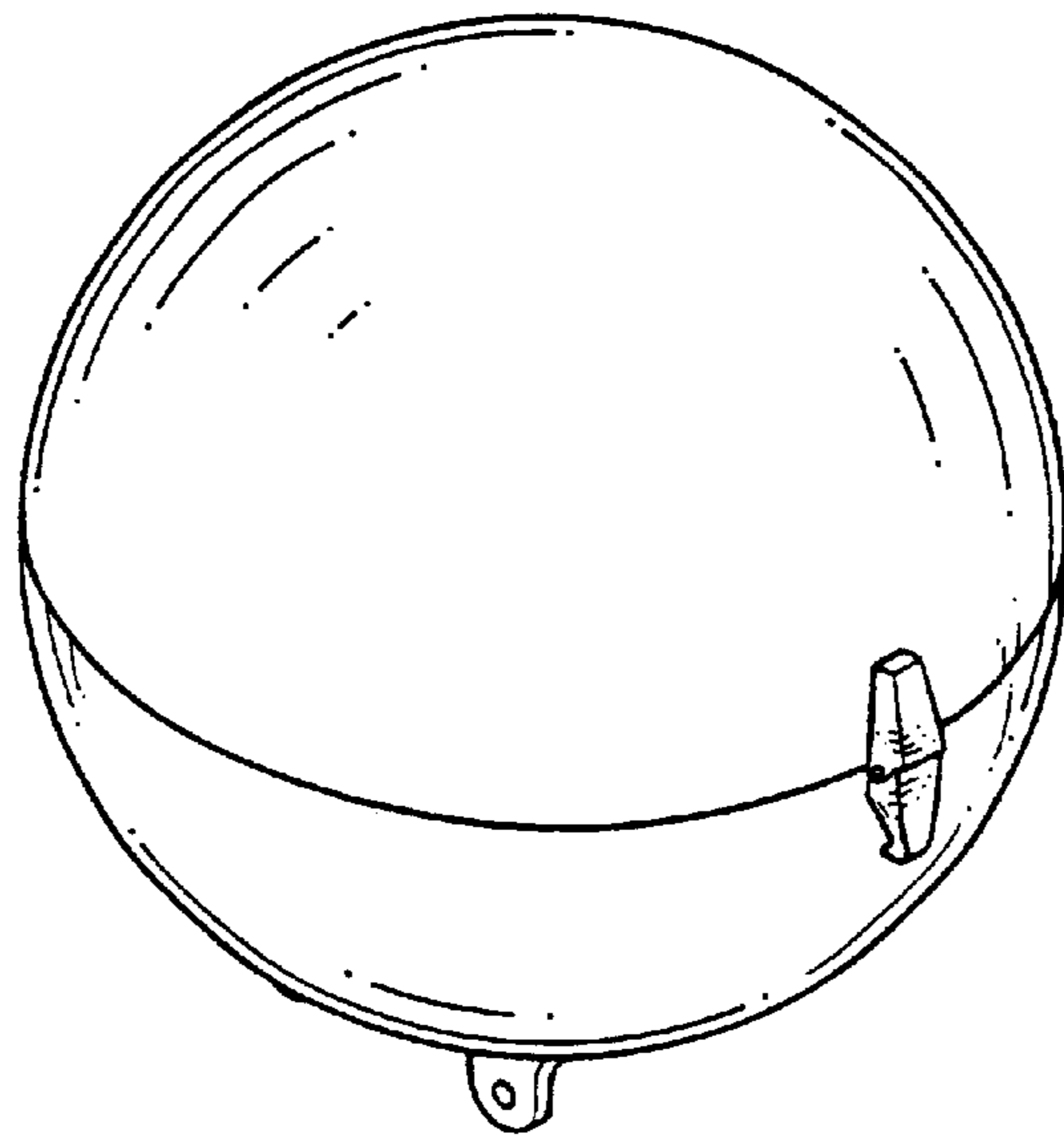


FIG. 1

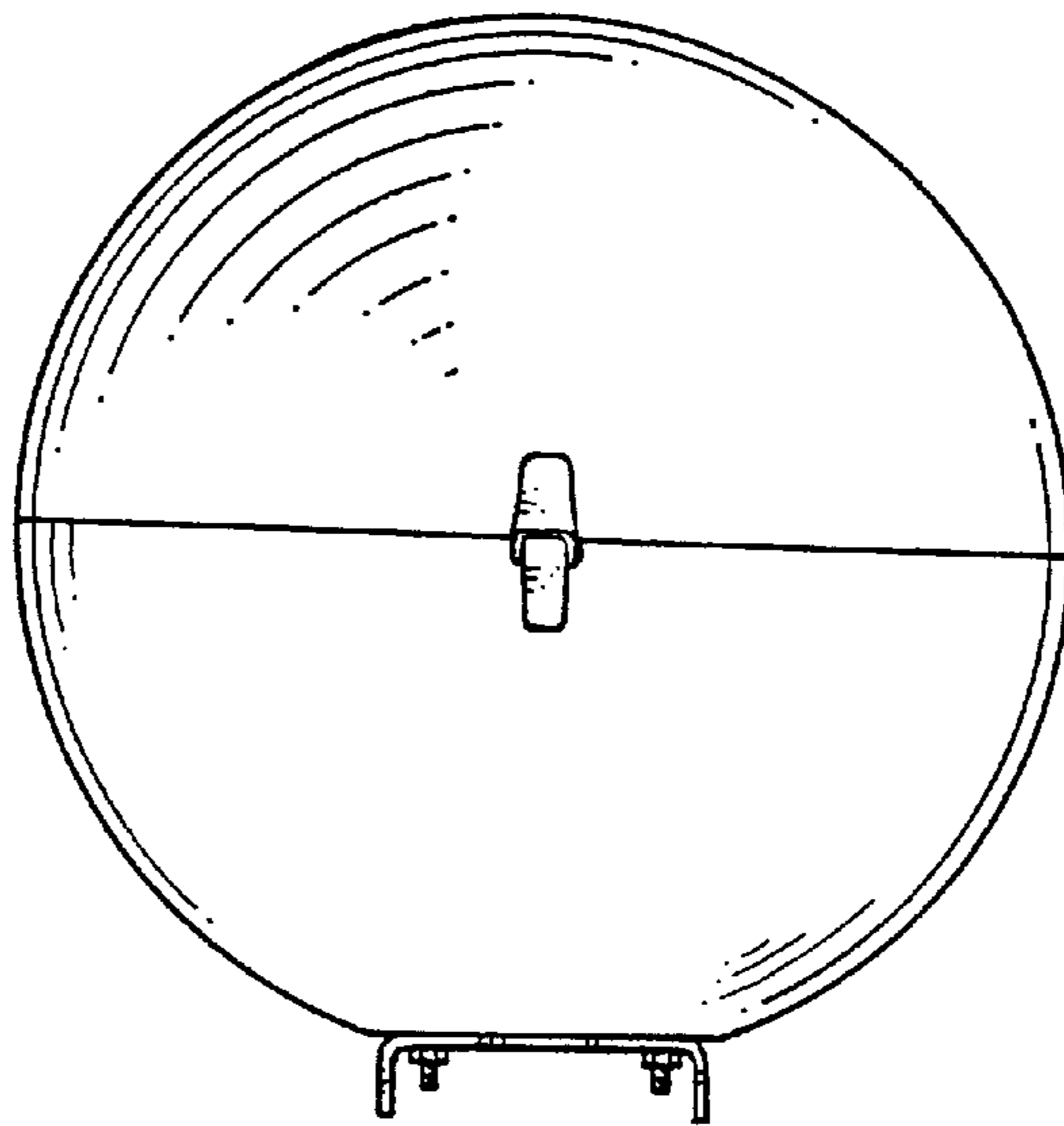


FIG. 2

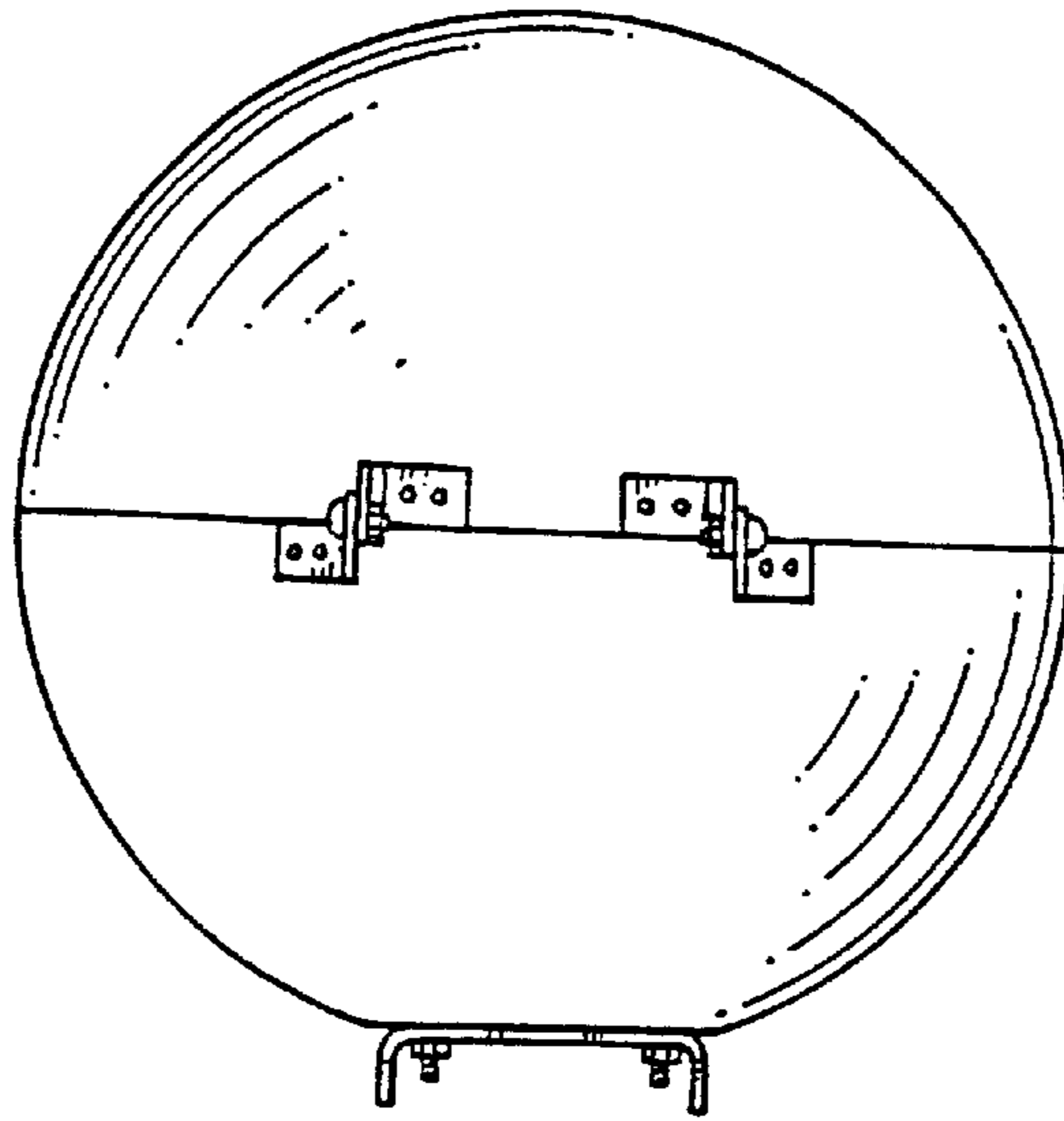


FIG. 3

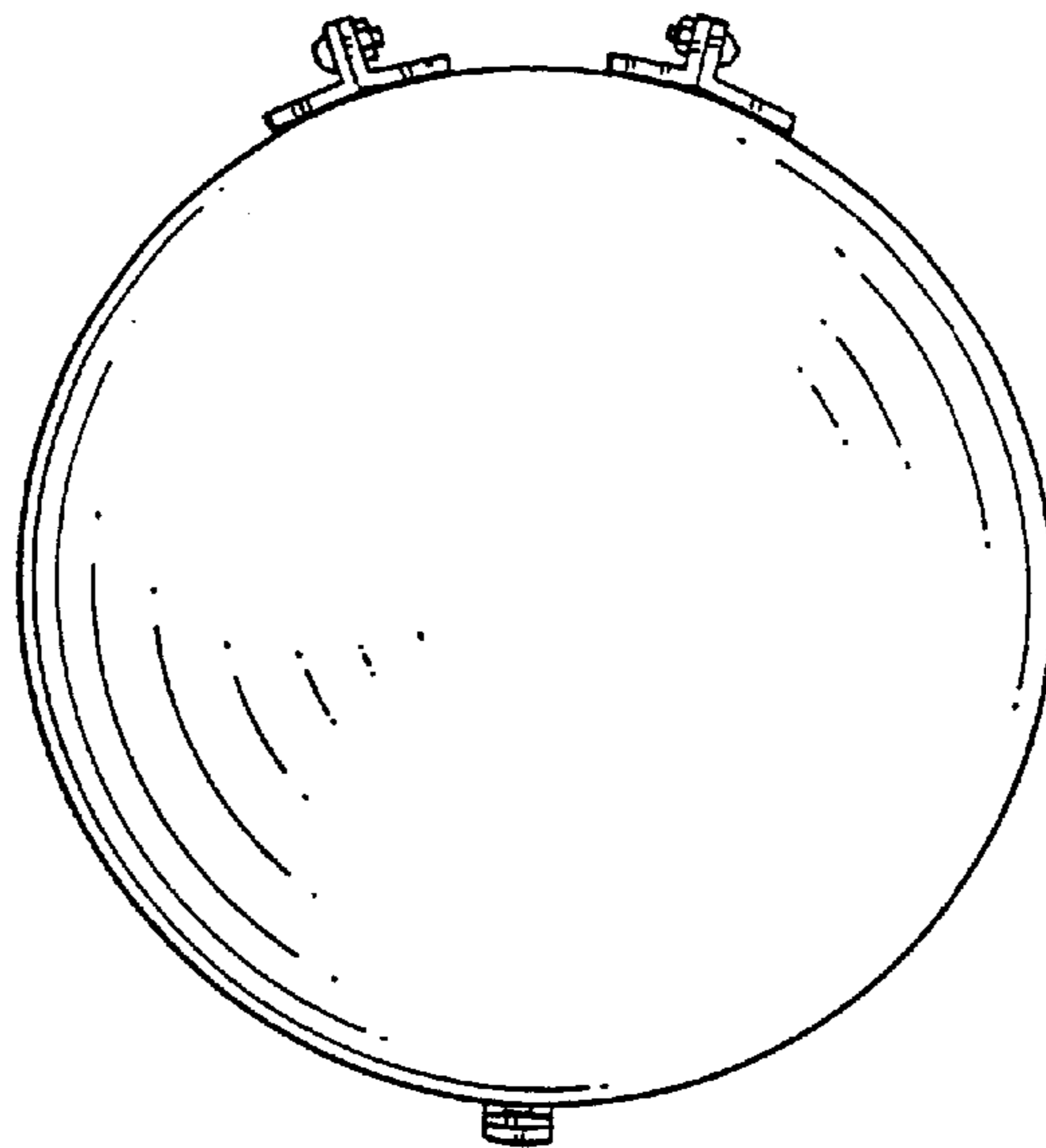


FIG. 4

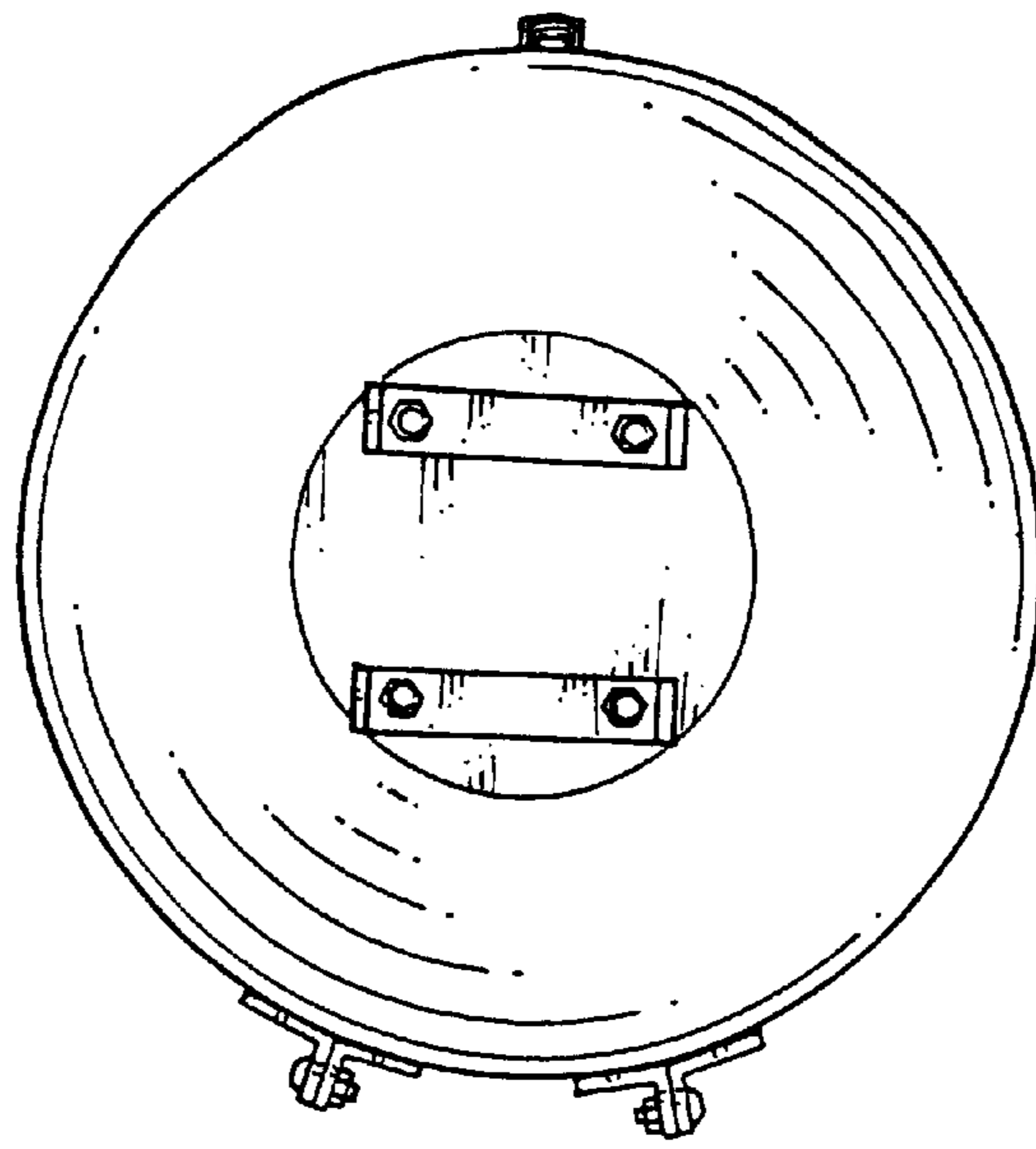


FIG. 5

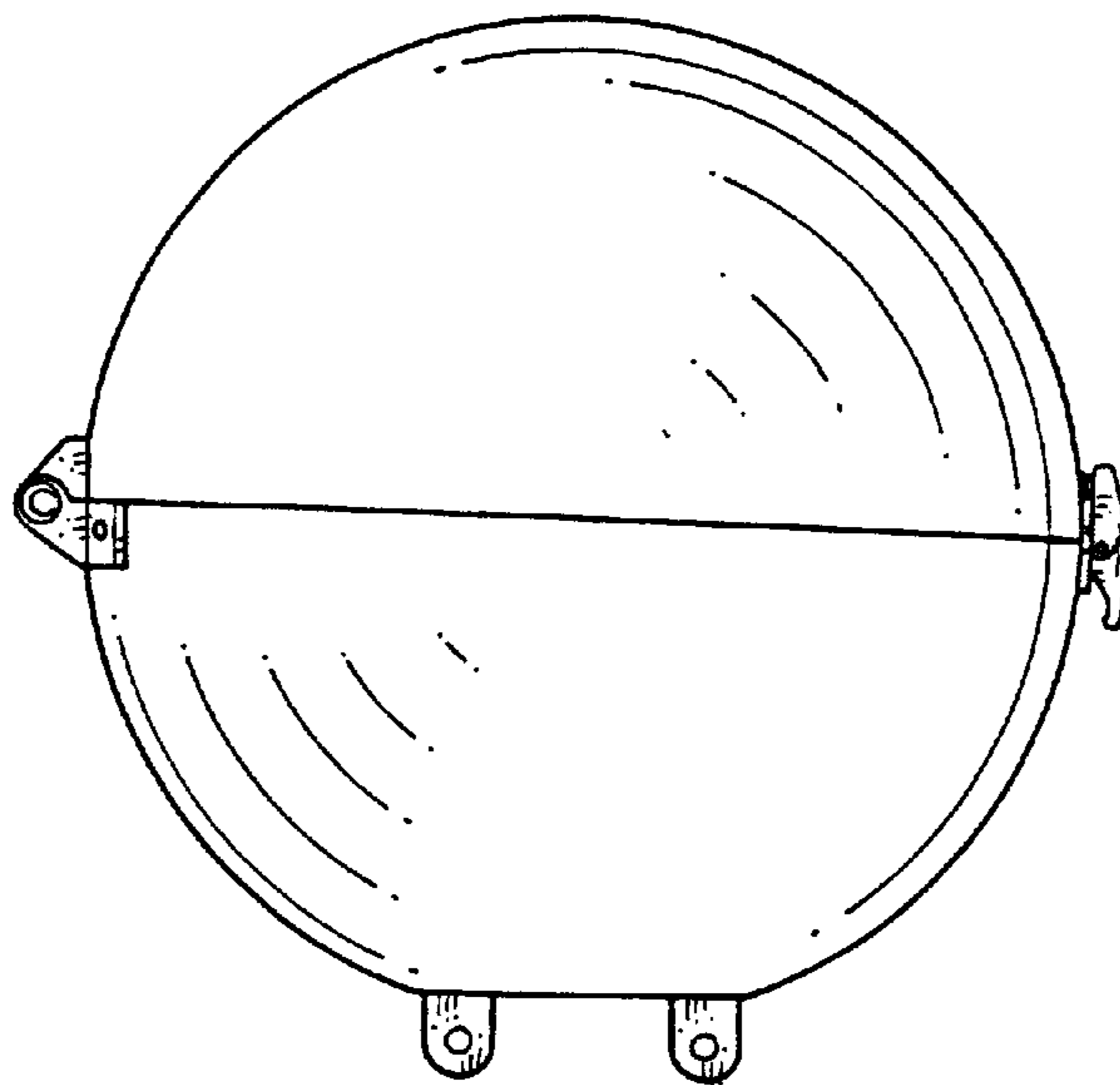


FIG. 6