



US00D447106B1

(12) **United States Design Patent**
Chung

(10) **Patent No.:** **US D447,106 S**

(45) **Date of Patent:** **** Aug. 28, 2001**

(54) **AUTOMOTIVE WHEEL**

(75) **Inventor:** **Suny Chung**, Placentia, CA (US)

(73) **Assignee:** **MKW Alloy, Inc.**, City of Industry, CA (US)

(**) **Term:** **14 Years**

(21) **Appl. No.:** **29/117,012**

(22) **Filed:** **Jan. 18, 2000**

(51) **LOC (7) Cl.** **12-16**

(52) **U.S. Cl.** **D12/209**

(58) **Field of Search** D12/204-211;
301/37.1, 64.1, 65

D. 418,799	*	1/2000	Chung	D12/211
D. 419,941	*	2/2000	Chung	D12/209
D. 425,849	*	5/2000	Chung	D12/209
D. 425,850	*	5/2000	Chung	D12/211
D. 432,480	*	10/2000	Chung	D12/209
D. 434,712	*	12/2000	Chung	D12/209
D. 435,005	*	12/2000	Chung	D12/209
D. 442,532	*	5/2001	Chung	D12/209
D. 442,536	*	5/2001	Chung	D12/211

* cited by examiner

Primary Examiner—Stacia Cadmus

(74) *Attorney, Agent, or Firm*—G. Donald Weber, Jr.

(57) **CLAIM**

The ornamental design for an automotive wheel, as shown and described.

(56) **References Cited**

U.S. PATENT DOCUMENTS

D. 84,319	*	6/1931	Beutke et al.	D12/209
D. 84,322	*	6/1931	Beutke et al.	D12/209
D. 388,047	*	12/1997	Pfeiffer et al.	D12/211
D. 407,681	*	4/1999	Sacco et al.	D12/209
D. 408,346	*	4/1999	Goplen	D12/211
D. 409,548	*	5/1999	Chung	D12/209
D. 418,473	*	1/2000	Chung	D12/211

DESCRIPTION

FIG. 1 is an oblique view of the automotive wheel of the instant invention; and, FIG. 2 is a side elevation view of the automotive wheel of the instant invention. The broken line showing of environment is for illustrative purposes only and forms no part of the claimed design.

1 Claim, 1 Drawing Sheet

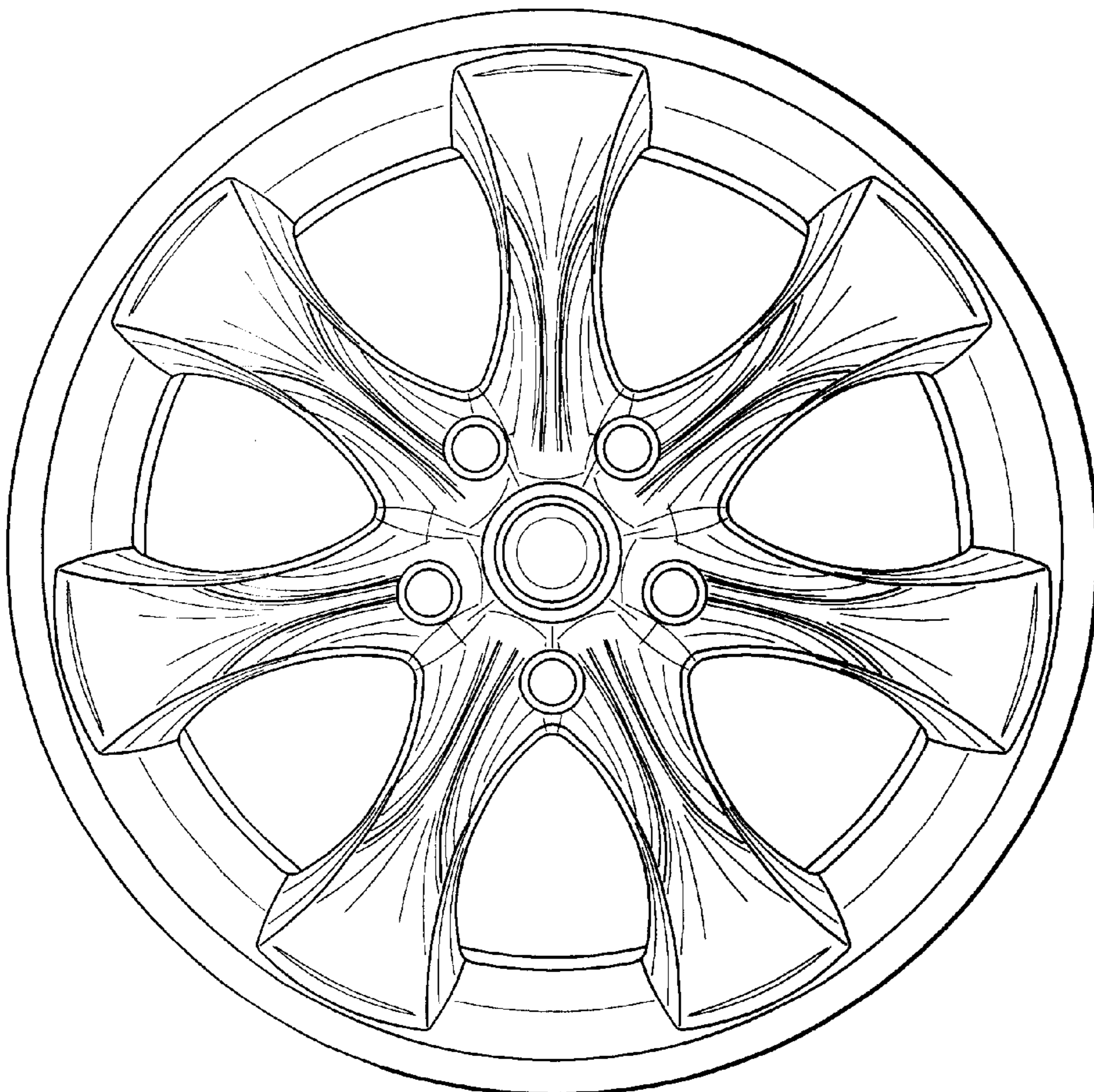


Fig. 1

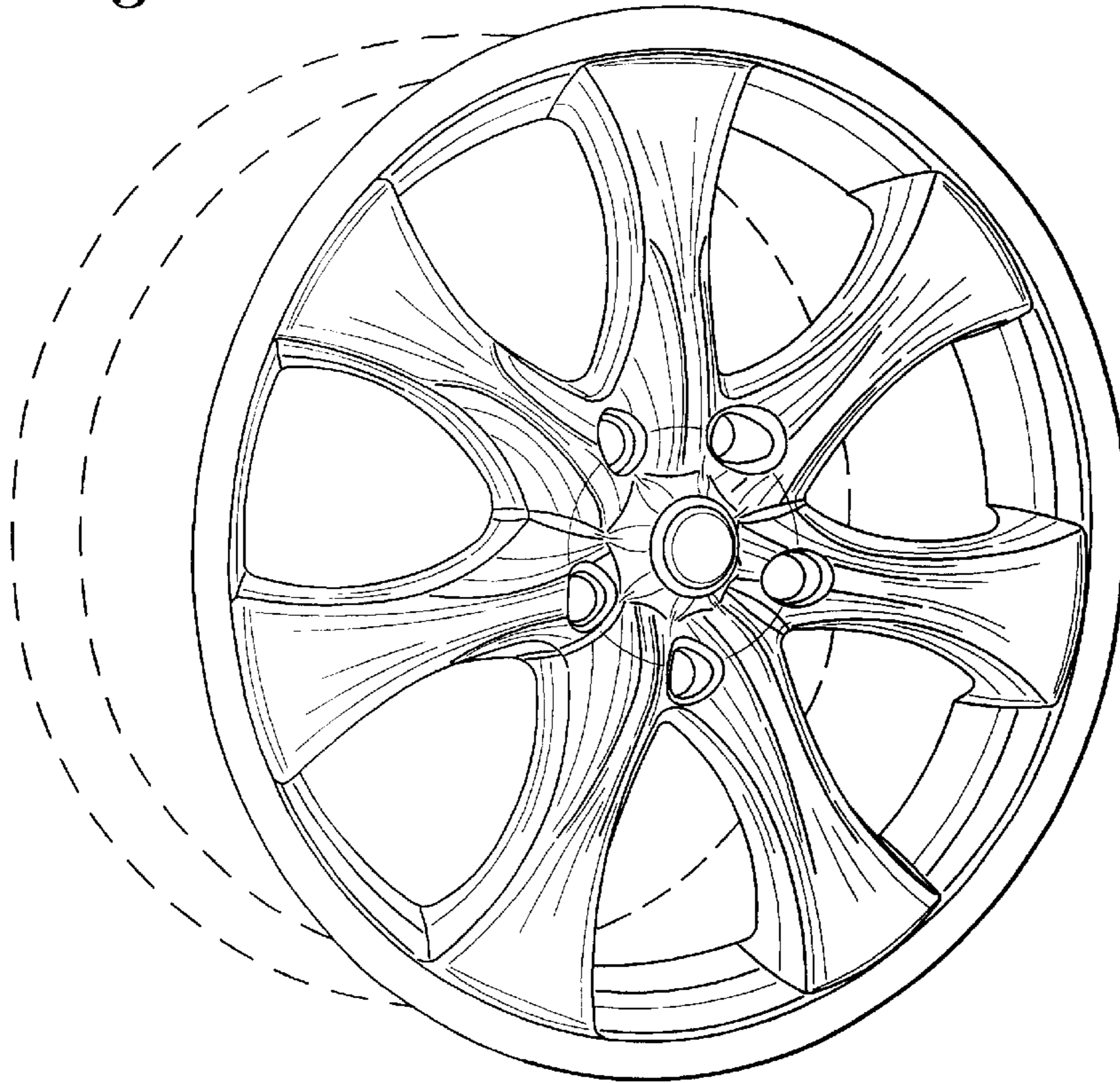


Fig. 2

