



US00D447099B1

(12) **United States Design Patent**  
**Tirey et al.**

(10) **Patent No.:** **US D447,099 S**

(45) **Date of Patent:** **\*\* Aug. 28, 2001**

(54) **GRILLE OF A TRUCK VEHICLE**  
(75) **Inventors:** **Robert S. Tirey; L. David Allendorph,**  
both of Fort Wayne, IN (US); **Donald**  
**DeFossett,** Bloomfield Hills, MI (US);  
**Franz Mueller,** Fort Wayne; **Robert**  
**M. Zimmerman,** Kendallville, both of  
IN (US)

(73) **Assignee:** **Navistar International Transportation**  
**Corp,** Chicago, IL (US)

(\*\*) **Term:** **14 Years**

(21) **Appl. No.:** **29/130,662**

(22) **Filed:** **Oct. 5, 2000**

(51) **LOC (7) Cl.** ..... **12-16**

(52) **U.S. Cl.** ..... **D12/163**

(58) **Field of Search** ..... D12/163, 216,  
D12/96; 180/68.6

(56) **References Cited**

**U.S. PATENT DOCUMENTS**

- D. 306,421 3/1990 Allendorph et al. .
- D. 306,714 3/1990 Allendorph .
- D. 307,126 4/1990 Allendorph et al. .
- D. 313,784 \* 1/1991 Marlow ..... D12/163
- D. 328,273 7/1992 McGrew, Jr. et al. .

- D. 335,272 5/1993 Allendorph et al. .
- D. 361,968 \* 9/1995 Oyama ..... D12/163
- D. 391,908 3/1998 Allendorph et al. .
- D. 394,624 5/1998 Allendorph et al. .
- D. 401,198 11/1998 Mueller et al. .
- D. 403,285 12/1998 Abalos et al. .
- D. 403,620 1/1999 Abalos et al. .
- D. 403,637 1/1999 Abalos et al. .
- D. 405,037 \* 2/1999 Merryman ..... D12/163

\* cited by examiner

*Primary Examiner*—Melody N. Brown

(74) *Attorney, Agent, or Firm*—Jeffrey P. Calfa; Dennis  
Kelly Sullivan Gilberto Hernandez; Neil T. Powell

(57) **CLAIM**

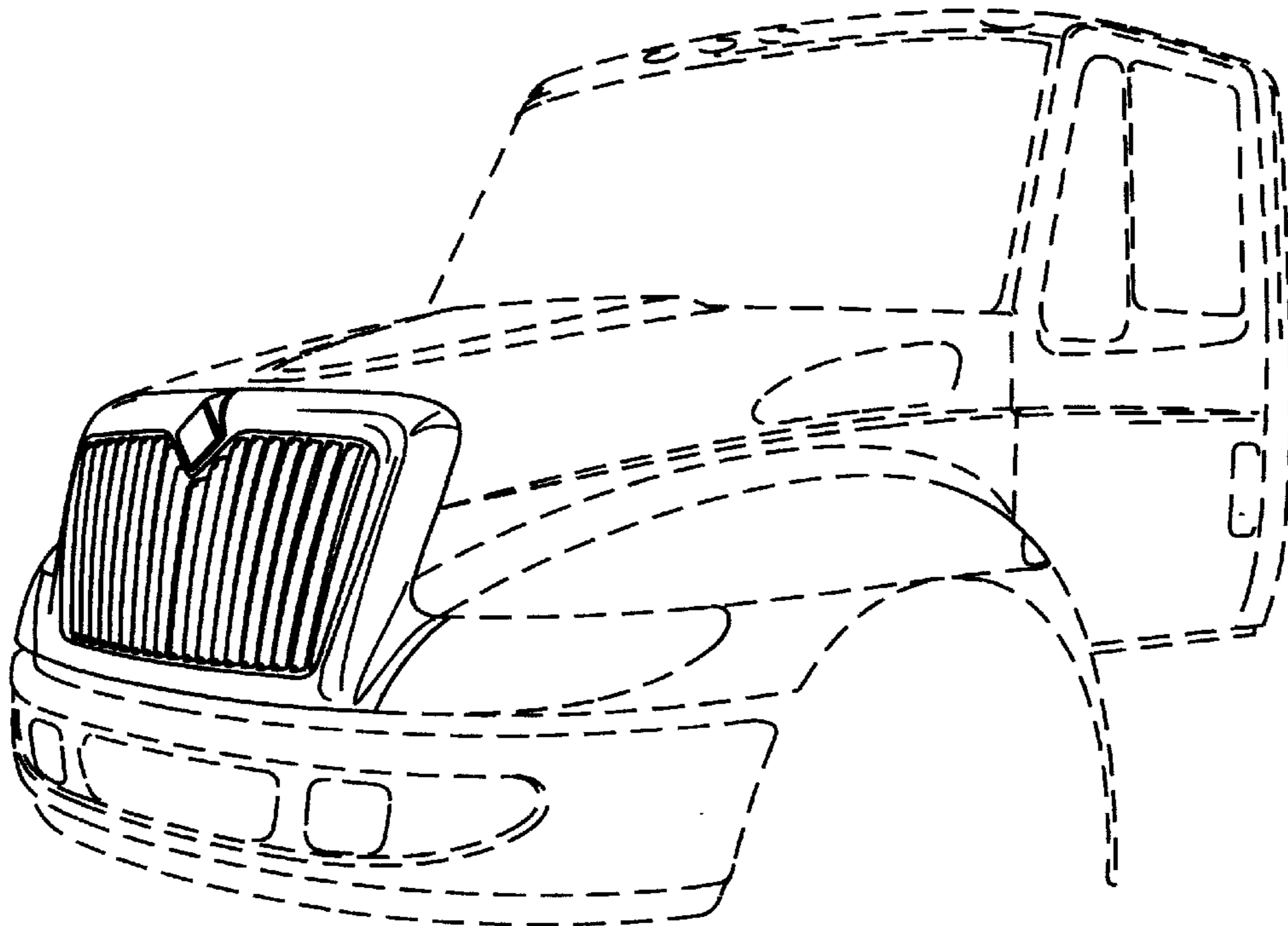
The ornamental design for a grille of a truck vehicle, as  
shown and described.

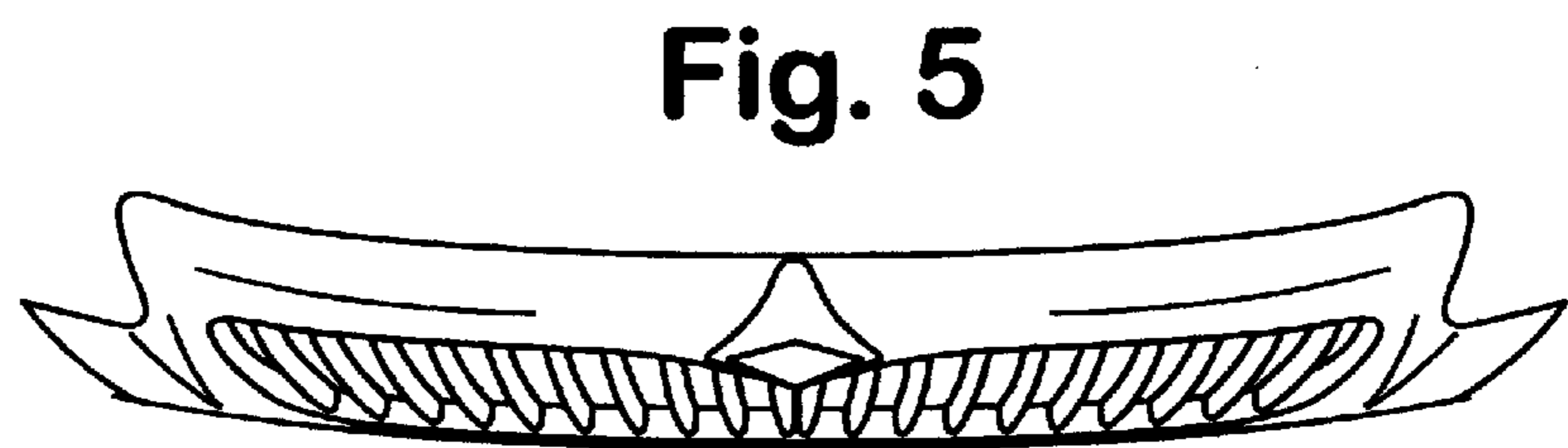
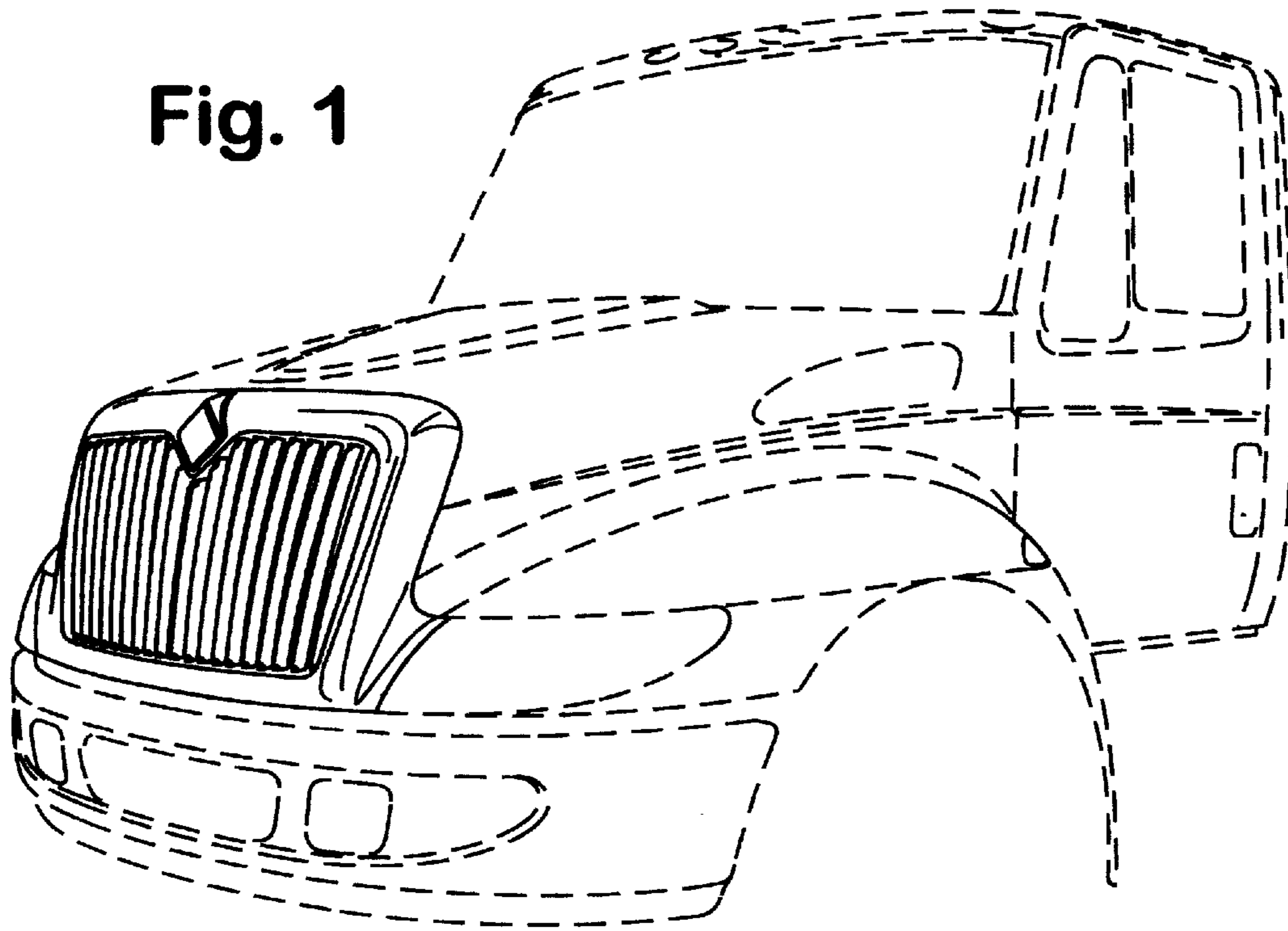
**DESCRIPTION**

FIG. 1 is a left, front perspective view of a grille of a vehicle  
truck showing my new design; it may be understood that the  
broken lines on all figures are for illustrative purposes only  
and form no part of the claimed design;

FIG. 2 is a right side view of the invention shown in FIG. 1;  
FIG. 3 is a left side view of the invention shown in FIG. 1;  
FIG. 4 is a front view of the invention shown in FIG. 1; and,  
FIG. 5 is a top view of the invention shown in FIG. 1.

**1 Claim, 2 Drawing Sheets**

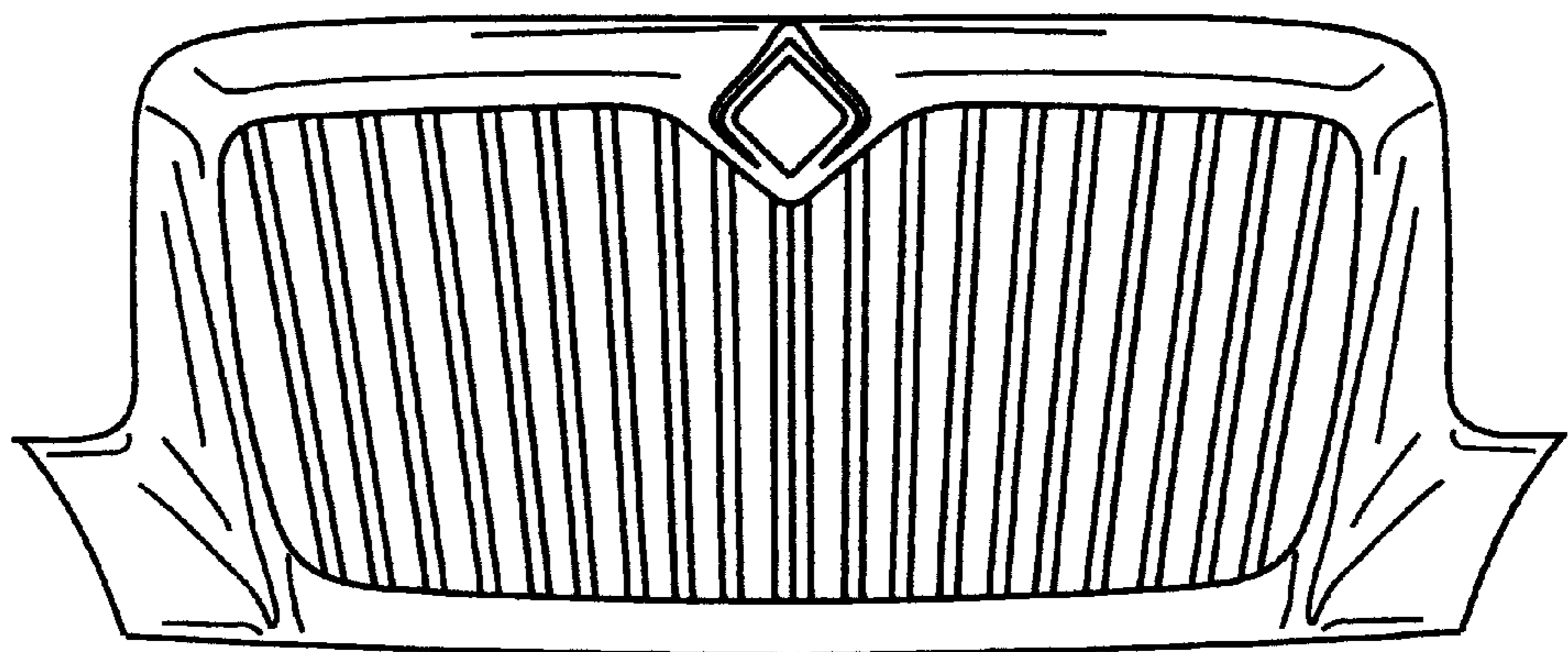




**Fig. 2**



**Fig. 3**



**Fig. 4**