



US00D447096B1

(12) **United States Design Patent**
Ratliff, Jr.

(10) **Patent No.:** **US D447,096 S**

(45) **Date of Patent:** **** Aug. 28, 2001**

(54) **TIRE TREAD**

(75) **Inventor:** **Billy Joe Ratliff, Jr., Akron, OH (US)**

(73) **Assignee:** **The Goodyear Tire & Rubber Company, Akron, OH (US)**

(**) **Term:** **14 Years**

(21) **Appl. No.:** **29/114,497**

(22) **Filed:** **Nov. 24, 1999**

(51) **LOC (7) Cl.** **12-15**

(52) **U.S. Cl.** **D12/147; D12/151**

(58) **Field of Search** **D12/138-152;**
152/209.1, 209.8, 209.9, 209.11, 209.13,
209.28, 900, 901, 902, 903

(56) **References Cited**

U.S. PATENT DOCUMENTS

D. 194,011	*	11/1962	Tiborcz	D12/142
D. 251,837	*	5/1979	Murtinot	D12/143
D. 261,130	*	10/1981	Amarger	D12/147
D. 287,837	*	1/1987	Shintomi	D12/140
D. 300,017	*	2/1989	Collrell	D12/147
D. 309,723	*	8/1990	Nock et al.	D12/146
D. 309,883	*	8/1990	Burnell	D12/143
D. 311,885	*	11/1990	Himuro et al.	D12/146
D. 321,157	*	10/1991	Cottrell	D12/147
D. 324,665	*	3/1992	Davis et al.	D12/146
D. 328,443	*	8/1992	Maxwell et al.	D12/146
D. 328,444	*	8/1992	Grane	D12/147
D. 328,577	*	8/1992	Goergen et al.	D12/143
D. 336,276		6/1993	Fujii	D12/147
D. 338,437		8/1993	Maxwell et al.	D12/147
D. 347,607		6/1994	Montag et al.	D12/147

D. 350,930	9/1994	Sugimoto	D12/147
D. 354,035	1/1995	McKisson	D12/147
D. 354,725	1/1995	McKisson	D12/146
D. 368,684	4/1996	Scarpitti et al.	D12/143
D. 379,791	6/1997	Helnen et al.	D12/147
D. 389,788	1/1998	Galaulo et al.	D12/146
D. 398,887	9/1998	Brown et al.	D12/146
D. 400,130	10/1998	Blankenship et al.	D12/146
D. 418,462	* 1/2000	White	D12/151

OTHER PUBLICATIONS

Yokohama AVS Intermediate Tire, 1998 Tread Design Guide, p. 77. 2/5, Jan. 1998.*

* cited by examiner

Primary Examiner—Robert M. Spear

(74) *Attorney, Agent, or Firm*—T P Lewandowski

(57) **CLAIM**

The ornamental design for a tire tread, as shown and described.

DESCRIPTION

FIG. 1 is a perspective view of a tire tread showing our new design, it being understood that the pattern repeats uniformly throughout the circumference of the tread;

FIG. 2 is a front elevational view thereof;

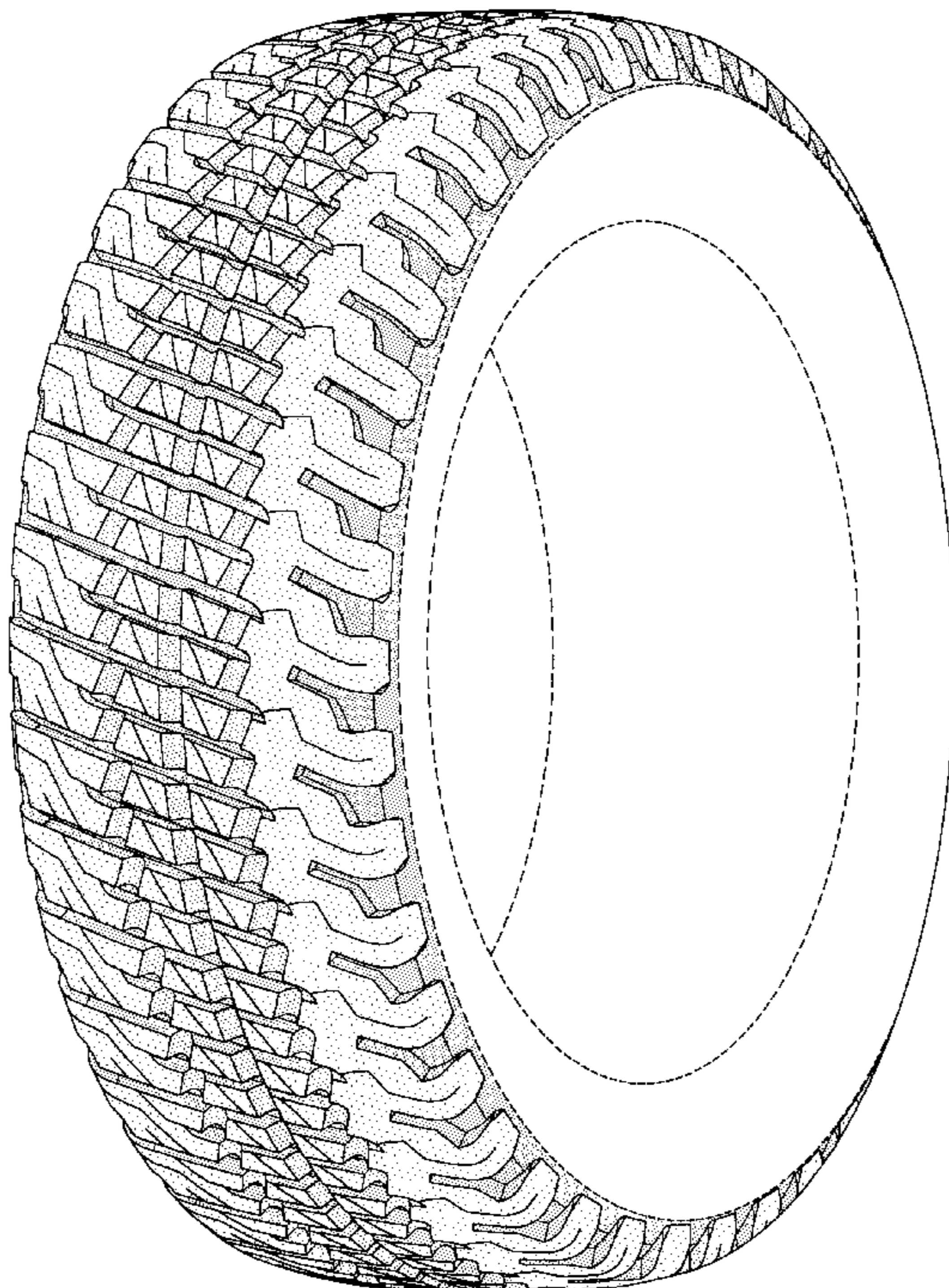
FIG. 3 is a side elevational view thereof;

FIG. 4 is the opposite side elevational view thereof; and,

FIG. 5 is an enlarged fragmentary perspective view.

In the drawings, the broken lines defining the inner bead of the sidewall and the peripheral boundary between the tire tread and the sidewall are for illustrative purposes only and form no part of the claimed design.

1 Claim, 5 Drawing Sheets



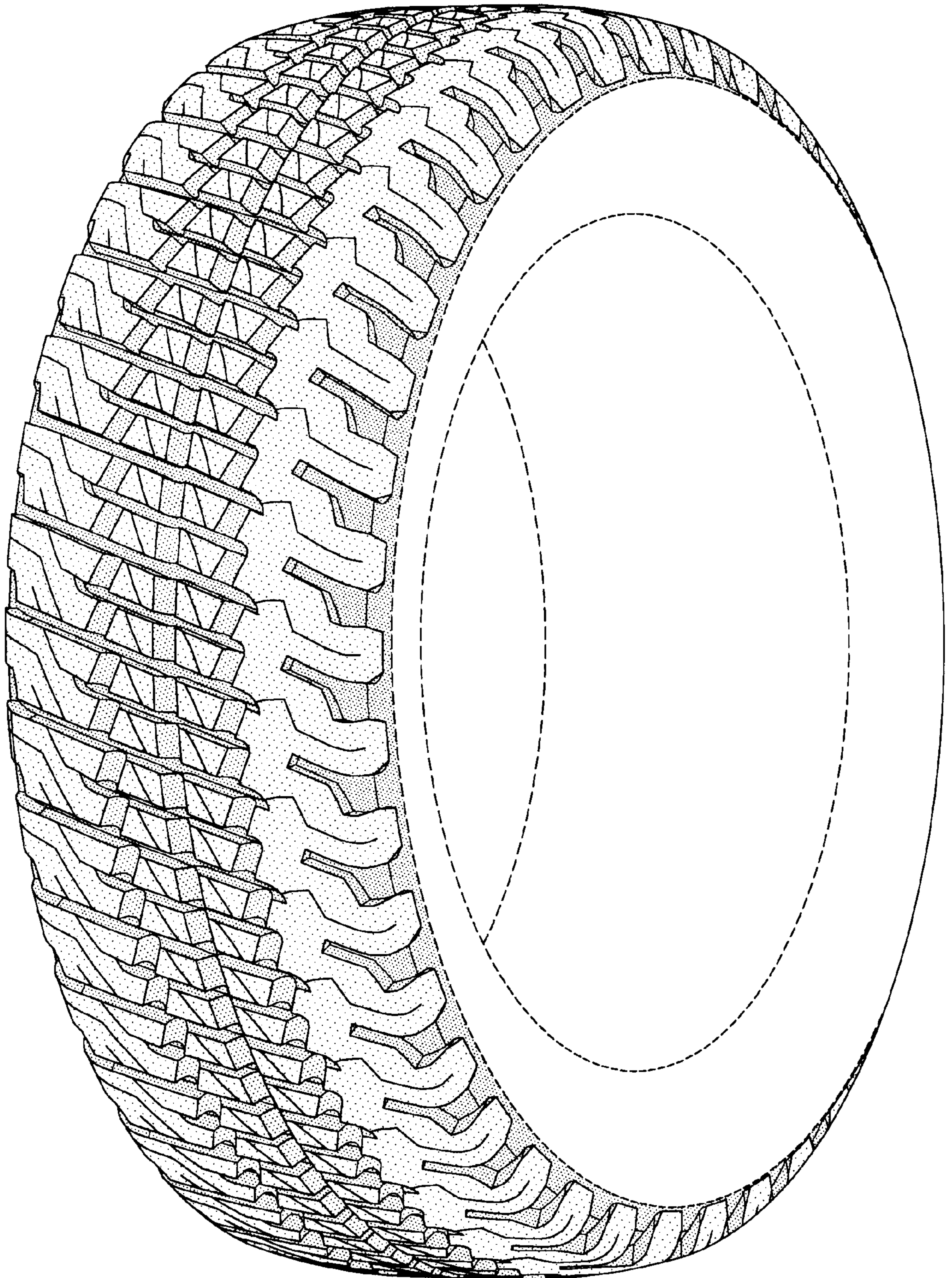


FIG-1

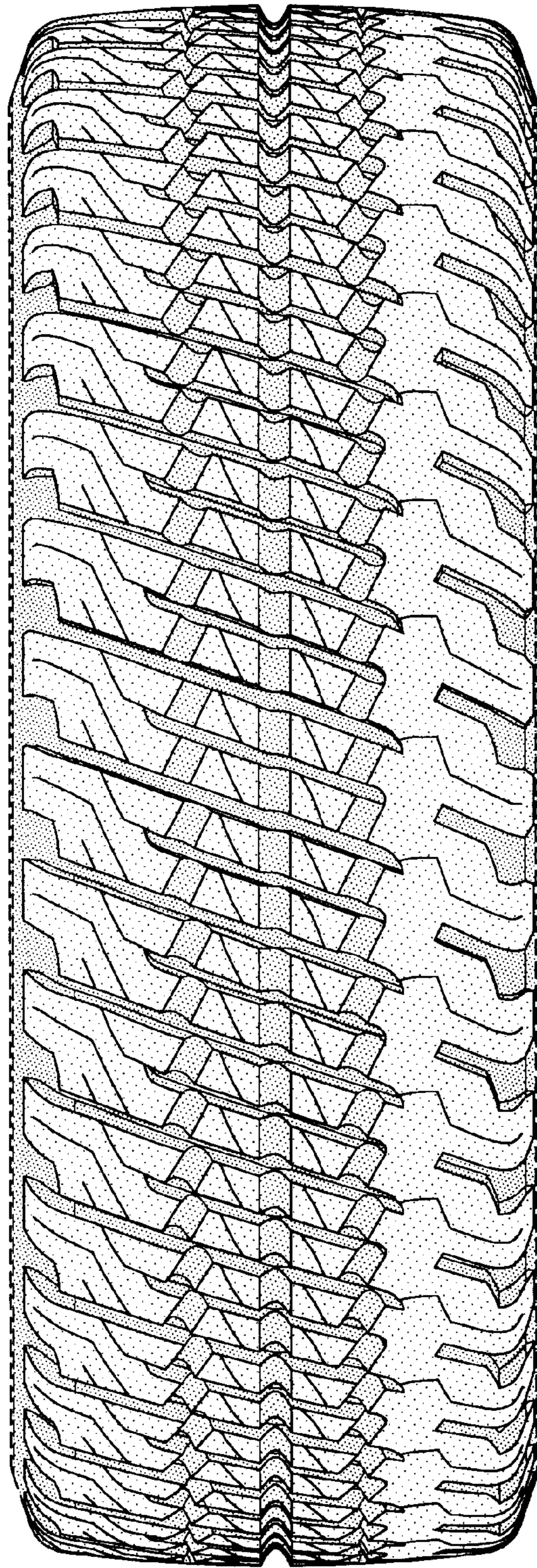


FIG-2

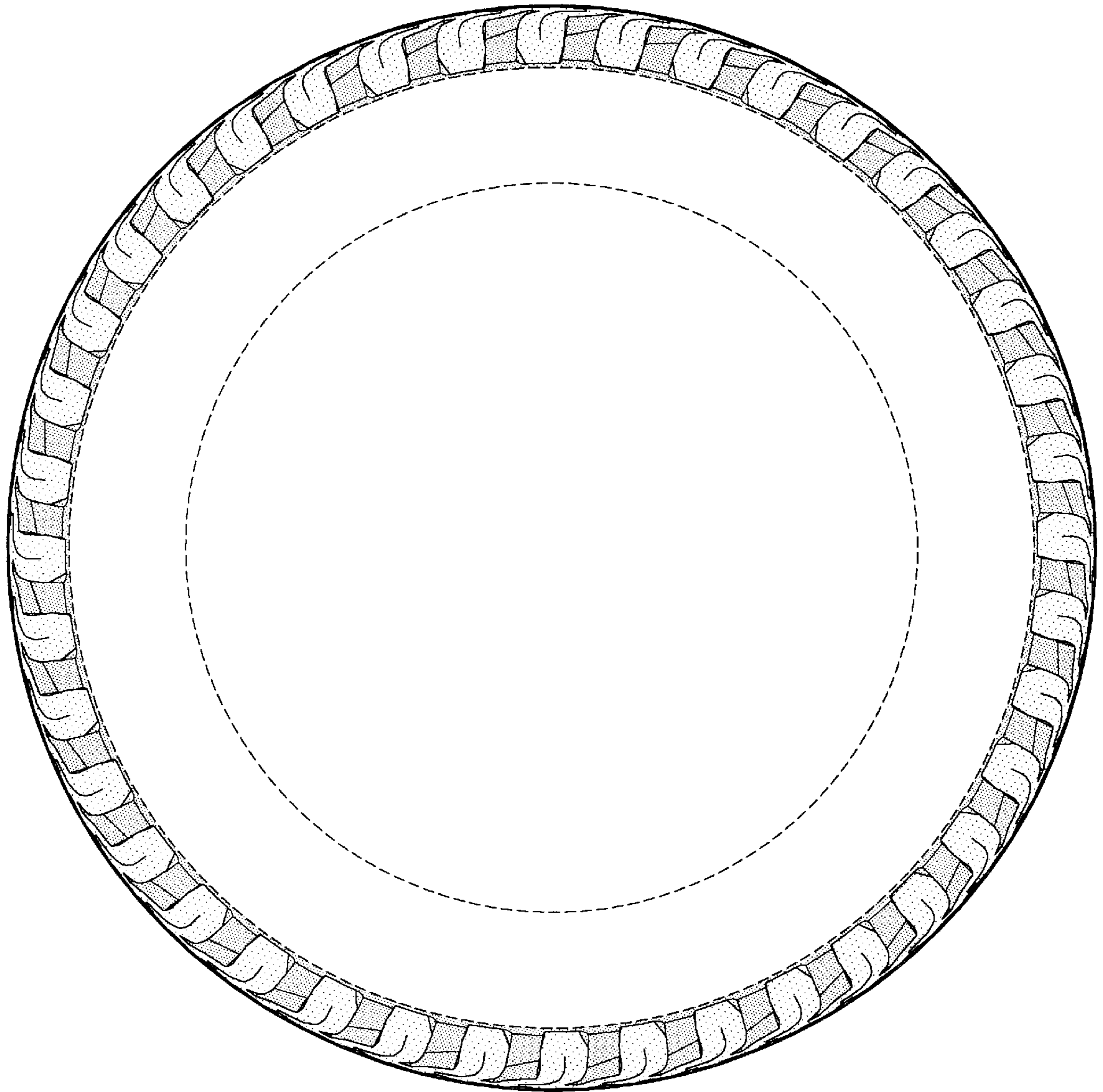


FIG-3

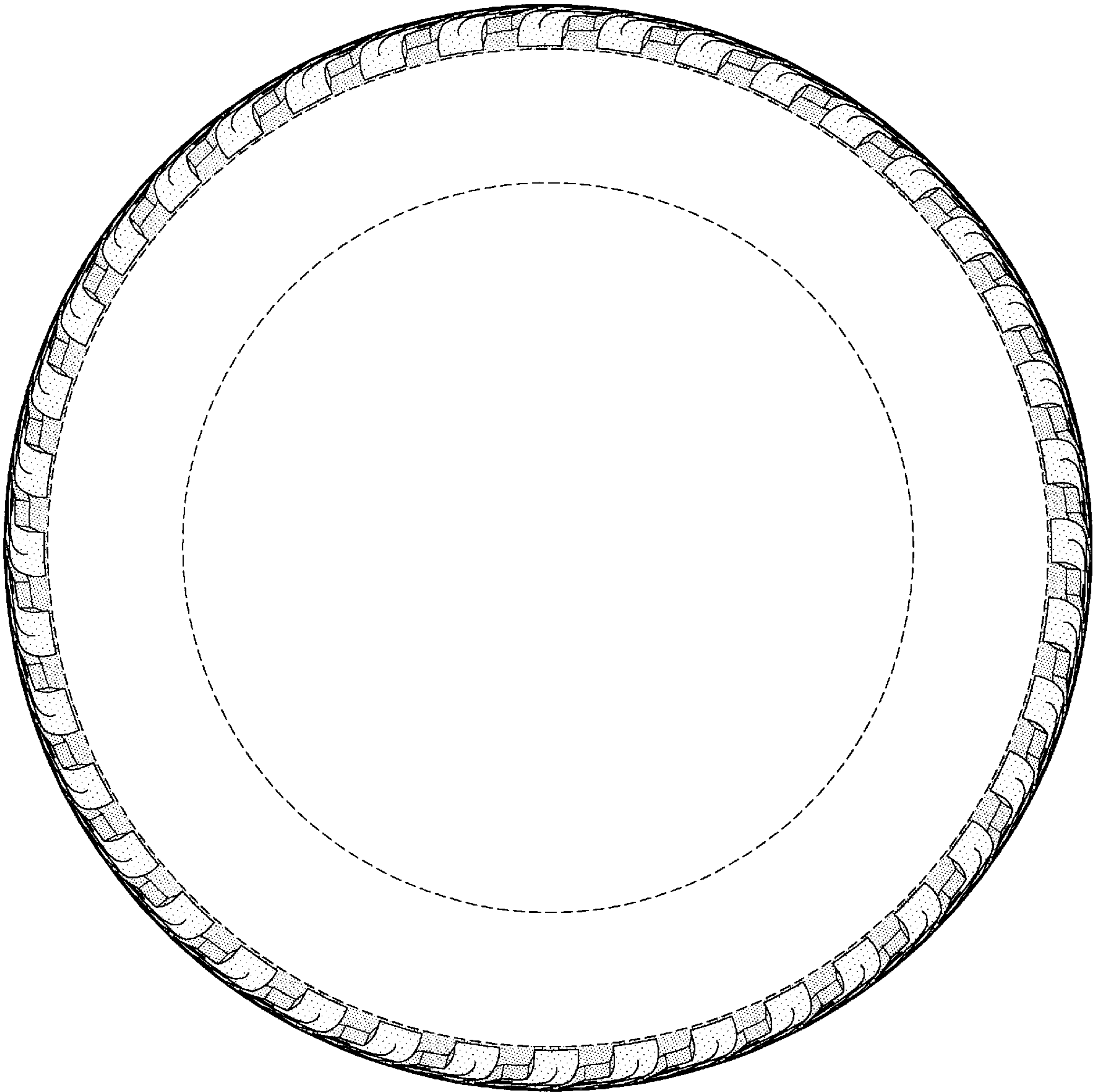


FIG-4

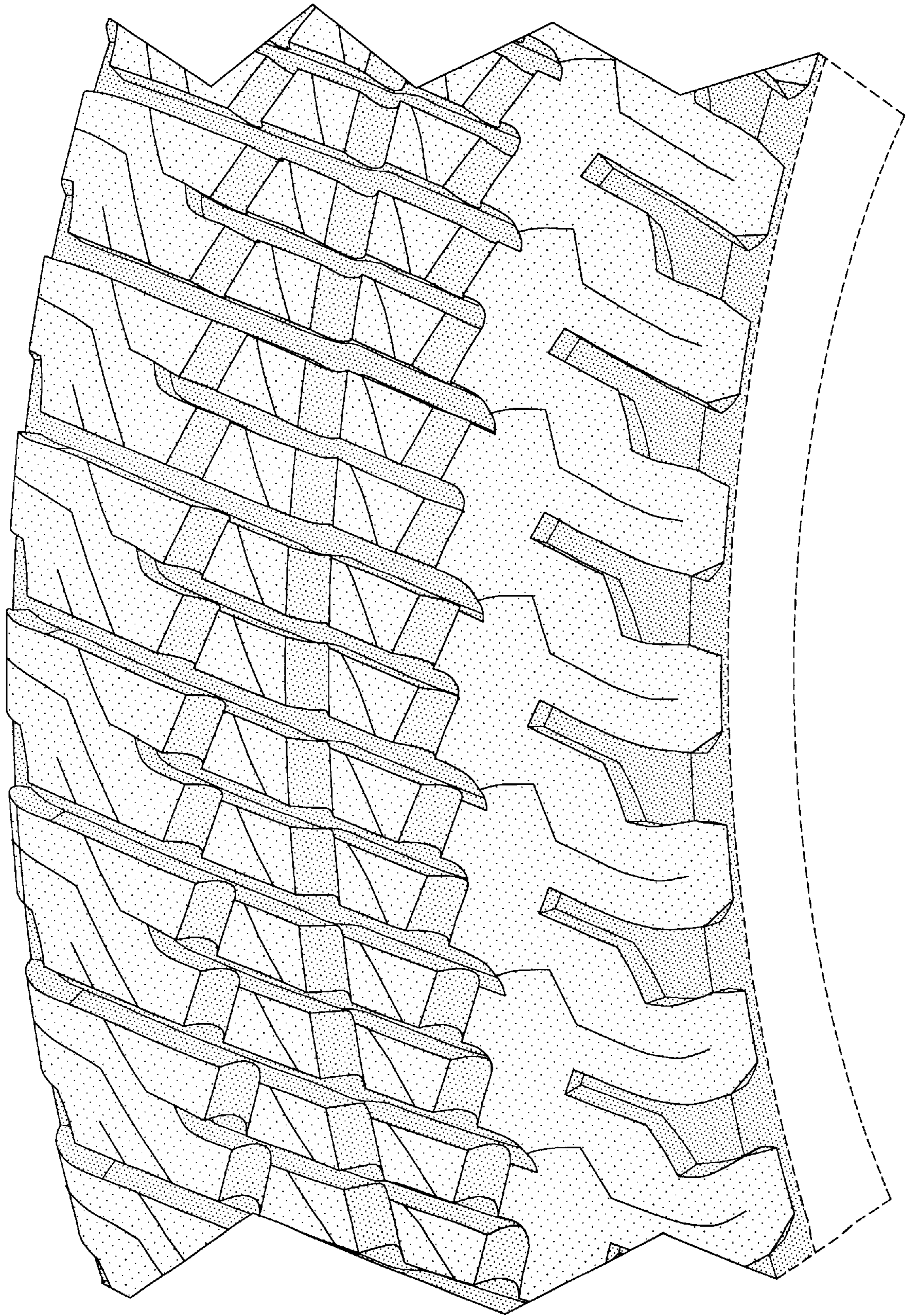


FIG-5